

MONTICELLO NUCLEAR GENERATING PLANT	ODCM-01.01
INTRODUCTION	Revision 10
	Page 1 of 10

Approval: 61600000230

OFFSITE DOSE CALCULATION MANUAL - TABLE OF CONTENTS

<u>SECTION</u>	<u>PAGE</u>
1.0 RECORD OF REVISION	2
2.0 OFF-SITE DOSE CALCULATION MANUAL (ODCM) INTRODUCTION	4
2.1 ODCM Description and Control.....	4
2.2 Licensee Initiated Changes to the ODCM	4
2.3 Definitions	5
2.4 Radiological Effluent Controls And Surveillance Requirement.....	9

MONTICELLO NUCLEAR GENERATING PLANT	ODCM-01.01
INTRODUCTION	Revision 10
	Page 2 of 10

1.0 RECORD OF REVISION

<u>Revision No.</u>	<u>Date</u>	<u>Reason for Revision</u>
1	December - 1998	Corrected typo in reference to 10CFR50.36a on page 2, paragraph 1.
2	October - 2000	Incorporated Tech Spec 6.8.A.1, 6.8.A.2, and 6.8.A.3 relating to ODCM control and the relocated definitions into document.
3	January - 2004	Changed definition of "Member of the Public" to the new 10CFR20 definition.
4	June - 2005	Incorporated changes made during the conversion of the Current Technical Specifications to the Improved Technical Specifications. This includes dual step annotation.
5	March - 2008	Added reference to ISFSI and 10CFR72.104. Removed references to CTS. Revised 2.4.1 to include the 30 day reporting requirement if any of the controls are exceeded.
6	December – 2013	Corrected out of date terminology throughout document. Corrective change to align definition of Dose Equivalent I-131 in 2.3.6 with that given in Technical Specifications, Section 1.1.
7	May - 2015	Corrected definition for Functional/ Functionality to definition from NRC Inspection Manual Chapter 0326. Added definition for Plant Startup to align with Tech Specs, per AR01467719.
8	October - 2015	Changed definition of 'Abnormal Release' to directly agree with Reg. Guide 1.21 Rev. 1 (AR01440121). Added Definition of Reportable Event based on NUREG-1302. Alphabetized Section 2.3, Definitions.
9	November - 2023	Added definition of 'Abnormal Discharge' and revised definition of 'Abnormal Release' to align with the current industry standard, Reg. Guide 1.21 Rev. 3 (QIM 501000073823.) The terms are used interchangeably in Reg Guide 1.21 Rev 1.

MONTICELLO NUCLEAR GENERATING PLANT	ODCM-01.01
INTRODUCTION	Revision 10
	Page 3 of 10

10

November – 2024

Revised Definition of Instrument Functional Test to align with NUREG 1434 Vol 1. Change allows for the insertion of simulated or an actual signal for performance of test.

MONTICELLO NUCLEAR GENERATING PLANT	ODCM-01.01
INTRODUCTION	Revision 10
	Page 4 of 10

2.0 OFF-SITE DOSE CALCULATION MANUAL (ODCM) INTRODUCTION

2.1 ODCM Description and Control

- 2.1.1 In accordance with Tech Spec 5.5.1.a., the ODCM contains the methodology and parameters used in the calculation of off-site doses resulting from radioactive gaseous and liquid effluents, in the calculation of gaseous and liquid effluent monitoring alarm and trip setpoints, and in the conduct of the Radiological Environmental Monitoring Program.
- 2.1.2 In accordance with Tech Spec 5.5.1.b., the ODCM also contains the radioactive effluent controls and radiological environmental monitoring activities and descriptions of the information that should be included in the Radiological Environmental Operating Program report and Radioactive Effluent Release reports required by 10CFR50, Appendix I, and 10CFR50.36a.
- 2.1.3 The ODCM also contains the controls for direct radiation for the plant ISFSI IAW 10CFR72.104.

2.2 Licensee Initiated Changes to the ODCM

- 2.2.1 In accordance with Tech Spec 5.5.1.c., licensee initiated changes to the ODCM **SHALL** be documented and records of review performed **SHALL** be retained. This documentation **SHALL** contain:
- A. Sufficient information to support the change(s) together with the appropriate analyses or evaluations justifying the change(s), and
 - B. A determination that the change(s) maintain the levels of radioactive effluent control required by 10CFR20.1302, 40CFR190, 10CFR50.36a, 10CFR72.104, and 10CFR50, Appendix I, and not adversely impact the accuracy or reliability of effluent, dose, or setpoint calculations.
- 2.2.2 Changes **SHALL** become effective after review and approval by the Plant Manager.
- 2.2.3 Changes **SHALL** be submitted to the NRC in the form of a complete, legible copy of the entire ODCM as a part of or concurrent with the Radioactive Effluent Release Report for the period of the report in which any change in the ODCM was made. Each change **SHALL** be identified by markings in the margin of the affected pages, clearly indicating the area of the page that was changed, and **SHALL** indicate the date (i.e., month and year) the change was implemented.

MONTICELLO NUCLEAR GENERATING PLANT	ODCM-01.01
INTRODUCTION	Revision 10
	Page 5 of 10

2.3 Definitions

2.3.1 Abnormal Discharge

The unplanned or uncontrolled emission of an effluent (i.e., containing plant-related, licensed radioactive material) into the unrestricted area.

2.3.2 Abnormal Release

The unplanned or uncontrolled emission of an effluent (i.e., containing plant-related, licensed radioactive material) into the onsite environs.

2.3.3 Action

ACTION **SHALL** be that part of a control which prescribes required actions to be taken under designated conditions within specified completion times.

2.3.4 Batch Release

A BATCH RELEASE is a discharge of liquid or gaseous radioactive effluent of a discrete volume. Prior to sampling for analysis, each batch **SHALL** be isolated and thoroughly mixed to assure representative sampling.

2.3.5 Composite Sample

A COMPOSITE SAMPLE is one in which the quantity of liquid sampled is proportional to the quantity of liquid waste discharged and in which the method of sampling employed results in a specimen which is representative of the liquids released.

2.3.6 Dose Equivalent I-131

See Section 1.1 of the Technical Specifications for the Monticello Nuclear Generating Plant.

2.3.7 Exclusion Area Boundary

The EXCLUSION AREA BOUNDARY is the same as the Site Boundary described in ODCM-03.01 Figure 1. The EXCLUSION AREA is the area encompassed by the EXCLUSION AREA BOUNDARY.

MONTICELLO NUCLEAR GENERATING PLANT	ODCM-01.01
INTRODUCTION	Revision 10
	Page 6 of 10

2.3.8 Functional - Functionality

Functionality is an attribute of an SSC(s) that is not controlled by TSs. An SSC not controlled by TSs is functional or has functionality when it is capable of performing its function(s) as set forth in the Current Licensing Basis (CLB). These CLB function(s) may include the capability to perform a necessary and related support function for an SSC(s) controlled by TSs.

2.3.9 Instrument Calibration

An instrument calibration means the adjustment of an instrument signal output so that it corresponds, within acceptable range, accuracy, and response time to a known value(s) of the parameter which the instrument monitors. Calibration **SHALL** encompass the entire instrument including actuation, alarm or trip.

2.3.10 Instrument Functional Test

An instrument functional test shall be the injection of a simulated or actual signal into the channel as close to the primary sensor as practicable to verify proper instrument channel response, alarm, and/or initiating action.

2.3.11 Liquid Radwaste Treatment System

The LIQUID RADWASTE TREATMENT SYSTEM **SHALL** be any system designed and installed to reduce radioactive effluents by holdup or collecting radioactive materials by means of filtering, evaporation, ion exchange or chemical reaction for the purpose of reducing the total radioactivity prior to release to the environment.

2.3.12 Long Term Release

“Long-term” refers to releases that are generally continuous and stable in release rate with some anticipated variation (i.e., < 50%, based on a running monthly average) in release rate, such as is experienced in normal ventilation system effluents at nuclear power plants. Determination of doses due to long-term releases should use the historical annual average relative concentration (χ/Q) based on meteorological data summarized, as recommended in Regulatory Guide 1.111.

MONTICELLO NUCLEAR GENERATING PLANT	ODCM-01.01
INTRODUCTION	Revision 10
	Page 7 of 10

2.3.13 Member Of The Public

MEMBER OF THE PUBLIC is any individual except when that individual is receiving an occupational dose.

2.3.14 Offgas Treatment System

The OFFGAS TREATMENT SYSTEM **SHALL** be any system designed and installed to reduce radioactive effluents by collecting primary coolant system offgas from the primary system and providing for delay or holdup for the purpose of reducing the total radioactivity prior to release to the environment.

2.3.15 Plant Startup

When the plant is in the Startup Mode.

See Table 1.1-1 (MODES) in the Technical Specifications for the Monticello Nuclear Generating Plant.

2.3.16 Purge - Purging

PURGE - PURGING **SHALL** be any controlled process of discharging air or gas from a confinement to maintain temperature, pressure, humidity, concentration or other operating condition, in such a manner that replacement air or gas is required to purify the confinement.

2.3.17 Radiological Environmental Monitoring Program (REMP)

The RADIOLOGICAL ENVIRONMENTAL MONITORING PROGRAM is established for monitoring the radiation and radionuclides in the environs of the plant. The program **SHALL** provide representative measurements of radioactivity in the highest potential exposure pathways and verification of the accuracy of potential exposure pathways and verification of the accuracy of the effluent monitoring program and modeling of the environmental exposure pathways.

2.3.18 Reportable Event

A Reportable Event **SHALL** be any of those conditions specified in Section 50.73 of 10CFR50.

2.3.19 Sensor Check

A qualitative determination of functionality by observation of sensor behavior during operation. This determination **SHALL** include, where possible, comparison with other independent sensor measuring the same variable.

MONTICELLO NUCLEAR GENERATING PLANT	ODCM-01.01
INTRODUCTION	Revision 10
	Page 8 of 10

2.3.20 Short Term Release

“Short-term” refers to releases that are intermittent in radionuclide concentrations or flow, such as releases from drywell purges and systems or components with infrequent use. Short-term releases may be due to operational variations which result in radioactive releases greater than 50% of the releases normally considered as long-term. Short-term releases from these sources during normal operation, including anticipated operational occurrences, are defined as those which occur for a total of 500 hours or less in a calendar year but not more than 150 hours in any quarter.

2.3.21 Site Boundary

Means a line within which the land is owned, leased, or otherwise controlled by the licensee. The site boundary for liquid releases of radioactive material is defined in ODCM-02.01 (LIQUID EFFLUENT), Figure 1. The site boundary for gaseous releases of radioactive material is defined in ODCM-03.01 (GASEOUS EFFLUENTS), Figure 1.

2.3.22 Source Check

A SOURCE CHECK **SHALL** be the qualitative assessment of channel response when the channel sensor is exposed to a radioactive source.

2.3.23 Unrestricted Area

An UNRESTRICTED AREA means any area at or beyond the site boundary to which access is not controlled by the licensee for purposes of protection of individuals from exposure to radiation and radioactive materials or any area within the site boundary used for residential quarters or industrial, commercial, institutional and/or recreational purposes.

2.3.24 Uranium Fuel Cycle

The URANIUM FUEL CYCLE is defined in 40CFR Part 190.02(b) as: “The operation of milling of uranium ore, chemical conversion of uranium, isotopic enrichment of uranium, fabrication of uranium fuel, generation of electricity by a light-water-cooled nuclear power plant using uranium fuel, and reprocessing of spent uranium fuel, to the extent that these directly support the production of electrical power for public use utilizing nuclear energy, but excludes mining operations, operations at waste disposal sites, transportation of any radioactive material in support of these operations, and the use of recovered non-uranium special nuclear and by-product materials from the cycle.”

MONTICELLO NUCLEAR GENERATING PLANT	ODCM-01.01
INTRODUCTION	Revision 10
	Page 9 of 10

2.3.25 Venting

VENTING **SHALL** be the controlled process of discharging air or gas from a confinement to maintain temperature, pressure, humidity, concentration or other operating condition, in such a manner that replacement air or gas is NOT provided or required.

2.4 Radiological Effluent Controls And Surveillance Requirement

2.4.1 Controls

- A. Compliance with the controls contained within ODCM-02.01, ODCM-03.01 and ODCM-06.01 is required during the conditions specified. Upon failure to meet the control, the associated ACTION requirements **SHALL** be met.
- B. Noncompliance with a control **SHALL** exist when the requirements of the Control and associated ACTION requirements are not met within the specified time interval. If the Control is restored prior to expiration of the specified time interval, completion of the ACTION requirements is not required.
- C. With the calculated dose from the release of radioactive materials in liquid or gaseous effluents exceeding any of the limits of Controls ODCM-02.01 Section 2.2.1, ODCM-03.01 Section 2.2.1, or ODCM 03.01 Section 2.3.1, prepare and submit within 30 days a special report to the Commission which includes the following:
 - 1. Identifies the cause(s) for exceeding the limit(s) and defines the corrective action(s) that has been taken to reduce the release(s).
 - 2. Lists the proposed corrective action(s) to be taken to assure that subsequent releases will be in compliance with the limits.
- D. Noncompliance with a CONTROL and associated ACTION, or a Surveillance Requirement **SHALL** be documented in the annual "Radioactive Effluent Release Report" covering the period of the noncompliance. Documentation of a noncompliance **SHALL** identify the cause of the noncompliance, define the corrective actions taken to correct the noncompliance, and a description of actions taken to prevent recurrence.

MONTICELLO NUCLEAR GENERATING PLANT	ODCM-01.01
INTRODUCTION	Revision 10
	Page 10 of 10

2.4.2 Surveillance Requirements

- A. Surveillance Requirements **SHALL** be met during the conditions specified for individual controls unless otherwise stated in an individual Surveillance Requirement.
- B. Each Surveillance Requirement **SHALL** be performed within the specified time interval with the following exceptions:
 - 1. Specified time intervals between tests may be adjusted plus 25% to accommodate normal test schedules.
- C. Failure to perform a Surveillance Requirement within the allowed surveillance interval, defined by Control B, **SHALL** constitute noncompliance with the FUNCTIONALITY requirements for a Control for operation. The time limits of the ACTION requirements are applicable at the time it is identified that a Surveillance Requirement has not been performed. The ACTION requirements may be delayed for up to 24 hours to permit the completion of the surveillance when the allowable outage time limits of the ACTION requirements are less than 24 hours. Surveillance Requirements do not have to be performed on non-functional equipment.

MONTICELLO NUCLEAR GENERATING PLANT	ODCM-02.01
Liquid Effluents	Revision 18
	Page 1 of 22

Approval: 616000000202

OFFSITE DOSE CALCULATION MANUAL - TABLE OF CONTENTS

<u>SECTION</u>	<u>PAGE</u>
1.0 RECORD OF REVISION	2
2.0 LIQUID EFFLUENTS	5
2.1 Concentration	5
2.2 Dose	6
2.3 Liquid Radwaste Treatment Systems	6
2.4 Liquid Holdup Tanks	7
2.5 Water Storage Ponds	8
2.6 Bases	11
Figure 1 Monticello Nuclear Generating Plant Site Boundary for Liquid Effluents	16
Table 1 Radioactive Liquid Effluent Monitoring Instrumentation Surveillance Requirements	17
Table 2 Radioactive Liquid Waste Sampling and Analysis Program	19
Table 3 Radioactive Liquid Effluent Monitoring Instrumentation	21

MONTICELLO NUCLEAR GENERATING PLANT	ODCM-02.01
Liquid Effluents	Revision 18
	Page 2 of 22

1.0 RECORD OF REVISION

<u>Revision No.</u>	<u>Reason for Revision</u>
1	Corrected reference to Table 2.1-1 from 2.1.2.
2	Incorporated Radiological Effluents Tech Specs section 3.8.A and 4.8.A. into document.
3	Revised Actions 2.2.3 and 2.3.3 to standardize documentation and reporting.
4	Table numbering was restarted to reflect 1, 2 and 3 verses 3, 4 and 5 throughout the document.
5	Incorporated changes made during the conversion of the Current Technical Specifications to the Improved Technical Specifications. This includes dual step annotation.
6	This change is being submitted per GAR 01012990. There are no additional changes to the procedures. This revision is being issued to allow PORC review of changes made in revision 5. Revision bars for revision 5 are maintained for review purposes.
7	Removed references to CTS. Added 30 day reporting requirement to 2.2.3.A Removed duplicate paragraph from Bases section 2.5.1.D. Moved paragraph from 2.5.1.D. to 2.5.1.A.
8	Included frequencies for Flow Instrument Channel Checks in Table 1 IAW NUREG 1302 (Offsite Dose Calculation Manual Guidance) Table 4.3-8. Revised the frequency of Service Water and Discharge Canal grab samples in Table 3 from every 8 hours to 12 hours IAW NUREG 1302 (Offsite Dose Calculation Manual Guidance). Table 3.3-12 Action 37. Created a separate reference to the Service Water Flow Monitor in Table 3 to clarify that only when the Radioactivity Monitor is non-functional that grab samples are required.
9	In Table 3, removed asterisk after "Service Water Discharge Pipe Sample Pump Flow Monitor". The asterisk indicates monitor provided with automatic alarm; this alarm was removed by EC-13285.

MONTICELLO NUCLEAR GENERATING PLANT	ODCM-02.01
Liquid Effluents	Revision 18
	Page 3 of 22

<u>Revision No.</u>	<u>Reason for Revision</u>
10	In Table 3, removed the column for "Service Water Discharge Pipe Sample Pump Flow Monitor." The requirement for a daily Channel Check is listed in Table 1, which is in accordance with NUREG 1302 (Offsite Dose Calculation Manual Guidance) Table 4.3-8. The Channel Check requirement is satisfied by the completion of 0000-J OPERATIONS DAILY LOG-PART J OUTPLANT.
11	Correct out of date terminology throughout document.
12	<p>Added LLD Bases from NUREG-1302.</p> <p>Updated Liquid Effluent Site Boundary Map in Figure 1 making it more legible and consistent with current locations.</p> <p>Clarified and updated the Sample Flow Verification for Service Water Radiation Monitor in Table 1. Clarified Sensor Check applicability for Flow instruments, based on NUREG-1302. Removed daily sample flow verification for Discharge Canal Radiation Monitor.</p> <p>Updated LLD equation to use $\mu\text{Ci/ml}$, rather than pCi/l, consistent with the required LLD in Table 2.</p> <p>Deleted Date column from Record of Revision Section.</p>
13	<p>Revised control in 2.4.1.A to refer to Tech Spec 5.5.7. The ODCM previously referred to Tech Spec 5.5.7.c.</p> <p>Added new section 2.5 for the Water Storage Pond and its associated subsystems in support of the new release system. This includes the transfer system and its associated radiation monitor as well as the leak detection system.</p> <p>Revised Bases to be Section 2.6, originally 2.5, to support new Water Storage Pond section.</p> <p>Added double-walled tanks as an option along with berms in the bases for Temporary Liquid Holdup Tanks, 2.6.1.D.</p> <p>Updated Figure 1 to include the Water Storage Pond.</p> <p>Added Water Storage Pond Transfer System Radioactivity Monitor and Water Storage Pond Leak Detection Monitor and required check frequencies to Table 1.</p> <p>Added Water Storage Pond Transfer System Radioactivity Monitor and Water Storage Pond Leak Detection Monitor and associated actions if minimum channels not functional to Table 3.</p>

MONTICELLO NUCLEAR GENERATING PLANT	ODCM-02.01
Liquid Effluents	Revision 18
	Page 4 of 22

<u>Revision No.</u>	<u>Reason for Revision</u>
14	Revised Water Storage Pond Transfer System section to describe BATCH mode Operation. Removed mention of Water Storage Pond Radioactivity Monitor due to site not installing the monitor yet.
15	Revised language of Section 2.5 to be applicable for the additional Water Storage Ponds. Added new constructed Water Storage Ponds to Table 1. Revised name of Water Storage Pond Leak Detection Monitor to Water Storage Pond #1 Leak Detection Monitor and revised compensatory action to specifically refer to Water Storage Pond #1. Added Water Storage Pond #2A Leak Detection Monitor, associated surveillance requirements, and compensatory actions to Tables 1 and 3.
16	Revised 2.5.2 Water Storage Pond Leak Detection Systems to place a control on the level within the interstitial liner space. Added to Bases Section for the reasons for this change. Revised compensatory actions for Water Storage Pond #1 Leak Detection System and Water Storage Pond #2A Leak Detection System.
17	Revised Action 2.5.2.C.4 to include Water Storage Ponds #2B and #2C. Added Water Storage Pond #2B and #2C Leak Detection Monitors, associated surveillance requirements, and compensatory actions to Tables 1 and 3.
18	Added the Water Storage Pond Transfer System Radioactivity Monitor and Water Storage Pond Transfer System Flow Meter. Defined AUTOMATIC mode operation of the Water Storage Pond Transfer System. Revised Water Storage Pond Transfer System - BATCH mode operation to allow for the Rad Monitor or Flow Meter to take credit for the new equipment for the respective requirements.

MONTICELLO NUCLEAR GENERATING PLANT	ODCM-02.01
Liquid Effluents	Revision 18
	Page 5 of 22

2.0 LIQUID EFFLUENTS

2.1 Concentration

2.1.1 Controls

- A. In accordance with Tech Spec 5.5.3.a, 5.5.3.b, and 5.5.3.c, the concentration of liquid radioactive material released from the site (Figure 1) **SHALL** be limited to ten times the concentration values specified in Appendix B, Table 2, Column 2 of 10CFR20.1001-20.2402 for radionuclides other than dissolved or entrained noble gases. For dissolved or entrained noble gases, the concentration **SHALL** be limited to 2×10^{-4} $\mu\text{Ci/ml}$ total activity.

2.1.2 Applicability

At all times.

2.1.3 Action

- A. When the concentration of radioactive material in liquid released from the site exceeds the above limits, immediately restore the concentration within acceptable limits.
- B. Radioactive material in liquid effluent released from the site **SHALL** be continuously monitored in accordance with Table 3.
- C. The liquid effluent monitors having provisions for automatic alarms as listed in Table 3 **SHALL** be used to limit the concentration of radioactive material released at any time from the site to the values given in 2.1.1.A. Setpoints **SHALL** be determined in accordance with the methods in ODCM-04.01 (Liquid Effluent Calculations).
- D. Report all deviations in the Annual Radioactive Effluent Release Report.

2.1.4 Surveillance Requirements

- A. Radioactive liquid wastes **SHALL** be sampled and analyzed according to the sampling and analysis program of Table 2.
- B. The results of radioactive analysis **SHALL** be used in accordance with the methods of the ODCM to assure that the concentrations at the point of release are maintained within the limits of Control 2.1.1.A.
- C. Liquid effluent monitoring instrumentation surveillance **SHALL** be performed as required by Table 1.

MONTICELLO NUCLEAR GENERATING PLANT	ODCM-02.01
Liquid Effluents	Revision 18
	Page 6 of 22

2.2 Dose

2.2.1 Controls

- A. In accordance with Tech Spec 5.5.3.a, 5.5.3.c, 5.5.3.d, and 5.5.3.e, the dose or dose commitment to a MEMBER OF THE PUBLIC from radioactive material in liquid effluents released from the site **SHALL** be limited to the following values:
1. During any calendar quarter to ≤ 1.5 mrem to the total body and to ≤ 5 mrem to any organ, and
 2. During any calendar year to ≤ 3 mrem to the total body and to ≤ 10 mrem to any organ.

2.2.2 Applicability

At all times.

2.2.3 Action

- A. With the calculated dose from the release of radioactive materials in liquid effluents exceeding any of the above limits, document and report IAW ODCM-01.01, Section 2.4.1.C.

2.2.4 Surveillance Requirements

- A. Cumulative dose contributions for the current calendar quarter and current calendar year **SHALL** be determined monthly in accordance with the ODCM.

2.3 Liquid Radwaste Treatment Systems

2.3.1 Controls

- A. In accordance with Tech Spec 5.5.3.a, 5.5.3.c, and 5.5.3.f, the LIQUID RADWASTE TREATMENT SYSTEM **SHALL** be used to reduce the radioactive materials in liquid wastes prior to their discharge when the projected doses, due to the liquid effluent from the site would exceed 0.06 mrem to the whole body or 0.2 mrem to any organ when averaged over one month.

2.3.2 Applicability

At all times.

MONTICELLO NUCLEAR GENERATING PLANT	ODCM-02.01
Liquid Effluents	Revision 18
	Page 7 of 22

2.3.3 Action

- A. With radioactive liquid waste being discharged without treatment and in excess of the above limits, prepare and submit within 30 days a special report to the commission which includes the following:
1. Explanation of why liquid radwaste was being discharged without treatment, identification of any non-functional equipment or subsystems, and the reason for the non-functionality.
 2. Action(s) taken to restore the non-functional equipment to FUNCTIONAL status.
 3. Summary description of actions taken to prevent a recurrence.

2.3.4 Surveillance Requirements

- A. Doses due to liquid releases **SHALL** be projected at least once each month in accordance with the ODCM.

2.4 Liquid Holdup Tanks

2.4.1 Controls

- A. In accordance with Tech Spec 5.5.7, the quantity of radioactive material contained in each outside temporary tank **SHALL** be limited to ≤ 10 curies, excluding tritium and dissolved or entrained gases.

2.4.2 Applicability

At all times.

2.4.3 Action

- A. With the quantity of radioactive material contained in any outside temporary tank exceeding the limit in 2.4.1.A. above, immediately suspend all additions of radioactive material to the tank and within 48 hours reduce the tank contents to within the limit.

2.4.4 Surveillance Requirements

- A. The quantity of radioactive material contained in each outside temporary tank **SHALL** be determined to be within the limit in 2.4.1.A. by analyzing a representative sample of the tank's contents at least weekly when radioactive materials are being added to the tank.

MONTICELLO NUCLEAR GENERATING PLANT	ODCM-02.01
Liquid Effluents	Revision 18
	Page 8 of 22

2.5 Water Storage Ponds

2.5.1 The Water Storage Pond Transfer System - BATCH mode

A. Controls

1. In accordance with Tech Spec 5.5.3.a, 5.5.3.b, 5.5.3.c, and 5.5.3.d, WHEN operating the Water Storage Pond Transfer System in BATCH mode, all tanks **SHALL** be either monitored by the Water Storage Pond Transfer System Radiation Monitor OR be sampled and analyzed for gross beta at an LLD of 10^{-7} $\mu\text{Ci/ml}$ or gamma isotopic for principal gamma emitters at an LLD of 5.0×10^{-7} $\mu\text{Ci/ml}$ prior to a transfer to a Water Storage Pond.

B. Applicability

1. Whenever the Water Storage Pond Transfer System is operating in BATCH mode.

C. Action

1. If a Water Storage Pond Transfer System Storage Tank is released to the respective Water Storage Pond without required monitoring or sampling, take Action to stop the transfer and initiate sampling of the respective Water Storage Pond. Initiate QIM to document condition and actions taken to prevent recurrence.
2. All volume released whenever the Water Storage Pond Transfer System operates in **BATCH** mode SHALL either be recorded on the Chemistry Groundwater Transfer Log or measured by the Water Storage Pond Transfer System Flow Meter.

D. Surveillance Requirements

1. None.

2.5.2 Water Storage Pond Transfer System – AUTOMATIC Mode

A. Controls

1. In accordance with Tech Spec 5.5.3.a, 5.5.3.b, 5.5.3.c, and 5.5.3.d, WHEN operating the Water Storage Pond Transfer System in AUTOMATIC mode, all effluents **SHALL** be monitored by the Water Storage Pond Transfer System Radioactivity Monitor.

MONTICELLO NUCLEAR GENERATING PLANT	ODCM-02.01
Liquid Effluents	Revision 18
	Page 9 of 22

2. In accordance with Tech Spec 5.5.3.a, 5.5.3.b, 5.5.3.c, and 5.5.3.d, WHEN operating the Water Storage Pond Transfer System in AUTOMATIC mode, all effluent volume released **SHALL** be measured by the Water Storage Pond Transfer System Flow Meter.

B. Applicability

1. Whenever the Water Storage Pond Transfer System is operating in AUTOMATIC Mode.

C. Action

1. If the Water Storage Pond Radioactivity Monitor high setpoint is reached the system will trip the groundwater pumping wells and isolate the Water Storage Pond Transfer System Tank currently being filled. An investigation and cause analysis must be performed before resuming operation of the Water Storage Pond Transfer System in AUTOMATIC mode.
2. If the Water Storage Pond Radioactivity Monitor is removed from service, the Water Storage Pond Transfer System **SHALL** not be operated in AUTOMATIC mode.
3. If the Water Storage Pond Transfer System Flow Meter is removed from service, the Water Storage Pond Transfer System **SHALL** not be operated in AUTOMATIC mode.
 - a. If the Water Storage Pond Transfer System Flow Meter is found nonfunctional while the Water Storage Pond Transfer System is operating in Automatic Mode, STOP AUTOMATIC transfer operation and estimate volume released since last available reading.

D. Surveillance Requirements

1. Liquid Effluent Monitoring Instrumentation **SHALL** be demonstrated FUNCTIONAL by performance of the Sensor Check, Functional Test, and Calibration at the frequencies shown in Table 1.

2.5.3 Water Storage Pond Leak Detection Systems

A. Controls

1. In accordance with Tech Specs 5.5.3.c and 5.5.3.d, the Water Storage Pond Leak Detection Monitor **SHALL** be functional for each respective pond as specified in Table 3.

MONTICELLO NUCLEAR GENERATING PLANT	ODCM-02.01
Liquid Effluents	Revision 18
	Page 10 of 22

2. The level of water in the interstitial liner space **SHALL** not exceed 3.0 feet for each respective Water Storage Pond. [EC 601000004236 and 601000005071]

B. Applicability

1. Whenever the respective water storage pond contains radioactive liquid. Radioactive liquid is defined as gamma radiation detected above minimum detectable concentration or Tritium detected above site recapture concentrations.

C. Action

1. IF the level in a Water Storage Pond's interstitial liner space exceeds 3 feet, THEN take action to pump the water in the interstitial liner space back into the respective Water Storage Pond to reduce level of the interstitial liner space below 3 feet.
2. IF the level of water in a Water Storage Pond's interstitial liner space cannot be maintained below 3 feet, THEN further additions to the respective pond **SHALL** be stopped AND initiate sampling and analysis of the monitoring wells that surround the respective Water Storage Pond at least once every 7 days until the condition is evaluated and the appropriate actions are taken.
3. IF a respective pond's Water Storage Pond Leak Detection Monitor indicates a decrease in water level greater than 0.2 feet that is **NOT** due to pumping the interstitial liner space, THEN further additions to the respective pond **SHALL** be stopped AND initiate sampling and analysis of the monitoring wells that surround the respective Water Storage Pond at least once every 7 days until the condition is evaluated and the appropriate actions are taken.
4. IF Tritium is detected, above recapture, at a monitoring well surrounding the Water Storage Ponds, THEN perform the respective action for the well that was positive:
 - a. MW-101R - Addition to all Water Storage Ponds **SHALL** be stopped until the condition is evaluated and the appropriate actions taken.
 - b. MW-102 or MW-103 - Addition to Water Storage Pond #1 **SHALL** be stopped until the condition is evaluated and the appropriate actions taken.

MONTICELLO NUCLEAR GENERATING PLANT	ODCM-02.01
Liquid Effluents	Revision 18
	Page 11 of 22

- c. MW-104 or MW-105 - Additions to Water Storage Ponds #2A, #2B, and #2C **SHALL** be stopped until the condition is evaluated and the appropriate actions taken.

D. Surveillance Requirements

- 1. Liquid Effluent Monitoring Instrumentation **SHALL** be demonstrated FUNCTIONAL by performance of the Sensor Check, Functional Test, and Calibration at the frequencies shown in Table 1.

2.5.4 Water Storage Ponds

The Water Storage Ponds are being used as gaseous release points. All associated instrumentation and controls relating to the release are covered in ODCM-03.01.

2.6 Bases

2.6.1 Liquid Effluents

A. Concentration

Control 2.1.1.A. is provided to ensure that the concentration of radioactive materials released in liquid waste effluents to Unrestricted Areas will be less than 10 times the concentration values specified in Appendix B, Table 2, Column 2 to 10CFR20.1001-20.2402. The control provides operational flexibility for releasing liquid effluents in concentrations to follow the Section II.A and II.C design objectives of Appendix I to 10CFR Part 50. This limitation provides reasonable assurance that the levels of radioactive materials in bodies of water in Unrestricted Areas will result in exposures within (1) the Section II.A design objectives of Appendix I, 10CFR Part 50, to a Member of the Public and (2) restrictions authorized by 10CFR20.1301(e). The concentration limit for the dissolved or entrained noble gases is based upon the assumption that Xe-135 is the controlling radionuclide and its effluent concentration in air (submersion) was converted to an equivalent concentration in water. This control does not affect the requirement to comply with the annual limitations of 10CFR20.1301(a).

Surveillance requirements for continuous liquid release points are not provided since all Monticello releases are "batch" type releases.

The required detection capabilities for radioactive materials in liquid waste samples are tabulated in terms of the lower limits of detection (LLDs). Detailed discussion of the LLD, and other detection limits, can be found in Currie, L. A., "Lower Limit of

MONTICELLO NUCLEAR GENERATING PLANT	ODCM-02.01
Liquid Effluents	Revision 18
	Page 12 of 22

Detection: Definition and Elaboration of a Proposed Position for Radiological Effluent and Environmental Measurements," NUREG/CR-4007 (September 1984), and in the HASL Procedures Manual, HASL-300.

B. Dose

Control 2.2.1.A. is provided to implement the requirements of Sections II.A, III.A and IV.A of Appendix I, 10CFR Part 50. Action required by Control 2.2.1 provides the required operating flexibility and at the same time implements the guides set forth in Section IV.A of Appendix I to assure that the releases of radioactive material in liquid effluents will be kept "as low as is reasonably achievable". Considering that the nearest drinking water supply using the receiving water is 33 river miles downstream, there is reasonable assurance that the operation of the facility will not result in radionuclide concentrations in the finished drinking water that are in excess of the requirements of 40CFR141.

The dose calculations in the ODCM implement the requirements in Section III.A of Appendix I that conformance with the guides of Appendix I be shown by calculational procedures based on models and data such that the actual exposure of an individual through appropriate pathways is unlikely to be substantially underestimated. The equations specified in the ODCM for calculating the doses due to the actual release rates of radioactive materials in liquid effluents will be consistent with the methodology provided in Regulatory Guide 1.109, "Calculation of Annual Doses to Man from Routine Releases of Reactor Effluents for the Purpose of Evaluating Compliance with 10CFR50, Appendix I," Revision 1, October 1977 and Regulatory Guide 1.113, "Estimating Aquatic Dispersion of Effluents from Accidental and Routine Reactor Releases for the Purpose of Implementing Appendix I, Revision 1," April 1977. NUREG-0133, October 1978 provides methods for dose calculations consistent with Regulatory Guides 1.109 and 1.113.

C. Liquid Radwaste Treatment Systems

Control 2.3.1.A. provides assurance that the liquid radwaste treatment system will be available for use whenever liquid effluents require treatment prior to release to the environment. The requirements that the appropriate portions of this system be used when specified provides assurance that the releases of radioactive materials in liquid effluents will be kept "as low as is reasonably achievable". This control implements the requirements of 10CFR Part 50.36a, General Design Criterion 60 of Appendix A to 10CFR Part 50 and design objective Section II.D of Appendix I to 10CFR Part 50. The specified limits governing the use of appropriate portions of the liquid radwaste treatment system were specified as a suitable fraction of the

MONTICELLO NUCLEAR GENERATING PLANT	ODCM-02.01
Liquid Effluents	Revision 18
	Page 13 of 22

guide set forth in Section II.A of Appendix I, 10CFR Part 50, for liquid effluents.

The radioactive liquid effluent monitoring instrumentation is provided to monitor and control, as applicable, the releases of radioactive materials in liquid effluents during actual or potential releases of liquid effluents. The Alarm/Trip Setpoint for these instruments **SHALL** be calculated and adjusted in accordance with the methodologies and parameters in the ODCM to ensure that the alarm/trip will occur prior to exceeding the limits of 10CFR Part 20. The FUNCTIONALITY and use of this instrumentation is consistent with the requirements of General Design Criteria 60, 63, and 64 of Appendix A to 10CFR Part 50.

D. Liquid Holdup Tanks

Restrictions on the quantity of radioactive liquid material contained in tanks are required only for temporary tanks. All exterior permanent tanks are diked or double walled or both to prevent release of their contents in the event of leakage. Restricting the quantity of radioactive material contained in the specified tanks provides assurance that in the event of an uncontrolled release of the tanks contents, the resulting concentrations would be less than the values given in Appendix B, Table 2, Column 2, to 10CFR20.1001-20.2402 at the nearest potable water supply and the nearest surface water supply in an unrestricted area.

E. Water Storage Ponds

Each Water Storage Pond consists of three separate liners. These liners consist of the primary and secondary geomembrane liners, and the tertiary geosynthetic clay liner (GCL). The Water Storage Pond Leak Detection Monitor measures the level of water between the primary and secondary liner, also referred to as the interstitial liner space. This level indication provides preliminary indication of water with potential to reach the unrestricted area in the event of a defect in the secondary liner. This potential leakage additionally would need to diffuse through the GCL before entering the unrestricted area.

Controls 2.5.3.A. 1 & 2 are provided to ensure any potential leakage through a possible defect in the secondary liner to the GCL is minimized. The potential for leakage through the secondary liner was evaluated during the design of the Water Storage Ponds. This analysis was performed with the entire pond capacity on the secondary liner (i.e., complete failure of the primary liner.) These calculations are included in EC 601000004236 (Water Storage Pond #1) and EC 601000005071 (Water Storage Ponds #2A, 2B, and 2C.) Normal Water Storage Pond Leakage Detection System operation is expected to maintain the water level of the interstitial liner space less than 2.0 feet for each Water Storage Pond. The selection of 3.0 feet as

MONTICELLO NUCLEAR GENERATING PLANT	ODCM-02.01
Liquid Effluents	Revision 18
	Page 14 of 22

the limit for Control 2.5.3.A.2 allows for normal system operation while providing margin to the scenario evaluated in the ECs. Maintaining 3.0 feet or less of water level in the interstitial liner space provides reasonable assurance that in the event of the development of a defect in the secondary liner, impact to the unrestricted area would be minimized.

The Water Storage Pond Leak Detection Monitor measures the level of the interstitial liner space to a tenth of a foot. An unexplained decrease, (i.e., not due to pumping the interstitial liner space) in measured water level greater than 0.2 feet is indication of a possible leak in the secondary liner. Action 2.5.3.C.3 suspends pumping to the respective Water Storage Pond until the condition is evaluated. This set point is based on the accuracy of the installed instrumentation, see Water Storage Pond ECs, and analysis of empirical data of Water Storage Pond #1's Leak Detection Monitor. The action also initiates sampling of the monitoring wells that surround the Water Storage Ponds for possible detection of the indicated leakage.

A total of five Monitoring Wells were constructed around the perimeter of the Water Storage Ponds. These wells are MW-101R, MW-102, MW-103, MW-104, and MW-105. Four of the monitoring wells are down gradient from the Water Storage Ponds and one monitoring well is upgradient. These wells collectively will be the first indication of an abnormal discharge from the Water Storage Ponds. The compensatory actions for the Water Storage Pond Leak Detection Monitors direct additional sampling of these Monitoring Wells if the Leak Detection Monitors are unavailable. In the event of a positive detection of H-3 in one of these monitoring wells, the results will be evaluated against rain and snow samples for possible site recapture. The combination of the water level in the interstitial space between liners, monitored via the respective Water Storage Pond Leak Detection Monitor and the surrounding monitoring wells will be used in determination of any leakage resulting in an abnormal liquid discharge to the unrestricted area from a Water Storage Pond.

F. Water Storage Pond Transfer System

The Water Storage Pond Transfer System is designed to transfer remediated groundwater across the site's liquid effluent boundary to the Water Storage Ponds. The system has two requirements: monitor for radioactive nuclides and quantification of effluent volume released.

The Water Storage Pond Transfer System has two modes of operation, BATCH mode and AUTOMATIC mode. In BATCH mode each tank is individually secured and manually released to the Water Storage Ponds once monitoring has completed and the volume of each tank release is then recorded. In AUTOMATIC

MONTICELLO NUCLEAR GENERATING PLANT	ODCM-02.01
Liquid Effluents	Revision 18
	Page 15 of 22

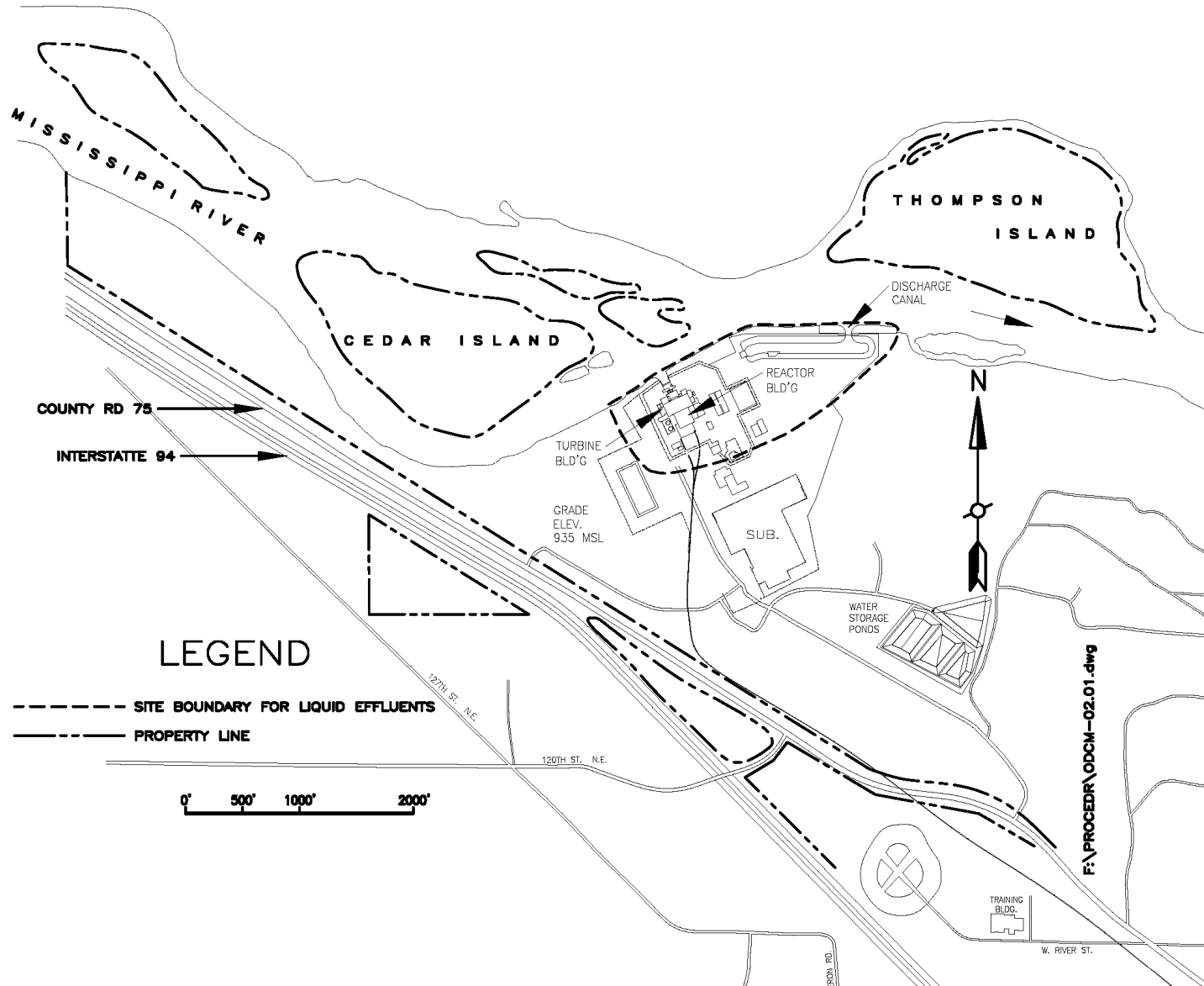
mode the system fills and releases tanks to the Water Storage Ponds without further actions needed.

In BATCH mode, the requirement to monitor for radioactive nuclides can be met in two ways. Control 2.5.2.A 1 directs either a manual grab sample or monitoring via the Water Storage Pond Transfer System Radioactivity Monitor.

IN BATCH mode, the requirement to quantify all volume released to the Water Storage Pond can be met in two ways. Action 2.5.1.C.3 directs recording all tank volumes released on the Groundwater Transfer Log or having the effluent monitored by the Water Storage Pond Transfer System Flow Meter.

MONTICELLO NUCLEAR GENERATING PLANT	ODCM-02.01
Liquid Effluents	Revision 18
	Page 16 of 22

Figure 1 Monticello Nuclear Generating Plant Site Boundary for Liquid Effluents



MONTICELLO NUCLEAR GENERATING PLANT	ODCM-02.01
Liquid Effluents	Revision 18
	Page 17 of 22

Table 1 Radioactive Liquid Effluent Monitoring Instrumentation Surveillance Requirements

Instrument	Sample Flow Verification# Frequency	Sensor Check Frequency	Source Check Frequency	Functional Test Frequency	Calibration Frequency
Liquid Radwaste Effluent Line Gross Radioactivity Monitor	-	Daily during release	Immediately Prior to Each Release	Within 3 months prior to making a release	Within 12 months prior to making a release.**
Liquid Radwaste Effluent Line Flow Instrument	-	Daily during release*	-	Within 3 months prior to making a release	Within 12 months prior to making a release.
Instruments used in Determination of Discharge Canal Flow	-	Daily during release*	-	Within 3 months prior to making a release	Within 18 months prior to making a release.
Service Water Discharge Pipe Gross Radioactivity Monitor	Daily	Daily	Monthly	Quarterly	Each Operating Cycle**
Discharge Canal Gross Radioactivity Monitor	-	Daily	Monthly	Quarterly	Each Operating Cycle***
Turbine Building Normal Waste Sump Monitor	-	Daily	Monthly	Quarterly	Each Operating Cycle
Level Monitors for Temporary Outdoor Tanks Holding Radioactive Liquid	-	Daily when in use	-	Quarterly when in use	Each Operating Cycle when in use
Water Storage Pond #1 Leak Detection Monitor	-	Daily while the pond contains radioactive liquid****	-	Quarterly while the pond contains radioactive liquid	Once each Operating Cycle when pond has radioactive liquid
Water Storage Pond #2A Leak Detection Monitor	-	Daily while the pond contains radioactive liquid****	-	Quarterly while the pond contains radioactive liquid	Once each Operating Cycle when pond has radioactive liquid
Water Storage Pond #2B Leak Detection Monitor	-	Daily while the pond contains radioactive liquid****	-	Quarterly while the pond contains radioactive liquid	Once each Operating Cycle when pond has radioactive liquid
Water Storage Pond #2C Leak Detection Monitor	-	Daily while the pond contains radioactive liquid****	-	Quarterly while the pond contains radioactive liquid	Once each Operating Cycle when pond has radioactive liquid
Water Storage Pond Transfer System Radioactivity Monitor	-	Daily when in use	Monthly when in use	Quarterly when in use	Each Operating Cycle when in use

MONTICELLO NUCLEAR GENERATING PLANT	ODCM-02.01
Liquid Effluents	Revision 18
	Page 18 of 22

Table 1 Radioactive Liquid Effluent Monitoring Instrumentation Surveillance Requirements (Cont'd.)

Instrument	Sample Flow Verification [#] Frequency	Sensor Check Frequency	Source Check Frequency	Functional Test Frequency	Calibration Frequency
Water Storage Pond Transfer System Flow Meter	-	Daily when in use	-	Quarterly when in use	Each Operating Cycle when in use

- # - Verification of sample flow is used to ensure functionality for Service Water Effluent Radiation Monitor. This monitor does not alarm on low sample flow (EC13285).
- * - Sensor Check **SHALL** consist of verifying indication of flow during periods of release. Sensor Check **SHALL** be made at least once per 24 hours on days on which continuous, periodic, or batch releases are made.
- ** - The initial Instrument Calibration **SHALL** be performed using one or more of the reference standards certified by the National Bureau of Standards (NBS) or using sources traceable to NBS standards. These standards **SHALL** permit calibrating the system over its intended range of energy and measurement range. For subsequent calibration sources that have been related to the initial calibration **SHALL** be used.
- *** - An initial Instrument Calibration was performed using a liquid reference standard over the systems intended range of energy and measurement range. Solid calibration sources traceable to NBS Standards currently being applied for instrument calibrations were related to the initial calibration. If, in the future, the canal radioactivity monitor is replaced, the following conditions **SHALL** apply:
 - a. Detector response and system efficiency **SHALL** be equal to or better than the present system.
 - b. Footnote (**) **SHALL** apply
- **** - Radioactive liquid is defined as gamma radiation detected above minimum detectable concentration or Tritium detected above site recapture concentrations.

MONTICELLO NUCLEAR GENERATING PLANT	ODCM-02.01
Liquid Effluents	Revision 18
	Page 19 of 22

Table 2 Radioactive Liquid Waste Sampling and Analysis Program

Liquid Release Type	Sampling Frequency	Minimum Analysis Frequency	Type of Activity Analysis	Lower Limit of Detection (LLD) (uci/ml) ^{a, e}
Batch Waste Release Tanks ^b	Each Batch	Each Batch	Principal Gamma Emitters ^d	5×10^{-7}
			I-131	1×10^{-6}
	One Batch Each Month	One Batch Each Month	Dissolved and Entrained Gases	1×10^{-5}
	Each Batch	Monthly Composite ^c	H-3	1×10^{-5}
			Gross alpha	1×10^{-7}
	Each Batch	Quarterly Composite ^c	Sr-89, Sr-90	5×10^{-8}
			Fe-55	1×10^{-6}

MONTICELLO NUCLEAR GENERATING PLANT	ODCM-02.01
Liquid Effluents	Revision 18
	Page 20 of 22

Table 2 Radioactive Liquid Waste Sampling and Analysis Program (cont'd)

Notes

- a. The LLD is the smallest concentration of radioactive material in a sample that will be detected with 95% probability with 5% probability of falsely concluding that a blank observation represents a “real” signal.

For a particular measurement system (which may include radiochemical separation):

$$LLD = \frac{4.66 s_b}{E \cdot V \cdot 2.22 \times 10^6 \cdot Y \cdot \exp(-\lambda \Delta t)}$$

where:

LLD is the a priori lower limit of detection as defined above (as microcurie per unit mass or volume),

s_b is the standard deviation of the background counting rate or of the counting rate of a blank sample as appropriate (as counts per minute). Typical values of E, V, Y and Δt **SHALL** be used in the calculations.

E is the counting efficiency (as counts per transformation),

V is the sample size (in units of mass or volume),

2.22×10^6 is the number of transformations per minute per microcurie,

Y is the fractional radiochemical yield (when applicable),

λ is the radioactive decay constant for the particular radionuclide, and

Δt is the elapsed time between midpoint of sample collection and time of counting.

- b. A batch release is the discharge of liquid wastes of a discrete volume. Prior to sampling for analyses, each batch **SHALL** be isolated and then thoroughly mixed to assure representative sampling.
- c. A composite sample is one in which the quantity of liquid sampled is proportional to the quantity of liquid waste discharged and in which the method of sampling employed results in a specimen which is representative of the liquids released.
- d. The principal gamma emitters for which the LLD specification will apply are exclusively the following radionuclides: Mn-54, Fe-59, Co-58, Co-60, Zn-65, Mo-99, Cs-134, Cs-137, Ce-141, and Ce-144. This list does not mean that only these nuclides are to be detected and reported. Other peaks which are measurable and identifiable, together with the above nuclides, **SHALL** also be identified and reported.
- e. Nuclides which are below the LLD for the analyses **SHALL** be reported as “less than” the LLD of the nuclide and should not be reported as being present at the LLD level for that nuclide. The “less than” values **SHALL** not be used in the required dose calculations. When unusual circumstances result in LLDs higher than required, the reasons **SHALL** be documented in the Radioactive Effluent Release Report.

MONTICELLO NUCLEAR GENERATING PLANT	ODCM-02.01
Liquid Effluents	Revision 18
	Page 21 of 22

Table 3 Radioactive Liquid Effluent Monitoring Instrumentation

Instrument	Minimum Channels Functional	Applicability	Action if Minimum Channels not functional
Liquid Radwaste Effluent Line Gross Radioactivity Monitor	1	During Release of Liquid Radwaste	Liquid radwaste releases may continue for up to 14 days provided that prior to initiating a release: a. At least two independent samples are analyzed in accordance with Table 2. b. At least two technically qualified members of the Facility Staff independently verify the release rate calculations and discharge line valving; Otherwise, suspend release of radioactive effluents via this pathway.
Liquid Radwaste Effluent Flow Instrument	1	During Release of Liquid Radwaste	Liquid radwaste releases via this pathway may continue for up to 30 days provided the flow rate is estimated at least every four hours during actual releases. Pump curves may be used to estimate flow.
Discharge Canal Flow Measurement: - Open Cycle Mode - Closed/Helper Cycle Mode	1 1	During Release of Liquid Radwaste	Effluent releases via this pathway may continue for up to 30 days provided the flow rate is estimated at least once every four hours during actual releases. Pump curves may be used to estimate flow.
Discharge Canal Gross Radioactivity Monitor*	1	At all times	Effluent releases may continue for up to 30 days provided that at least once every 12 hours a grab sample SHALL be collected and analyzed for gross beta at an LLD of 10^{-7} μ Ci/ml or gamma isotopic for principal gamma emitters at an LLD of 5.0×10^{-7} μ Ci/ml.
Service Water Discharge Pipe Gross Radioactivity Monitor*	1	At all times	Service water discharge may continue for up to 30 days provided that at least once every 12 hours a grab sample SHALL be collected and analyzed for gross beta at an LLD of 10^{-7} μ Ci/ml or gamma isotopic for principal gamma emitters at an LLD of 5.0×10^{-7} μ Ci/ml.
Turbine Building Normal Waste Sump Monitor*	1	At all times	Liquid sump releases may continue for up to 30 days provided that at least once every 12 hours a grab sample SHALL be collected and analyzed for gross beta at an LLD of 10^{-7} μ Ci/ml or gamma isotopic for principal gamma emitters at an LLD of 5.0×10^{-7} μ Ci/ml.
Level Monitors for Temporary Outdoor Tanks Holding Radioactive Liquid	1	When tanks are in use	Liquid additions to a tank may continue for up to 30 days provided the tank level is estimated during all liquid additions.
Water Storage Pond #1 Leak Detection Monitor	1	While the pond contains radioactive liquid**	Additions to Water Storage Pond #1 SHALL be stopped and the Water Storage Pond #1 Level Monitor SHALL be checked at least once every four hours. The Monitoring Wells that surround Water Storage Pond #1, MW-101R, MW-102, and MW-103 SHALL be sampled and analyzed at least once every 7 days.
Water Storage Pond #2A Leak Detection Monitor	1	While the pond contains radioactive liquid**	Additions to Water Storage Pond #2A SHALL be stopped and the Water Storage Pond #2A Level Monitor SHALL be checked at least once every four hours. The Monitoring Wells that surround Water Storage Pond #2A, MW-101R, MW-104, and MW-105 SHALL be sampled and analyzed at least once every 7 days.

MONTICELLO NUCLEAR GENERATING PLANT	ODCM-02.01
Liquid Effluents	Revision 18
	Page 22 of 22

Table 3 Radioactive Liquid Effluent Monitoring Instrumentation (Cont'd.)

Instrument	Minimum Channels Functional	Applicability	Action if Minimum Channels not functional
Water Storage Pond #2B Leak Detection Monitor	1	While the pond contains radioactive liquid**	Additions to Water Storage Pond #2B SHALL be stopped and the Water Storage Pond #2B Level Monitor SHALL be checked at least once every four hours. The Monitoring Wells that surround Water Storage Pond #2B, MW-101R, MW-104, and MW-105 SHALL be sampled and analyzed at least once every 7 days.
Water Storage Pond #2C Leak Detection Monitor	1	While the pond contains radioactive liquid**	Additions to Water Storage Pond #2C SHALL be stopped and the Water Storage Pond #2C Level Monitor SHALL be checked at least once every four hours. The Monitoring Wells that surround Water Storage Pond #2C, MW-101R, MW-104, and MW-105 SHALL be sampled and analyzed at least once every 7 days.
Water Storage Pond Transfer System Radioactivity Monitor	1	During Release of Liquid from the Water Storage Pond Transfer System operating in AUTOMATIC Mode	Effluent releases from the Water Storage Pond Transfer System can continue in BATCH mode, provided all tanks are sampled and analyzed for gross beta at an LLD of 10^{-7} μ Ci/ml or gamma isotopic for principal gamma emitters at an LLD of 5.0×10^{-7} μ Ci/ml prior to transfer to a Water Storage Pond.
Water Storage Pond Transfer System Flow Meter	1	During Release of Liquid from the Water Storage Pond Transfer System operating in AUTOMATIC Mode	Effluent releases from the Water Storage Pond Transfer System can continue in BATCH mode, provided all tank volumes are recorded and logged before transfer of the respective tank to a Water Storage Pond.

* - Indicates monitor provided with automatic alarm.

** - Radioactive liquid is defined as gamma radiation detected above minimum detectable concentration or Tritium detected above site recapture concentrations.

MONTICELLO NUCLEAR GENERATING PLANT	ODCM-03.01
Gaseous Effluents	Revision 18
	Page 1 of 25

Approval: 61600000241

OFFSITE DOSE CALCULATION MANUAL - TABLE OF CONTENTS

<u>SECTION</u>	<u>PAGE</u>
1.0 RECORD OF REVISION	2
2.0 GASEOUS EFFLUENTS	6
2.1 Dose Rate	6
2.2 Dose - Noble Gases	7
2.3 Dose - Iodine-131, Iodine-133, Tritium and Particulates	8
2.4 Water Storage Ponds	8
2.5 Off-gas Treatment System	9
2.6 Main Condenser Off-Gas Pretreatment Radiation Monitor	11
2.7 Containment Venting and Purging	12
2.8 Bases	13
Figure 1 Monticello Nuclear Generating Plant Site Boundary for Gaseous Effluents	17
Table 1 Radioactive Gaseous Effluent Monitoring Instrumentation Surveillance Requirements	18
Table 2 Radioactive Gaseous Waste Sampling and Analysis Program	20
Table 3 Radioactive Gaseous Effluent Monitoring Instrumentation	23

MONTICELLO NUCLEAR GENERATING PLANT	ODCM-03.01
Gaseous Effluents	Revision 18
	Page 2 of 25

1.0 RECORD OF REVISION

<u>Revision No.</u>	<u>Reason for Revision</u>
1	<p>Page 3 of 23, 2nd paragraph - Changed "In addition, prior to containment purge and venting," to "In addition, prior to containment purging". This change was made because setpoint recalculation is required only for containment purging and to be consistent with the rest of the ODCM.</p> <p>Page 3 of 23, first paragraph - Changed "Reactor Building Vent Plenum Monitor which initiates isolation of Reactor Building releases" to "Reactor Building Vent Noble Gas Monitor". This change was made to differentiate the noble gas monitor from the plenum radiation monitor and because the isolation function has been removed from the noble gas monitor system.</p> <p>Page 3 of 23, section 1.1.1 - Changed "Reactor Building Vent Isolation Setpoint" to "Reactor Building Vent Alarm Setpoint". This change was made because the setpoint exceedance no longer causes the Reactor Building Vent to isolate.</p> <p>Page 4 of 23, Section 1.1.1.B - Changed "For purge releases, substitute (x/q)v, the highest short term dispersion factor from Table A-12" to "For purge releases, substitute the value obtained from Chemistry Manual Procedure I.06.07 (ATMOSPHERIC DISPERSION DETERMINATION)". This change was made to more accurately predict off-site dose from containment purging by using near real time actual dispersion values.</p>
2	Incorporated Radiological Effluents Tech Specs section 3.8.B and 4.8.B into document.
3	Added clarification to section 2.5.1.A. and 2.5.3.A. to more accurately describe Off-gas Treatment System operation requirements. Corrected reference in Note h. of Table 2.
4	Revised Actions 2.2.3 and 2.3.3 to standardize documentation and reporting. Revised action in Table 3 to make non-functional air ejector off-gas radiation monitors consistent with high monitor readings action in T.S.3.8.A. Revised action in Table 3 to add compensatory sampling for non-functional hydrogen monitors similar to other non-functional monitors in Table 3.
5	Revised Control 2.5.1.A to make it consistent with Tech Spec 6.8.D.6. Revised Action 2.5.3.A to accommodate the revised Control (2.5.1.A).

MONTICELLO NUCLEAR GENERATING PLANT	ODCM-03.01
Gaseous Effluents	Revision 18
	Page 3 of 25

<u>Revision No.</u>	<u>Reason for Revision</u>
6	Revised Control 2.7.1.A to make it consistent with Tech Spec 3.7.D.3.a. Deleted surveillance requirement 2.6.4.A to conform to T.S.3.7.D.3.a.
7	Incorporated changes made during the conversion of the Current Technical Specifications to the Improved Technical Specifications. This includes dual step annotation.
8	This change is being submitted per GAR 01012990. There are no additional changes to the procedures. This revision is being issued to allow PORC review of changes made in revision 7. Revision bars from revision 7 are maintained for review purposes.
9	Revised Control 2.7.1 and it's bases to allow the use of Standby Gas Treatment System during inerting and deinerting activities.
10	Removed references to CTS. Added 30 day reporting requirements to 2.5.3.A.
11	Revised to correct out of date terminology throughout document.
12	Corrected Table 2; Tech Spec requirement for sampling radioactive iodines every four hours if greater than 0.2 uCi/gm.
13	Removed exceptions for operation of Off-gas Treatment System in section 2.5.1 and 2.5.3 to ensure that the Off-gas Holdup System is operated whenever possible and to require the Special report whenever bypassing >7 days. Made all Controls in 2.5.1 Applicable whenever SJAE's are in operation. Moved Action statement from Control 2.5.1.C. down to Action 2.5.3.B. Removed references to TS 5.5.3.a and 5.5.3.b from Control 2.5.1.A. These TS's do not relate to this Control.

MONTICELLO NUCLEAR GENERATING PLANT	ODCM-03.01
Gaseous Effluents	Revision 18
	Page 4 of 25

<u>Revision No.</u>	<u>Reason for Revision</u>
14	<p>Moved Dose Rate Actions 2.1.3.B. and 2.1.3.C. up to the Controls section. Added Actions supporting the moved Controls. Added Surveillance Requirement 2.4.4.B. requiring Dose Projection and 2.4.4.C. requiring Hydrogen Monitor Surveillance according to Table 1.</p> <p>Renamed Off-gas Treatment System Section (2.5) to Off-Gas Pretreatment Radiation Monitor. Removed Controls, Actions, and Surveillance Requirements duplicating TS 3.7.6. Added Actions 2.5.3.A and 2.5.3.B. and Surveillance requirement 2.5.4.A. related to Off-gas Rad Monitor Functionality. Corrected FUNCTIONALITY to OPERABILITY in Control 2.6.1.A., consistent with TS 3.6.1.1.</p> <p>Added notes to Bases Section for On-site Dose and LLD, based on NUREG-1302.</p> <p>Updated Bases for Off-gas Rad Monitor section to reference TS 3.7.6 and added bases for Controls in 2.5.1.</p> <p>Updated Gaseous Effluent Site Boundary Map in Figure 1 to improve readability and update road locations.</p> <p>Changed Table 2, Note c. to require daily sampling when DEI exceeds 10% of the TS limit.</p> <p>Deleted Date Column from Record of Revision.</p>
15	<p>Added new section 2.4 for the Water Storage Pond to support the new gaseous release point. This includes its associated controls, applicability, actions, and surveillances.</p> <p>Renumbered 2.4 Offgas Treatment System to 2.5, Main Condenser Off-Gas Pretreatment Radiation Monitor to 2.6, Containment Venting and Purging to 2.7, and Bases to 2.8. Changed associated references in bases to match new numbering in ODCM.</p> <p>Updated Figure 1 to include Water Storage Pond.</p> <p>Added Level Monitors for Water Storage Pond and Flow Monitors for Additions to Water Storage Pond to Table 1.</p> <p>Added Water Storage Pond and its required sampling to Table 2 in accordance with NUREG-1302. Added Level Monitoring and Transfer System Flow Totalizer to Table 3 with its associated applicability and actions if minimum channels not functional.</p>

MONTICELLO NUCLEAR GENERATING PLANT	ODCM-03.01
Gaseous Effluents	Revision 18
	Page 5 of 25

<u>Revision No.</u>	<u>Reason for Revision</u>
16	Removed Water Storage Pond Totalizer since the equipment has not been installed. Revised Water Storage Pond Precipitation Gauge sensor check to align with the performance of the 5185 inspection. Added 2.4.5.D to Water Storage Pond section for recording volume of transfers in batch mode.
17	Revised Water Storage Pond Section to Water Storage Ponds and updated controls to apply to each pond that contains radioactive liquid. Added Water Storage Pond 2A to Tables 1, 2, & 3. Added additional Water Storage Ponds to Figure 1.
18	Added Water Storage Ponds 2B and 2C and respective instrumentation to Tables 1, 2, & 3.

MONTICELLO NUCLEAR GENERATING PLANT	ODCM-03.01
Gaseous Effluents	Revision 18
	Page 6 of 25

2.0 GASEOUS EFFLUENTS

2.1 Dose Rate

2.1.1 Controls

- A. In accordance with Tech Spec 5.5.3.a, 5.5.3.c, and 5.5.3.g, the dose rate due to radioactive materials released in gaseous effluents from the site (Figure 1) **SHALL** be limited to the following values:
1. For Noble Gases: Less than or equal to a dose rate of 500 mrem/yr to the total body and less than or equal to a dose rate of 3000 mrem/yr to the skin, and
 2. For Iodine-131, Iodine-133, Tritium, and for all radionuclides in particulate form with half-lives greater than 8 days: Less than or equal to a dose rate of 1500 mrem/yr to any organ.
- B. Radioactive material in gaseous effluents released from the site **SHALL** be continuously monitored in accordance with Table 3.
- C. The Noble Gas Effluent monitors having provisions for the automatic termination of gaseous releases, as listed in Table 3 **SHALL** be used to limit off-site dose rates to the values established in 2.1.1.A.1. Setpoints **SHALL** be determined in accordance with the ODCM.

2.1.2 Applicability

At all times.

2.1.3 Action

- A. With the dose rate(s) exceeding the above limits, immediately decrease the release rate to within acceptable limits(s).
- B. With radioactive gaseous effluent monitoring instrumentation channel Alarm/Trip Setpoint less conservative than required by Control 2.1.1.C., immediately suspend the release of radioactive gaseous effluents monitored by the affected channel, or declare the channel nonfunctional, or change the setpoint so it is acceptably conservative.
- C. With less than the minimum number of radioactive gaseous effluent monitoring instrumentation channels Functional, take Action shown in Table 3. Restore the nonfunctional instrumentation to FUNCTIONAL status within 30 days and, if unsuccessful, explain in the next Annual Radioactive Effluent Release Report why this nonfunctionality was not corrected in a timely manner.

MONTICELLO NUCLEAR GENERATING PLANT	ODCM-03.01
Gaseous Effluents	Revision 18
	Page 7 of 25

2.1.4 Surveillance Requirements

- A. Gaseous effluent monitoring instrument surveillance **SHALL** be performed as required by Table 1.
- B. The release rate due to Iodine-131, Iodine-133, Tritium, and Radioactive Particulates with half-lives greater than 8 days **SHALL** be determined by obtaining representative samples and performing analysis in accordance with the sampling and analysis program specified in Table 2. Following each analysis, the dose rate due to I-131, I-133, Tritium and Radioactive Particulates with half-lives greater than 8 days, **SHALL** be determined to be less than the limit in 2.1.1.A.2. in accordance with the ODCM.

2.2 Dose - Noble Gases

2.2.1 Controls

- A. In accordance with Tech Spec 5.5.3.a, 5.5.3.c, 5.5.3.e and 5.5.3.h, the air dose due to noble gases released in gaseous effluents from the site (Figure 1) **SHALL** be limited to the following values:
 - 1. During any calendar quarter: ≤ 5 mrad for gamma radiation and ≤ 10 mrad for beta radiation, and
 - 2. During any calendar year: ≤ 10 mrad for gamma radiation and ≤ 20 mrad for beta radiation.

2.2.2 Applicability

At all times.

2.2.3 Action

- A. With the calculated air dose from radioactive noble gases in gaseous effluent exceeding any of the above limits, document and report IAW ODCM-01.01, Section 2.4.1.C.

2.2.4 Surveillance Requirements

- A. Cumulative dose contributions for the current calendar quarter and current calendar year from noble gases in gaseous effluents **SHALL** be determined monthly in accordance with the ODCM.

MONTICELLO NUCLEAR GENERATING PLANT	ODCM-03.01
Gaseous Effluents	Revision 18
	Page 8 of 25

2.3 Dose - Iodine-131, Iodine-133, Tritium and Particulates

2.3.1 Controls

A. In accordance with Tech Spec 5.5.3.a, 5.5.3.c, and 5.5.3.i, the dose to any organ of an individual due to Iodine-131, Iodine-133, Tritium, and radioactive particulates with a half-life greater than 8 days released from the site (FIGURE 1) in gaseous effluent **SHALL** be limited to the following values:

1. During any calendar quarter: ≤ 7.5 mrem, and
2. During any calendar year: ≤ 15 mrem.

2.3.2 Applicability

At all times.

2.3.3 Action

A. With the calculated dose from the release of Iodine-131, Iodine-133, Tritium, and Radioactive Particulates with half-lives greater than 8 days, exceeding any of the above limits, document and report IAW ODCM-01.01, Section 2.4.1.C.

2.3.4 Surveillance Requirements

A. Cumulative dose contributions for the current calendar quarter and current calendar year for Iodine-131, Iodine-133, Tritium, and Radioactive Particulates with half-lives greater than 8 days in gaseous effluents **SHALL** be determined in accordance with the ODCM monthly.

2.4 Water Storage Ponds

2.4.1 Controls

In accordance with Tech Spec 5.5.3a, 5.5.3c, 5.5.3g, and 5.5.3i, the evaporation of water from all water storage ponds shall be verified to comply within dose and dose rate limits.

2.4.2 Applicability

2.4.3 Whenever the respective water storage pond contains radioactive liquid. Radioactive liquid is defined as gamma radiation detected above minimum detectable concentration or Tritium detected above site recapture concentrations.

2.4.4 Action

A. If 75% of dose or dose rate limit is reached, forced evaporation **SHALL** be stopped and natural evaporation will be prevented to the fullest extent possible.

MONTICELLO NUCLEAR GENERATING PLANT	ODCM-03.01
Gaseous Effluents	Revision 18
	Page 9 of 25

- B. With less than the minimum number of radioactive gaseous effluent monitoring instrumentation channels Functional, take Action shown in Table 3. Restore the nonfunctional instrumentation to FUNCTIONAL status within 30 days and, if unsuccessful, explain in the next Annual Radioactive Effluent Release Report why this nonfunctionality was not corrected in a timely manner.

2.4.5 Surveillance

- A. Cumulative dose contributions for the current calendar quarter and current calendar year for Iodine-131, Iodine-133, Tritium, and Radioactive Particulates with half-lives greater than 8 days in gaseous effluents SHALL be determined in accordance with the ODCM monthly.
- B. Gaseous Effluent Monitoring Instrumentation **SHALL** be demonstrated FUNCTIONAL by performance of the Sensor Check, Functional Test, and Calibration at the frequencies shown in Table 1.
- C. Each Water Storage Pond **SHALL** be sampled at the frequency specified by Table 2 whenever the respective pond contains radioactive liquid.
- D. The total volume added and time of transfer **SHALL** be recorded when additions are made to a Water Storage Pond when operating the Water Storage Pond Transfer System in BATCH mode.

2.5 Off-gas Treatment System

2.5.1 Controls

- A. In accordance with Tech Spec 5.5.3.f, the OFF-GAS TREATMENT SYSTEM **SHALL** be in operation.
- B. In accordance with Tech Spec 5.5.7.b, the quantity of radioactivity after 12 hours holdup contained in each gas storage tank **SHALL** be limited to $\leq 22,000$ curies of noble gases (considered as dose equivalent Xe-133).
- C. In accordance with Tech Spec 5.5.7.a, the concentration of hydrogen in the compressed storage subsystem **SHALL** be limited to $\leq 2\%$ by volume.
- D. The hydrogen monitors **SHALL** be functional as specified in Table 3 and set to automatically trip the off-gas compressors at $\leq 4\%$ hydrogen by volume.

MONTICELLO NUCLEAR GENERATING PLANT	ODCM-03.01
Gaseous Effluents	Revision 18
	Page 10 of 25

2.5.2 Applicability

Whenever the Main Condenser Air Ejector system is in operation.

2.5.3 Action

- A. With gaseous waste being discharged for more than seven (7) days with an average holdup time of less than 50 hours, prepare and submit within 30 days a special report to the Commission which includes the following:
 - 1. Identification of the non-functional equipment or subsystems and the reason for non-functionality.
 - 2. Action(s) taken to restore the non-functional equipment to FUNCTIONAL status.
 - 3. Summary description of action(s) taken to prevent recurrence.
- B. With the concentration of hydrogen > 2% by volume, but ≤ 4% by volume, restore the concentration of hydrogen to < 2% by volume within 48 hours or suspend operation of the compressed storage subsystem.

2.5.4 Surveillance Requirements

- A. Following each isotopic analysis of a sample of gases from the Main Condenser Off-gas System Pretreatment monitor station required by Tech Spec 3.7.6, verify that the maximum storage tank activity limit specified in 2.5.1.B cannot be exceeded using the method in the ODCM.
- B. Doses due to gaseous releases to areas at and beyond the SITE BOUNDARY **SHALL** be projected at least once per 31 days in accordance with the methodology and parameters in the ODCM as required by Tech Spec 5.5.3.e.
- C. The Main Condenser Off-gas Treatment System Hydrogen Monitors **SHALL** be demonstrated FUNCTIONAL by performance of the Sensor Check, Functional Test and Calibration at the frequencies shown in Table 1.

MONTICELLO NUCLEAR GENERATING PLANT	ODCM-03.01
Gaseous Effluents	Revision 18
	Page 11 of 25

2.6 Main Condenser Off-Gas Pretreatment Radiation Monitor

2.6.1 Controls

- A. The activity of radioactive material in gaseous form removed from the main condenser **SHALL** be continuously monitored by the Main Condenser Off-Gas Pretreatment monitors in accordance with Table 3.
- B. The Main Condenser Off-Gas Pretreatment monitors **SHALL** be set to automatically terminate off-gas flow within 30 minutes at the limit established in Technical Specification 3.7.6.

2.6.2 Applicability

At all times

2.6.3 Action

- A. With the Off-gas Pretreatment Radiation Monitor Alarm/Trip Setpoint less conservative than required by Control 2.6.1.B., immediately suspend the release of radioactive gaseous effluents monitored by the affected channel, or declare the channel nonfunctional, or change the setpoint so it is acceptably conservative.
- B. With less than the minimum number of channels Functional, Take the Action shown in Table 3. Restore the nonfunctional instrumentation to Functional status within 30 days and, if unsuccessful, explain in the next Annual Radioactive Effluent Release Report why this nonfunctionality was not corrected in a timely manner.

2.6.4 Surveillance Requirements

- A. Each Off-gas Pretreatment Radiation Monitor channel **SHALL** be demonstrated Functional by performance of the Sensor Check, Source Check, Functional Test, and Calibration at the frequencies shown in Table 1.

MONTICELLO NUCLEAR GENERATING PLANT	ODCM-03.01
Gaseous Effluents	Revision 18
	Page 12 of 25

2.7 Containment Venting and Purging

2.7.1 Controls

- A. In accordance with Tech Spec 5.5.3.a, 5.5.3.c, 5.5.3.k, and 3.6.1.3, the inerting and deinerting operations permitted by Tech Spec 3.6.3.1 **SHALL** be via the 18-inch purge and vent valves (equipped with 40-degree limit stops). All other purging and venting, when primary containment OPERABILITY is required, **SHALL** be via the 2-inch purge and vent valve bypass line and the Standby Gas Treatment System.
- B. In accordance with Tech Spec 5.5.3.a, 5.5.3.c, and 5.5.3.k, Containment inerting following startup and deinerting prior to shutdown should be via the Standby Gas Treatment System.

2.7.2 Applicability

At all times.

2.7.3 Action

None

2.7.4 Surveillance Requirements

- A. Prior to containment purging, the sampling and analysis requirements of Table 2 **SHALL** be met.

MONTICELLO NUCLEAR GENERATING PLANT	ODCM-03.01
Gaseous Effluents	Revision 18
	Page 13 of 25

2.8 Bases

2.8.1 Gaseous Effluents

A. Dose Rate

Control 2.1.1.A. provides reasonable assurance that radioactive material discharged in gaseous effluents will not result in the exposure of a Member of the Public in an Unrestricted Area, either at or beyond the Site Boundary in excess of the design objectives of Appendix I to 10CFR Part 50. This specification is provided to ensure that gaseous effluents from all units on the site will be appropriately controlled. It provides operational flexibility for releasing gaseous effluents to satisfy the Section II.A and II.C design objectives of Appendix I to 10CFR Part 50. For Members of the Public who may at times be within the Site Boundary, the occupancy of that Member of the Public will usually be sufficiently low to compensate for the reduced atmospheric dispersion of gaseous effluents relative to that for the Site Boundary. Examples of calculations for such Members of the Public, with the appropriate occupancy factors, **SHALL** be given in the ODCM. The specified release rate limits restrict, at all times, the corresponding dose rates above background to a Member of the Public at or beyond the Site Boundary to less than or equal to 500 mrem/year to the total body or to less than or equal to 3000 mrem/year to the skin. These release rate limits also restrict, at all times, the corresponding thyroid dose rate above background to a child via the inhalation pathway to less than or equal to 1500 mrem/year. This specification does not affect the requirement to comply with the annual limitations of 10CFR20.1301(a).

The required detection capabilities for radioactive material in gaseous waste samples are tabulated in terms of the lower limits of detection (LLDs). Detailed discussion of the LLD, and the other detection limits can be found in Currie, L. A., "Lower Limit of Detection: Definition and Elaboration of a Proposed Position for Radiological Effluent and Environmental Measurements," NUREG/CR-4007 (September 1984), and in the HASL Procedures Manual, HASL-300.

B. Dose From Noble Gas

Control 2.2.1.A. is provided to implement the requirements of Sections II.B, III.A and IV.A of Appendix I, 10CFR Part 50. Action required by Control 2.2.1 provides the required operating flexibility and at the same time implements the guides set forth in Section IV.A of Appendix I to assure that the releases of radioactive material in gaseous effluents will be kept "as low as reasonably achievable".

MONTICELLO NUCLEAR GENERATING PLANT	ODCM-03.01
Gaseous Effluents	Revision 18
	Page 14 of 25

The Surveillance Requirements implement the requirements in Section III.A of Appendix I that conformance with the guides of Appendix I is to be shown by calculational procedures based on models and data such that the actual exposure of an individual through the appropriate pathways is unlikely to be substantially underestimated. The dose calculations established in the ODCM for calculating the doses due to the actual release rates of radioactive noble gases in gaseous effluents will be consistent with the methodology provided in Regulatory Guide 1.109, "Calculation of Annual Doses to Man from Routine Releases of Reactor Effluents for the Purpose of Evaluating Compliance with

10CFR Part 50, Appendix I," Revision 1, October 1977 and Regulatory Guide 1.111, "Methods for Estimating Atmospheric Transport and Dispersion of Gaseous Effluents in Routine Releases from Light-Water-Cooled Reactors," Revision 1, July 1977. The ODCM equations provided for determining the air doses at the restricted area boundary may be based upon the historical average atmospheric conditions. NUREG-0133, October, 1978 provides methods for dose calculations with Regulatory Guides 1.109 and 1.111.

C. Dose From Iodine 131, Iodine 133, Tritium & Particulates

Control 2.3.1.A. is provided to implement the requirements of Section II.C, III.A and IV.A of Appendix I, 10CFR Part 50. The release rate specifications for I-131, I-133, tritium and radioactive particulates with half-lives greater than eight days are dependent on the existing radionuclide pathways to man in the Unrestricted Area. The pathways which are examined in the development of these calculations are: 1) individual inhalation of airborne radionuclides, 2) deposition of radionuclides onto green leafy vegetation with subsequent consumption by man, 3) deposition onto grassy areas where milk animals and meat producing animals graze with consumption of the milk and meat by man, and 4) deposition on the ground with subsequent exposure of man.

D. Off-gas Treatment Systems

Control 2.5.1.A provides assurance that appropriate portions of the Off-gas Treatment System be used when specified, and provides reasonable assurance that the releases of radioactive materials in gaseous effluents will be kept "as low as is reasonably achievable". This specification implements the requirements of 10CFR50.36a, General Design Criterion 60 of Appendix A to 10CFR Part 50, and design objective Section II.D of Appendix I to 10CFR Part 50. The specified limits governing the use of appropriate portions of the systems were specified as a suitable fraction of the guide set forth in Sections II.B and II.C of Appendix I, 10CFR Part 50, for gaseous effluents.

MONTICELLO NUCLEAR GENERATING PLANT	ODCM-03.01
Gaseous Effluents	Revision 18
	Page 15 of 25

Control 2.5.1.B. is provided to limit the radioactivity which can be stored in one decay tank. Restricting the quantity of radioactivity contained in each gas storage tank provides assurance that in the event of an uncontrolled release of the tank's contents, the resulting total body exposure to an individual at the Site Boundary will not exceed 20 mrem. A flow restrictor in the discharge line of the decay tanks prevents a tank from being discharged at an uncontrolled rate. In addition, interlocks prevent the contents of a tank from being released with less than 12 hours of holdup.

The radioactive gaseous effluent monitoring instrumentation is provided to monitor and control, as applicable, the releases of radioactive materials in gaseous effluents during actual or potential releases of gaseous effluents. The Alarm/Trip Setpoint for these instruments will be calculated in accordance with NRC approved methods in the ODCM to ensure that the alarm/trip will occur prior to exceeding the limits of 10CFR Part 20. The FUNCTIONALITY requirements for this instrumentation are consistent with the requirements of General Design Criteria 60, 63, and 64 of Appendix A to 10CFR Part 50.

E. Main Condenser Off-Gas Pretreatment Radiation Monitor

Technical Specification 3.7.6 establishes a maximum activity at the steam jet air ejector. Restricting the gross radioactivity rate of noble gases from the main condenser provides reasonable assurance that the total body exposure to an individual at the restricted area boundary will not exceed the limits of 10CFR Part 20 in the event this effluent is inadvertently discharged directly to the environment with minimal treatment. This specification implements the requirements of General Design Criteria 60 and 64 of Appendix A to 10CFR Part 50.

Control 2.6.1.A establishes the requirement to calibrate and verify functionality of the Off-gas Pretreatment Monitor. Control 2.6.1.B ensures that a setpoint is used to terminate flow of the monitor if the detected activity is in excess of the TS 3.7.6 limit.

MONTICELLO NUCLEAR GENERATING PLANT	ODCM-03.01
Gaseous Effluents	Revision 18
	Page 16 of 25

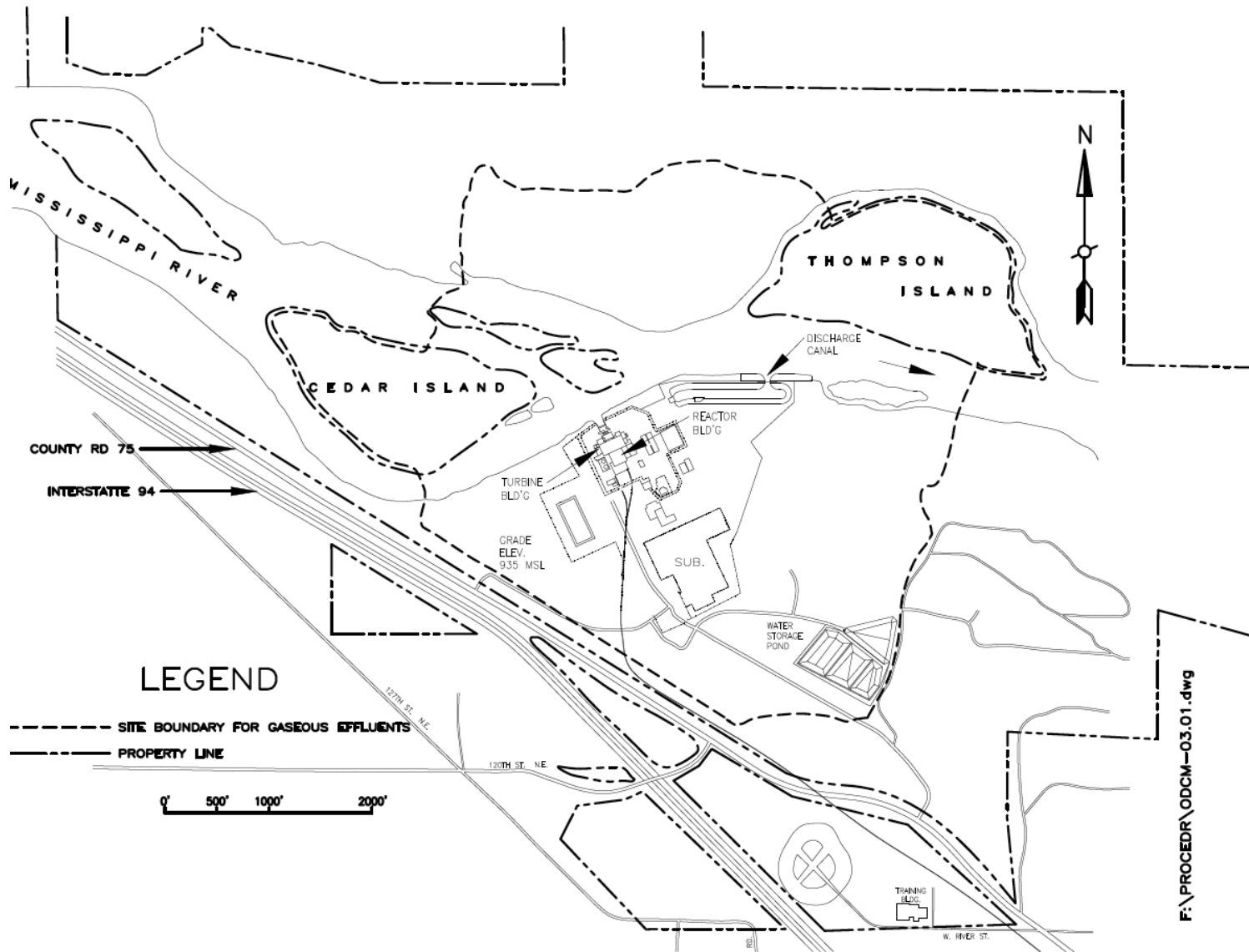
F. Containment Venting and Purging

Control 2.7.1 requires the containment to be purged and vented through the Standby Gas Treatment System. This provides for iodine and particulate removal from the containment atmosphere. During outages when the containment is opened for maintenance, the containment ventilation exhaust is directed to the monitored Reactor Building vent. Use of the 2 inch flow path prevents damage to the Standby Gas Treatment System in the event of a loss of coolant accident during purging or venting.

Use of the Standby Gas Treatment System or Reactor Building Plenum and vent flow path for inerting and deinerting operations permits the Control Room Operators to monitor the activity level of the resulting effluent by use of the Offgas Stack or Reactor Building Vent Wide Range Gas Monitors. In the event that the Reactor Building release rate exceeds the Offgas Stack or Reactor Building Vent Wide Range Gas Monitor alarm settings, the monitors will alarm in the Control Room alerting the operators to take actions to limit the release of gaseous radioactive effluents. The alarm settings for the Offgas Stack or Reactor Building Vent Wide Range Gas Monitors are calculated in accordance with the NRC approved methods in the ODCM to ensure that alarms will alert Control Room Operators prior to the limits of 10CFR Part 20 being exceeded.

MONTICELLO NUCLEAR GENERATING PLANT	ODCM-03.01
Gaseous Effluents	Revision 18
	Page 17 of 25

Figure 1 Monticello Nuclear Generating Plant Site Boundary for Gaseous Effluents



MONTICELLO NUCLEAR GENERATING PLANT	ODCM-03.01
Gaseous Effluents	Revision 18
	Page 18 of 25

Table 1 Radioactive Gaseous Effluent Monitoring Instrumentation Surveillance Requirements

Instrument	Sensor Check Frequency	Source Check Frequency	Functional Test Frequency	Calibration Frequency
Main Condenser Air Ejector Noble Gas Activity Monitors	Daily during air ejector operation		Quarterly	Once each Operating Cycle
Main Condenser Off-gas Treatment System Hydrogen Monitors	Daily during air ejector operation		Monthly	Quarterly #
Plant Stack Wide Range Noble Gas Activity Monitors	Daily	Monthly	Quarterly	Once each Operating Cycle*
Plant Stack Iodine and Particulate Samplers	Weekly			
Plant Stack Flow Monitor	Daily			Once each Operating Cycle
Plant Stack Sample Flow Instruments	Daily			Once each Operating Cycle
Reactor Building Vent Wide Range Noble Gas Activity Monitors	Daily	Monthly	Quarterly	Once each Operating Cycle*
Reactor Building Vent Iodine and Particulate Samplers	Weekly			
Reactor Building Vent Duct Flow Monitors	Daily			Once each Operating Cycle

MONTICELLO NUCLEAR GENERATING PLANT	ODCM-03.01
Gaseous Effluents	Revision 18
	Page 19 of 25

Table 1 Radioactive Gaseous Effluent Monitoring Instrumentation Surveillance Requirements (Cont'd)

Instrument	Sensor Check Frequency	Source Check Frequency	Functional Test Frequency	Calibration Frequency
Reactor Building Vent Sample Flow Instruments	Daily			Once each Operating Cycle
Water Storage Pond #1 Level Monitor	Daily when pond has radioactive liquid**	-	Quarterly when pond has radioactive liquid	Once each Operating Cycle when pond has radioactive liquid**
Water Storage Pond #2A Level Monitor	Daily when pond has radioactive liquid**	-	Quarterly when pond has radioactive liquid	Once each Operating Cycle when pond has radioactive liquid**
Water Storage Pond #2B Level Monitor	Daily when pond has radioactive liquid**	-	Quarterly when pond has radioactive liquid	Once each Operating Cycle when pond has radioactive liquid**
Water Storage Pond #2C Level Monitor	Daily when pond has radioactive liquid**	-	Quarterly when pond has radioactive liquid	Once each Operating Cycle when pond has radioactive liquid**
Water Storage Pond Precipitation Gauge	Weekly	-	-	Once each Operating Cycle when any pond has radioactive liquid**

- * - The initial Instrument Calibration **SHALL** be performed using one or more of the reference standards certified by the National Bureau of Standards (NBS) or using sources traceable to NBS standards. These standards **SHALL** permit calibrating the system over its intended range of energy and measurement range. For subsequent calibration sources that have been related to the initial calibration **SHALL** be used.
- # - The Calibration **SHALL** include the use of standard gas samples containing a nominal four volume percent hydrogen.
- ** - Radioactive liquid is defined as gamma radiation detected above minimum detectable concentration or Tritium detected above site recapture concentrations.

MONTICELLO NUCLEAR GENERATING PLANT	ODCM-03.01
Gaseous Effluents	Revision 18
	Page 20 of 25

Table 2 Radioactive Gaseous Waste Sampling and Analysis Program

Gaseous Release Type	Sampling Frequency	Minimum Analysis Frequency	Type of Activity Analysis	Lower Limit of Detection (LLD) (uci/ml) ^{a,e,f}
Containment Purge	Each Purge Grab Sample	Each Purge	Principal Gamma Emitters	1 x 10 ⁻⁴
			H-3 ^h	1 x 10 ⁻⁶
Plant Stack and Reactor Building Vent	Monthly Grab Sample	Monthly	Principal Gamma Emitters	1 x 10 ⁻⁴
			H-3 ⁱ	1 x 10 ⁻⁶
	Continuous	Weekly Charcoal Sample	I-131 I-133	1 x 10 ⁻¹² 1 x 10 ⁻¹⁰
	Continuous	Weekly Particulate Sample	Principal Gamma Emitters	1 x 10 ⁻¹¹
	Continuous	Monthly Composite Particulate Sample	Gross Alpha	1 x 10 ⁻¹¹
	Continuous	Quarterly Composite Particulate Sample	Sr-89, Sr-90	1 x 10 ⁻¹¹
	Continuous	Noble Gas monitor	Gross gamma or gross beta noble gas activity	1 x 10 ⁻⁶
Water Storage Ponds #1, 2A, 2B, and 2C	Monthly Grab Sample	Monthly	Principal Gamma Emitters ^e	1 x 10 ⁻⁴
			H-3	1 x 10 ⁻⁶

MONTICELLO NUCLEAR GENERATING PLANT	ODCM-03.01
Gaseous Effluents	Revision 18
	Page 21 of 25

Table 2 Radioactive Gaseous Waste Sampling and Analysis Program (cont'd)

Notes

- a. The LLD is the smallest concentration of radioactive material in a sample that will be detected with 95% probability with 5% probability of falsely concluding that a blank observation represents a “real” signal.

For a particular measurement system, which may include radiochemical separation:

$$LLD = \frac{4.66 s_b}{E \cdot V \cdot 2.22 \times 10^6 \cdot Y \cdot \exp(-\lambda \Delta t)}$$

Where:

LLD = the “a priori” lower limit of detection (microCurie per unit mass or volume),

s_b = the standard deviation of the background counting rate or of the counting rate of a blank sample as appropriate (counts per minute),

E = the counting efficiency (counts per disintegration),

V = the sample size (units of mass or volume),

2.22×10^6 = the number of disintegrations per minute per microCurie,

Y = the fractional radiochemical yield, when applicable,

λ = the radioactive decay constant for the particular radionuclide (sec^{-1}), and

Δt = the elapsed time between the midpoint of sample collection and the time of counting (sec).

It should be recognized that the LLD is defined as an a priori (before the fact) limit representing the capability of the measurement system and not as an a posteriori (after the fact) limit for a particular measurement.

- b. Grab samples taken at the discharge of the plant stack and Reactor Building vent are generally below minimum detectable levels for most nuclides with existing analytical equipment. For this reason, isotopic analysis data, corrected for holdup time, for samples taken at the steam jet air ejector may be used to calculate noble gas ratios.
- c. Whenever the steady state radioiodine concentration is greater than 10 percent of the limit of Tech Spec 3.4.6, daily sampling of reactor coolant for radioactive iodines of I-131 through I-135 is required. Whenever a change of 25% or more in calculated Dose Equivalent I-131 is detected under these conditions, the iodine and particulate collection devices for all release points **SHALL** be removed and analyzed daily until it is shown that a pattern exists which can be used to predict the release rate. Sampling may then revert to weekly. When samples collected for one day are analyzed, the corresponding LLDs may be increased by a factor of 10. Samples **SHALL** be analyzed within 48 hours after removal.

MONTICELLO NUCLEAR GENERATING PLANT	ODCM-03.01
Gaseous Effluents	Revision 18
	Page 22 of 25

Table 2 Radioactive Gaseous Waste Sampling and Analysis Program (cont'd)

- d. To be representative of the average quantities and concentrations of radioactive materials in particulate form in gaseous effluents, samples should be collected in proportion to the rate of flow of the effluent streams.
- e. The principal gamma emitters for which the LLD specification will apply are exclusively the following radionuclides: Kr-87, Kr-88, Xe-133, Xe-133m, Xe-135, and Xe-138 for gaseous emissions and Mn-54, Fe-59, Co-58, Co-60, Zn-65, Mo-99, I-131, Cs-134, Cs-137, Ce-141, and Ce-144 for particulate emissions. This list does not mean that only these nuclides are to be detected and reported. Other peaks which are measurable and identifiable, together with the above nuclides, **SHALL** also be identified and reported.
- f. Nuclides which are below the LLD for the analyses **SHALL** be reported as "less than" the LLD of the nuclide and should not be reported as being present at the LLD level for that nuclide. The "less than" values **SHALL NOT** be used in the required dose calculations. When unusual circumstances result in LLDs higher than reported, the reasons **SHALL** be documented in the semiannual effluent report.
- g. The ratio of the sample flow rate to the sampled stream flow rate **SHALL** be known for the time period sampled.
- h. H³ analysis **SHALL NOT** be required prior to purging if the limits of control 2.1.1 are satisfied for other nuclides. However, the H³ analysis **SHALL** be completed within 24 hours after sampling.
- i. In lieu of grab samples, continuous monitoring with bi-weekly analysis using silica-gel samplers may be provided.

Table 3 Radioactive Gaseous Effluent Monitoring Instrumentation

Instrument	Minimum Channels Functional	Applicability	Action if Minimum Channels Not Functional
Main Condenser Air Ejector Noble Gas Activity Monitor	2	During air ejector operation	From and after the date that one of the two steam jet air ejector off-gas radiation monitors is made or found to be non-functional, continued reactor power operation is permissible provided the non-functional radiation monitor instrument channel is tripped. Upon loss of both steam jet air ejector off-gas radiation monitors, power operation is permissible up to 72 hours provided the off-gas treatment system and post-treatment monitors are functional. If an air ejector off-gas radiation monitor is not restored to service within 72 hours, either: Isolate all main steam lines within 12 hours; or Isolate the Steam Jet Air Ejectors within 12 hours; or Be in hot shutdown within 12 hours and cold shutdown within the following 24 hours.
Main Condenser Off-gas Treatment System Hydrogen Monitors	2#	During air ejector operation	Operation may continue for up to 14 days with one Functional channel per operating recombiner train. With all channels non-functional, operation may continue provided the compressed gas storage system is bypassed.
Plant Stack Wide Range Noble Gas Activity Monitors*	1	At all times	Releases via this pathway may continue for up to 30 days provided grab samples are taken and analyzed at least once every 8 hours.
Iodine Sampler Cartridge	1	At all times	Releases via this pathway may continue for up to 30 days provided within 8 hours samples are continuously collected with auxiliary sampling equipment as required by Table 2.
Particulate Sampler Filter	1	At all times	Releases via this pathway may continue for up to 30 days provided within 8 hours samples are continuously collected with auxiliary sampling equipment as required by Table 2.
Stack Flow Monitor	1	At all times	Releases via the pathway may continue for up to 30 days provided the flow rate is estimated at least once every 4 hours.
Sample Flow Instrument	1	At all times	Releases via the pathway may continue for up to 30 days provided the flow rate is estimated at least once every 4 hours.

Table 3 Radioactive Gaseous Effluent Monitoring Instrumentation (cont'd)

Instrument	Minimum Channels Functional	Applicability	Action if Minimum Channels Not Functional
Reactor Building Vent (includes Turbine Building & Radwaste Building releases) Wide Range Noble Gas Activity Monitors**	1	At all times	Releases via this pathway may continue for to 30 days provided grab samples are taken and analyzed at least every 8 hours.
Iodine Sampler Cartridge	1	At all times	Releases via this pathway may continue for up to 30 days provided within 8 hours samples are continuously collected with auxiliary sampling equipment as required by Table 2.
Particulate Sampler Cartridge	1	At all times	Releases via this pathway may continue for up to 30 days provided within 8 hours samples are continuously collected with auxiliary sampling equipment as required by Table 2.
Duct Flow Monitors	1	At all times	Releases via the pathway may continue for up to 30 days provided the flow rate is estimated at least once every 4 hours.
Sample Flow Instruments	1	At all times	Releases via the pathway may continue for up to 30 days provided the flow rate is estimated at least once every 4 hours.
Water Storage Pond #1 Level Monitor	1	Whenever radioactive liquid is in the pond***	Additions to the pond may continue as long as all additions have their respective volumes recorded and the Water Storage Pond #1 Leak Detection Monitor remains in service.
Water Storage Pond #2A Level Monitor	1	Whenever radioactive liquid is in the pond***	Additions to the pond may continue as long as all additions have their respective volumes recorded and the Water Storage Pond #2A Leak Detection Monitor Remains in service.
Water Storage Pond #2B Level Monitor	1	Whenever radioactive liquid is in the pond***	Additions to the pond may continue as long as all additions have their respective volumes recorded and the Water Storage Pond #2B Leak Detection Monitor Remains in service.
Water Storage Pond #2C Level Monitor	1	Whenever radioactive liquid is in the pond***	Additions to the pond may continue as long as all additions have their respective volumes recorded and the Water Storage Pond #2C Leak Detection Monitor Remains in service.

MONTICELLO NUCLEAR GENERATING PLANT	ODCM-03.01
Gaseous Effluents	Revision 18
	Page 25 of 25

Table 3 Radioactive Gaseous Effluent Monitoring Instrumentation (cont'd)

Water Storage Pond Precipitation Gauge	1	Whenever radioactive liquid is in the pond***	Additions to the ponds may continue as long as all precipitation is estimated weekly and for the pond being added to, the respective Water Storage Pond Level Monitor remains in service.
--	---	---	---

Notes:

- Indicates number of channels required per operating recombiner train.

* - Provides automatic termination of off-gas treatment system releases.

** - Provides Control Room indication prior to exceeding 10CFR Part 20 release limits.

*** - Radioactive liquid is defined as gamma radiation detected above minimum detectable concentration or Tritium detected above site recapture concentrations.

MONTICELLO NUCLEAR GENERATING PLANT	ODCM-04.01
Liquid Effluent Calculations	Revision 5
	Page 1 of 29

Approval: 616000000171

OFFSITE DOSE CALCULATION MANUAL - TABLE OF CONTENTS

<u>SECTION</u>	<u>PAGE</u>
1.0 RECORD OF REVISION	2
2.0 LIQUID EFFLUENT CALCULATIONS	3
2.1 Monitor Alarm Setpoint Determination	3
2.2 Liquid Effluent Concentration - Compliance With 10CFR20.....	14
2.3 Liquid Effluent Doses - Compliance With 10CFR50.....	15
2.4 References.....	19
Figure 1 Radwaste Clean, Dirty, Solid Waste.....	20
Table 1 Liquid Source Terms	21
Table 2 A _{ij} Values for the Monticello Nuclear Generating Plant (mrem/hr per μCi/ml)....	22
Table 3 Liquid Radwaste Monitor Default Setpoint Calculation	25
Table 4 Discharge Canal Radiation Monitor Default Setpoint Calculation	26
Table 5 Service Water Radiation Monitor Default Setpoint Calculation	27
Table 6 Turbine Building Normal Waste Sump Default Setpoint Calculation.....	28
Table 7 Water Storage Pond Transfer System Radiation Monitor Default Setpoint Calculation.....	29

MONTICELLO NUCLEAR GENERATING PLANT	ODCM-04.01
Liquid Effluent Calculations	Revision 5
	Page 2 of 29

1.0 RECORD OF REVISION

<u>Revision No.</u>	<u>Reason for Revision</u>
1	<p>Moved previous ODCM-02.01 (LIQUID EFFLUENTS) into this section and renamed this section "LIQUID EFFLUENTS CALCULATIONS" to facilitate moving the Radiological Effluents Tech Specs to the ODCM.</p> <p>Removed dilution flow from setpoint calculations for the Service Water and Turbine Normal Drain Monitors to ensure the setpoints are valid for all plant modes. Revised the Table 1 MPC_i values to 10 times the concentration values of 10CFR20.1001-20.2402, Table 2, Column 2.</p>
2	<p>Added clarification of use of computer program LIQDOS to section 2.0. Changed Turbine Building Normal Drain Sump to Turbine Building Normal Waste Sump.</p>
3	<p>Removed references to specific computer programs. Added setpoint safety factors. Removed reference to calculating monitor setpoints monthly. Monthly frequency is not required by regulation and liquid setpoints are based on GALE Code, which does not change. Added Release Rate (R_k) to denominator of dilution equation (2.3.1.A) to match methodology in RADEAS. Elective formatting changes.</p>
4	<p>Added radiation monitor efficiency values to the setpoint calculation sections and made minor editorial changes to efficiency definitions. Added default setpoint calculation examples as Tables 3-6 and additional columns in Table 1, in support of AR01537833.</p>
5	<p>Added Water Storage Pond Radiation Monitor to Section 2.0 and the respective setpoint calculations in Table 7.</p>

MONTICELLO NUCLEAR GENERATING PLANT	ODCM-04.01
Liquid Effluent Calculations	Revision 5
	Page 3 of 29

2.0 LIQUID EFFLUENT CALCULATIONS

It is MNGP's policy to make no routine liquid releases, this section is used to:

- A. Determine alarm setpoints for liquid monitors;
- B. Determine that liquid concentrations in effluents are below 10 times the allowable concentrations given in 10CFR20;
- C. Calculate dose commitments to individuals; and
- D. Project doses for the next month due to liquid radioactive effluents.
- E. Compute liquid effluent doses if liquid effluent releases are made.

2.1 Monitor Alarm Setpoint Determination

Monitor alarm setpoints are determined to assure compliance with Tech Specs. The setpoints indicate if the concentration of radionuclides in the liquid effluent at the site boundary exceeds 10 times the concentrations specified in Appendix B, Table 2, Column 2 of 10CFR20.1001-20.2402 for radionuclides other than dissolved or entrained noble gases. The setpoints will also assure that a concentration of 2×10^{-4} $\mu\text{Ci/ml}$ for dissolved or entrained noble gases is not exceeded.

The setpoint calculation is performed in the following manner:

- A. If no liquid release is planned, the BWR GALE Code source terms (Table 1)⁽²⁾ are used as the basis for the release rate and monitor setpoints.
- B. Prior to a planned release, the setpoints for the affected monitors are calculated based on the waste activity and dilution flow.
- C. If the calculated setpoint is less than the existing monitor setpoint, the setpoint will be reduced to the new lower value.
- D. If the calculated setpoint is greater than the existing monitor setpoint, the setpoint may remain at the lower value or be increased to the new value.

MONTICELLO NUCLEAR GENERATING PLANT	ODCM-04.01
Liquid Effluent Calculations	Revision 5
	Page 4 of 29

2.1.1 Radwaste Discharge Line Monitor

The following method applies to liquid releases from the plant via the discharge canal when determining the high-high alarm setpoint for the Liquid Radwaste Effluent Monitor during all operational conditions. The radwaste discharge flowrate is assumed to be maintained relatively constant at or near the maximum Liquid Radwaste Pump design flowrate. Circulating water is used for dilution because the setpoint is applied at the liquid effluent site boundary (ODCM-02.01, Figure 1).

- A. Determine the “mix” (radionuclides and composition) of the liquid effluent.
1. Determine the liquid source terms that are representative of the “mix” of the liquid effluent. Liquid source terms are the total curies of each isotope released during the previous month. Table 1 source terms may be used if there have been no liquid releases.
 2. Determine S_i (the fraction of the total radioactivity in the liquid effluent comprised by radionuclide i) for each individual radionuclide in the liquid effluent.

a.
$$S_i = \frac{A_i}{\sum A_i}$$

where

A_i = The radioactivity of radionuclide i in the liquid effluent from Table 1.

MONTICELLO NUCLEAR GENERATING PLANT	ODCM-04.01
Liquid Effluent Calculations	Revision 5
	Page 5 of 29

- B. Determine C_t , the maximum acceptable total radioactivity concentration of all radionuclides in the liquid effluent prior to dilution ($\mu\text{Ci/ml}$).

$$1. \quad C_t = \frac{F}{f * \sum \frac{S_i}{\text{MPC}_i}}$$

where

F = Dilution water flowrate (gpm):
= Current circulating water flowrate or 240,000 gpm from two circulating water pumps, whichever is less.

f = The maximum acceptable discharge flowrate prior to dilution (gpm);
= 50 gpm from the Liquid Radwaste Pump ⁽³⁾;

and

MPC_i = The liquid effluent radioactivity concentration limit for radionuclide i ($\mu\text{Ci/ml}$) from Table 1.

- C. Determine C_m , the maximum acceptable total radioactivity concentration of the radionuclides (minus tritium) in the liquid discharge prior to dilution ($\mu\text{Ci/ml}$).

$$1. \quad C_m = C_t - (C_t S_H)$$

where

S_H = The fraction of the total radioactivity in the liquid effluent comprised of tritium and other radionuclides that do not emit gamma or x ray radiation.

MONTICELLO NUCLEAR GENERATING PLANT	ODCM-04.01
Liquid Effluent Calculations	Revision 5
	Page 6 of 29

- D. Determine C.R., the calculated monitor count rate above background attributed to the radionuclides (ncps).

$$1. \quad C.R. = \frac{C_m}{E} * SF$$

where

E = 2.50E-06 μ Ci/ml per cps
The detection efficiency of the Liquid Radwaste Effluent radiation monitor, based on the primary calibration.

SF = Setpoint safety factor (0.8)

- E. The monitor high-high alarm setpoint above background (ncps) should be set at or less than the C.R. value. Since only one tank can be released at a time, adjustment of this value is not necessary to compensate for releases from more than one source.

2.1.2 Discharge Canal Monitor

The following method determines the high-high alarm setpoint for the Discharge Canal Monitor during all operational conditions.

- A. Determine the "mix" (radionuclides and composition) of all liquids released into the discharge canal.
1. Determine the liquid source terms that are representative of the "mix" of all liquid released into discharge canal. Liquid source terms are the total curies of each isotope released during the previous month. Table 1 source terms may be used if there have been no liquid releases.
 2. Determine S_i , the fraction of the total radioactivity of all liquids released into the discharge canal comprised by radionuclide i for each individual radionuclide released into the discharge canal.

$$a. \quad S_i = \frac{A_i}{\sum A_i}$$

where

A_i = The radioactivity of radionuclide i released into the discharge canal.

MONTICELLO NUCLEAR GENERATING PLANT	ODCM-04.01
Liquid Effluent Calculations	Revision 5
	Page 7 of 29

- B. Determine C_d , the maximum acceptable total radioactivity concentration of all radionuclides released into the discharge canal ($\mu\text{Ci/ml}$).

$$1. \quad C_d = \frac{1}{\sum \frac{S_i}{MPC_i}}$$

where

MPC_i = The liquid effluent radioactivity concentration limit for radionuclide i ($\mu\text{Ci/ml}$) from Table 1.

- C. Determine C_m , the maximum acceptable total radioactivity concentration of the radionuclides (minus tritium) released into the discharge canal ($\mu\text{Ci/ml}$).

$$1. \quad C_m = C_d - (C_d S_H)$$

where

S_H = The fraction of the total radioactivity released into the discharge canal comprised of tritium and other radionuclides that do not emit gamma or x-ray radiation.

- D. Determine C.R., the calculated monitor count rate above background attributed to the radionuclides (ncps).

$$1. \quad \text{C.R.} = \frac{C_m}{E} * \text{SF}$$

where

E = $1.30\text{E-}07 \mu\text{Ci/ml}$ per cps
The detection efficiency of the Discharge Canal radiation monitor, based on the primary calibration.

SF = Setpoint safety factor (0.8)

- E. The monitor high-high alarm setpoint above background (ncps) should be set at or less than the C.R. value.

MONTICELLO NUCLEAR GENERATING PLANT	ODCM-04.01
Liquid Effluent Calculations	Revision 5
	Page 8 of 29

2.1.3 Service Water Discharge Pipe Monitor

Dilution flow is not used for the service water discharge pipe monitor setpoint determination to ensure the setpoint is valid for all modes of plant operation. The following method determines the high-high alarm setpoint for the Service Water Discharge Pipe Monitor during all operational conditions.

- A. Determine the “mix” (radionuclides and composition) of the service water effluent.
1. Determine the liquid source terms that are representative of the “mix” of the service water effluent. Liquid source terms are the total curies of each isotope released during the previous month. Table 1 source terms may be used if there have been no liquid releases.
 2. Determine S_i the fraction of the total radioactivity in the service water effluent comprised by radionuclide i , for each individual radionuclide in the liquid effluent.

a.
$$S_i = \frac{A_i}{\sum A_i}$$

where

A_i = The radioactivity of radionuclide i in the service water effluent.

- B. Determine C_t , the maximum acceptable total radioactivity concentration of all radionuclides in the service water effluent prior to dilution ($\mu\text{Ci/ml}$).

1.
$$C_t = \frac{1}{\sum \frac{S_i}{\text{MPC}_i}}$$

where

MPC_i = The liquid effluent radioactivity concentration limit for radionuclide i ($\mu\text{Ci/ml}$) from Table 1.

MONTICELLO NUCLEAR GENERATING PLANT	ODCM-04.01
Liquid Effluent Calculations	Revision 5
	Page 9 of 29

C. Determine C_m , the maximum acceptable total radioactivity concentration of the radionuclides (minus tritium) in the service water prior to dilution ($\mu\text{Ci/ml}$).

1. $C_m = C_t - (C_t S_H)$

where

S_H = The fraction of the total radioactivity in the service water effluent comprised of tritium and other radionuclides that do not emit gamma or x-ray radiation.

D. Determine C.R., (the calculated monitor count rate above background attributed to the radionuclides (ncps)).

1. $C.R. = \frac{C_m}{E} * SF$

where

E = $4.30\text{E-}07 \mu\text{Ci/ml}$ per cps
The detection efficiency of the Service Water radiation monitor, based on the primary calibration.

SF = Setpoint safety factor (0.8)

E. The monitor high-high alarm setpoint above background (ncps) should be set at or less than the C.R. value.

MONTICELLO NUCLEAR GENERATING PLANT	ODCM-04.01
Liquid Effluent Calculations	Revision 5
	Page 10 of 29

2.1.4 Turbine Building Normal Waste Sump Monitor

Dilution flow is not used for the Turbine Building Normal Waste Sump Monitor setpoint determination to ensure the setpoint is valid for all modes of plant operation. The following method determines the high-high alarm setpoint for the Turbine Building Normal Waste Sump Monitor during all operational conditions.

- A. Determine the “mix” (radionuclides and composition) of the TBNWS effluent.
1. Determine the liquid source terms that are representative of the “mix” of the TBNWS effluent. Liquid source terms are the total curies of each isotope released during the previous month. Table 1 source terms may be used if there have been no liquid releases.
 2. Determine S_i , the fraction of the total radioactivity in the TBNWS effluent comprised by radionuclide i , for each individual radionuclide in the liquid effluent.

a.
$$S_i = \frac{A_i}{\sum A_i}$$

where

A_i = The radioactivity of radionuclide i in the TBNWS effluent.

- B. Determine C_t , the maximum acceptable total radioactivity concentration of all radionuclides in the TBNWS effluent prior to dilution ($\mu\text{Ci/ml}$).

1.
$$C_t = \frac{1}{\sum \frac{S_i}{\text{MPC}_i}}$$

where

MPC_i = The liquid effluent radioactivity concentration limit for radionuclide i ($\mu\text{Ci/ml}$) from Table 1.

MONTICELLO NUCLEAR GENERATING PLANT	ODCM-04.01
Liquid Effluent Calculations	Revision 5
	Page 11 of 29

C. Determine C_m , the maximum acceptable total radioactivity concentration of the radionuclides (minus tritium) in the TBNWS prior to dilution ($\mu\text{Ci/ml}$).

$$1. \quad C_m = C_t - (C_t S_H)$$

where

S_H = The fraction of the total radioactivity in the TBNWS effluent comprised of tritium and other radionuclides that do not emit gamma or x-ray radiation.

D. Determine C.R., the calculated monitor count rate above background attributed to the radionuclides (ncpm).

$$1. \quad \text{C.R.} = \frac{C_m}{E} * \text{SF}$$

where

E = 3.42E-09 $\mu\text{Ci/ml}$ per cpm
The detection efficiency of the Turbine Building Normal Waste Sump radiation monitor, based on the primary calibration.

SF = Setpoint safety factor (0.8)

E. The monitor high-high alarm setpoint above background (ncpm) should be set at or less than the C.R. value.

MONTICELLO NUCLEAR GENERATING PLANT	ODCM-04.01
Liquid Effluent Calculations	Revision 5
	Page 12 of 29

2.1.5 Water Storage Pond Transfer System Monitor

The following method determines the high alarm setpoint for the Water Storage Pond Transfer System during all operational conditions.

- A. Determine the “mix” (radionuclides and composition) of all liquids released from the Water Storage Pond Transfer System.
1. Determine the liquid source terms that are representative of all liquid released into the Water Storage Pond Transfer System. Liquid source terms are the total curies of each isotope during the previous month. Table 1 Source Terms may be used if there have been no liquid releases.
 2. Determine, S_i , the fraction of the total radioactivity of all liquids released into the Water Storage Pond Transfer System comprised by radionuclide i for each individual radionuclide released into the Water Storage Pond Transfer System.

a.
$$S_i = \frac{A_i}{\sum A_i}$$

where

A_i = The radioactivity of radionuclide i released into the Water Storage Pond Transfer System.

- B. Determine C_w the maximum acceptable total radioactivity concentration of all radionuclides released into the Water Storage Pond ($\mu\text{Ci/mL}$).

1.
$$C_w = \frac{1}{\sum \frac{S_i}{\text{MPC}_i}}$$

where

MPC_i = The liquid effluent radioactivity concentration limit for radionuclide i ($\mu\text{Ci/ml}$) from Table 1.

MONTICELLO NUCLEAR GENERATING PLANT	ODCM-04.01
Liquid Effluent Calculations	Revision 5
	Page 13 of 29

C. Determine C_m , the maximum acceptable total radioactivity concentration of the radionuclides (minus tritium)

$$1. \quad C_m = C_w - (C_w S_h)$$

where

S_h = The fraction of total radioactivity released into the Water Storage Pond Transfer System comprised of tritium and other radionuclides that do not emit gamma or x-ray radiation.

D. Determine C.R., the calculated monitor count rate above background attributed to the radionuclides (ncps)

$$1. \quad C.R. = \frac{C_m}{E} * SF$$

where

E = 1.31E-06 μ Ci/ml per cps
The detection efficiency of the Water Storage Pond radiation monitor, based on the primary calibration.

SF = Setpoint safety factor (0.8)

E. The monitor high alarm setpoint above background (ncps) should be set at or less than the C.R. value.

2.1.6 Multiple Release Points

The discharge canal monitor, service water discharge and TBNWS line monitor are provided to detect unplanned or accidental releases. All normal releases are monitored by the radwaste discharge line monitor. There are, therefore, no multiple release points and monitor settings do not have to be reduced to account for multiple releases.

MONTICELLO NUCLEAR GENERATING PLANT	ODCM-04.01
Liquid Effluent Calculations	Revision 5
	Page 14 of 29

2.2 Liquid Effluent Concentration - Compliance With 10CFR20

In order to demonstrate compliance with 10CFR20, the concentrations of radionuclides in liquid effluents are determined and compared to 10 times the concentrations specified in Appendix B, Table 2, Column 2 to 10CFR20.1001-20.2402. The concentration of radioactivity in effluents prior to dilution is determined.

2.2.1 Batch Releases

A. Prerelease

The radioactivity content of each batch release is determined prior to release. MNGP will show compliance with Tech Specs (TS) in the following manner:

The concentration of the various radionuclides in the batch release prior to dilution flow to obtain the concentration at the unrestricted area. This calculation is shown in the following equation:

$$1. \quad \text{Conc}_i = \frac{C_i R}{\text{MDF}}$$

where

Conc_i = concentration of radionuclide i at the unrestricted area, ($\mu\text{Ci/ml}$);

C_i = concentration of radionuclide i in the potential batch release, ($\mu\text{Ci/ml}$);

R = release rate of the batch, (gpm);

MDF = minimum dilution flow, (gpm).

The projected concentration in the unrestricted area is compared to 10 times the concentrations specified in Appendix B, Table 2, Column 2 to 10CFR20.1001-20.2402. These concentrations are given in Table 1. Before a release may occur, Equation 2.2.1.A.2 must be met for all nuclides. For the MNGP the MDF is 240,000 gpm. The maximum release rate is 50 gpm.

$$2. \quad \sum \frac{\text{Conc}_i}{\text{MPC}_i} \leq 1$$

where

MPC_i = maximum concentration of radionuclide i from Table 1, ($\mu\text{Ci/ml}$).

MONTICELLO NUCLEAR GENERATING PLANT	ODCM-04.01
Liquid Effluent Calculations	Revision 5
	Page 15 of 29

2.3 Liquid Effluent Doses - Compliance With 10CFR50

Doses resulting from liquid effluents are calculated monthly to show compliance with 10CFR 50. A cumulative summation of total body and organ doses for each calendar quarter and calendar year is maintained as well as projected doses for the next month.

2.3.1 Determination of Liquid Effluent Dilution

To determine doses from liquid effluents the near field average dilution factor for the period of release must be calculated. This dilution factor must be calculated for each batch release. The dilution factor is determined by:

$$A. \quad F_k = \frac{R_k}{X(ADF_k + R_k)}$$

where

F_k = near field average dilution factor;

R_k = release rate of the batch during time period k, (gpm);

and

ADF_k = actual dilution flow during the time period of release k, (gpm).

The value of X is the site specific value for the mixing effect of the MNGP discharge structure. This value is 1.0 for MNGP while operating in the once-through cooling mode. Although not expected to occur, if radioactive material is discharged while operating in the recycle mode, this value may be 1.86. ⁽⁴⁾

MONTICELLO NUCLEAR GENERATING PLANT	ODCM-04.01
Liquid Effluent Calculations	Revision 5
	Page 16 of 29

2.3.2 Dose Calculations

The dose contribution from the release of liquid effluents is calculated monthly. The dose contribution is calculated using the following equation:

$$A. \quad D_j = \sum_k \sum_i A_{ij} t_k C_{ik} F_k$$

where

D_j = the dose commitment to the total body or any organ, from the liquid effluents for the 31 day period, (mrem);

C_{ik} = the average concentration of radionuclide, i , in undiluted liquid effluent for release k , ($\mu\text{Ci/ml}$);

A_{ij} = the site related ingestion dose commitment factor to the total body or any organ j for each identified principal gamma and beta emitter, (mrem/hr per $\mu\text{Ci/ml}$);

F_k = the near field average dilution factor for C_{ik} during liquid effluent release k , as defined in Equation 2.3.1.A, and

t_k = the length of time for release k , (hours).

MONTICELLO NUCLEAR GENERATING PLANT	ODCM-04.01
Liquid Effluent Calculations	Revision 5
	Page 17 of 29

The dose factor A_{ij} was calculated for an adult for each isotope using the following equation:

$$B. \quad A_{ij} = 1.14 \times 10^5 \left(\frac{730}{D_w} + 21 * BF_i \right) DF_{ij}$$

where

$$1.14 \times 10^5 = \frac{10^6 \text{ pCi}}{\mu\text{Ci}} * \frac{10^3 \text{ ml}}{\text{liter}} * \frac{1 \text{ yr}}{8760 \text{ hr}}$$

730 = adult water consumption rate, (liters/yr);

D_w = dilution factor from the near field area to the potable water intake for adult water consumption;

21 = adult fish consumption, (kg/yr);

BF_i = bioaccumulation factor for radionuclide i in fish from Table A-1 of Regulatory Guide 1.109 Rev. 1, ⁽⁵⁾ (pCi/kg per pCi/liter);

DF_{ij} = dose conversion factor for radionuclide i for adults for particular organ j from Table E-11 of Regulatory Guide 1.109 Rev. 1, (mrem/pCi).

The A_{ij} values for an adult at the MNGP are given in Table 2. The far field dilution factor, D_w for the MNGP is 7:1 for the nearest downstream water supply in St. Paul. This value was determined by assuming that effluents are completely mixed in 50% of the Mississippi River flow (7431 cfs at Anoka, MN). ⁽⁶⁾

MONTICELLO NUCLEAR GENERATING PLANT	ODCM-04.01
Liquid Effluent Calculations	Revision 5
	Page 18 of 29

2.3.3 Cumulation of Doses

Doses calculated monthly are summed for comparison with quarterly and annual limits. The monthly results should be added to the doses cumulated from the other months in the quarter of interest and in the year of interest.

- A. For the quarter:
 - 1. $D \leq 1.5$ mrem total body
 - 2. $D \leq 5$ mrem any organ
- B. For the Calendar Year,
 - 1. $D \leq 3$ mrem total body
 - 2. $D \leq 10$ mrem any organ

The quarterly limits given above represent one half of the annual design objective.⁽⁷⁾ If these quarterly or annual limits are exceeded, a special report should be submitted stating the reason and corrective action to be taken. This report will include results of analysis of Mississippi River water and an analysis of possible impacts through the drinking water pathway. If twice these limits are exceeded, a special report will be submitted showing compliance with 40CFR190.⁽⁸⁾

2.3.4 Projection of Doses

Anticipated doses resulting from the release of liquid effluents are projected monthly. If the projected doses for the month exceed 2% of Equation 2.3.3.B.1 or 2.3.3.B.2, additional components of the liquid radwaste treatment system will be used to process waste. The projected doses are calculated using Equation 2.3.2.A. The dilution factor, F_k , is calculated by replacing the term ADF_k in Equation 2.3.1.A with the term MDF from Equation 2.2.1.A.1.

The total source term utilized for the most recent dose calculation should be used for the projections unless information exists indicating that actual releases could differ significantly in the next month. In this case, the source term would be adjusted to reflect this information and the justification for the adjustment noted. This adjustment should account for any radwaste equipment which was operated during the previous month that could be out of service in the coming month.

MONTICELLO NUCLEAR GENERATING PLANT	ODCM-04.01
Liquid Effluent Calculations	Revision 5
	Page 19 of 29

2.4 References

1. USNRC, Title 10, Code of Federal Regulation, Part 20.1001-20.2402, "Standards for Protection Against Radiation", Appendix B, Table II, Column 2.
2. NSP - Monticello Nuclear Generating Plant, Appendix I Analysis - Supplement No. 1 - Docket No. 50-263, Table 2.1-2.
3. NSP - Monticello Nuclear Generating Plant, Appendix I Analysis - Supplement No. 1 - docket No. 50-263, Table 2.1-1.
4. Boegli, J.S., et. al. Eds, Section 4.3 in "Preparation of Radiological Effluent Technical Specifications for Nuclear Power Plants, NUREG-0133, 1978, NTIS, Springfield, VA.
5. USNRC, Regulatory Guide 1.109. "Calculation of Annual Doses to Man from Routine Releases of Reactor Effluents for the Purpose of Evaluating Compliance with 10CFR50, Appendix I", Rev. 1, Oct. 1977, USNRC, Washington, DC.
6. NSP - Monticello Nuclear Generating Plant, Final Draft Safety Analysis Report - Amendment 4, Question 3.3, and Amendment 8 in entirety.
7. USNRC, Title 10, Code of Federal Regulation, Part 50, "Domestic Licensing of Production and Utilization Facilities", Appendix I, "Numerical Guides for Design Objectives and Limiting Conditions for Operation to Meet the Criterion As Low as is Reasonably Achievable for Radioactive Material in Light-Water-Cooled Nuclear Power Reactor Effluents".
8. EPA, Title 40, Code of Federal Regulations, Part 190 "Environmental Radiation Protection Standards for Nuclear Power Operations".

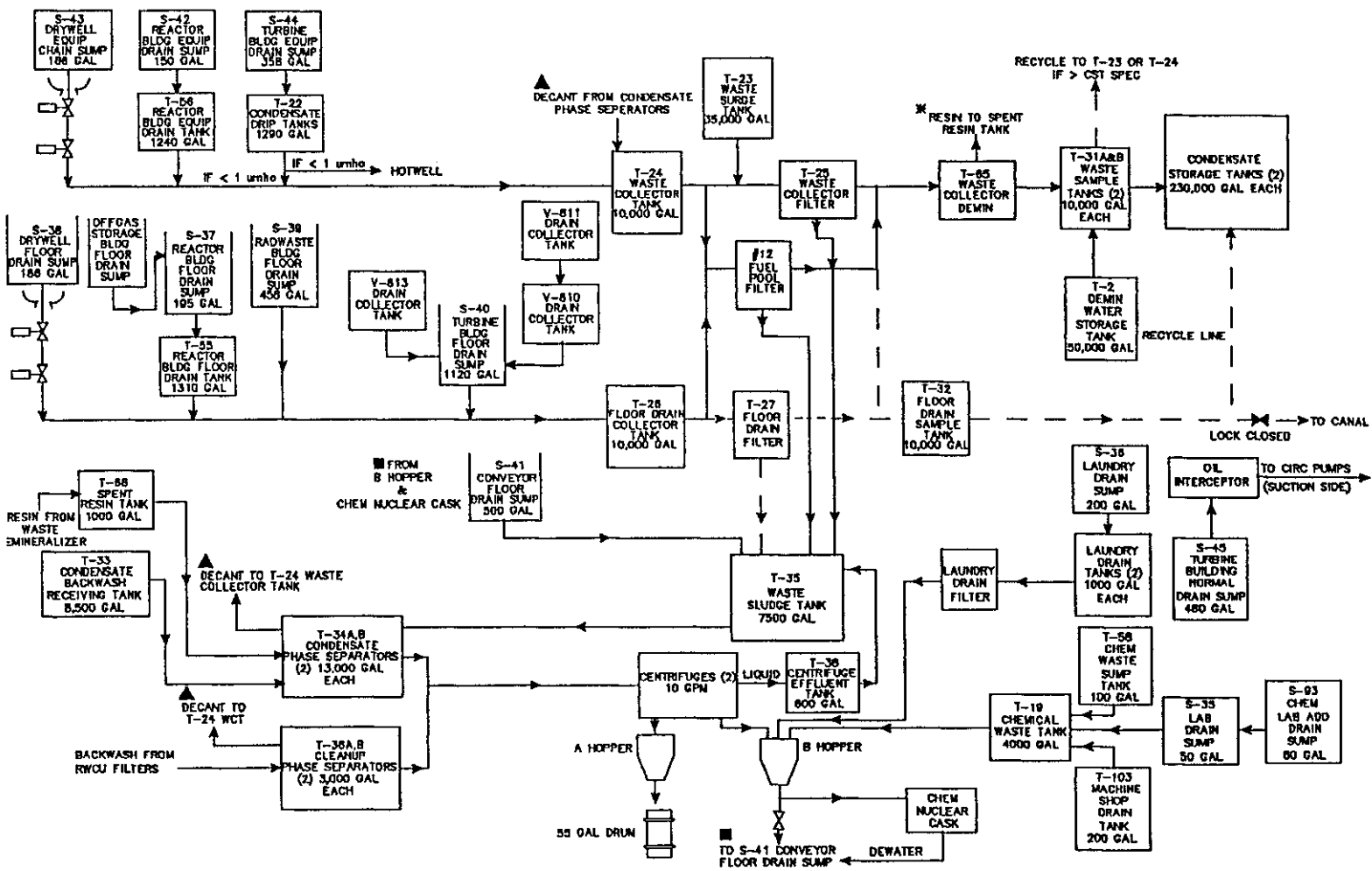


Figure 1 Radwaste Clean, Dirty, Solid Waste

Table 1 Liquid Source Terms

Radionuclide	Radioactivity A _i Ci/yr*	MPC _i μCi/ml**	S _i	S _i /MPC _i
H-3	2.1E 1	1E-2	8.77E-01	8.8E+01
Na-24	1.7E-1	5E-4	7.1E-03	1.4E+01
Mn-54	2.6E-3	3E-4	1.1E-04	3.6E-01
Mn-56	2.7E-1	7E-4	1.1E-02	1.6E+01
Fe-59	8.1E-4	1E-4	3.4E-05	3.4E-01
Co-58	9.3E-3	2E-4	3.9E-04	1.9E+00
Co-60	2.0E-2	3E-5	8.3E-04	2.8E+01
Cu-64	5.4E-1	2E-3	2.3E-02	1.1E+01
Zn-65	5.3E-3	5E-5	2.2E-04	4.4E+00
Zn-69m	3.7E-2	6E-4	1.5E-03	2.6E+00
Br-83	1.4E-2	9E-3	5.8E-04	6.5E-02
Sr-89	2.8E-3	8E-5	1.2E-04	1.5E+00
Sr-90	1.7E-4	5E-6	7.1E-06	1.4E+00
Sr-91	6.4E-2	2E-4	2.7E-03	1.3E+01
Sr-92	5.8E-2	4E-4	2.4E-03	6.1E+00
Y-92	1.0E-1	4E-4	4.2E-03	1.0E+01
Y-93	6.6E-2	2E-4	2.8E-03	1.4E+01
Mo-99	5.0E-2	2E-4	2.1E-03	1.0E+01
I-131	1.3E-1	1E-5	5.4E-03	5.4E+02
I-132	1.3E-1	1E-3	5.4E-03	5.4E+00
I-133	4.0E-1	7E-5	1.7E-02	2.4E+02
I-134	6.4E-2	4E-3	2.7E-03	6.7E-01
I-135	2.5E-1	3E-4	1.0E-02	3.5E+01
Cs-134	8.3E-2	9E-6	3.5E-03	3.8E+02
Cs-136	2.6E-2	6E-5	1.1E-03	1.8E+01
Cs-137	1.2E-1	1E-5	5.0E-03	5.0E+02
Cs-138	1.5E-1	4E-3	6.3E-03	1.6E+00
Ba-140	1.1E-2	8E-5	4.6E-04	5.7E+00
La-141	5.7E-3	5E-4	2.4E-04	4.8E-01
Ce-141	8.5E-4	3E-4	3.5E-05	1.2E-01
Ce-144	5.3E-3	3E-5	2.2E-04	7.4E+00
Np-239	1.7E-1	2E-4	7.1E-03	3.5E+01
Noble Gases	-	-	-	-
Total	2.40E1		100.00%	2.00E+03

* These source terms were calculated in accordance with NUREG-0016 by using the USNRC "GALE" Code.

** MPC_i Values are 10 times the concentration values of 10CFR20.1001 - 20.2402 Table 2 Column 2.

Table 2 A_{ij} Values for the Monticello Nuclear Generating Plant (mrem/hr per μCi/ml)

Nuclide	Bone	Liver	T. Body	Thyroid	Kidney	Lung	GI-LLI
1 H-3	0.00E 00	1.47E 00	1.47E 00	1.47E 00	1.47E 00	1.47E 00	1.47E 00
6 C 14	3.13E 04	6.26E 03	6.26E 03	6.26E 03	6.26E 03	6.26E 03	6.26E 03
11 Na-24	4.27E 02	4.27E 02	4.27E 02	4.27E 02	4.27E 02	4.27E 02	4.27E 02
24 Cr-51	0.00E 00	0.00E 00	1.31E 00	7.80E 01	2.38E 01	1.73E 00	3.28E 02
25 Mn-54	0.00E 00	4.43E 02	8.45E 02	0.00E 00	1.32E 03	0.00E 00	1.36E 04
25 Mn-56	0.00E 00	1.11E 02	1.98E 01	0.00E 00	1.42E 02	0.00E 00	3.56E 03
26 Fe-55	6.91E 02	4.77E 02	1.11E 02	0.00E 00	0.00E 00	2.66E 02	2.74E 02
26 Fe-59	1.09E 03	2.56E 03	9.83E 02	0.00E 00	0.00E 00	7.16E 02	8.54E 03
27 Co-58	0.00E 00	9.80E 01	2.20E 02	0.00E 00	0.00E 00	0.00E 00	1.99E 03
27 Co-60	0.00E 00	2.82E 02	6.21E 02	0.00E 00	0.00E 00	0.00E 00	5.29E 03
28 Ni-63	3.27E 04	2.26E 03	1.10E 03	0.00E 00	0.00E 00	0.00E 00	4.72E 02
28 Ni-65	1.33E 02	1.72E 01	7.87E 00	0.00E 00	0.00E 00	0.00E 00	4.37E 02
29 Cu-64	0.00E 00	1.10E 01	5.15E 00	0.00E 00	2.76E 01	0.00E 00	9.34E 02
30 Zn-65	2.32E 04	7.39E 04	3.34E 04	0.00E 00	4.94E 04	0.00E 00	4.66E 04
30 Zn-69	4.94E 01	9.46E 01	6.58E 00	0.00E 00	6.14E 01	0.00E 00	1.42E 01
35 Br-83	0.00E 00	0.00E 00	4.09E 01	0.00E 00	0.00E 00	0.00E 00	5.89E 01
35 Br-84	0.00E 00	0.00E 00	5.30E 01	0.00E 00	0.00E 00	0.00E 00	4.16E-04
35 Br-85	0.00E 00	0.00E 00	2.18E 00	0.00E 00	0.00E 00	0.00E 00	1.02E-15
37 Rb-86	0.00E 00	1.01E 05	4.72E 04	0.00E 00	0.00E 00	0.00E 00	2.00E 04
37 Rb-88	0.00E 00	2.90E 02	1.54E 02	0.00E 00	0.00E 00	0.00E 00	4.01E-09
37 Rb-89	0.00E 00	1.92E 02	1.35E 02	0.00E 00	0.00E 00	0.00E 00	1.12E-11
38 Sr-89	2.58E 04	0.00E 00	7.40E 02	0.00E 00	0.00E 00	0.00E 00	4.14E 03
38 Sr-90	6.35E 05	0.00E 00	1.56E 05	0.00E 00	0.00E 00	0.00E 00	1.83E 04
38 Sr-91	4.75E 02	0.00E 00	1.92E 01	0.00E 00	0.00E 00	0.00E 00	2.26E 03
38 Sr-92	1.80E 02	0.00E 00	7.78E 00	0.00E 00	0.00E 00	0.00E 00	3.57E 03

MONTICELLO NUCLEAR GENERATING PLANT	ODCM-04.01
Liquid Effluent Calculations	Revision 5
	Page 23 of 29

Table 2 A_{ij} Values for the Monticello Nuclear Generating Plant (mrem/hr per μCi/ml) (cont'd)

Nuclide	Bone	Liver	T. Body	Thyroid	Kidney	Lung	GI-LLI
39 Y-90	6.90E-01	0.00E 00	1.35E-02	0.00E 00	0.00E 00	0.00E 00	7.32E 03
39 Y-91m	6.52E-03	0.00E 00	2.53E-04	0.00E 00	0.00E 00	0.00E 00	1.92E-02
39 Y-91	1.01E 01	0.00E 00	2.70E-01	0.00E 00	0.00E 00	0.00E 00	5.57E 03
39 Y-92	6.06E-02	0.00E 00	1.77E-03	0.00E 00	0.00E 00	0.00E 00	1.06E 03
39 Y-93	1.92E-01	0.00E 00	5.31E-03	0.00E 00	0.00E 00	0.00E 00	6.10E 03
40 Zr-95	6.02E-01	1.93E-01	1.31E-01	0.00E 00	3.03E-01	0.00E 00	6.11E 02
40 Zr-97	3.32E-02	6.71E-03	3.07E-03	0.00E 00	1.01E-02	0.00E 00	2.08E 03
41 Nb-95	4.47E 02	2.49E 02	1.34E 02	0.00E 00	2.46E 02	0.00E 00	1.51E 06
42 Mo-99	0.00E 00	1.54E 02	2.94E 01	0.00E 00	3.50E 02	0.00E 00	3.58E 02
43 Tc-99m	1.13E-02	3.34E-02	4.25E-01	0.00E 00	5.07E-01	1.63E-02	1.97E 01
43 Tc-101	1.21E-02	1.75E-02	1.72E-01	0.00E 00	3.15E-01	8.94E-03	5.26E-14
44 Ru-103	6.63E 00	0.00E 00	2.86E 00	0.00E 00	2.53E 01	0.00E 00	7.74E 02
44 Ru-105	5.52E 01	0.00E 00	2.18E-01	0.00E 00	7.13E 00	0.00E 00	3.38E 02
44 Ru-106	9.85E 01	0.00E 00	1.25E 01	0.00E 00	1.90E 02	0.00E 00	6.38E 03
47 Ag-110m	2.78E 00	2.57E 00	1.53E 00	0.00E 00	5.06E 00	0.00E 00	1.05E 03
52 Te-125m	2.60E 03	9.41E 02	3.48E 02	7.81E 02	1.06E 04	0.00E 00	1.04E 04
52 Te-127m	6.56E 03	2.35E 03	8.00E 02	1.68E 03	2.67E 04	0.00E 00	2.20E 04
52 Te-127	1.07E 02	3.83E 01	2.31E 01	7.90E 01	4.34E 02	0.00E 00	3.42E 03
52 Te-129m	1.11E 04	4.16E 03	1.76E 03	3.83E 03	4.65E 04	0.00E 00	5.61E 04
52 Te-129	3.04E 01	1.14E 01	7.42E 00	2.34E 01	1.23E 02	0.00E 00	2.30E 01
52 Te-131m	1.68E 03	8.20E 02	6.83E 02	1.30E 03	9.31E 03	0.00E 00	8.14E 04
52 Te-131	1.81E 01	7.98E 00	6.03E 00	1.57E 01	8.37E 01	0.00E 00	2.70E 00
52 Te-132	2.44E 03	1.58E 03	1.48E 03	1.75E 03	1.52E 04	0.00E 00	7.47E 04
53 I-130	3.61E 01	1.07E 02	4.21E 01	9.03E 03	1.66E 02	0.00E 00	9.18E 01
53 I-131	1.99E 02	2.84E 02	1.63E 02	9.32E 04	4.88E 02	0.00E 00	7.50E 01
53 I-132	9.70E 00	2.60E 01	9.08E 00	9.08E 02	4.13E 01	0.00E 00	4.88E 00
53 I-133	6.79E 01	1.18E 02	3.60E 01	1.74E 04	2.06E 02	0.00E 00	1.06E 02
53 I-134	5.07E 00	1.38E 01	4.92E 00	2.39E 02	2.19E 01	0.00E 00	1.20E-02
53 I-135	2.12E 01	5.54E 01	2.05E 01	3.66E 03	8.89E 01	0.00E 00	6.26E 01

MONTICELLO NUCLEAR GENERATING PLANT	ODCM-04.01
Liquid Effluent Calculations	Revision 5
	Page 24 of 29

Table 2 A_{ij} Values for the Monticello Nuclear Generating Plant (mrem/hr per μ Ci/ml) (cont'd)

Nuclide	Bone	Liver	T. Body	Thyroid	Kidney	Lung	GI-LLI
55 Cs-134	2.99E 05	7.10E 05	5.81E 05	0.00E 00	2.30E 05	7.63E 04	1.24E 04
55 Cs-136	3.12E 04	2.23E 05	8.88E 04	0.00E 00	6.86E 04	9.41E 03	1.40E 04
55 Cs-137	3.83E 05	5.23E 05	3.43E 05	0.00E 00	1.78E 05	5.90E 04	1.01E 04
55 Cs-138	2.65E 02	5.23E 02	2.59E 02	0.00E 00	3.84E 02	3.80E 01	2.23E-03
56 Ba-139	2.08E 00	1.48E-03	6.10E-02	0.00E 00	1.39E-03	8.41E 04	3.69E 00
56 Ba-140	4.36E 02	5.47E-01	2.85E 01	0.00E 00	1.86E-01	3.13E 01	8.97E 02
56 Ba-141	1.01E 00	7.64E-04	3.41E-02	0.00E 00	7.10E-04	4.34E 04	4.77E-10
56 Ba-142	4.57E-01	4.70E-04	2.88E-02	0.00E 00	3.97E-04	2.66E 04	6.44E-19
57 La-140	1.79E-01	9.04E-02	2.39E-02	0.00E 00	0.00E 00	0.00E 00	6.64E 03
57 La-142	9.18E-03	4.18E-03	1.04E-03	0.00E 00	0.00E 00	0.00E 00	3.05E 01
58 Ce-141	1.34E-01	9.04E-02	1.03E-02	0.00E 00	4.20E-02	0.00E 00	3.46E 02
58 Ce-143	2.36E-02	1.74E 01	1.93E-03	0.00E 00	7.67E-03	0.00E 00	6.51E 02
58 Ce-144	6.97E 00	2.91E 00	3.74E-01	0.00E 00	1.73E 00	0.00E 00	2.36E 03
59 Pr-143	6.60E-01	2.65E-01	3.27E-02	0.00E 00	1.53E-01	0.00E 00	2.89E 03
59 Pr-144	2.16E-03	8.97E-04	1.10E-04	0.00E 00	5.06E-04	0.00E 00	3.11E-14
60 Nd-147	4.51E-01	5.22E-01	3.12E-02	0.00E 00	3.05E-01	0.00E 00	2.50E 04
74 W-187	2.97E 02	2.48E 02	8.68E 01	0.00E 00	0.00E 00	0.00E 00	8.13E 04
93 Np-239	4.26E-02	4.19E-03	2.31E-03	0.00E 00	1.31E-02	0.00E 00	8.60E 02

MONTICELLO NUCLEAR GENERATING PLANT	ODCM-04.01
Liquid Effluent Calculations	Revision 5
	Page 25 of 29

Table 3 Liquid Radwaste Monitor Default Setpoint Calculation

Inputs	$\Sigma(S_i/MPC_i)$	2.00E+03	From Table 1
	F (gpm)	240000	Dilution Flowrate
	f (gpm)	50	Maximum Discharge Flowrate
	S _h	0.877	Fraction of total activity due to Hard to Detect Nuclides
	E	2.50E-06	Detector Efficiency ($\mu\text{Ci/ml}$ per cps)
	SF	0.80	Setpoint Safety Factor
	Background	-	Background C.R.
Intermediate Results	C _t ($\mu\text{Ci/ml}$)	2.40E+00	Maximum Concentration
	C _m ($\mu\text{Ci/ml}$)	2.96E-01	Max Concentration of gamma emitters
Calculated Setpoint	C.R. (cps)	1.18E+05	net cps (No Safety Factor)
		9.46E+04	net cps (Includes 0.8 Safety Factor)

MONTICELLO NUCLEAR GENERATING PLANT	ODCM-04.01
Liquid Effluent Calculations	Revision 5
	Page 26 of 29

Table 4 Discharge Canal Radiation Monitor Default Setpoint Calculation

Inputs	$\Sigma(S_i/MPC_i)$	2.00E+03	From Table 1
	S_h	0.877	Fraction of total activity due to Hard to Detect Nuclides
	E	1.30E-07	Detector Efficiency ($\mu\text{Ci/ml}$ per cps)
	SF	0.80	Setpoint Safety Factor
	Background	-	Background C.R.
Intermediate Results	C_d ($\mu\text{Ci/ml}$)	5.00E-04	Maximum Concentration
	C_m ($\mu\text{Ci/ml}$)	6.16E-05	Max Concentration of gamma emitters
Calculated Setpoint	C.R. (cps)	4.74E+02	net cps (No Safety Factor)
		3.79E+02	net cps (Includes 0.8 Safety Factor)

MONTICELLO NUCLEAR GENERATING PLANT	ODCM-04.01
Liquid Effluent Calculations	Revision 5
	Page 27 of 29

Table 5 Service Water Radiation Monitor Default Setpoint Calculation

Inputs	$\Sigma(S_i/MPC_i)$	2.00E+03	From Table 1
	S_h	0.877	Fraction of total activity due to Hard to Detect Nuclides
	E	4.30E-07	Detector Efficiency ($\mu\text{Ci/ml}$ per cps)
	SF	0.80	Setpoint Safety Factor
	Background	-	Background C.R.
Intermediate Results	C_t ($\mu\text{Ci/ml}$)	5.00E-04	Maximum Concentration
	C_m ($\mu\text{Ci/ml}$)	6.16E-05	Max Concentration of gamma emitters
Calculated Setpoint	C.R. (cps)	1.43E+02	net cps (No Safety Factor)
		1.15E+02	net cps (Includes 0.8 Safety Factor)

MONTICELLO NUCLEAR GENERATING PLANT	ODCM-04.01
Liquid Effluent Calculations	Revision 5
	Page 28 of 29

Table 6 Turbine Building Normal Waste Sump Default Setpoint Calculation

Inputs	$\Sigma(S_i/MPC_i)$	2.00E+03	From Table 1
	S_h	0.877	Fraction of total activity due to Hard to Detect Nuclides
	E	3.42E-09	Detector Efficiency ($\mu\text{Ci/ml}$ per cpm)
	SF	0.80	Setpoint Safety Factor
	Background	-	Background C.R.
Intermediate Results	C_t ($\mu\text{Ci/ml}$)	5.00E-04	Maximum Concentration
	C_m ($\mu\text{Ci/ml}$)	6.16E-05	Max Concentration of gamma emitters
Calculated Setpoint	C.R. (cpm)	1.80E+04	net cpm (No Safety Factor)
		1.44E+04	net cpm (Includes 0.8 Safety Factor)

MONTICELLO NUCLEAR GENERATING PLANT	ODCM-04.01
Liquid Effluent Calculations	Revision 5
	Page 29 of 29

Table 7 Water Storage Pond Transfer System Radiation Monitor Default Setpoint Calculation

Inputs	$\Sigma(S_i/MPC_i)$	2.00E+03	From Table 1
	S_h	0.877	Fraction of total activity due to Hard to Detect Nuclides
	E	1.31E-06	Detector Efficiency ($\mu\text{Ci/ml}$ per cpm)
	SF	0.80	Setpoint Safety Factor
	Background	-	Background C.R.
Intermediate Results	C_w ($\mu\text{Ci/ml}$)	5.00E-04	Maximum Concentration
	C_m ($\mu\text{Ci/ml}$)	6.16E-05	Max Concentration of gamma emitters
Calculated Setpoint	C.R. (cps)	4.69E+01	net cps (No Safety Factor)
		3.75E+01	net cps (Includes 0.8 Safety Factor)

MONTICELLO NUCLEAR GENERATING PLANT	ODCM-05.01
Gaseous Effluent Calculations	Revision 15
	Page 1 of 77

Approval: 61600000220

OFFSITE DOSE CALCULATION MANUAL - TABLE OF CONTENTS

<u>SECTION</u>	<u>PAGE</u>
1.0 RECORD OF REVISION	3
2.0 GASEOUS EFFLUENT CALCULATIONS.....	6
2.1 Monitor Alarm Setpoint Determination	6
2.2 Gaseous Effluent Dose Rate - Compliance With Technical Specifications ..	14
2.3 Gaseous Effluents - Compliance With 10CFR50	18
2.4 Gaseous Effluents – Compliance with 40CFR190	29
2.5 Determination of Onsite Dose	30
2.6 Offgas Release Rate and Gas Holdup Tank Activity	30
2.7 Dose Parameters for Radioiodines, Particulates and Tritium	36
2.8 References.....	45
Figure 1 Gaseous Radwaste	47
Figure 2 Ventilation System.....	48
Table 1 Gaseous Source Terms ⁽¹⁾ Ai, Ci/yr*	49
Table 2 Air Ejector Monitor Trip Setting and Storage Tank Contents Storage Tank Activity in Dose Equivalent Curies Xe-133 12 Hours After Completion of Tank Fill Release Rate Set to 1.00 of Maximum Trip Setting	50
Table 3 Child Critical Organ Dose Parameters for Radionuclide i for the Inhalation Pathway.....	53
Table 4 Dose Factors for Noble Gases and Daughters That May Be Detected in Gaseous Effluents	54
Table 5 Dose Parameters for Elevated Finite Plumes for the Critical Boundary Location 0.51 mi from the Stack in the SSE Sector	55
Table 6 Ri Values for the Monticello Nuclear Generating Plant Ground Pathway	56
Table 7 Ri Values for the Monticello Nuclear Generating Plant Vegetable Pathway Adult Age Group	57
Table 8 Ri Values for the Monticello Nuclear Generating Plant Vegetable Pathway Teen Age Group	58
Table 9 Ri Values for the Monticello Nuclear Generating Plant Vegetable Pathway Child Age Group	59
Table 10 Ri Values for the Monticello Nuclear Generating Plant Meat Pathway Adult Age Group	60
Table 11 Ri Values for the Monticello Nuclear Generating Plant Meat Pathway Teen Age Group	61

MONTICELLO NUCLEAR GENERATING PLANT	ODCM-05.01
Gaseous Effluent Calculations	Revision 15
	Page 2 of 77

Table 12	R _i Values for the Monticello Nuclear Generating Plant Meat Pathway Child Age Group	62
Table 13	R _i Values for the Monticello Nuclear Generating Plant Cow Milk Pathway Adult Age Group	63
Table 14	R _i Values for the Monticello Nuclear Generating Plant Cow Milk Pathway Teen Age Group	64
Table 15	R _i Values for the Monticello Nuclear Generating Plant Cow Milk Pathway Child Age Group	65
Table 16	R _i Values for the Monticello Nuclear Generating Plant Cow Milk Pathway Infant Age Group	66
Table 17	R _i Values for the Monticello Nuclear Generating Plant Goat Milk Pathway Adult Age Group	67
Table 18	R _i Values for the Monticello Nuclear Generating Plant Goat Milk Pathway Teen Age Group	68
Table 19	R _i Values for the Monticello Nuclear Generating Plant Goat Milk Pathway Child Age Group	69
Table 20	R _i Values for the Monticello Nuclear Generating Plant Goat Milk Pathway Infant Age Group	70
Table 21	R _i Values for the Monticello Nuclear Generating Plant Inhalation Pathway Adult Age Group	71
Table 22	R _i Values for the Monticello Nuclear Generating Plant Inhalation Pathway Teen Age Group	72
Table 23	R _i Values for the Monticello Nuclear Generating Plant Inhalation Pathway Child Age Group	73
Table 24	R _i Values for the Monticello Nuclear Generating Plant Inhalation Pathway Infant Age Group	74
Table 25	Table of Radioisotope Constants Used for Offgas Calculations*	75
Table 26	Default Reactor Building Vent WRGM Setpoint (Section 2.1.1.A.)	76
Table 27	Default Plant Stack WRGM Setpoint (Section 2.1.1.B.)	77

MONTICELLO NUCLEAR GENERATING PLANT	ODCM-05.01
Gaseous Effluent Calculations	Revision 15
	Page 3 of 77

1.0 RECORD OF REVISION

<u>Revision No.</u>	<u>Reason for Revision</u>
1	Changed word "waste" to "effluent" in section 1.0, changed 1st sentence in section 2.0 to exact wording in T.S., added section 3.0 to reference section 1.0 word change to LAR 39.
2	Moved previous ODCM-03.01 (GASEOUS EFFLUENTS) into this section and renamed this section "GASEOUS EFFLUENTS CALCULATIONS" to facilitate moving the Radiological Effluents Tech Specs to the ODCM. Moved associated figures and tables into this section to make the section easier to use. Removed references to the unused MIDAS System. Revised references to the X/Q and D/Q values now located in Appendix A.
3	Replaced maximum acceptable flow rate in equation 2.1-9 (85.5 cfm) to the effluent flowrate at the Offgas Pretreatment Monitor.
4	Fixed typographical errors on equations 2.1-4, 2.5-4 and 2.5-5. Removed plant activity uptake through soil factors from equations 2.5-5, 2.5-7 and 2.5-9. This term models plant activity uptake through the soil. Experience has shown this to be an insignificant pathway and the NRC drops it from consideration in NUREG 0133. Removed reference to 10CFR20 in sections 2.0.B., 2.2.1, 2.2, 2.2.1 and 2.2.2. With the revision to 10CFR20, the connection between the 400 and 3000 mRem/yr dose rate limits for gaseous effluent monitor alarm setpoints was broken. These limits still exist, but they are Technical Specification only requirements. Moved sentence about real time x/Q and MIDAS XP computer program in section 2.2.3 to section 2.2.2 where it belongs. Added sentence about historical atmospheric dispersion factors (D/Q) being used to determine critical receptor to section 2.2.3.
5	Changed references for "10CFR100" to "10CFR50.67" as required by License Amendment 148 (Alternate Source Term).
6	Added note to Table 1 stating that the Source terms were calculated in accordance with NUREG-0016 by using USNRC "GALE" Code. Made various format and typographical error corrections.
7	Editorial corrections to several equations as a result of SAR Action (01301985). Added Section 2.5.3 and updated Tables 7 through 21 for Carbon-14 dose factors.
8	Editorial correction to U_{ap} for Cow/Goat-Meat pathway units incorrect. Changed from liters/yr to kg/yr.

MONTICELLO NUCLEAR GENERATING PLANT	ODCM-05.01
Gaseous Effluent Calculations	Revision 15
	Page 4 of 77

1.0 RECORD OF REVISION (Cont)

<u>Revision No.</u>	<u>Reason for Revision</u>
9	<p>Removed references to the use of specific computer programs.</p> <p>Added methodology for projecting doses in Section 2.3.4.</p> <p>Removed reference to calculating real time χ/Q using procedure I.06.07 (ATMOSPHERIC DISPERSION DETERMINATION).</p> <p>Removed weathering factor of plant uptake from direct foliar deposits from equations 2.5.2.C.1, 2.5.2.D.1, and 2.5.2.E.1.</p> <p>Updated Tables 6 - 24 for removed factors in equations 2.5.2.C.1, 2.5.2.D.1, and 2.5.2.E.1.</p> <p>Fixed typographical error in equation 2.5.2.E.2.</p> <p>Updated Carbon-14 calculations and discussion and added equation numbers.</p> <p>Deleted Table 2 as raw data available in Table 5.</p> <p>Corrected reference for Dose Rate Limits from 10CFR20 to Technical Specifications.</p> <p>Changed subscripts on R_i and P_i to improve clarity.</p> <p>Added note that Kr-83m is not included in actual setpoint calculations (AR 01452892).</p> <p>Removed I_i factor from Equations 2.5.2.B.1, 2.5.2.C.1, 2.5.2.D.1, & 2.5.2.E.1. The term accounted for elemental iodine fraction and was not used at Monticello.</p> <p>Elective formatting changes.</p>
10	<p>Added methodology for calculating Noble Gas Total Body and Skin Dose. (AR01520418)</p> <p>Removed references to EBARR computer program and updated discussion regarding release rates and tank activities.</p> <p>Updated fission yields and half lives for noble gases in Table 25 based on EPRI Fuel Reliability Monitoring and Failure Evaluation Handbook (2010).</p> <p>Editorial corrections.</p>
11	<p>Added default setpoint calculation examples as Tables 26-27, in support of AR01537833.</p>
12	<p>Updated default setpoint calculation examples using (χ/Q) data from 2006 to 2010, as implemented in ODCM-APP-A, Rev. 4.</p> <p>Removed the monthly average from setpoint calculations. Monitor setpoints are calculated based on each grab sample.</p> <p>Editorial changes to make Table 2 pages formatted as landscape.</p> <p>Editorial changes to improve readability of equations and text.</p>
13	<p>Updated Equation in 2.2.2.A to include terms for pond dose rate and defined them. Added how terms in equation are determined to following paragraphs. Updated Equation in 2.2.2.B to include term for pond dose rate and defined the term. Updated Equations 2.3.1.C 1 & 2 for gamma air dose to include the pond in calculations and defined the terms. Updated references to all release points in 2.3 to include storage pond X/Q in APP-A. Updated Equation 2.3.2.A to include water storage pond terms and defined them. Added new Section 2.3.6. for Water Storage Pond Releases and the basis of how the release is quantified. Updated default setpoint example calculations with data from ODCM-APP-A Revision 5 which includes meteorological data from 2016-2020.</p>

MONTICELLO NUCLEAR GENERATING PLANT	ODCM-05.01
Gaseous Effluent Calculations	Revision 15
	Page 5 of 77

1.0 RECORD OF REVISION (Cont)

<u>Revision No.</u>	<u>Reason for Revision</u>
14	Correct typographical errors in Table 27.
15	<p>Updated Equation in 2.2.2.A to include terms for ponds 2A, 2B, and 2C dose rate and defined them. Revised terms for Water Storage Pond #1 to identify them as Pond #1. Added how terms in equation are determined to following paragraphs.</p> <p>Updated Equation in 2.2.2.B to include terms for ponds 2A, 2B, and 2C dose rate and defined the term. Revised terms for Water Storage Pond #1 to identify them as Pond #1.</p> <p>Updated Equations 2.3.1.C 1 & 2 for gamma air dose to include ponds 2A, 2B, and 2C in calculations and defined the terms. Revised terms for Water Storage Pond #1 to identify them as Pond #1. Updated references to all release points in 2.3 to include Water Storage Ponds 2A, 2B, and 2C X/Q in APP-A.</p> <p>Updated Equation 2.3.2.A to include Water Storage Ponds 2A, 2B, and 2C terms and defined them. Revised terms for Water Storage Pond #1 to identify them as Pond #1.</p> <p>Revised Section 2.3.6 for Water Storage Pond Releases with updated information following changes to design and plans including Ponds 2A, 2B, and 2C.</p>

MONTICELLO NUCLEAR GENERATING PLANT	ODCM-05.01
Gaseous Effluent Calculations	Revision 15
	Page 6 of 77

2.0 GASEOUS EFFLUENT CALCULATIONS

This section describes the procedures used by MNGP to:

- A. Determine alarm point settings for gaseous effluent monitors;
- B. Determine that dose rates at the site boundary from noble gases, particulates, and iodines remain below the limits of Technical Specifications, and
- C. Determine that the total dose from airborne effluents for the year is within the limits of Appendix I of 10CFR50.

The computations of this section may be done manually, by use of computer programs which implement these algorithms.

2.1 Monitor Alarm Setpoint Determination

This procedure determines the effluent monitor alarm setpoint that indicates if the dose rate at or beyond the site boundary due to noble gas radionuclides in the gaseous effluent released from the site exceeds 500 mrem/year to the whole body or exceeds 3000 mrem/year to the skin. Accident monitors are set to limit effluent releases to a small fraction of the limits specified in 10CFR50.67. In addition, this section calculates the maximum activity permitted in each off-gas storage tank.

Monitor high alarm or isolation setpoints are established in one of the following ways:

1. At least monthly, perform calculation of setpoints using the methodology of Section 2.1.1 for noble gas nuclides in releases during the previous release period.
2. Prior to each containment purge, recalculation of the setpoint using the methodology of Section 2.1.1 based on the sample taken prior to purging.

MONTICELLO NUCLEAR GENERATING PLANT	ODCM-05.01
Gaseous Effluent Calculations	Revision 15
	Page 7 of 77

2.1.1 Effluent Monitors

Monitor alarm setpoints are determined to assure compliance with Technical Specifications. The setpoints indicate that the dose rate at or beyond the site boundary due to noble gas radionuclides in the gaseous effluent released from the site exceeds 500 mrem/year to the whole body or exceeds 3000 mrem/year to the skin.

Monitor alarm setpoints are calculated for the Reactor Building Ventilation Plenum Noble Gas monitors and the Stack Noble Gas monitors at least once per month. These calculations are based on the noble gas isotopes in releases made during the previous release period.

In addition, prior to containment purging, the monitor setpoint for the monitor release point is recalculated. The monitor setpoint is determined as follows:

1. If no detectable noble gas activity is found in the purge sample, the values used as the basis for the alarm point setting are from the column, "Drywell purging" in Table 1, Gaseous Source Terms.
2. If any calculated setpoint is less than the existing monitor setpoint, the setpoint is reduced to the new value.
3. If the calculated setpoint is greater than the existing monitor setpoint, the setpoint may remain at the lower value or be increased to the new value.
4. The setpoint during purging may not be increased above the setpoint determined for continuous releases, however.

The small amount of containment atmosphere released by the containment sampling system on a continuous basis is not considered a venting operation.

A. Reactor Building Vent Alarm Setpoint

The following method applies to gaseous releases via the Reactor Building vent (RBV) when determining the high-high alarm setpoint for the Reactor Building Vent Noble Gas Monitor. This method is applied to both continuous releases and batch releases (containment inerting and deinerting).

1. Determine the "mix" (noble gas radionuclides and composition) of the gaseous effluent.
 - a. Determine the gaseous source terms that are representative of the "mix" of the gaseous effluent. Gaseous source terms are based on a representative analysis of the gaseous effluent.

MONTICELLO NUCLEAR GENERATING PLANT	ODCM-05.01
Gaseous Effluent Calculations	Revision 15
	Page 8 of 77

Table 1 source terms may be used if no detectable activity was found in the grab samples.

- b. Determine S_i , the fraction of the total radioactivity in the gaseous effluent comprised by noble gas radionuclide "i", for each individual noble gas radionuclide in the gaseous effluent.

$$1) \quad S_i = \frac{A_i}{\sum_i A_i}$$

where

A_i = The radioactivity of noble gas radionuclide "i" in the gaseous effluent.

2. Determine Q_t , the maximum acceptable total release rate of all noble gas radionuclides in the gaseous effluent ($\mu\text{Ci}/\text{sec}$), based upon the whole body exposure limit (500 mrem/yr).

$$a. \quad Q_t = \frac{500}{(\chi/Q)_v \sum_i K_i S_i}$$

where

$(\chi/Q)_v$ = The highest calculated average relative concentration of effluents released via the Reactor Building vent for any area at or beyond the site boundary for all sectors (sec/m^3) from Appendix A, Table 3. For purge releases, substitute the value obtained from Appendix A, Table 12.

K_i = The total whole body dose factor due to gamma emissions from noble gas radionuclide "i" (mrem/year per $\mu\text{Ci}/\text{m}^3$) from Table 4.

S_i = The fraction of the total radioactivity in the RBV gaseous effluent comprised by noble gas "i" from 2.1.1.A.1.b.1) above (unitless).

MONTICELLO NUCLEAR GENERATING PLANT	ODCM-05.01
Gaseous Effluent Calculations	Revision 15
	Page 9 of 77

3. Determine Q_t based upon the skin exposure limit (3000 mrem/yr).

- a.
$$Q_t = \frac{3000}{(\chi/Q)_v \sum_i (L_i + 1.1 M_i) S_i}$$

where

L_i = Skin Dose Factor (mrem/yr per $\mu\text{Ci}/\text{m}^3$)

1.1 = conversion from mrad to mrem.

M_i = Gamma Air Dose Factor (mrad/yr per $\mu\text{Ci}/\text{m}^3$)

4. Determine HHSP (the monitor high-high alarm setpoint above background (net $\mu\text{Ci}/\text{sec}$)).

NOTE: Use the lowest of the Q_t values obtained in Sections 2.1.1.A.2. and 2.1.1.A.3 as calculated using the previous release period or the GALE Code values.

- a. $\text{HHSP} = 0.50 Q_t$

0.50 = Fraction of the total radioactivity from the site via the monitored release point to ensure that the site boundary limit is not exceeded due to simultaneous releases from several release points.

B. Stack Isolation Setpoint

The following method applies to gaseous releases via the Stack when determining the high-high alarm setpoint for the Stack Gas Monitor which initiates isolation of Stack releases. The method is applied to both continuous releases and batch releases (containment inerting and deinerting). Mechanical vacuum pump releases (relatively insignificant) will be controlled using the continuous setpoint.

1. Determine the "mix" (noble gases and composition) of the gaseous effluent.
 - a. Determine the gaseous source terms that are representative of the "mix" of the gaseous effluent. Gaseous source terms are based on a representative analysis of the gaseous effluent. Table 1 source terms may be used if the Stack or pre-Purge grab samples were below the lower limits of detection (LLD).

MONTICELLO NUCLEAR GENERATING PLANT	ODCM-05.01
Gaseous Effluent Calculations	Revision 15
	Page 10 of 77

- b. Determine S_i , the fraction of the total radioactivity in the gaseous effluent comprised by noble gas radionuclide "i", for each individual noble gas radionuclide in the gaseous effluent.

$$1) \quad S_i = \frac{A_i}{\sum_i A_i}$$

where

A_i = The radioactivity of noble gas radionuclide "i" in the gaseous effluent.

2. Determine Q_t , the maximum acceptable total release rate of all noble gas radionuclides in the gaseous effluent ($\mu\text{Ci}/\text{sec}$), based upon the whole body exposure limit (500 mrem/yr).

$$a. \quad Q_t = \frac{500}{\sum_i V_i S_i}$$

NOTE: For short-term batch releases (equal to or less than 500 hrs/yr) via drywell purging, substitute v_i for V_i in Equation 2.1.1.B.2.a.

where

V_i = The constant for long-term releases (greater than 500 hr/yr) for noble gas radionuclide "i" accounting for the gamma radiation from the elevated finite plume (mrem/year per $\mu\text{Ci}/\text{sec}$) from Table 5.

v_i = The constant for short-term releases (equal to or less than 500hr/yr) for noble gas radionuclide "i" accounting for the gamma radiation from the elevated finite plume (mrem/yr per $\mu\text{Ci}/\text{sec}$) from Table 5.

S_i = The fraction of the total radioactivity in the Stack gaseous effluent comprised by noble gas "i" from 2.1.1.B.1.b.1) above (unitless).

MONTICELLO NUCLEAR GENERATING PLANT	ODCM-05.01
Gaseous Effluent Calculations	Revision 15
	Page 11 of 77

3. Determine Q_t based upon the skin exposure limit (3000 mrem/yr).

- a.
$$Q_t = \frac{3000}{\sum_i (L_i(\chi/Q)_s + 1.1 B_i) S_i}$$

NOTE: For short-term batch releases (equal to or less than 500 hours per year) via drywell purging, use the short-term $(\chi/q)_s$ value and substitute b_i for B_i in Equation 2.1.1.B.3.a.

where

L_i = Skin Dose Factor (mrem/yr per $\mu\text{Ci}/\text{m}^3$) from Table 4.

1.1 = conversion from mrad to mrem.

B_i = The constant for long-term releases (greater than 500 hr/yr) for noble gas radionuclide "i" accounting for the gamma radiation from the elevated finite plume (mrem/year per mCi/sec) from Table 5.

b_i = The constant for short-term releases (greater than 500 hr/yr) for noble gas radionuclide "i" accounting for the gamma radiation from the elevated finite plume (mrem/year per mCi/sec) from Table 5.

4. Determine HHSP (the monitor high-high alarm setpoint above background ($\mu\text{Ci}/\text{sec}$)).

NOTE: Use the lowest of the Q_t values obtained in sections 2.1.1.B.2 and 2.1.1.B.3 as calculated using the previous release period or the GALE Code values.

- a. $\text{HHSP} = 0.50 Q_t$

where

0.50 = Fraction of the total radioactivity from the site via the monitored release point to ensure that the site boundary limit is not exceeded due to simultaneous releases from several release points.

MONTICELLO NUCLEAR GENERATING PLANT	ODCM-05.01
Gaseous Effluent Calculations	Revision 15
	Page 12 of 77

2.1.2 Accident Monitors

The gross radioactivity in noble gases removed from the main condenser by means of steam jet air ejectors as measured prior to entering the treatment, adsorption, and delay systems **SHALL** be limited by an alarm setpoint for the Offgas Monitor.

This procedure determines the monitor alarm setpoint that indicates if the potential body accident dose to an individual at or beyond the site boundary due to noble gas radionuclides in the gaseous effluent released from the site exceeds a small fraction of the limits specified in 10CFR50.67 in the event this effluent, including the radioactivity accumulated in the treatment system, is inadvertently discharged directly to the environment without treatment. Offgas flow is automatically terminated when this setpoint is reached.

A. Maximum Release Rate

Determine Q_{tot} , the maximum acceptable total release rate in $\mu\text{Ci}/\text{sec}$ of all noble gas radionuclides in the gaseous effluent at the Offgas Monitor after a 5-minute decay, based on the maximum acceptable total release rate of $2.60\text{E}5 \mu\text{Ci}/\text{sec}$ after a 30-minute decay.

1. Determine the offgas mixture of the gaseous effluent. The offgas mixture is the fraction of the offgas noble gas radioactivity caused by each recoil diffusion, and equilibrium component. The offgas mixture is determined at least once per month.
2. Determine Q_{tot} based on the offgas mixture using Table 2. This table was prepared using a variation of the methodology described in Section 2.6.

B. Maximum Concentration

Determine C_t , the maximum acceptable total radioactivity concentration of all noble gas radionuclides in the gaseous effluent ($\mu\text{Ci}/\text{cc}$).

$$1. \quad C_t = 2.12 \text{ E-}03 \frac{Q_{tot}}{f}$$

where

f = The effluent flowrate at the Offgas Pretreatment Monitor (cfm);

$2.12\text{E-}03$ = Inverse conversion factor from cfm to cc/sec (ft^3/min per cm^3/sec).

Q_{tot} = The maximum acceptable total release rate at 5 minutes for a given offgas mixture from Table 2 ($\mu\text{Ci}/\text{sec}$).

MONTICELLO NUCLEAR GENERATING PLANT	ODCM-05.01
Gaseous Effluent Calculations	Revision 15
	Page 13 of 77

C. Monitor Reading

Determine C.R., the calculated monitor reading above background attributed to the noble gas radionuclides (mR/hr).

$$1. \quad C.R. = \frac{C_t}{E}$$

where

E = The detection efficiency of the monitor for noble gas radionuclides represented in main condenser offgas ($\mu\text{Ci}/\text{cc}$ per mR/hr) from Plant Chemistry Surveillance procedures.

D. Monitor High High Setpoint

The monitor high-high alarm setpoint above background (mR/hr) should be set at or below the C.R. value.

2.1.3 Offgas Storage Tank Maximum Activity

The maximum activity in each storage tank is limited to less than 22,000 curies of noble gas (considered as dose equivalent Xe-133) after 12 hours of holdup. To verify that this limit is not exceeded, Table 2 is used.

The gross radioactivity of noble gases from the main condenser air ejector is determined by isotopic analysis monthly and whenever a significant increase in offgas activity is noted. Analysis of this data is used to determine the primary mode of fission product release from the fuel (recoil, equilibrium, or diffusion) and the gross release rate. This information combined with the condenser air inleakage rate (cfm) and the air ejector monitor release rate is used to confirm that the maximum tank contents limit is not exceeded.

Table 2 is entered with the offgas mixture (fraction recoil, diffusion, and equilibrium rounded to one decimal place) and the air inleakage rate (in cfm). The resulting tank activity is multiplied by the current total release rate after a 30 minute decay ($\mu\text{Ci}/\text{sec}$) and divided by the maximum permitted air ejector release rate of 260,000 $\mu\text{Ci}/\text{sec}$. Linear interpolation of air inleakage is used.

As noted earlier, Table 2 is derived from the methodology described in Section 2.6. It is extremely unlikely that the maximum tank activity limit will be exceeded.

MONTICELLO NUCLEAR GENERATING PLANT	ODCM-05.01
Gaseous Effluent Calculations	Revision 15
	Page 14 of 77

2.2 Gaseous Effluent Dose Rate - Compliance With Technical Specifications

Dose rates resulting from the release of noble gases, and from radioiodines and particulates must be calculated to show compliance with Technical Specification 5.5.3. The dose rate limits of Technical Specifications are conservatively applied on an instantaneous basis at the hypothetical worst case location.

2.2.1 Noble Gases

The dose rate in unrestricted areas resulting from noble gas effluents is limited to 500 mrem/yr to the total body and 3000 mrem/yr to the skin. The setpoint determinations discussed in the previous section are based on the dose rate calculation method presented in NUREG-0133⁽⁴⁾. This represents a backward solution to the limiting dose rate equations in NUREG-0133. Setting alarm trip setpoints in this manner will ensure that the limits of Technical Specifications are met for noble gas releases. Therefore, no routine dose rate calculations for noble gases will be needed to show compliance with this part.

2.2.2 Radioiodine and Radioactive Particulates and Other Radionuclides

The dose rate in unrestricted areas resulting from the release of radioiodines and particulates with half-lives greater than 8 days is limited by Technical Specifications to 1500 mrem/yr to any organ. The calculation of dose rate from radioiodines and particulates is performed for drywell purges prior to the release and weekly for all releases. The calculations are based on the results of analyses obtained pursuant to Surveillance Requirement 3.1.4.B. To show compliance with Technical Specifications, Equation 2.2.2.A will be evaluated for I-131, I-133, tritium, and radioactive particulates with half-lives greater than eight days.

$$A. \quad \sum P_{i \text{ (inhalation)}} [(\chi/Q)_v Q_{iv} + (\chi/Q)_s Q_{is} + (\chi/Q)_{p1} Q_{ip1} + (\chi/Q)_{p2A} Q_{ip2A} + (\chi/Q)_{p2B} Q_{ip2B} + (\chi/Q)_{p2C} Q_{ip2C}] < 1500 \text{ mrem/yr}$$

where

$P_{i \text{ (inhalation)}}$ = child critical organ dose parameter for radionuclide i for the inhalation pathway, mrem/yr per $\mu\text{Ci}/\text{m}^3$, (Table 3)

$(\chi/Q)_v$ = annual average relative concentration for long term release from the Reactor Building vent at the critical location, sec/m^3 (Appendix A, Table 3);

$(\chi/Q)_s$ = annual average relative concentration for long term releases from the offgas stack at the critical location, sec/m^3 (Appendix A, Table 6);

MONTICELLO NUCLEAR GENERATING PLANT	ODCM-05.01
Gaseous Effluent Calculations	Revision 15
	Page 15 of 77

- $(\chi/Q)_{p1}$ = annual average relative concentration for long term releases from Water Storage Pond #1 at the critical location, sec/m³ (Appendix A, Table 16);
- $(\chi/Q)_{p2A}$ = annual average relative concentration for long term releases from Water Storage Pond #2A at the critical location, sec/m³ (Appendix A, Table 21);
- $(\chi/Q)_{p2B}$ = annual average relative concentration for long term releases from Water Storage Pond #2B at the critical location, sec/m³ (Appendix A, Table 21);
- $(\chi/Q)_{p2C}$ = annual average relative concentration for long term releases from Water Storage Pond #2C at the critical location, sec/m³ (Appendix A, Table 21);
- Q_{ip1} = the release rate of radionuclide i from Water Storage Pond #1 for the week of interest, $\mu\text{Ci/sec}$;
- Q_{ip2A} = the release rate of radionuclide i from Water Storage Pond #2A for the week of interest, $\mu\text{Ci/sec}$;
- Q_{ip2B} = the release rate of radionuclide i from Water Storage Pond #2B for the week of interest, $\mu\text{Ci/sec}$;
- Q_{ip2C} = the release rate of radionuclide i from Water Storage Pond #2C for the week of interest, $\mu\text{Ci/sec}$;
- Q_{iv} = the release rate of radionuclide i from the Reactor Building vent for the week of interest, $\mu\text{Ci/sec}$;
- Q_{is} = the release rate of radionuclide i from the offgas stack for the week of interest, $\mu\text{Ci/sec}$.

The χ/Q values presented in Appendix A, Table 3, Table 6, Table 15, and Table 21 have been calculated using the USNRC computer code "XOQDOQ"⁽⁵⁾. Dose rate calculations using Equation 2.2.2.A are made once per week. The source terms Q_{iv} and Q_{is} are determined from the results of analysis of weekly stack and Reactor Building particulate filters and charcoal cartridges. Q_{ip1} , Q_{ip2A} , Q_{ip2B} , and Q_{ip2C} are determined from the analysis of volume and activity changes in the respective water storage pond. These source terms include all gaseous releases from MNGP. They are recorded and reported as the total dose for compliance with Technical Specifications.

MONTICELLO NUCLEAR GENERATING PLANT	ODCM-05.01
Gaseous Effluent Calculations	Revision 15
	Page 16 of 77

Radioiodines and particulates may be released from both the offgas stack and the Reactor Building vent. As specified in NUREG-0133, the critical receptor location is identified based on the Reactor Building vent χ/Q . Radioiodines and particulates may also be released from the water storage ponds, however, this is expected to be a less significant release point of gammas. The inputs to the ponds are verified to be below detectable concentrations gammas before addition.

A component of the total stack or vent source term may be due to short term releases occurring as a result of containment drywell purging. Dose rate calculations are made on this component separately to further assure compliance with Technical Specifications prior to release. The calculated dose rate is used only to determine whether or not the drywell can be purged. All dose rates from drywell purges will be accounted for and reported through the weekly calculations discussed above. Release rates are determined from the results of analyses of samples from the drywell.

The term Q_{is} for the calculation of drywell purge dose rate is determined by multiplying the concentration of each nuclide in the drywell by the rate of release. Credit will be taken for the expected reduction in radionuclide concentration due to use of the standby gas treatment system. Equation 2.2.2.B is used to calculate purge dose rates. Only one source term is used depending on the release point (stack or Reactor Building vent). Short term values of χ/q from Appendix A, Table 9 or Table 12 are used in the purge dose rate calculation. The limiting dose rate limit for each purge is determined using:

MONTICELLO NUCLEAR GENERATING PLANT	ODCM-05.01
Gaseous Effluent Calculations	Revision 15
	Page 17 of 77

B. $BL = 1500 - (D_{cv} + D_{cs} + D_{cp1} + D_{cp2A} + D_{cp2B} + D_{cp2C} - D_{dw})$

where

BL = limiting dose rate for the batch, mrem/yr;

1500 = the instantaneous dose rate limit for Iodines, Tritium and Particulates w/ $t_{1/2} > 8$ days from ODCM-03.01, Control 2.1.1.A.2. (mrem/year)

D_{cv} = previous week's dose rate from Reactor Building continuous and batch releases, mrem/yr;

D_{cs} = previous week's dose rate from offgas stack continuous and batch releases, mrem/yr;

D_{dw} = previous week's total dose rate from drywell purge releases, mrem/yr, for the purge release point.

D_{cp1} = previous week's dose rate from Water Storage Pond #1 continuous and batch releases, mrem/yr.

D_{cp2A} = previous week's dose rate from Water Storage Pond #2A continuous and batch releases, mrem/yr.

D_{cp2B} = previous week's dose rate from Water Storage Pond #2B continuous and batch releases, mrem/yr

D_{cp2C} = previous week's dose rate from Water Storage Pond #2C continuous and batch releases, mrem/yr.

Although mechanical vacuum pump releases are batch mode, they cannot be sampled prior to release. For this reason, no prerelease dose rate calculations can be made from this source. Experience has shown mechanical vacuum pump release to be well within Technical Specifications limits.

2.2.3 Critical Receptor Identification

As stated in 5.2.1 of NUREG-0133, when the critical receptor is different for stack and vent releases, the controlling location for vent releases should be used. For this reason, the Reactor Building vent dispersion parameters are used to identify the critical receptor. (Historical Atmospheric Dispersion factors (D/Q) are used for determining the critical receptor (App A, Table 5).) As discussed previously, weekly and batch dose rate calculations are performed for the critical boundary location. The critical boundary location is based on reactor vent long term χ/Q (Appendix A, Table 3) is 0.43 miles in the SSE sector.

MONTICELLO NUCLEAR GENERATING PLANT	ODCM-05.01
Gaseous Effluent Calculations	Revision 15
	Page 18 of 77

2.3 Gaseous Effluents - Compliance With 10CFR50

Doses resulting from the release of noble gases, and radioiodines and particulates must be calculated to show compliance with Appendix I of 10CFR50. The calculations are performed at least monthly for all gaseous effluents.

This section describes the methods and equations used at MNGP to perform the dose evaluation using manual methods based on historical meteorological dispersion parameters.

2.3.1 Noble Gases

The air dose in unrestricted areas at MNGP is limited to:

A. for any calendar quarter:

$$D_{\gamma} \leq 5 \text{ mrad due to gamma radiation; and}$$

$$D_{\beta} \leq 10 \text{ mrad due to beta radiation; and}$$

B. for any calendar year:

$$D_{\gamma} \leq 10 \text{ mrad due to gamma radiation; and}$$

$$D_{\beta} \leq 20 \text{ mrad due to beta radiation.}$$

Air doses may be calculated using historical meteorological data using the highest normalized concentration statistics as the best estimator of the atmospheric dispersion.

C. Air Dose Based on Historical Meteorology

The limiting air dose, D, based on historical meteorology is based on the critical receptor in the unrestricted area. For air doses the critical receptor is described by the off-site location with the highest long term annual average relative concentration (χ/Q) at or beyond the restricted area boundary. For short-term vent releases (less than 500 hours per year), the location with the highest short-term average relative concentration (χ/q) is chosen. The critical receptor is described in Section 2.3.5.

For gamma radiation, the air dose is given by:

$$1. \quad D_{\gamma} = 3.17 \times 10^{-8} * \sum_i (M_i \left[\left(\frac{\chi}{Q} \right)_v Q_{iv} + \left(\frac{\chi}{q} \right)_v q_{iv} + \left(\frac{\chi}{Q} \right)_{p_1} Q_{ip_1} + \right. \\ \left. \left(\frac{\chi}{q} \right)_{p_1} q_{ip_1} + \left(\frac{\chi}{Q} \right)_{p_{2A}} Q_{ip_{2A}} + \left(\frac{\chi}{q} \right)_{p_{2A}} q_{ip_{2A}} + \right. \\ \left. \left(\frac{\chi}{Q} \right)_{p_{2B}} Q_{ip_{2B}} + \left(\frac{\chi}{q} \right)_{p_{2B}} q_{ip_{2B}} + \left(\frac{\chi}{Q} \right)_{p_{2C}} Q_{ip_{2C}} + \right. \\ \left. \left(\frac{\chi}{q} \right)_{p_{2C}} q_{ip_{2C}} \right] + B_i Q_{is} + b_i q_{is})$$

The historical meteorological data base is the basis for the method described in the original MNGP ODCM.

For beta radiation, the air dose is:

$$2. \quad D_{\beta} = 3.17 \times 10^{-8} * \sum_i (N_i \left[\left(\frac{\chi}{Q} \right)_v Q_{iv} + \left(\frac{\chi}{q} \right)_v q_{iv} + \left(\frac{\chi}{Q} \right)_{p_1} Q_{ip_1} + \left(\frac{\chi}{q} \right)_{p_1} q_{ip_1} + \left(\frac{\chi}{Q} \right)_{p_{2A}} Q_{ip_{2A}} + \left(\frac{\chi}{q} \right)_{p_{2A}} q_{ip_{2A}} + \left(\frac{\chi}{Q} \right)_{p_{2B}} Q_{ip_{2B}} + \left(\frac{\chi}{q} \right)_{p_{2B}} q_{ip_{2B}} + \left(\frac{\chi}{Q} \right)_{p_{2C}} Q_{ip_{2C}} + \left(\frac{\chi}{q} \right)_{p_{2C}} q_{ip_{2C}} + \left(\frac{\chi}{Q} \right)_s Q_{is} + \left(\frac{\chi}{q} \right)_s q_{is} \right]$$

where

- M_i = The air dose factor due to gamma emission for each identified noble gas radionuclide i , mrad/yr per $\mu\text{Ci}/\text{m}^3$; (Table 4)
- N_i = the air dose factor due to beta emissions for each identified noble gas radionuclide i , mrad/yr per $\mu\text{Ci}/\text{m}^3$; (Table 4)
- $(\chi/Q)_v$ = the annual average relative concentration for areas at or beyond the site boundary for long-term Reactor Building vent releases (greater than 500 hr/yr), sec/m^3 , (Appendix A, Table 3);
- $(\chi/q)_v$ = the relative concentration for areas at or beyond the site boundary for short-term Reactor Building vent releases (equal to or less than 500 hr/yr), sec/m^3 , (Appendix A, Table 12);
- $(\chi/Q)_{p1}$ = the annual average relative concentration for areas at or beyond the site boundary for long-term Water Storage Pond #1 releases (greater than 500 hr/yr), sec/m^3 , (Appendix A, Table 15);
- $(\chi/q)_{p1}$ = the annual average relative concentration for areas at or beyond the site boundary for short-term Water Storage Pond #1 releases (less than or equal to 500 hr/yr), sec/m^3 , (Appendix A, Table 18);
- $(\chi/Q)_{p2A}$ = the annual average relative concentration for areas at or beyond the site boundary for long-term Water Storage Pond #2A releases (greater than 500 hr/yr), sec/m^3 ,

MONTICELLO NUCLEAR GENERATING PLANT	ODCM-05.01
Gaseous Effluent Calculations	Revision 15
	Page 20 of 77

(Appendix A, Table 21);

$(\chi/Q)_{p2B}$ = the annual average relative concentration for areas at or beyond the site boundary for long-term Water Storage Pond #2B releases (greater than 500 hr/yr), sec/m³, (Appendix A, Table 21);

$(\chi/Q)_{p2C}$ = the annual average relative concentration for areas at or beyond the site boundary for long-term Water Storage Pond #2C releases (greater than 500 hr/yr), sec/m³, (Appendix A, Table 21);

$(\chi/q)_{p2A}$ = the annual average relative concentration for areas at or beyond the site boundary for short-term Water Storage Pond #2A releases (greater than 500 hr/yr), sec/m³, (Appendix A, Table 24);

$(\chi/q)_{p2B}$ = the annual average relative concentration for areas at or beyond the site boundary for short-term Water Storage Pond #2B releases (greater than 500 hr/yr), sec/m³, (Appendix A, Table 24);

$(\chi/q)_{p2C}$ = the annual average relative concentration for areas at or beyond the site boundary for short-term Water Storage Pond #2C releases (greater than 500 hr/yr), sec/m³, (Appendix A, Table 24);

$(\chi/Q)_s$ = the annual average relative concentration for areas at or beyond the site boundary for long-term offgas stack releases (greater than 500 hr/yr), sec/m³ (Appendix A, Table 6);

$(\chi/q)_s$ = the relative concentration for areas at or beyond the site boundary for short-term offgas stack releases (equal to or less than 500 hr/yr), sec/m³ (Appendix A, Table 9);

q_{ip1} the average total release of the noble gas radionuclide i in gaseous effluents for short-term Water Storage Pond #1 releases (equal to or less than 500 hr/yr), μCi ;

q_{is} = the average release of the noble gas radionuclide i in gaseous effluents for short-term offgas stack releases (equal to or less than 500 hr/yr), μCi ;

MONTICELLO NUCLEAR GENERATING PLANT	ODCM-05.01
Gaseous Effluent Calculations	Revision 15
	Page 21 of 77

- q_{iv} = the average total release of the noble gas radionuclide i in gaseous effluents for short-term Reactor Building vent releases (equal to or less than 500 hr/yr), μCi ;
- Q_{ip1} = the total release of noble gas radionuclide i in gaseous releases for long-term Water Storage Pond #1 releases (greater than 500 hr/yr), μCi ;
- Q_{ip2A} = the total release of noble gas radionuclide i in gaseous releases for long-term Water Storage Pond #2A releases (greater than 500 hr/yr), μCi ;
- Q_{ip2B} = the total release of noble gas radionuclide i in gaseous releases for long-term Water Storage Pond #2B releases (greater than 500 hr/yr), μCi ;
- Q_{ip2C} = the total release of noble gas radionuclide i in gaseous releases for long-term Water Storage Pond #2C releases (greater than 500 hr/yr), μCi ;
- q_{i2A} = the average total release of the noble gas radionuclide i in gaseous effluents for short-term Water Storage Pond #2A releases (equal to or less than 500 hr/yr), μCi ;
- q_{i2B} = the average total release of the noble gas radionuclide i in gaseous effluents for short-term Water Storage Pond #2B releases (equal to or less than 500 hr/yr), μCi ;
- q_{i2C} = the average total release of the noble gas radionuclide i in gaseous effluents for short-term Water Storage Pond #2C releases (equal to or less than 500 hr/yr), μCi ;
- Q_{is} = the total release of noble gas radionuclide i in gaseous releases for long-term offgas stack releases (greater than 500 hr/yr), μCi ;
- Q_{iv} = the total release of noble gas radionuclide i in gaseous effluents for long-term Reactor Building vent releases (greater than 500 hr/yr), μCi ;

MONTICELLO NUCLEAR GENERATING PLANT	ODCM-05.01
Gaseous Effluent Calculations	Revision 15
	Page 22 of 77

B_i = the constant for long-term releases (greater than 500 hr/yr) for each identified noble gas radionuclide i accounting for the gamma radiation from the elevated finite plume, mrad/yr per $\mu\text{Ci}/\text{sec}$ (Table 5);

b_i = the constant for short-term releases (less than or equal to 500hr/yr) for each identified noble gas radionuclide i accounting for the gamma radiation from the elevated finite plume, mrad/yr per $\mu\text{Ci}/\text{sec}$ (Table 5);

3.17×10^{-8} = the inverse of the number of seconds in a year. (years/sec)

Noble gases are continuously released from the Reactor Building vent and the plant stack. These long-term releases rates are determined from the continuous noble gas monitor readings and periodic radionuclide analyses. There are infrequent containment purges from either release point. To separate the short-term release from the long term release (the continuous monitor records both), the drywell source term should be subtracted from the total source term whenever a purge release occurs. Periodic radionuclide analysis of main condenser offgas and radionuclide analysis of each purge prior to release are used in conjunction with the total activity measured by the monitor to quantify individual noble gas nuclides released.

Long-term and short-term χ/Q 's are given in Appendix A for the reactor building vent, the plant stack, and the Water Storage Ponds. Short-term χ/q 's were calculated using the USNRC computer code "XOQDOQ" assuming 144 hours per year drywell purge. Values of M and N were calculated using the methodology presented in NUREG-0133 and are given in Table 4. Table 5 presents values of B_i and b_i calculated using the USNRC computer code "RABFIN." This code was also used to calculate values of V_i presented in section 1.0. Values of v_i , were calculated by multiplying V_i by the ratio of b_i to B_i . The v_i , B_i , and b_i values of Table 5 are the maximum values for the site boundaries location. This location, 0.51 mi SSE, is different than the critical site boundary location based upon the Reactor Building vent χ/Q .

MONTICELLO NUCLEAR GENERATING PLANT	ODCM-05.01
Gaseous Effluent Calculations	Revision 15
	Page 23 of 77

2.3.2 Radioiodine, Particulates, and Other Radionuclides

The dose, D_{aj} , to an individual from radioiodines, radioactive materials in particulate form and radionuclides other than noble gases with half-lives greater than eight days in gaseous effluents released to unrestricted areas **SHALL** be limited to:

$$D_{aj} \leq 7.5 \text{ mrem for any calendar quarter}$$

$$D_{aj} \leq 15 \text{ mrem for any calendar year}$$

These limits apply to the receptor location where the combination of existing pathways and age groups indicates the maximum exposure.

A. Dose from Radioiodines and Particulates Based on Historical Meteorology

The worst case dose to an individual from I-131, tritium and radioactive particulates with half-lives greater than eight days in gaseous effluents released to unrestricted areas is determined by the following expressions:

$$1. \quad D_{aj} = 3.17 \times 10^{-8} * \sum i \sum p (R_{iapj} * [W_v Q_{iv} + w_v q_{iv} + W_s Q_{is} + w_s q_{is} + W_{p1} Q_{ip1} + w_{p1} q_{ip1} + W_{p2A} Q_{ip2A} + w_{p2A} q_{ip2A} + W_{p2B} Q_{ip2B} + w_{p2B} q_{ip2B} + W_{p2C} Q_{ip2C} + w_{p2C} q_{ip2C}])$$

where

Q_{ip1} = release of radionuclide i for long-term Water Storage Pond #1 releases (greater than 500 hr/yr), μCi ;

Q_{ip2A} = release of radionuclide i for long-term Water Storage Pond #2A releases (greater than 500 hr/yr), μCi ;

Q_{ip2B} = release of radionuclide i for long-term Water Storage Pond #2B releases (greater than 500 hr/yr), μCi ;

Q_{ip2C} = release of radionuclide i for long-term Water Storage Pond #2C releases (greater than 500 hr/yr), μCi ;

Q_{is} = release of radionuclide i for long-term offgas stack releases (greater than 500 hr/yr), μCi ;

Q_{iv} = release of radionuclide i for long-term Reactor Building vent releases (greater than 500 hr/yr), μCi ;

MONTICELLO NUCLEAR GENERATING PLANT	ODCM-05.01
Gaseous Effluent Calculations	Revision 15
	Page 24 of 77

- Q_{ip1} = release of radionuclide i for short-term Water Storage Pond #1 releases (equal to or less than 500 hr/yr); μCi ;
- Q_{ip2A} = release of radionuclide i for short-term Water Storage Pond #2A releases (equal to or less than 500 hr/yr); μCi ;
- Q_{ip2B} = release of radionuclide i for short-term Water Storage Pond #2B releases (equal to or less than 500 hr/yr); μCi ;
- Q_{ip2C} = release of radionuclide i for short-term Water Storage Pond #2C releases (equal to or less than 500 hr/yr); μCi ;
- Q_{is} = release of radionuclide i for short-term offgas stack purge releases (equal to or less than 500 hr/yr); μCi ;
- Q_{iv} = release of radionuclide i for short-term Reactor Building vent purge releases (equal to or less than 500 hr/yr); μCi ;
- W_{p1} = the dispersion parameter for estimating the dose to an individual at the controlling location for long-term Water Storage Pond #1 greater than 500 hr/yr), sec/m^3 or m^{-2} ;
- W_{p2A} = the dispersion parameter for estimating the dose to an individual at the controlling location for long-term Water Storage Pond #2A releases (greater than 500 hr/yr), sec/m^3 or m^{-2} ;
- W_{p2B} = the dispersion parameter for estimating the dose to an individual at the controlling location for long-term Water Storage Pond #2B releases (greater than 500 hr/yr), sec/m^3 or m^{-2} ;
- W_{p2C} = the dispersion parameter for estimating the dose to an individual at the controlling location for long-term Water Storage Pond #2C releases (greater than 500 hr/yr), sec/m^3 or m^{-2} ;
- W_s = the dispersion parameter for estimating the dose to an individual at the controlling location for long-term offgas stack releases (greater than 500 hr/yr), sec/m^3 or m^{-2} ;

MONTICELLO NUCLEAR GENERATING PLANT	ODCM-05.01
Gaseous Effluent Calculations	Revision 15
	Page 25 of 77

- W_v = the dispersion parameter for estimating the dose to an individual at the controlling location for long-term Reactor Building vent releases (greater than 500 hr/yr), sec/m^3 or m^{-2} ;
- W_{p1} = the dispersion parameter for estimating the dose to an individual at the controlling location for short-term Water Storage Pond releases (equal to or less than 500 hr/yr), sec/m^3 or m^{-2} ;
- W_{p2A} = the dispersion parameter for estimating the dose to an individual at the controlling location for short-term Water Storage Pond #2A releases (equal to or less than 500 hr/yr), sec/m^3 or m^{-2} ;
- W_{p2B} = the dispersion parameter for estimating the dose to an individual at the controlling location for short-term Water Storage Pond #2B releases (equal to or less than 500 hr/yr), sec/m^3 or m^{-2} ;
- W_{p2C} = the dispersion parameter for estimating the dose to an individual at the controlling location for short-term Water Storage Pond #2C releases (equal to or less than 500 hr/yr), sec/m^3 or m^{-2} ;
- W_s = the dispersion parameter for estimating the dose to an individual at the controlling location for short-term offgas stack releases (equal to or less than 500 hr/yr), sec/m^3 or m^{-2} ;
- W_v = the dispersion parameter for estimating the dose to an individual at the controlling location for short-term Reactor Building vent releases (equal to or less than 500 hr/yr), sec/m^3 or m^{-2} ;
- 3.17×10^{-8} = the inverse of the number of seconds in a year.
- R_{iapj} = the dose factor for each identified radionuclide i , pathway p , age group a , and organ j , $\text{m}^2 \text{ mrem}/\text{yr}$ per $\mu\text{Ci}/\text{sec}$ or mrem/yr per $\mu\text{Ci}/\text{m}^3$.

The above equation is applied to each combination of age group and organ. Values of R_{iapj} have been calculated using the methodology given in NUREG-0133 and are given in Tables 6

MONTICELLO NUCLEAR GENERATING PLANT	ODCM-05.01
Gaseous Effluent Calculations	Revision 15
	Page 26 of 77

through 24. The equation is applied to a controlling location which will be one of the following:

- A. residence,
- B. vegetable garden,
- C. milk animal.

The selection of the actual receptor is discussed in section 2.3.5. The W values are in terms of γ/Q (sec/m³) for the inhalation pathways and for tritium and in terms of D/Q (m⁻²) for all other pathways.

Section 2.7.2 contains the methodology for calculating R_{iapj} values. This method will be used to compute dose factors for nuclides not tabulated in Tables 6 through 24 if they are encountered.

2.3.3 Cumulation of Doses

Doses calculated monthly are summed for comparison with quarterly and annual limits. The monthly results are added to the doses cumulated from the other months in the quarter of interest and in the year of interest and compared to the limits given in section 2.3.1 and 2.3.2. If these limits are exceeded, a Special Report will be submitted to the USNRC. If twice the limits are exceeded, a Special Report showing compliance with 40CFR190⁽⁸⁾ will be submitted.

MONTICELLO NUCLEAR GENERATING PLANT	ODCM-05.01
Gaseous Effluent Calculations	Revision 15
	Page 27 of 77

2.3.4 Projection of Doses

Doses due to gaseous effluents are projected at least every 31 days IAW Tech Spec 5.5.3.e.

Cumulative dose is determined with each weekly release permit generation. Dose projections based on the most recent weekly data are used to determine whether doses would exceed 0.2% of the annual 10CFR50 Appendix I limits if releases continued at the same rate. The use of weekly data is conservative in that it will provide an early warning that doses could approach the 0.2% limit and to enact corrective actions to reduce effluent dose.

$$A. \quad D_{\text{projected}} = \frac{D_{\text{previous}}}{\text{days}_{\text{previous}}} * 31 \text{ days}$$

where

$D_{\text{projected}}$ = Projected dose for the next 31 days.

D_{previous} = Calculated dose for previous release period.

$\text{days}_{\text{previous}}$ = Days in the previous release period (typically the previous 7 days).

31 days = Length of dose projection.

2.3.5 Critical Receptor Identification

The critical receptors for compliance with 10CFR50, Appendix I will be identified. For the noble gas specification, the critical location is based on the external dose pathway only. This location is the off-site location with the highest long-term Reactor Building vent χ/Q and is selected using the χ/Q values given in Appendix A, Table 4. The critical receptor location is used for showing compliance with Technical Specifications and remains the same unless meteorological data is re-evaluated or the site boundary changes.

The critical location for the radioiodine and particulate pathway is selected once per year. This selection follows the annual land use census performed within 5 miles of the MNGP. Each of the following locations is evaluated as a potential critical receptor before implementing the effluent technical specifications:

- A. Residences in each sector.
- B. Vegetable garden producing leafy green vegetables.
- C. All identified milk animal locations.

The critical receptor is selected based on this evaluation.

MONTICELLO NUCLEAR GENERATING PLANT	ODCM-05.01
Gaseous Effluent Calculations	Revision 15
	Page 28 of 77

Following the annual survey, doses are calculated using Equation 2.3.2.A.1 for all newly identified receptors and those receptors whose characteristics have changed significantly. The calculation includes appropriate information shown to exist at each location. The dispersion parameters given in this manual should be employed. The total releases reported for the previous calendar year should be used as the source term.

2.3.6 Water Storage Pond Releases.

Tritium containing water is evaporated from the ponds as a gaseous release. This release is via natural evaporation. All additions to the ponds are either verified free of gamma species by grab sample while the Water Storage Pond Transfer System operates in BATCH mode or by monitoring via the Water Storage Pond Transfer System Radioactivity Monitor if operating in CONTINUOUS Mode.

A. Quantification of Evaporative Losses

The first step of determining the amount of activity released from each pond is to develop an expression for the total volume evaporated from each pond (includes forced and natural evaporation.) The assumption is made that the only way the liquid leaves the respective pond is via evaporation. The inputs to each pond are the volume of water manually added from frac tanks or other sources and the volume added via precipitation. The following equation was developed to calculate the total volume evaporated, V_{evap}

$$V_{\text{evap}} = (V_i - V_F) + V_{\text{addition}} + V_{\text{rain}}$$

Where:

V_{evap} = total volume lost due to evaporation, gal;

V_i = initial volume of the respective pond, gal;

V_F = final volume of the respective pond, gal;

V_{addition} = volume of water added manually (i.e. Addition of Tank via Water Storage Pond Transfer System), gal;

V_{rain} = volume of water added via precipitation (rain or snow) to the respective pond, gal.

The concentration of the evaporating water will be in flux between the sample periods. This is due to adding to the ponds and constantly removing activity from the ponds via evaporation. A monthly Tritium grab sample for each water storage pond will conservatively represent the concentration during evaporative releases for that month. Barring a new release to the groundwater, the concentration of re-mediated water added to the pond will continually decrease, thus diluting the respective ponds over time. Precipitation will also dilute the ponds over the course of the month.

MONTICELLO NUCLEAR GENERATING PLANT	ODCM-05.01
Gaseous Effluent Calculations	Revision 15
	Page 29 of 77

This will account for all activity released from the system. The dose released from the pond is calculated via previously defined equations.

2.4 Gaseous Effluents – Compliance with 40CFR190

In order to demonstrate compliance with 40CFR190, total dose to the likely most exposed member of the public from all Uranium Fuel Cycle radiation sources are summed (including both effluents and direct radiation) as discussed in ODCM-06.01. The dose limits for 40CFR190 are 25 mrem total body, 75 mrem thyroid, and 25 mrem to any other organ.

$$2.4.1 \quad \text{Total Dose} = D_{\text{TLD}} + D_{\text{aj}} + D_{\text{NG}}$$

Where:

D_{TLD} = Facility Related Dose as determined from environmental TLD measurements (ΣF_{Q} or F_{A} from ODCM-06.01)

D_{aj} = Dose due to Radioiodines, particulates, tritium and ^{14}C for age group a, and organ j, from section 2.3.2

D_{NG} = Dose due to noble gases, either total body or skin and due to elevated or mixed-mode release. Total Body doses also apply to all non-skin organs.

For Elevated releases, at locations where $(\chi/\text{Q})_{\text{s}}$ has not reached peak concentration, doses due to elevated, finite-plume exposure from the Plant Stack and doses due to the semi-infinite cloud from the Reactor Building Vent are considered. Short-term variations of these releases are also included, as appropriate.

$$2.4.2 \quad D_{\text{t. body, elevated plume}} = 3.17 \cdot 10^{-8} \sum_i \left[V_i Q_{\text{is}} + K_i \left(\frac{\chi}{\text{Q}} \right)_v Q_{\text{iv}} \right]$$

$$2.4.3 \quad D_{\text{skin, elevated plume}} = 3.17 \cdot 10^{-8} \sum_i \left\{ \left[L_i \left(\frac{\chi}{\text{Q}} \right)_s + 1.1 B_i \right] Q_{\text{is}} + [L_i + 1.1 M_i] \left(\frac{\chi}{\text{Q}} \right)_v Q_{\text{iv}} \right\}$$

For releases where the elevated plume has reached maximum $(\chi/\text{Q})_{\text{s}}$, semi-infinite cloud models are used for both Plant Stack and Reactor Building Vent releases. Short term variations of these releases are also included, as appropriate.

$$2.4.4 \quad D_{\text{t. body, imersion}} = 3.17 \cdot 10^{-8} \sum_i K_i \left[\left(\frac{\chi}{\text{Q}} \right)_s Q_{\text{is}} + \left(\frac{\chi}{\text{Q}} \right)_v Q_{\text{iv}} \right]$$

$$2.4.5 \quad D_{\text{skin, imersion}} = 3.17 \cdot 10^{-8} \sum_i \left\{ [L_i + 1.1 M_i]^* \left[\left(\frac{\chi}{\text{Q}} \right)_s Q_{\text{is}} + \left(\frac{\chi}{\text{Q}} \right)_v Q_{\text{iv}} \right] \right\}$$

All variables in these equations have been previously defined.

MONTICELLO NUCLEAR GENERATING PLANT	ODCM-05.01
Gaseous Effluent Calculations	Revision 15
	Page 30 of 77

2.5 Determination of Onsite Dose

Onsite dose to Members of the Public due to effluents is required to be reported in the ARERR per ODCM-08.01 STEP 2.1.2.; these non-occupationally exposed workers may be onsite for various reasons. Groups of concern include cleaning contractors at the Receiving Warehouse and Site Administrative Building, and Xcel Energy Company Transmission and Distribution (T&D) crews working in the subyard. These workers are considered not to be occupationally exposed because the work activities are only remotely related to plant-operational activities.

Onsite dose calculations are performed by determining the effluent dose due to noble gases, radioiodines, particulates, and tritium and scaling the annual dose based on occupancy factors. Exposure pathways considered are immersion/elevated plume for noble gases, and inhalation and ground plane pathways for iodines, particulates and tritium. Use of a very conservative assumption of 40 hours/week spent inside the site boundary by these groups conservatively represents the most exposed individual. Other occupancy factors may be used with a documented basis.

2.6 Offgas Release Rate and Gas Holdup Tank Activity

The following calculations are used to predict the offgas composition and activity at various stages of waste gas treatment and at the time of release. The data inputs consist of the release rate (in $\mu\text{Ci}/\text{sec}$ measured at the SJAE) of six readily measurable fission product noble gases: Xe-133, Xe-135, Kr-85M, Kr-88, Kr-87, and Xe-138. There are nine other noble gases of interest from a radioactive effluent point of view. They are: Kr-90, Xe-139, Kr-89, Xe-137, Xe-135m, Kr-83m, Xe-133m, Xe-131m, and Kr-85. Many of these nine gases are not directly measurable in the presence of the others. By establishing the offgas release mode from the six measured release rates, the release rates of the other nine gases known to be present can be calculated.

MONTICELLO NUCLEAR GENERATING PLANT	ODCM-05.01
Gaseous Effluent Calculations	Revision 15
	Page 31 of 77

The first step performed is to correct the release rates of the six measured noble gases for decay during their transit from the reactor vessel to the SJAE:

$$2.6.1 \quad A_i(0) = A_i(t_{dly})e^{\lambda_i t_{dly}}$$

where

$A_i(t)$ = release rate of noble gas i at the time t after leaving reactor, $\mu\text{Ci}/\text{sec}$;

t_{dly} = transit time from reactor to SJAE, sec;

λ_i = decay constant of noble gas i , sec^{-1} .

A least square fitting routine is used to determine the values of B_1 , B_2 , and B_3 giving the best fit to $A_1(0)$ through $A_6(0)$ in the equation:

$$2.6.2 \quad \log \left[\frac{A_i}{y_i \lambda_i} \right] = \log \left[B_1 + \frac{B_2}{\sqrt{\lambda_i}} + \frac{B_3}{\lambda_i} \right]$$

where

y_i = fraction of all fissions yielding noble gas i .

This equation consists of three terms; a recoil release mode term, a diffusion release mode term, and an equilibrium release mode term. This is the standard General Electric offgas distribution model.

The values of B_1 , B_2 , and B_3 , are used to characterize the offgas release mechanism in terms of percent recoil, percent diffusion, and percent equilibrium type release. This characterization is useful in fuel performance evaluation. The equation for these three fractions are:

$$2.6.3 \quad \% \text{ Recoil} = 100 \times \frac{\sum_{i=1,6} B_1 y_i \lambda_i}{\sum_{i=1,6} (B_1 y_i \lambda_i + B_2 y_i \sqrt{\lambda_i} + B_3 y_i)}$$

$$2.6.4 \quad \% \text{ Diffusion} = 100 \times \frac{\sum_{i=1,6} B_2 y_i \sqrt{\lambda_i}}{\sum_{i=1,6} (B_1 y_i \lambda_i + B_2 y_i \sqrt{\lambda_i} + B_3 y_i)}$$

$$2.6.5 \quad \% \text{ Equilibrium} = 100 \times \frac{\sum_{i=1,6} B_3 y_i}{\sum_{i=1,6} (B_1 y_i \lambda_i + B_2 y_i \sqrt{\lambda_i} + B_3 y_i)}$$

MONTICELLO NUCLEAR GENERATING PLANT	ODCM-05.01
Gaseous Effluent Calculations	Revision 15
	Page 32 of 77

The release rate from the reactor vessel for the nine noble gases not measured is then:

$$2.6.6 \quad A_i(0) = B_1 y_i \lambda_i + B_2 y_i \sqrt{\lambda_i} + B_3 y_i$$

where

y_i = Fraction of all fissions yielding noble gas i (i.e. the cumulative fission yield for nuclide i , converted to unitless ratio; see Table 25).

At any time, t , after leaving the reactor vessel the release rate is:

$$2.6.7 \quad A_i(t) = A_i(0)e^{-\lambda_i t}, \text{ for } i = 3 \text{ through } 14$$

and

$$2.6.8 \quad A_i(t) = A_i(0)e^{-\lambda_i t} + \frac{\alpha_i \lambda_j A_j(0)}{\lambda_i - \lambda_j} (e^{-\lambda_j t} - e^{-\lambda_i t}), \text{ for } i = 1, 2, \text{ and } 15$$

where

α_i = fraction of disintegrations of isotope j producing isotope i .

Equation (2.6.8) contains an additional factor to account for the decay of Xe-131m to Xe-133, Xe-135m to Xe-135, and Kr-85m to Kr-85. This factor is normally small.

As shown in Table 25, the plant stack noble gas release consists of three components:

- A. main condenser non-condensibles;
- B. gland exhaust; and
- C. stack dilution air drawn from Reactor and Turbine Buildings.

MONTICELLO NUCLEAR GENERATING PLANT	ODCM-05.01
Gaseous Effluent Calculations	Revision 15
	Page 33 of 77

Source C is considered to be negligible compared to sources A and B. The composition of the gland exhaust release is assumed to be identical to the offgas mixture at the SJAE. Therefore, the stack release rate of isotope i is:

$$2.6.9 \quad R_i(t) = A_i(t) + F_{loc}A_i(t_{dly})$$

where

F_{loc} = fraction of main steam flow diverted to gland seal steam supply and the total noble gas release rate at any time is:

$$2.6.10 \quad R_{tot}(t) = \sum_{i=1,15} [A_i(t) + F_{loc}A_i(t_{dly})]$$

The operations below are used to calculate compressed offgas storage tank contents in terms of dose equivalent Xe-133. Control 2.4.1.B in ODCM-03.01 limits this quantity to 22,000 Curies 12 hours after placing a tank in storage (when the discharge valve interlock permits the tank to be released).

Prior to reaching the storage tanks (Figure 1), the offgas stream is delayed several hours flowing from the recombiners to the compressors via the 42-inch holdup pipe. Offgas reaching the tanks is therefore delayed by:

$$2.6.11 \quad t_{ddly} = t_{dly} + \frac{P_{42}V_{42}}{P_a L}$$

where

V_{42} = 42-inch pipe volume;

P_{42} = 42-inch pipe pressure;

L = total air inleakage, SCFM, (Bleed air and condenser inleakage);

P_a = atmospheric pressure.

MONTICELLO NUCLEAR GENERATING PLANT	ODCM-05.01
Gaseous Effluent Calculations	Revision 15
	Page 34 of 77

While a tank is being filled, offgas enters the tank at rate L. The activity of each isotope in the tank, C_i , is a function of time from the start of filling, t_f , is computed as follows:

$$2.6.12 \quad C_i(t_f) = \frac{A_i(t_{\text{ddly}})}{\lambda_i} (1 - e^{-\lambda_i t_f}) \quad \text{for } i = 3 \text{ to } 14$$

and

$$2.6.13 \quad C_i(t_f) = \frac{A_i(t_{\text{ddly}})}{\lambda_i} (1 - e^{-\lambda_i t_f}) + \frac{\alpha_i \lambda_i A_j(t_{\text{ddly}})}{\lambda_j} \left[\frac{e^{-\lambda_i t_f} - e^{-\lambda_j t_f}}{\lambda_i - \lambda_j} + \frac{1 - e^{-\lambda_i t_f}}{\lambda_i} \right]$$

for $i=1, 2, \text{ and } 15$

Equation 2.6.13 contains an additional factor to account for the decay of Xe-133m to Xe-133, Xe-135m to Xe-135, and Kr-85m to Kr-85. This factor is normally small.

Pressure builds up in the tank at the rate:

$$2.6.14 \quad p(t_f) = \frac{t_f L P_a}{V_{\text{tk}}}$$

where

V_{tk} = volume of storage tank.

MONTICELLO NUCLEAR GENERATING PLANT	ODCM-05.01
Gaseous Effluent Calculations	Revision 15
	Page 35 of 77

When the pressure in the tank reaches the design value, P_{max} , at t_{fill} , it is assumed that the tank is full. Total tank activity, C , and total tank Xe-133 dose equivalent activity, D , is computed at t_{rel} when the interlock on the tank discharge valve permits the tank to be released after an additional delay of t_{intk} :

$$2.6.15 \quad t_{fill} = \frac{P_{max} V_{tk}}{P_a L}$$

$$2.6.16 \quad t_{rel} = t_{fill} + t_{intk}$$

$$2.6.17 \quad C_i(t_{rel}) = C_i(t_{fill}) e^{-\lambda_i t_{intk}}, \text{ for } i = 3 \text{ through } 14$$

and

$$2.6.18 \quad C_i(t_{rel}) = C_i(t_{fill}) e^{-\lambda_i t_{intk}} + \frac{\alpha_i \lambda_j C_j(t_{fill})}{\lambda_i - \lambda_j} (e^{-\lambda_j t_{intk}} - e^{-\lambda_i t_{intk}}) \text{ for } i=1,2, \text{ and } 15$$

$$2.6.19 \quad C(t_{rel}) = \sum_{i=1,15} C_i(t_{rel})$$

$$2.6.20 \quad D(t_{rel}) = \frac{\sum_{i=1,15} C_i(t_{rel}) K_i}{K_{Xe-133}}$$

where

K_{Xe-133} = value of K_i for Xe-133 ($i = 1$) from Table 4.

The minimum offgas holdup time is:

$$2.6.21 \quad t_{holdup} = t_{ddly} + t_{rel}$$

When the system is operating normally, however, with all five holdup tanks in service, the holdup time is given by:

$$2.6.22 \quad t_{holdup} = t_{ddly} + 4 t_{fill}$$

MONTICELLO NUCLEAR GENERATING PLANT	ODCM-05.01
Gaseous Effluent Calculations	Revision 15
	Page 36 of 77

2.7 Dose Parameters for Radioiodines, Particulates and Tritium

This section contains the methodology which was used to calculate the dose parameters for radioiodines, particulates, and tritium to show compliance with 10CFR20 and Appendix I of 10CFR50 for gaseous effluents. These dose parameters, P_i and R_i were calculated using the methodology outlines in NUREG-0133 along with Regulatory Guide 1.109 Revision 1. The following sections provide the specific methodology which was utilized in calculating the P_i and R_i values for the various exposure pathways.

2.7.1 Calculation of P_i

The parameter, P_i , contained in the radioiodine and particulates portion of Section 2.2, includes pathway transport parameters of the i^{th} radionuclide, the receptor's usage of the pathway media and the dosimetry of the exposure. Pathway usage rates and the internal dosimetry are functions of the receptor's age; however, the child age group will always receive the maximum dose under the exposure conditions assumed.

A. Inhalation Pathway

$$1. \quad P_{i \text{ (inhalation)}} = K' (BR) DFA_i$$

where

$P_{i \text{ (inhalation)}}$ = dose parameter for radionuclide i for the inhalation pathway, mrem/yr per $\mu\text{Ci}/\text{m}^3$;

K' = a constant of unit conversion,
= $10^6 \text{ pCi}/\mu\text{Ci}$;

BR = the breathing rate of the child age group,
 m^3/yr

DFA_i = the maximum organ inhalation dose factor for the child age group for radionuclide i ,
 mrem/pCi .

The age group considered is the child group. The child's breathing rate is taken as $3700 \text{ m}^3/\text{yr}$ from Table E-5 of Regulatory Guide 1.109 Revision 1. The inhalation dose factors for the child, DFA_i , are presented in Table E-9 of Regulatory Guide 1.109 in units of mrem/pCi . The total body is considered as an organ in the selection of DFA_i .

The incorporation of breathing rate of the child and the unit conversion factor results in the following:

$$2. \quad P_{i \text{ (inhalation)}} = 3.7E9 \times DFA_i$$

2.7.2 Calculation of R_i

The radioiodine and particulate Control 2.3.1.A. is applicable to the location in the unrestricted area where the combination of existing pathways and receptor age groups indicates the maximum potential exposure occurs. The inhalation and ground plane exposure pathways **SHALL** be considered to exist at all locations. The grass-goat-milk, the grass-cow-milk, grass-cow-meat, and vegetation pathways are considered based on their existence at the various locations. R_i values have been calculated for the adult, teen, child, and infant age groups for the ground plane, cow milk, goat milk, vegetable and beef ingestion pathways. The methodology which was utilized to calculate these values is presented below.

A. Inhalation Pathway

1. $R_{i \text{ (inhalation)}} = K'(BR)_a (DFA_i)_a$

where

$R_{i \text{ (inhalation)}}$ = dose factor for each identified radionuclide i of the organ of interest, mrem/yr per $\mu\text{Ci}/\text{m}^3$;

K' = a constant of unit conversion,
= $10^6 \text{ pCi}/\mu\text{Ci}$;

$(BR)_a$ = breathing rate of the receptor of age group a, m^3/yr ;

$(DFA_i)_a$ = organ inhalation dose factor for radionuclide i for the receptor of age group a, mrem/pCi.

The breathing rates $(BR)_a$ for the various age groups are tabulated below, as given in Table E-5 of the Regulatory Guide 1.109 Revision 1.

<u>Age Group (a)</u>	<u>Breathing Rate (m^3/yr)</u>
Infant	1400
Child	3700
Teen	8000
Adult	8000

Inhalation dose factors $(DFA_i)_a$ for the various age groups are given in Tables E-7 through E-10 of Regulatory Guide 1.109 Revision 1.

MONTICELLO NUCLEAR GENERATING PLANT	ODCM-05.01
Gaseous Effluent Calculations	Revision 15
	Page 38 of 77

B. Ground Plane Pathway

$$1. \quad R_{i(\text{ground plane})} = \frac{K'K''(\text{SF})\text{DFG}_i(1-e^{-\lambda_i t_b})}{\lambda_i}$$

where

$R_{i(\text{ground plane})}$ = dose factor for the ground plane pathway for each identified radionuclide i for the organ of interest; mrem/yr per $\mu\text{Ci}/\text{sec}$ per m^{-2} ;

K' = a constant of unit conversion,
= 10^6 pCi/ μCi ;

K'' = a constant of unit conversion,
= 8760 hr/yr;

λ_i = the radiological decay constant for radionuclide i , sec^{-1} ;

t_b = the exposure time, sec,
= 4.73×10^8 sec (15 years);

DFG_i = the ground plane dose conversion factor for radionuclide i , mrem/hr per pCi/ m^2

SF = the shielding factor (dimensionless);

A shielding factor of 0.7 is suggested in Table E-15 of Regulatory Guide 1.109 Revision 1. A tabulation of DFG_i values is presented in Table E-6 of Regulatory Guide 1.109 Revision 1.

C. Grass-Cow or Goat-Milk Pathway

$$1. \quad R_{i(\text{milk})} = K' Q_F U_{ap} F_m (DFL_i)_a \frac{r}{(\lambda_i + \lambda_w)} \left[\frac{f_p f_s}{Y_p} + \frac{(1 - f_p f_s) e^{-\lambda_i t_f}}{Y_s} \right] e^{-\lambda_i t_f}$$

where

$R_{i(\text{milk})}$ = dose factor for the cow milk or goat milk pathway, for each identified radionuclide i for the organ of interest, mrem/yr per $\mu\text{Ci}/\text{sec}$ per m^{-2} ;

K' = a constant of unit conversion,
= 10^6 pCi/ μCi ;

Q_F = the cow or goat feed consumption rate, kg/day (wet weight);

U_{ap} = the receptor's milk consumption rate for age group a , liters/yr;

Y_p = the agricultural productivity by unit area of pasture feed grass, kg/m^2

Y_s = the agricultural productivity by unit area of stored feed, kg/m^2

F_m = the stable element transfer coefficients, pCi/liter per pCi/day;

r = fraction of deposited activity retained on cow feed grass;

$(DFL_i)_a$ = the organ ingestion dose factor for radionuclide i for the receptor in age group a , mrem/pCi;

λ_i = the radiological decay constant for radionuclide i , sec^{-1} ;

λ_w = the decay constant for removal of activity on leaf and plant surfaces by weathering, sec^{-1} ,
= $5.73 \times 10^{-7} \text{ sec}^{-1}$ (corresponding to a 14 day half-life);

t_f = the transport time from feed to cow or goat, to milk, to receptor, sec;

MONTICELLO NUCLEAR GENERATING PLANT	ODCM-05.01
Gaseous Effluent Calculations	Revision 15
	Page 40 of 77

- t_h = the transport time from harvest to ingestion of forage by milk animal, sec;
- f_p = fraction of the year that the cow or goat is on pasture;
- f_s = fraction of the cow feed that is pasture grass while the cow is on pasture;

Milk cattle and goats are considered to be fed from two potential sources, pasture grass and stored feeds. Following the development in Regulatory Guide 1.109 Revision 1, the value of f_s is considered unity in lieu of site-specific information. The value of f_p is 0.500 based upon a 6 month grazing period.

Appendix C, Table 1 contains the appropriate parameter values and their source in Regulatory Guide 1.109 Revision 1.

The concentration of tritium in milk is based on the airborne concentration rather than the deposition. Therefore, the R_i is based on χ/Q :

$$2. \quad R_{H-3 \text{ (milk)}} = K'K''F_m Q_F U_{ap} (DFL_i)_a 0.75(0.5/H)$$

where

- $R_{H-3 \text{ (milk)}}$ = dose factor for the cow or goat milk pathway for tritium for the organ of interest, mrem/yr per $\mu\text{Ci}/\text{m}^3$;
- K'' = a constant of conversion,
= $10^3 \text{ gm}/\text{kg}$;
- H = absolute humidity of the atmosphere, gm/m^3 ;
- 0.75 = the fraction of total feed that is water;
- 0.5 = the ratio of the specific activity of the feed grass water to the atmospheric water;

and the other parameters and values are as given above. A value for H of $8 \text{ grams}/\text{m}^3$, was used in lieu of site-specific information.

MONTICELLO NUCLEAR GENERATING PLANT	ODCM-05.01
Gaseous Effluent Calculations	Revision 15
	Page 41 of 77

D. Grass-Cow-Meat Pathway

The integrated concentration in meat follows in a similar manner to the development for the milk pathway, therefore:

$$1. \quad R_{i(\text{meat})} = K'Q_F U_{ap} F_f (DFL_i)_a \frac{r}{(\lambda_i + \lambda_w)} \left[\frac{f_p f_s}{Y_p} + \frac{(1 - f_p f_s) e^{-\lambda_i t_h}}{Y_s} \right] e^{-\lambda_i t_s}$$

where

$R_{i(\text{meat})}$ = dose factor for the meat ingestion pathway for radionuclide i for any organ of interest, mRem/yr per $\mu\text{Ci}/\text{sec}$ per m^{-2} ;

F_f = the stable element transfer coefficient, pCi/kg per pCi/day;

U_{ap} = the receptor's meat consumption rate for age group a , kg/yr;

t_s = the transport time from slaughter to meat consumption, sec;

t_h = the transport time from harvest to ingestion of forage by meat animal, sec.

All other terms remain the same as defined in Equation 2.7.2.C.1. Appendix C, Table 2 contains the values which were used in calculating R_i for the meat pathway.

The concentration of tritium in meat is based on its airborne concentration rather than the deposition. Therefore, the R_i is based on χ/Q .

$$2. \quad R_{\text{H-3}(\text{meat})} = K'K'' F_f Q_F U_{ap} (DFL_i)_a 0.75(0.5/H)$$

where

$R_{\text{H-3}(\text{meat})}$ = dose factor for the meat ingestion pathway for tritium for any organ of interest, mrem/yr per $\mu\text{Ci}/\text{m}^3$,

All other terms are defined in Equation 2.7.2.C.2 and 2.7.2.D.1, above.

MONTICELLO NUCLEAR GENERATING PLANT	ODCM-05.01
Gaseous Effluent Calculations	Revision 15
	Page 42 of 77

E. Vegetation Pathway

The integrated concentration in vegetation consumed by man follows the expression developed in the derivation of the milk factor. Man is considered to consume two types of vegetation (fresh and stored) that differ only in the time period between harvest and consumption, therefore:

$$1. \quad R_{i(\text{vegetation})} = K'(DFL_i)_a \frac{r}{Y_v(\lambda_i + \lambda_w)} [U_a^L f_L e^{-\lambda_i t_L} + U_a^S f_g e^{-\lambda_i t_h}]$$

where

$R_{i(\text{vegetation})}$ = dose factor for vegetable pathway for radionuclide i for the organ of interest, mrem/yr per $\mu\text{Ci}/\text{sec}$ per m^2 ;

U_a^L = the consumption rate of fresh leafy vegetation by the receptor in age group a , kg/yr;

U_a^S = the consumption rate of stored vegetation by the receptor in age group a , kg/yr;

f_L = the fraction of the annual intake of fresh leafy vegetation grown locally;

f_g = the fraction of the annual intake of stored vegetation grown locally;

t_L = the average time between harvest of leafy vegetation and its consumption, sec;

t_h = the average time between harvest of stored vegetation and its consumption, sec;

Y_v = the vegetation areal density, kg/m^2 ;

Appendix C, Table 3 presents the appropriate parameter values and their source in Regulatory Guide 1.109 Revision 1.

In lieu of site-specific data, default values for f_L and f_g , 1.0 and 0.76, respectively, were used in the calculation of R_i . These values were obtained from Table E-15 of Regulatory Guide 1.109 Revision 1.

MONTICELLO NUCLEAR GENERATING PLANT	ODCM-05.01
Gaseous Effluent Calculations	Revision 15
	Page 43 of 77

The concentration of tritium in vegetation is based on the airborne concentration rather than the deposition. Therefore, the R_i is based on χ/Q :

$$2. \quad R_{H-3 \text{ (vegetation)}} = K'K''[U_a^L f_L + U_a^S f_g](DFL_i)_a \cdot 0.75(0.5/H)$$

where

$R_{H-3 \text{ (vegetation)}}$ = dose factor for the vegetable pathway for tritium for any organ of interest, mrem/yr per $\mu\text{Ci}/\text{m}^3$,

All other terms remain the same as those in Equations 2.7.2.C.2 and 2.7.2.E.1.

2.7.3 Calculation of R_i for ^{14}C Using NUREG 0133 Methodology

Carbon-14 (^{14}C) is a pure beta emitter with no ground plane dose contribution. Inhalation dose for ^{14}C is insignificant due to the chemical form (CO_2) not being incorporated into the body through inhalation. Thus, only the ingestion pathways are a significant source of dose from ^{14}C .

^{14}C concentration in food products is based on specific activity and assumes that the ratio of ^{14}C to stable carbon reaches equilibrium in all food products. The incorporation of CO_2 into the human food chain occurs only through direct or indirect (milk or meat) vegetation ingestion. This process is complex and very dynamic therefore it is unlikely that true equilibrium is ever reached. The specific activity approach assumes constant environmental concentrations and is therefore admittedly very conservative. Nevertheless, it is the standard approach that is used for ^{14}C , as similar to the model for ^3H .

Plants uptake ^{14}C only during photosynthesis. Only ^{14}C released during the growing season contributes to ingestion dose. For MNGP, the growing season is defined as May 1 through September 30 based on historical trends in last freeze of Spring and first freeze of Fall (Skaggs and Baker, 1985).

NUREG 0133 makes use of site specific dose factors referred to as R_i . These R_i values are typically calculated and tabulated in the ODCM for each nuclide, age group, pathway and organ of interest. Use of the R_i values was intended to simplify the more complicated calculations of Reg Guide 1.109. NUREG 0133 implements the calculational methodology of Reg Guide 1.109 but in a more convenient mathematical format.

MONTICELLO NUCLEAR GENERATING PLANT	ODCM-05.01
Gaseous Effluent Calculations	Revision 15
	Page 44 of 77

NUREG 0133 does not contain guidance on how to calculate R_i values for ^{14}C . The following equations provide the appropriate means for calculating ^{14}C R_i values that can be used in the NUREG 0133 methodology.

A. Vegetation Dose Factor

$$1. \quad R_{\text{C-14 (vegetation)}} = K'K''(U_{\text{aL}}^{\text{L}} + U_{\text{aG}}^{\text{S}})(\text{DFL}_{\text{a}})_i \frac{\text{CF}_{\text{g}}}{0.19}$$

Where:

$R_{\text{C-14 (vegetation)}}$ = dose factor for vegetable pathway, for ^{14}C for the organ of interest, mrem/yr per uCi/sec per m^{-2}

0.19 = Atmospheric concentration of natural carbon in gm/m^3 based on EPA published value of 383 ppm.

CF_{g} = Natural carbon fraction for vegetation group **G** in Kg-Carbon per Kg-Vegetation. Reg Guide 1.109 uses a default value of 0.11 (see Reg Guide 1.109, App C, Section 3.a, page 26).

B. Milk Dose Factor

$$1. \quad R_{\text{C-14 (milk)}} = K'K''U_{\text{ap}}(\text{DFL}_{\text{a}})_i \frac{\text{CF}_{\text{g}}}{0.19}$$

Where:

$R_{\text{C-14 (milk)}}$ = dose factor for cow milk or goat milk pathway, for ^{14}C for the organ of interest, mrem/yr per uCi/sec per m^{-2}

U_{ap} = The receptor's milk consumption rate for age group a, kg/yr from Table 1 of Appendix C.

0.19 = Atmospheric concentration of natural carbon in gm/m^3 based on EPA published value of 383 ppm.

MONTICELLO NUCLEAR GENERATING PLANT	ODCM-05.01
Gaseous Effluent Calculations	Revision 15
	Page 45 of 77

C. Meat Dose Factor

$$1. \quad R_{C-14 \text{ (meat)}} = K'K''U_{ap}(DFL_a)_i \frac{CF_g}{0.19}$$

Where:

$R_{C-14 \text{ (meat)}}$ = dose factor for meat ingestion pathway, for ^{14}C for the organ of interest, mrem/yr per uCi/sec per m^{-2}

U_{ap} = The receptor's meat consumption rate for age group a, kg/yr from Table 2 of Appendix C.

2.8 References

1. Monticello Nuclear Generating Plant Technical Specifications, TS-B.2.4-Radioactive Effluents, Specification 2.4.3F Rev. 25.
2. USNRC, Title 10, Code of Federal Regulation, Part 50, "Domestic Licensing of Production and Utilization Facilities", Appendix I, "Numerical Guides for Design Objectives and Limiting Conditions for Operation to Meet the Criterion 'As Low as is Reasonably Achievable' for Radioactive Material in Light-Water-Cooled Nuclear Power Reactor Effluents".
3. NSP - Monticello Nuclear Generating Plant, Appendix I Analysis - Supplement No. 1 - Docket No. 50-263, Table 2.1-3.
4. Boegli, J.S., et. al. Eds, "Preparation of Radiological Effluent Technical Specifications for Nuclear Power Plants, NUREG-0133, 1978, NTIS, Springfield Va.
5. Sangendorf, J.F. and J. T. Goll, "XOQDOQ - Program for the Meteorological Evaluation of Routine Effluent Releases at Nuclear Power Stations", NUREG-0324, 1977, USNRC, Washington, D.C.
6. USNRC, Regulatory Guide 1.109, "Calculation of Annual Doses to Man from Routine Releases of Reactor Effluents for the Purpose of Evaluating Compliance with 10 CFR 50, Appendix I", Rev. 1, Oct. 1977, USNRC, Washington.
7. USNRC, Regulatory Guide 1.111, "Methods for Estimating Atmospheric Transport and Dispersion of Gaseous Effluents in Routine Releases from Light-Water-Cooled Reactors", July 1977. USNRC, Washington, D.C.
8. EPA, Title 40, Code of Federal Regulations, Part 190 "Environmental Radiation Protection Standards for Nuclear Power Operations".

MONTICELLO NUCLEAR GENERATING PLANT	ODCM-05.01
Gaseous Effluent Calculations	Revision 15
	Page 46 of 77

9. Skaggs, R.H. and Baker D.G., "Fluctuation in the Length of the Growing Season in Minnesota", from Climatic Change, 1985, 7, 403-414.
10. Fuel Reliability Monitoring and Failure Evaluation Handbook (2010): Revision 2. EPRI, Palo Alto, CA: 2010. 1019107
11. England, T.R. and Rider, B.F., "Evaluation and Compilation of Fission Product Yields", LA-UR-94-3106, ENDF-349, Los Alamos National Laboratory, 1993.

MONTICELLO NUCLEAR GENERATING PLANT	ODCM-05.01
Gaseous Effluent Calculations	Revision 15
	Page 47 of 77

Figure 1 Gaseous Radwaste

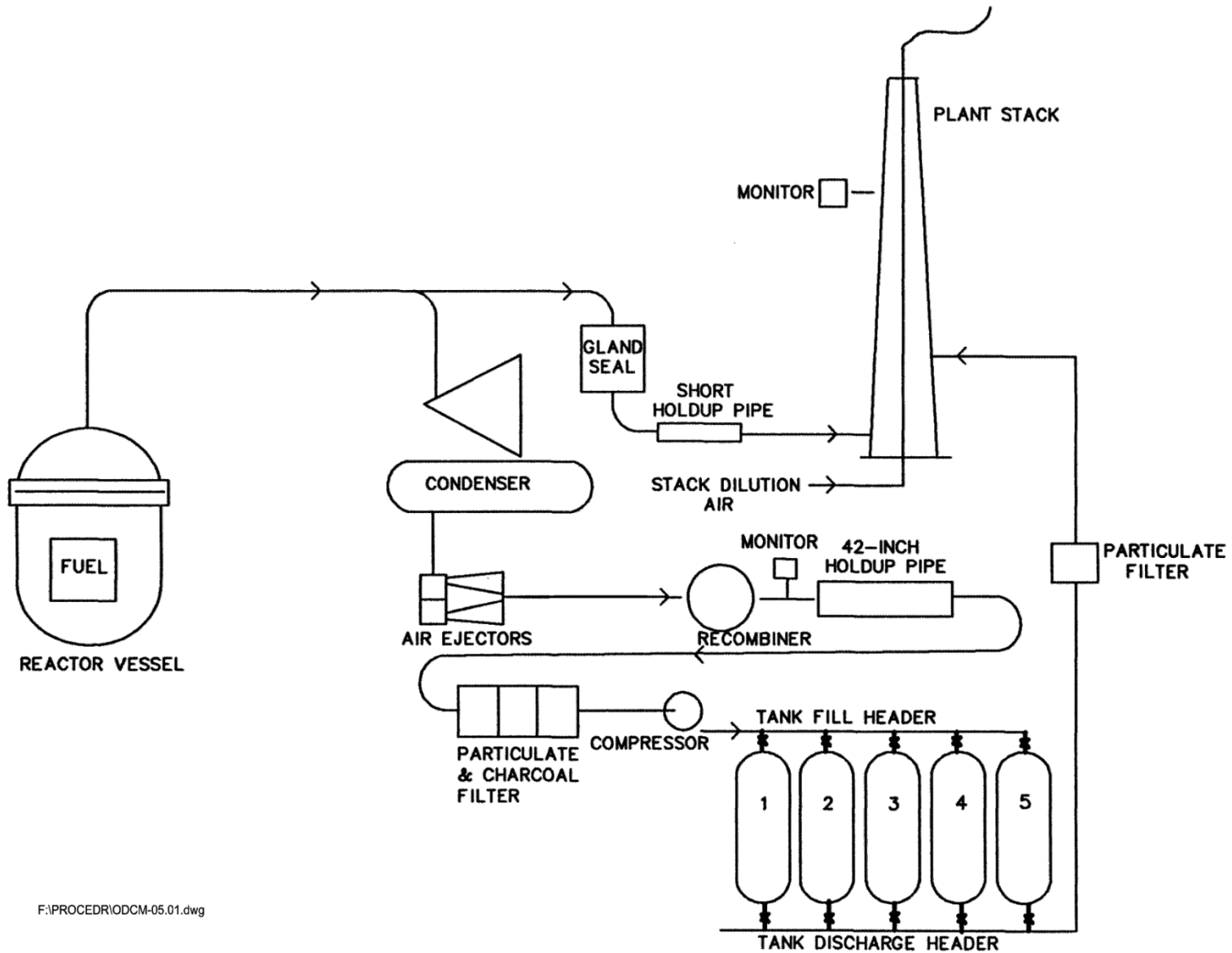
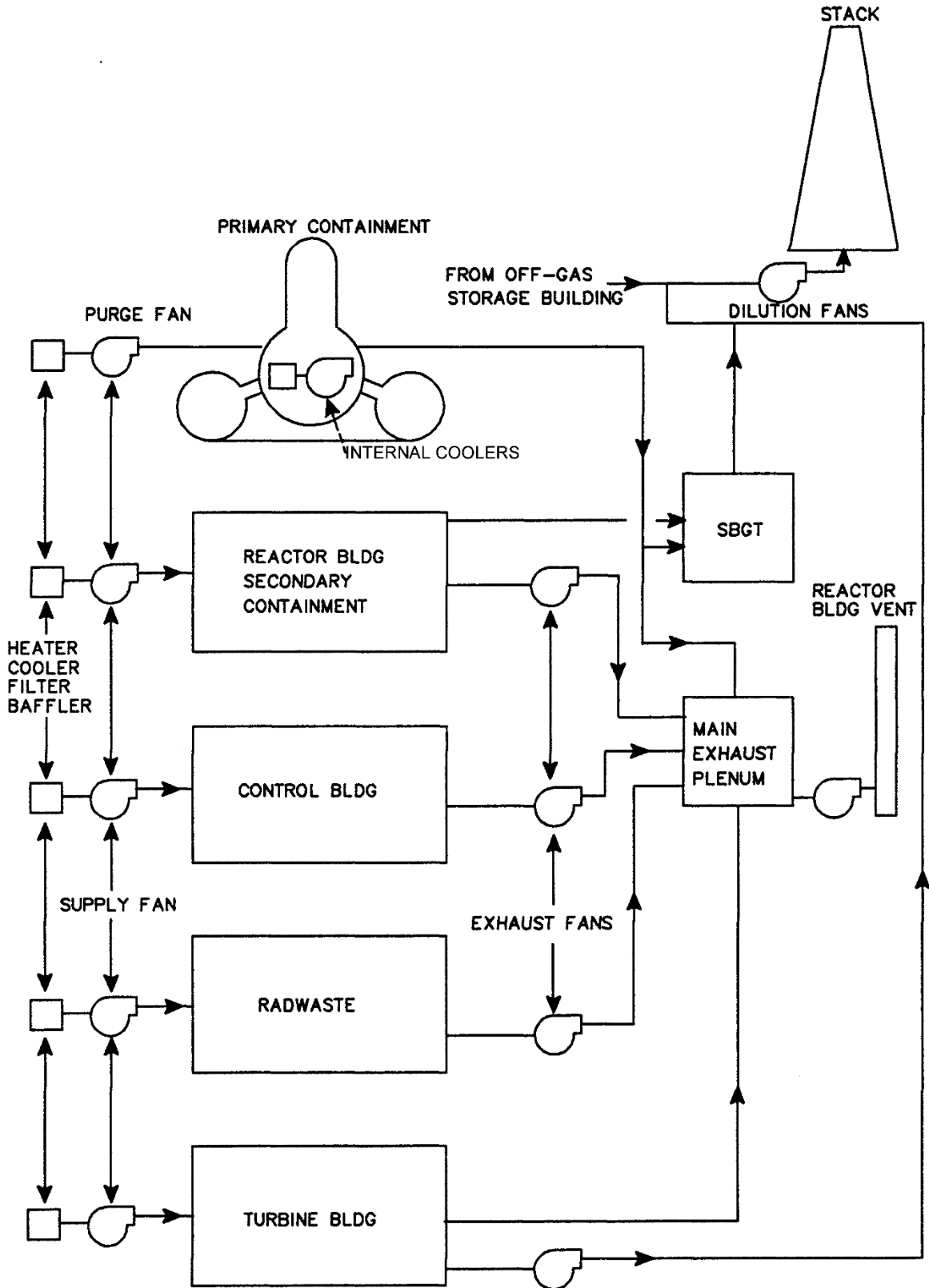


Figure 2 Ventilation System



MONTICELLO NUCLEAR GENERATING PLANT	ODCM-05.01
Gaseous Effluent Calculations	Revision 15
	Page 49 of 77

Table 1 Gaseous Source Terms⁽¹⁾ A_i, Ci/yr*

Radionuclide	Reactor Building Vent	Gland Seal	Mechanical Vacuum Pump	Gaseous Radwaste	Drywell Purging
Kr-83m**	--	2.3E 01	--	--	--
Kr-85m	7.1E 01	4.1E 01	--	--	3.0E 00
Kr-85	--	--	--	1.3E 02	--
Kr-87	1.33E 02	1.4E 02	--	--	3.0E 00
Kr-88	2.33E 02	1.4E 02	--	--	3.0E 00
Kr-89	--	6.0E 02	--	--	--
Kr-90	--	--	--	--	--
Xe-131m	--	--	--	4.5E 01	--
Xe-133m	--	2.0E 00	--	2.7E 01	--
Xe-133	3.26E 02	5.6E 01	2.3E 03	8.9E 03	6.6E 01
Xe-135m	6.96E 02	1.7E 01	--	--	4.6E 01
Xe-135	7.09E 02	1.5E 02	3.5E 02	--	3.4E 01
Xe-137	--	7.3E 02	--	--	--
Xe-138	1.41E 03	5.6E 02	--	--	7.0E 00
Xe-139	--	--	--	--	--
Ar-41	--	--	--	--	--
Total	3.58E 03	2.46E 03	2.65E 03	9.10E 03	1.62E 02

* These source terms were calculated in accordance with NUREG-0016 by using the USNRC "GALE" Code and approved for use at the Monticello Nuclear Plant.

** Kr-83m is not detectable by High Purity Ge detectors because it only emits low energy gamma rays (<40 keV). While Kr-83m is included in the GALE Code Source Term, it is not used in the setpoint calculation source term (Equations 2.1.1.A.1.b.1) and 2.1.1.B.1.b.1)). This results in a slightly lower (~1%) calculated setpoint. (AR01452892)

MONTICELLO NUCLEAR GENERATING PLANT	ODCM-05.01
Gaseous Effluent Calculations	Revision 15
	Page 50 of 77

Table 2 Air Ejector Monitor Trip Setting and Storage Tank Contents Storage Tank Activity in Dose Equivalent Curies Xe-133 12 Hours After Completion of Tank Fill Release Rate Set to 1.00 of Maximum Trip Setting

			Condenser Air Inleakage, CFM											
Recoil/Diff/Eq	Qtot(5 Min)	Qtot(30 Min)	3	6	9	12	15	18	21	24	27	30		
1.0 0.0 0.0	2.149E 06	2.600E 05	956.	1492.	1806.	1970.	2045.	2068.	2062.	2039.	2005.	1965.		
0.9 0.1 0.0	1.876E 06	2.600E 05	2008.	2459.	2743.	2880.	2923.	2912.	2872.	2815.	2750.	2680.		
0.9 0.0 0.1	2.042E 06	2.600E 05	2480.	2585.	2702.	2747.	2738.	2697.	2639.	2572.	2502.	2431.		
0.8 0.2 0.0	1.664E 06	2.600E 05	2823.	3206.	3469.	3584.	3602.	3565.	3499.	3416.	3326.	3234.		
0.8 0.1 0.1	1.772E 06	2.600E 05	3371.	3444.	3556.	3589.	3558.	3490.	3403.	3308.	3209.	3111.		
0.8 0.2 0.2	1.925E 06	2.600E 05	4145.	3779.	3680.	3595.	3495.	3384.	3269.	3155.	3045.	2939.		
0.7 0.3 0.0	1.495E 06	2.600E 05	3471.	3802.	4046.	4144.	4143.	4086.	3998.	3895.	3785.	3674.		
0.7 0.2 0.1	1.565E 06	2.600E 05	4053.	4102.	4211.	4233.	4186.	4098.	3989.	3871.	3751.	3633.		
0.7 0.1 0.2	1.661E 06	2.600E 05	4842.	4507.	4434.	4554.	4243.	4114.	3977.	3840.	3705.	3576.		
0.7 0.0 0.3	1.797E 06	2.600E 05	5971.	5088.	4752.	4526.	4325.	4137.	3960.	3794.	3640.	3496.		
0.6 0.4 0.0	1.385E 06	2.600E 05	4000.	4288.	4517.	4602.	4585.	4510.	4405.	4285.	4160.	4034.		
0.6 0.3 0.1	1.402E 06	2.600E 05	4593.	4621.	4728.	4743.	4682.	4578.	4452.	4317.	4180.	4045.		
0.6 0.2 0.2	1.460E 06	2.600E 05	5370.	5059.	5005.	4928.	4810.	4667.	4514.	4358.	4206.	4060.		
0.6 0.1 0.3	1.540E 06	2.600E 05	6435.	5659.	5383.	5182.	4985.	4789.	4598.	4415.	4242.	4080.		
0.6 0.0 0.4	1.655E 06	2.600E 05	7982.	6530.	5934.	5551.	5240.	4967.	4721.	4498.	4295.	4109.		
0.5 0.5 0.0	1.243E 06	2.600E 05	4440.	4691.	4909.	4982.	4951.	4862.	4743.	4609.	4471.	4332.		
0.5 0.4 0.1	1.270E 06	2.600E 05	5030.	5043.	5148.	5156.	5084.	4967.	4827.	4678.	4527.	4379.		
0.5 0.3 0.2	1.303E 06	2.600E 05	5784.	5492.	5453.	5379.	5254.	5101.	4934.	4765.	4599.	4439.		
0.5 0.2 0.3	1.347E 06	2.600E 05	6782.	6086.	5856.	5673.	5479.	5278.	5076.	4881.	4694.	4518.		
0.5 0.1 0.4	1.408E 06	2.600E 05	8165.	6909.	6415.	6082.	5791.	5523.	5273.	5041.	4826.	4627.		
0.5 0.0 0.5	1.498E 06	2.600E 05	10208.	8126.	7241.	6685.	6552.	5885.	5663.	5277.	5021.	4788.		
0.4 0.6 0.0	1.147E 06	2.600E 05	4811.	5032.	5240.	5302.	5261.	5160.	5028.	4883.	4733.	4584.		
0.4 0.5 0.1	1.160E 06	2.600E 05	5391.	5391.	5494.	5497.	5417.	5289.	5137.	4976.	4814.	4655.		
0.4 0.4 0.2	1.176E 06	2.600E 05	6118.	5840.	5813.	5741.	5612.	5450.	5273.	5092.	4915.	4744.		
0.4 0.3 0.3	1.197E 06	2.600E 05	7052.	6418.	6223.	6055.	5864.	5657.	5448.	5242.	5045.	4858.		
0.4 0.2 0.4	1.225E 06	2.600E 05	8300.	7190.	6771.	6475.	6199.	5934.	5681.	5442.	5218.	5010.		
0.4 0.1 0.5	1.265E 06	2.600E 05	10051.	8273.	7540.	7063.	6670.	6322.	6008.	5723.	5462.	5223.		
0.4 0.0 0.6	1.324E 06	2.600E 05	12686.	9902.	8697.	7948.	7378.	6907.	6501.	6145.	5828.	5544.		

MONTICELLO NUCLEAR GENERATING PLANT	ODCM-05.01
Gaseous Effluent Calculations	Revision 15
	Page 51 of 77

Table 2 Air Ejector Monitor Trip Setting and Storage Tank Contents Storage Tank Activity in Dose Equivalent Curies Xe-133
12 Hours After Completion of Tank Fill Release Rate Set to 1.00 of Maximum Trip Setting (cont'd)

			Condenser Air Inleakage, CFM												
Recoil/Diff/Eq	Qtot(5 Min)	Qtot(30 Min)	3	6	9	12	15	18	21	24	27	30			
0.3	0.7	0.0	1.064E 06	2.600E 05	5148.	5324.	5522.	5577.	5526.	5415.	5273.	5117.	4948.	4800.	
0.3	0.6	0.1	1.068E 06	2.600E 05	5695.	5684.	5786.	5784.	5697.	5559.	5398.	5227.	5055.	4887.	
0.3	0.5	0.2	1.072E 06	2.600E 05	6392.	6127.	6110.	6040.	5907.	5737.	5551.	5362.	5175.	4995.	
0.3	0.4	0.3	1.078E 06	2.600E 05	7268.	6684.	6517.	6361.	6171.	5961.	5744.	5531.	5325.	5129.	
0.3	0.3	0.4	1.085E 06	2.600E 05	8404.	7406.	7046.	6777.	6513.	6251.	5995.	5751.	5521.	5304.	
0.3	0.2	0.5	1.092E 06	2.600E 05	9937.	8380.	7758.	7338.	6975.	6642.	6333.	6047.	5784.	5540.	
0.3	0.1	0.6	1.108E 06	2.600E 05	12115.	9765.	8771.	8136.	7632.	7197.	6813.	6469.	6158.	5876.	
0.3	0.0	0.7	1.129E 06	2.600E 05	15459.	11891.	10326.	9361.	8639.	8051.	7550.	7115.	6732.	6391.	
0.2	0.8	0.0	9.929E 05	2.600E 05	5403.	5576.	5767.	5814.	5755.	5635.	5484.	5320.	5153.	4987.	
0.2	0.7	0.1	9.894E 05	2.600E 05	5954.	5934.	6034.	6029.	5935.	5790.	5620.	5441.	5261.	5085.	
0.2	0.6	0.2	9.052E 05	2.600E 05	6621.	6366.	6358.	6289.	6153.	5977.	5784.	5587.	5393.	5204.	
0.2	0.5	0.3	9.799E 05	2.600E 05	7444.	6901.	6757.	6610.	6422.	6209.	5987.	5768.	5555.	5352.	
0.2	0.4	0.4	9.733E 05	2.600E 05	8487.	7577.	7263.	7017.	6762.	6502.	6244.	5996.	5760.	5538.	
0.2	0.3	0.5	9.646E 05	2.600E 05	9849.	8462.	7924.	7548.	7207.	6885.	6508.	6295.	6029.	5782.	
0.2	0.2	0.6	9.528E 05	2.600E 05	11706.	9667.	8825.	8272.	7814.	7406.	7038.	6702.	6395.	6114.	
0.2	0.1	0.7	9.357E 05	2.600E 05	14384.	11405.	10124.	9316.	8689.	8159.	7698.	7289.	6923.	6593.	
0.2	0.0	0.8	9.090E 05	2.600E 05	18586.	14132.	12163.	10954.	10061.	9340.	8734.	8210.	7751.	7345.	
0.1	0.9	0.0	9.305E 05	2.600E 05	5643.	5796.	5981.	6022.	5955.	5827.	5669.	5497.	5322.	5150.	
0.1	0.8	0.1	9.217E 05	2.600E 05	6178.	6149.	6249.	6240.	6141.	5989.	5812.	5625.	5439.	5256.	
0.1	0.7	0.2	9.112E 05	2.600E 05	6816.	6570.	6568.	6501.	6362.	6181.	5982.	5778.	5577.	5383.	
0.1	0.6	0.3	8.985E 05	2.600E 05	7591.	7082.	6957.	6818.	6631.	6415.	6190.	5964.	5964.	5537.	
0.1	0.5	0.4	8.826E 05	2.600E 05	8554.	7717.	7440.	7212.	6995.	6706.	6447.	6195.	5955.	5728.	
0.1	0.4	0.5	8.624E 05	2.600E 05	9781.	8526.	8055.	7713.	7309.	7076.	6775.	6490.	6222.	5972.	
0.1	0.3	0.6	8.358E 05	2.600E 05	11397.	9593.	8865.	8374.	7951.	7564.	7207.	6877.	6573.	6293.	
0.1	0.2	0.7	7.992E 05	2.600E 05	13625.	11062.	9982.	9284.	8723.	8236.	7802.	7411.	7058.	6736.	
0.1	0.1	0.8	7.454E 05	2.600E 05	16890.	13216.	11619.	10619.	9856.	9222.	8675.	8194.	7768.	7385.	
0.1	0.0	0.9	6.591E 05	2.600E 05	22138.	16679.	14250.	12764.	11676.	10805.	10077.	9453.	8909.	8428.	

MONTICELLO NUCLEAR GENERATING PLANT	ODCM-05.01
Gaseous Effluent Calculations	Revision 15
	Page 52 of 77

Table 2 Air Ejector Monitor Trip Setting and Storage Tank Contents Storage Tank Activity in Dose Equivalent Curies Xe-133
12 Hours After Completion of Tank Fill Release Rate Set to 1.00 of Maximum Trip Setting (cont'd)

Recoil/Diff/Eq			Condenser Air Inleakage, CFM											
			Qtot(5 Min)	Qtot(30 Min)	3	6	9	12	15	18	21	24	27	30
0.0	1.0	0.0	8.755E 05	2.600E 05	5855.	5990.	6169.	6205.	6132.	5997.	5832.	5653.	5472.	5293.
0.0	0.9	0.1	8.628E 05	2.600E 05	6372.	6336.	6435.	6424.	6320.	6162.	5979.	5786.	5593.	5405.
0.0	0.8	0.2	8.477E 05	2.600E 05	6983.	6745.	6750.	6683.	6542.	6357.	6152.	5943.	5732.	5536.
0.0	0.7	0.3	8.296E 05	2.600E 05	7716.	7235.	7126.	6994.	6808.	6590.	6361.	6131.	5908.	5694.
0.0	0.6	0.4	8.075E 05	2.600E 05	8610.	7832.	7586.	7373.	7133.	6875.	6615.	6360.	6117.	5886.
0.0	0.5	0.5	7.799E 05	2.600E 05	9725.	8578.	8160.	7846.	7538.	7231.	6932.	6647.	6378.	6126.
0.0	0.4	0.6	7.446E 05	2.600E 05	11156.	9533.	8897.	8454.	8058.	7687.	7339.	7014.	6713.	6433.
0.0	0.3	0.7	6.976E 05	2.600E 05	13059.	10807.	9876.	9261.	8749.	8293.	7880.	7508.	7158.	6843.
0.0	0.2	0.8	6.320E 05	2.600E 05	15713.	12581.	11241.	10386.	9713.	9139.	8634.	8184.	7779.	7413.
0.0	0.1	0.9	5.342E 05	2.600E 05	19670.	15227.	13277.	12065.	11151.	10401.	9759.	9200.	8705.	8264.
0.0	0.0	1.0	3.727E 05	2.600E 05	26207.	19597.	16640.	14838.	13527.	12484.	11617.	10878.	10235.	9670.

MONTICELLO NUCLEAR GENERATING PLANT	ODCM-05.01
Gaseous Effluent Calculations	Revision 15
	Page 53 of 77

Table 3 Child Critical Organ Dose Parameters for Radionuclide i for the Inhalation Pathway

Nuclide	P_i (inhalation) mrem/yr per $\mu\text{Ci}/\text{m}^3$
H-3	1.12E 03
Cr-51	1.70E 04
Mn-54	1.58E 06
Fe-59	1.27E 06
Co-58	1.11E 06
Co-60	7.07E 06
Zn-65	9.95E 05
Rb-86	1.98E 05
Sr-89	2.16E 06
Sr-90	1.01E 08
Y-91	2.63E 06
Zr-95	2.23E 06
Nb-95	6.14E 05
Ru-103	6.62E 05
Ru-106	1.43E 07
Ag-110m	5.48E 06
Te-127m	1.48E 06
Te-129m	1.76E 06
Cs-134	1.01E 06
Cs-136	1.71E 05
Cs-137	9.07E 05
Ba-140	1.74E 06
Ce-141	5.44E 05
Ce-144	1.20E 07
I-131	1.62E 07
I-133	3.85E 06
I-135	7.92E 05

MONTICELLO NUCLEAR GENERATING PLANT	ODCM-05.01
Gaseous Effluent Calculations	Revision 15
	Page 54 of 77

Table 4 Dose Factors for Noble Gases and Daughters That May Be Detected in Gaseous Effluents

Radionuclide	Total Body Dose Factor K_i mrem/yr per $\mu\text{Ci}/\text{m}^3$	Skin Dose Factor L_i mrem/yr per $\mu\text{Ci}/\text{m}^3$	Gamma Air Dose Factor M_i mrad/yr per $\mu\text{Ci}/\text{m}^3$	Beta Air Dose Factor N_i mrad/yr per $\mu\text{Ci}/\text{m}^3$
Kr-83m	7.56E-02	--	1.93E+01	2.88E+02
Kr-85m	1.17E+03	1.46E+03	1.23E+03	1.97E+03
Kr-85	1.61E+01	1.34E+03	1.72E+01	1.95E+03
Kr-87	5.92E+03	9.73E+03	6.17E+03	1.03E+04
Kr-88	1.47E+04	2.37E+03	1.52E+04	2.93E+03
Kr-89	1.66E+04	1.01E+04	1.73E+04	1.06E+04
Kr-90	1.56E+04	7.29E+03	1.63E+04	7.83E+03
Xe-131m	9.15E+01	4.76E+02	1.56E+02	1.11E+03
Xe-133m	2.51E+02	9.94E+02	3.27E+02	1.48E+03
Xe-133	2.94E+02	3.06E+02	3.53E+02	1.05E+03
Xe-135m	3.12E+03	7.11E+02	3.36E+03	7.39E+02
Xe-135	1.81E+03	1.86E+03	1.92E+03	2.46E+03
Xe-137	1.42E+03	1.22E+04	1.51E+03	1.27E+04
Xe-138	8.83E+03	4.13E+03	9.21E+03	4.75E+03
Xe-139	5.02E+03	6.52E+04	5.28E+03	6.52E+04
Ar-41	8.84E+03	2.69E+03	9.30E+03	3.28E+03

MONTICELLO NUCLEAR GENERATING PLANT	ODCM-05.01
Gaseous Effluent Calculations	Revision 15
	Page 55 of 77

Table 5 Dose Parameters for Elevated Finite Plumes for the Critical Boundary Location 0.51 mi from the Stack in the SSE Sector

Noble Gas Radionuclide	Long Term Release*		Short Term Release**	
	Total Body V_i <u>mrem/yr</u> $\mu\text{Ci/sec}$	Gamma Air B_i <u>mrad/yr</u> $\mu\text{Ci/sec}$	Total Body v_i <u>mrem/yr</u> $\mu\text{Ci/sec}$	Gamma Air b_i <u>mrad/yr</u> $\mu\text{Ci/sec}$
Kr-83m	2.61E-09	3.77E-07	2.99E-09	4.32E-07
Kr-85m	1.39E-04	2.07E-04	1.59E-04	2.37E-04
Kr-85	2.10E-06	3.18E-06	2.40E-06	3.64E-06
Kr-87	6.33E-04	9.52E-04	7.25E-02	1.09E-03
Kr-88	1.66E-03	2.49E-03	1.90E-03	2.85E-03
Kr-89	1.12E-03	1.68E-03	1.28E-03	1.92E-03
Kr-90	1.61E-04	2.42E-04	1.85E-04	2.78E-04
Xe-131m	3.31E-05	5.21E-05	3.79E-05	5.97E-05
Xe-133m	2.51E-05	4.09E-05	2.87E-05	4.68E-05
Xe-133	2.61E-05	4.08E-05	2.99E-05	4.67E-05
Xe-135m	3.34E-04	5.06E-04	3.82E-04	5.79E-04
Xe-135	2.24E-04	3.37E-04	2.57E-04	3.89E-04
Xe-137	9.99E-05	1.51E-04	1.14E-04	1.73E-04
Xe-138	9.90E-04	1.49E-03	1.13E-03	1.70E-03
Xe-139	5.79E-05	8.69E-05	6.63E-05	9.95E-05
Ar-41	1.20E-03	1.80E-03	1.38E-03	2.07E-03

* Values are annual average

** Values are for 144 hours per year purge.

MONTICELLO NUCLEAR GENERATING PLANT	ODCM-05.01
Gaseous Effluent Calculations	Revision 15
	Page 56 of 77

Table 6 Ri Values for the Monticello Nuclear Generating Plant Ground Pathway

Nuclide	T. Body	GI Tract	Bone	Liver	Kidney	Thyroid	Lung	Skin
Cr-51	4.66E+06	4.66E+06	4.66E+06	4.66E+06	4.66E+06	4.66E+06	4.66E+06	5.51E+06
Mn-54	1.39E+09	1.39E+09	1.39E+09	1.39E+09	1.39E+09	1.39E+09	1.39E+09	1.63E+09
Fe-59	2.73E+08	2.73E+08	2.73E+08	2.73E+08	2.73E+08	2.73E+08	2.73E+08	3.21E+08
Co-58	3.79E+08	3.79E+08	3.79E+08	3.79E+08	3.79E+08	3.79E+08	3.79E+08	4.44E+08
Co-60	2.15E+10	2.15E+10	2.15E+10	2.15E+10	2.15E+10	2.15E+10	2.15E+10	2.53E+10
Zn-65	7.47E+08	7.47E+08	7.47E+08	7.47E+08	7.47E+08	7.47E+08	7.47E+08	8.59E+08
Sr-89	2.16E+04	2.16E+04	2.16E+04	2.16E+04	2.16E+04	2.16E+04	2.16E+04	2.51E+04
Zr-95	2.45E+08	2.45E+08	2.45E+08	2.45E+08	2.45E+08	2.45E+08	2.45E+08	2.84E+08
I-131	1.72E+07	1.72E+07	1.72E+07	1.72E+07	1.72E+07	1.72E+07	1.72E+07	2.09E+07
I-133	2.45E+06	2.45E+06	2.45E+06	2.45E+06	2.45E+06	2.45E+06	2.45E+06	2.98E+06
I-135	2.53E+06	2.53E+06	2.53E+06	2.53E+06	2.53E+06	2.53E+06	2.53E+06	2.95E+06
Cs-134	6.86E+09	6.86E+09	6.86E+09	6.86E+09	6.86E+09	6.86E+09	6.86E+09	8.00E+09
Cs-136	1.51E+08	1.51E+08	1.51E+08	1.51E+08	1.51E+08	1.51E+08	1.51E+08	1.71E+08
Cs-137	1.03E+10	1.03E+10	1.03E+10	1.03E+10	1.03E+10	1.03E+10	1.03E+10	1.20E+10
Ba-140	2.05E+07	2.05E+07	2.05E+07	2.05E+07	2.05E+07	2.05E+07	2.05E+07	2.35E+07
Ce-141	1.37E+07	1.37E+07	1.37E+07	1.37E+07	1.37E+07	1.37E+07	1.37E+07	1.54E+07
Ce-144	6.95E+07	6.95E+07	6.95E+07	6.95E+07	6.95E+07	6.95E+07	6.95E+07	8.04E+07
Nb-95	1.37E+08	1.37E+08	1.37E+08	1.37E+08	1.37E+08	1.37E+08	1.37E+08	1.61E+08
Ru-103	1.08E+08	1.08E+08	1.08E+08	1.08E+08	1.08E+08	1.08E+08	1.08E+08	1.26E+08

*Ri values are in units of units of m² mRem/yr per μCi/Sec for Ground Plane Pathway.

MONTICELLO NUCLEAR GENERATING PLANT	ODCM-05.01
Gaseous Effluent Calculations	Revision 15
	Page 57 of 77

Table 7 Ri Values for the Monticello Nuclear Generating Plant Vegetable Pathway Adult Age Group

Nuclide	T. Body	GI Tract	Bone	Liver	Kidney	Thyroid	Lung	Skin
H-3	2.26E+03	2.26E+03		2.26E+03	2.26E+03	2.26E+03	2.26E+03	
C-14	1.51E+05	1.51E+05	7.55E+05	1.51E+05	1.51E+05	1.51E+05	1.51E+05	
Cr-51	4.64E+04	1.17E+07			1.02E+04	2.77E+04	6.16E+04	
Mn-54	5.97E+07	9.58E+08		3.13E+08	9.31E+07			
Fe-59	1.14E+08	9.88E+08	1.26E+08	2.96E+08			8.28E+07	
Co-58	6.89E+07	6.23E+08		3.07E+07				
Co-60	3.69E+08	3.14E+09		1.67E+08				
Zn-65	4.56E+08	6.36E+08	3.17E+08	1.01E+09	6.75E+08			
Sr-89	2.86E+08	1.60E+09	9.96E+09					
Sr-90	1.48E+11	1.75E+10	6.05E+11					
Zr-95	2.55E+05	1.19E+09	1.17E+06	3.77E+05	5.91E+05			
I-131	6.62E+07	3.05E+07	8.07E+07	1.15E+08	1.98E+08	3.78E+10		
I-133	1.10E+06	3.25E+06	2.08E+06	3.61E+06	6.31E+06	5.31E+08		
I-135	3.72E+04	1.14E+05	3.85E+04	1.01E+05	1.62E+05	6.65E+06		
Cs-134	9.08E+09	1.94E+08	4.67E+09	1.11E+10	3.59E+09		1.19E+09	
Cs-136	1.21E+08	1.91E+07	4.26E+07	1.68E+08	9.37E+07		1.28E+07	
Cs-137	5.70E+09	1.68E+08	6.36E+09	8.70E+09	2.95E+09		9.81E+08	
Ba-140	8.41E+06	2.64E+08	1.28E+08	1.61E+05	5.48E+04		9.23E+04	
Ce-141	1.51E+04	5.09E+08	1.97E+05	1.33E+05	6.19E+04			
Ce-144	1.77E+06	1.11E+10	3.29E+07	1.38E+07	8.16E+06			
Nb-95	4.26E+04	4.80E+08	1.42E+05	7.92E+04	7.82E+04			
Ru-103	2.05E+06	5.57E+08	4.77E+06		1.82E+07			

*Ri values are in units of mRem/yr per $\mu\text{Ci}/\text{m}^3$ for H-3 and C-14, and units of m^2 mRem/yr per $\mu\text{Ci}/\text{Sec}$ for all others.

MONTICELLO NUCLEAR GENERATING PLANT	ODCM-05.01
Gaseous Effluent Calculations	Revision 15
	Page 58 of 77

Table 8 Ri Values for the Monticello Nuclear Generating Plant Vegetable Pathway Teen Age Group

Nuclide	T. Body	GI Tract	Bone	Liver	Kidney	Thyroid	Lung	Skin
H-3	2.59E+03	2.59E+03		2.59E+03	2.59E+03	2.59E+03	2.59E+03	
C-14	2.45E+05	2.45E+05	1.22E+06	2.45E+05	2.45E+05	2.45E+05	2.45E+05	
Cr-51	6.16E+04	1.04E+07			1.35E+04	3.42E+04	8.80E+04	
Mn-54	9.01E+07	9.32E+08		4.54E+08	1.36E+08			
Fe-59	1.62E+08	9.90E+08	1.79E+08	4.18E+08			1.32E+08	
Co-58	1.00E+08	6.01E+08		4.36E+07				
Co-60	5.60E+08	3.24E+09		2.49E+08				
Zn-65	6.86E+08	6.23E+08	4.24E+08	1.47E+09	9.42E+08			
Sr-89	4.33E+08	1.80E+09	1.51E+10					
Sr-90	1.85E+11	2.11E+10	7.51E+11					
Zr-95	3.73E+05	1.25E+09	1.72E+06	5.43E+05	7.98E+05			
I-131	5.78E+07	2.13E+07	7.68E+07	1.08E+08	1.85E+08	3.14E+10		
I-133	9.99E+05	2.48E+06	1.93E+06	3.27E+06	5.74E+06	4.57E+08		
I-135	3.32E+04	9.93E+04	3.48E+04	8.96E+04	1.42E+05	5.76E+06		
Cs-134	7.75E+09	2.08E+08	7.10E+09	1.67E+10	5.31E+09		2.03E+09	
Cs-136	1.15E+08	1.38E+07	4.37E+07	1.72E+08	9.36E+07		1.48E+07	
Cs-137	4.69E+09	1.92E+08	1.01E+10	1.35E+10	4.59E+09		1.78E+09	
Ba-140	8.89E+06	2.13E+08	1.38E+08	1.69E+05	5.73E+04		1.14E+05	
Ce-141	2.17E+04	5.40E+08	2.83E+05	1.89E+05	8.89E+04			
Ce-144	2.83E+06	1.33E+10	5.27E+07	2.18E+07	1.30E+07			
Nb-95	5.87E+04	4.56E+08	1.92E+05	1.07E+05	1.03E+05			
Ru-103	2.91E+06	5.69E+08	6.82E+06		2.40E+07			

*Ri values are in units of mRem/yr per $\mu\text{Ci}/\text{m}^3$ for H-3 and C-14, and units of m^2 mRem/yr per $\mu\text{Ci}/\text{Sec}$ for all others.

MONTICELLO NUCLEAR GENERATING PLANT	ODCM-05.01
Gaseous Effluent Calculations	Revision 15
	Page 59 of 77

Table 9 Ri Values for the Monticello Nuclear Generating Plant Vegetable Pathway Child Age Group

Nuclide	T. Body	GI Tract	Bone	Liver	Kidney	Thyroid	Lung	Skin
H-3	4.01E+03	4.01E+03		4.01E+03	4.01E+03	4.01E+03	4.01E+03	
C-14	5.90E+05	5.90E+05	2.95E+06	5.90E+05	5.90E+05	5.90E+05	5.90E+05	
Cr-51	1.17E+05	6.21E+06			1.78E+04	6.50E+04	1.19E+05	
Mn-54	1.77E+08	5.58E+08		6.65E+08	1.86E+08			
Fe-59	3.20E+08	6.69E+08	3.97E+08	6.43E+08			1.86E+08	
Co-58	1.97E+08	3.75E+08		6.44E+07				
Co-60	1.12E+09	2.10E+09		3.78E+08				
Zn-65	1.35E+09	3.80E+08	8.12E+08	2.16E+09	1.36E+09			
Sr-89	1.03E+09	1.39E+09	3.59E+10					
Sr-90	3.15E+11	1.67E+10	1.24E+12					
Zr-95	7.55E+05	8.84E+08	3.86E+06	8.48E+05	1.21E+06			
I-131	8.16E+07	1.28E+07	1.43E+08	1.44E+08	2.36E+08	4.75E+10		
I-133	1.65E+06	1.75E+06	3.52E+06	4.35E+06	7.25E+06	8.08E+08		
I-135	5.26E+04	8.48E+04	6.18E+04	1.11E+05	1.71E+05	9.86E+06		
Cs-134	5.55E+09	1.42E+08	1.60E+10	2.63E+10	8.15E+09		2.93E+09	
Cs-136	1.46E+08	7.95E+06	8.23E+07	2.26E+08	1.21E+08		1.80E+07	
Cs-137	3.38E+09	1.43E+08	2.39E+10	2.29E+10	7.46E+09		2.68E+09	
Ba-140	1.61E+07	1.40E+08	2.76E+08	2.42E+05	7.88E+04		1.44E+05	
Ce-141	4.85E+04	4.08E+08	6.55E+05	3.27E+05	1.43E+05			
Ce-144	6.78E+06	1.04E+10	1.27E+08	3.98E+07	2.21E+07			
Nb-95	1.14E+05	2.95E+08	4.10E+05	1.60E+05	1.50E+05			
Ru-103	5.89E+06	3.96E+08	1.53E+07		3.86E+07			

*Ri values are in units of mRem/yr per $\mu\text{Ci}/\text{m}^3$ for H-3 and C-14, and units of m^2 mRem/yr per $\mu\text{Ci}/\text{Sec}$ for all others.

MONTICELLO NUCLEAR GENERATING PLANT	ODCM-05.01
Gaseous Effluent Calculations	Revision 15
	Page 60 of 77

Table 10 Ri Values for the Monticello Nuclear Generating Plant Meat Pathway Adult Age Group

Nuclide	T. Body	GI Tract	Bone	Liver	Kidney	Thyroid	Lung	Skin
H-3	3.25E+02	3.25E+02		3.25E+02	3.25E+02	3.25E+02	3.25E+02	
C-14	3.62E+04	3.62E+04	1.81E+05	3.62E+04	3.62E+04	3.62E+04	3.62E+04	
Cr-51	3.66E+03	9.19E+05			8.05E+02	2.18E+03	4.85E+03	
Mn-54	1.13E+06	1.81E+07		5.91E+06	1.76E+06			
Fe-59	1.30E+08	1.13E+09	1.44E+08	3.39E+08			9.48E+07	
Co-58	2.34E+07	2.12E+08		1.04E+07				
Co-60	1.11E+08	9.46E+08		5.03E+07				
Zn-65	3.25E+08	4.53E+08	2.26E+08	7.20E+08	4.81E+08			
Sr-89	4.77E+06	2.67E+07	1.66E+08					
Sr-90	2.06E+09	2.42E+08	8.38E+09					
Zr-95	2.30E+05	1.08E+09	1.06E+06	3.40E+05	5.34E+05			
I-131	4.41E+06	2.03E+06	5.38E+06	7.70E+06	1.32E+07	2.52E+09		
I-133	9.86E-02	2.91E-01	1.86E-01	3.24E-01	5.65E-01	4.75E+01		
I-135	2.27E-17	6.94E-17	2.35E-17	6.14E-17	9.85E-17	4.05E-15		
Cs-134	8.46E+08	1.81E+07	4.35E+08	1.03E+09	3.35E+08		1.11E+08	
Cs-136	1.72E+07	2.71E+06	6.05E+06	2.39E+07	1.33E+07		1.82E+06	
Cs-137	5.27E+08	1.56E+07	5.88E+08	8.04E+08	2.73E+08		9.07E+07	
Ba-140	9.45E+05	2.97E+07	1.44E+07	1.81E+04	6.16E+03		1.04E+04	
Ce-141	5.67E+02	1.91E+07	7.39E+03	5.00E+03	2.32E+03			
Ce-144	5.01E+04	3.16E+08	9.34E+05	3.90E+05	2.32E+05			
Nb-95	3.64E+05	4.11E+09	1.22E+06	6.77E+05	6.69E+05			
Ru-103	2.43E+07	6.58E+09	5.64E+07		2.15E+08			

*Ri values are in units of mRem/yr per $\mu\text{Ci}/\text{m}^3$ for H-3 and C-14, and units of m^2 mRem/yr per $\mu\text{Ci}/\text{Sec}$ for all others.

MONTICELLO NUCLEAR GENERATING PLANT	ODCM-05.01
Gaseous Effluent Calculations	Revision 15
	Page 61 of 77

Table 11 Ri Values for the Monticello Nuclear Generating Plant Meat Pathway Teen Age Group

Nuclide	T. Body	GI Tract	Bone	Liver	Kidney	Thyroid	Lung	Skin
H-3	1.94E+02	1.94E+02		1.94E+02	1.94E+02	1.94E+02	1.94E+02	
C-14	3.06E+04	3.06E+04	1.53E+05	3.06E+04	3.06E+04	3.06E+04	3.06E+04	
Cr-51	2.92E+03	4.91E+05			6.41E+02	1.62E+03	4.17E+03	
Mn-54	8.94E+05	9.24E+06		4.51E+06	1.34E+06			
Fe-59	1.04E+08	6.37E+08	1.15E+08	2.69E+08			8.49E+07	
Co-58	1.85E+07	1.11E+08		8.05E+06				
Co-60	8.80E+07	5.09E+08		3.91E+07				
Zn-65	2.58E+08	2.34E+08	1.59E+08	5.52E+08	3.53E+08			
Sr-89	4.02E+06	1.67E+07	1.40E+08					
Sr-90	1.34E+09	1.52E+08	5.42E+09					
Zr-95	1.84E+05	6.18E+08	8.49E+05	2.68E+05	3.94E+05			
I-131	3.36E+06	1.24E+06	4.47E+06	6.26E+06	1.08E+07	1.83E+09		
I-133	8.05E-02	2.00E-01	1.56E-01	2.64E-01	4.63E-01	3.68E+01		
I-135	1.82E-17	5.44E-17	1.91E-17	4.91E-17	7.76E-17	3.16E-15		
Cs-134	3.77E+08	1.01E+07	3.46E+08	8.14E+08	2.59E+08		9.87E+07	
Cs-136	1.25E+07	1.49E+06	4.72E+06	1.86E+07	1.01E+07		1.59E+06	
Cs-137	2.26E+08	9.24E+06	4.88E+08	6.49E+08	2.21E+08		8.59E+07	
Ba-140	7.68E+05	1.84E+07	1.19E+07	1.46E+04	4.95E+03		9.82E+03	
Ce-141	4.76E+02	1.18E+07	6.20E+03	4.14E+03	1.95E+03			
Ce-144	4.23E+04	1.98E+08	7.87E+05	3.26E+05	1.94E+05			
Nb-95	2.90E+05	2.25E+09	9.50E+05	5.27E+05	5.11E+05			
Ru-103	1.96E+07	3.84E+09	4.59E+07		1.62E+08			

*Ri values are in units of mRem/yr per $\mu\text{Ci}/\text{m}^3$ for H-3 and C-14, and units of m^2 mRem/yr per $\mu\text{Ci}/\text{Sec}$ for all others.

MONTICELLO NUCLEAR GENERATING PLANT	ODCM-05.01
Gaseous Effluent Calculations	Revision 15
	Page 62 of 77

Table 12 Ri Values for the Monticello Nuclear Generating Plant Meat Pathway Child Age Group

Nuclide	T. Body	GI Tract	Bone	Liver	Kidney	Thyroid	Lung	Skin
H-3	2.34E+02	2.34E+02		2.34E+02	2.34E+02	2.34E+02	2.34E+02	
C-14	5.74E+04	5.74E+04	2.87E+05	5.74E+04	5.74E+04	5.74E+04	5.74E+04	
Cr-51	4.56E+03	2.42E+05			6.91E+02	2.53E+03	4.62E+03	
Mn-54	1.37E+06	4.33E+06		5.15E+06	1.45E+06			
Fe-59	1.65E+08	3.45E+08	2.04E+08	3.31E+08			9.59E+07	
Co-58	2.88E+07	5.48E+07		9.40E+06				
Co-60	1.37E+08	2.57E+08		4.64E+07				
Zn-65	3.95E+08	1.12E+08	2.39E+08	6.36E+08	4.01E+08			
Sr-89	7.58E+06	1.03E+07	2.65E+08					
Sr-90	1.78E+09	9.44E+07	7.01E+09					
Zr-95	2.95E+05	3.46E+08	1.51E+06	3.31E+05	4.74E+05			
I-131	4.74E+06	7.42E+05	8.29E+06	8.34E+06	1.37E+07	2.76E+09		
I-133	1.35E-01	1.44E-01	2.89E-01	3.57E-01	5.96E-01	6.64E+01		
I-135	2.94E-17	4.74E-17	3.45E-17	6.22E-17	9.53E-17	5.51E-15		
Cs-134	2.11E+08	5.39E+06	6.10E+08	1.00E+09	3.10E+08		1.11E+08	
Cs-136	1.45E+07	7.87E+05	8.14E+06	2.24E+07	1.19E+07		1.78E+06	
Cs-137	1.27E+08	5.39E+06	8.99E+08	8.60E+08	2.80E+08		1.01E+08	
Ba-140	1.28E+06	1.11E+07	2.20E+07	1.93E+04	6.28E+03		1.15E+04	
Ce-141	8.65E+02	7.27E+06	1.17E+04	5.82E+03	2.55E+03			
Ce-144	7.92E+04	1.21E+08	1.48E+06	4.65E+05	2.57E+05			
Nb-95	4.57E+05	1.18E+09	1.64E+06	6.39E+05	6.00E+05			
Ru-103	3.19E+07	2.15E+09	8.30E+07		2.09E+08			

*Ri values are in units of mRem/yr per $\mu\text{Ci}/\text{m}^3$ for H-3 and C-14, and units of m^2 mRem/yr per $\mu\text{Ci}/\text{Sec}$ for all others.

MONTICELLO NUCLEAR GENERATING PLANT	ODCM-05.01
Gaseous Effluent Calculations	Revision 15
	Page 63 of 77

Table 13 Ri Values for the Monticello Nuclear Generating Plant Cow Milk Pathway Adult Age Group

Nuclide	T. Body	GI Tract	Bone	Liver	Kidney	Thyroid	Lung	Skin
H-3	7.63E+02	7.63E+02		7.63E+02	7.63E+02	7.63E+02	7.63E+02	
C-14	1.02E+05	1.02E+05	5.10E+05	1.02E+05	1.02E+05	1.02E+05	1.02E+05	
Cr-51	1.48E+04	3.73E+06			3.26E+03	8.86E+03	1.97E+04	
Mn-54	1.03E+06	1.66E+07		5.41E+06	1.61E+06			
Fe-59	1.45E+07	1.26E+08	1.61E+07	3.79E+07			1.06E+07	
Co-58	6.05E+06	5.47E+07		2.70E+06				
Co-60	2.42E+07	2.06E+08		1.10E+07				
Zn-65	1.25E+09	1.75E+09	8.72E+08	2.77E+09	1.86E+09			
Sr-89	2.29E+07	1.28E+08	7.99E+08					
Sr-90	7.74E+09	9.11E+08	3.15E+10					
Zr-95	1.16E+02	5.43E+05	5.34E+02	1.71E+02	2.69E+02			
I-131	1.21E+08	5.59E+07	1.48E+08	2.12E+08	3.63E+08	6.94E+10		
I-133	1.03E+06	3.03E+06	1.94E+06	3.37E+06	5.88E+06	4.95E+08		
I-135	6.24E+03	1.91E+04	6.46E+03	1.69E+04	2.71E+04	1.11E+06		
Cs-134	7.27E+09	1.56E+08	3.74E+09	8.89E+09	2.88E+09		9.55E+08	
Cs-136	3.75E+08	5.92E+07	1.32E+08	5.21E+08	2.90E+08		3.98E+07	
Cs-137	4.46E+09	1.32E+08	4.98E+09	6.80E+09	2.31E+09		7.68E+08	
Ba-140	8.83E+05	2.77E+07	1.35E+07	1.69E+04	5.76E+03		9.69E+03	
Ce-141	1.95E+02	6.58E+06	2.55E+03	1.72E+03	8.00E+02			
Ce-144	1.23E+04	7.75E+07	2.29E+05	9.58E+04	5.68E+04			
Nb-95	1.31E+04	1.48E+08	4.37E+04	2.43E+04	2.40E+04			
Ru-103	2.35E+02	6.37E+04	5.46E+02		2.08E+03			

*Ri values are in units of mRem/yr per $\mu\text{Ci}/\text{m}^3$ for H-3 and C-14, and units of m^2 mRem/yr per $\mu\text{Ci}/\text{Sec}$ for all others.

MONTICELLO NUCLEAR GENERATING PLANT	ODCM-05.01
Gaseous Effluent Calculations	Revision 15
	Page 64 of 77

Table 14 R_i Values for the Monticello Nuclear Generating Plant Cow Milk Pathway Teen Age Group

Nuclide	T. Body	GI Tract	Bone	Liver	Kidney	Thyroid	Lung	Skin
H-3	9.94E+02	9.94E+02		9.94E+02	9.94E+02	9.94E+02	9.94E+02	
C-14	1.88E+05	1.88E+05	9.40E+05	1.88E+05	1.88E+05	1.88E+05	1.88E+05	
Cr-51	2.59E+04	4.35E+06			5.67E+03	1.44E+04	3.69E+04	
Mn-54	1.79E+06	1.85E+07		9.02E+06	2.69E+06			
Fe-59	2.54E+07	1.55E+08	2.82E+07	6.57E+07			2.07E+07	
Co-58	1.05E+07	6.26E+07		4.54E+06				
Co-60	4.19E+07	2.42E+08		1.86E+07				
Zn-65	2.17E+09	1.97E+09	1.34E+09	4.65E+09	2.98E+09			
Sr-89	4.22E+07	1.75E+08	1.47E+09					
Sr-90	1.10E+10	1.25E+09	4.46E+10					
Zr-95	2.03E+02	6.80E+05	9.34E+02	2.95E+02	4.33E+02			
I-131	2.02E+08	7.44E+07	2.69E+08	3.76E+08	6.48E+08	1.10E+11		
I-133	1.83E+06	4.54E+06	3.54E+06	6.01E+06	1.05E+07	8.38E+08		
I-135	1.09E+04	3.27E+04	1.15E+04	2.95E+04	4.66E+04	1.90E+06		
Cs-134	7.09E+09	1.90E+08	6.49E+09	1.53E+10	4.85E+09		1.85E+09	
Cs-136	5.94E+08	7.12E+07	2.25E+08	8.85E+08	4.82E+08		7.59E+07	
Cs-137	4.18E+09	1.71E+08	9.02E+09	1.20E+10	4.08E+09		1.59E+09	
Ba-140	1.57E+06	3.75E+07	2.43E+07	2.98E+04	1.01E+04		2.00E+04	
Ce-141	3.58E+02	8.92E+06	4.67E+03	3.12E+03	1.47E+03			
Ce-144	2.27E+04	1.06E+08	4.22E+05	1.74E+05	1.04E+05			
Nb-95	2.28E+04	1.77E+08	7.45E+04	4.14E+04	4.01E+04			
Ru-103	4.15E+02	8.10E+04	9.70E+02		3.42E+03			

*R_i values are in units of mRem/yr per $\mu\text{Ci}/\text{m}^3$ for H-3 and C-14, and units of m^2 mRem/yr per $\mu\text{Ci}/\text{Sec}$ for all others.

MONTICELLO NUCLEAR GENERATING PLANT	ODCM-05.01
Gaseous Effluent Calculations	Revision 15
	Page 65 of 77

Table 15 Ri Values for the Monticello Nuclear Generating Plant Cow Milk Pathway Child Age Group

Nuclide	T. Body	GI Tract	Bone	Liver	Kidney	Thyroid	Lung	Skin
H-3	1.57E+03	1.57E+03		1.57E+03	1.57E+03	1.57E+03	1.57E+03	
C-14	4.62E+05	4.62E+05	2.31E+06	4.62E+05	4.62E+05	4.62E+05	4.62E+05	
Cr-51	5.28E+04	2.80E+06			8.00E+03	2.93E+04	5.35E+04	
Mn-54	3.59E+06	1.13E+07		1.35E+07	3.78E+06			
Fe-59	5.26E+07	1.10E+08	6.53E+07	1.06E+08			3.06E+07	
Co-58	2.12E+07	4.05E+07		6.94E+06				
Co-60	8.52E+07	1.60E+08		2.89E+07				
Zn-65	4.35E+09	1.23E+09	2.63E+09	7.00E+09	4.41E+09			
Sr-89	1.04E+08	1.41E+08	3.65E+09					
Sr-90	1.91E+10	1.01E+09	7.53E+10					
Zr-95	4.24E+02	4.97E+05	2.17E+03	4.77E+02	6.82E+02			
I-131	3.72E+08	5.84E+07	6.52E+08	6.56E+08	1.08E+09	2.17E+11		
I-133	4.02E+06	4.29E+06	8.60E+06	1.06E+07	1.77E+07	1.98E+09		
I-135	2.31E+04	3.72E+04	2.71E+04	4.89E+04	7.49E+04	4.33E+06		
Cs-134	5.18E+09	1.32E+08	1.50E+10	2.46E+10	7.61E+09		2.73E+09	
Cs-136	9.03E+08	4.90E+07	5.07E+08	1.39E+09	7.43E+08		1.11E+08	
Cs-137	3.07E+09	1.30E+08	2.17E+10	2.08E+10	6.78E+09		2.44E+09	
Ba-140	3.43E+06	2.98E+07	5.87E+07	5.14E+04	1.67E+04		3.07E+04	
Ce-141	8.52E+02	7.15E+06	1.15E+04	5.73E+03	2.51E+03			
Ce-144	5.55E+04	8.50E+07	1.04E+06	3.26E+05	1.80E+05			
Nb-95	4.68E+04	1.21E+08	1.68E+05	6.55E+04	6.16E+04			
Ru-103	8.82E+02	5.93E+04	2.29E+03		5.78E+03			

*Ri values are in units of mRem/yr per $\mu\text{Ci}/\text{m}^3$ for H-3 and C-14, and units of m^2 mRem/yr per $\mu\text{Ci}/\text{Sec}$ for all others.

MONTICELLO NUCLEAR GENERATING PLANT	ODCM-05.01
Gaseous Effluent Calculations	Revision 15
	Page 66 of 77

Table 16 Ri Values for the Monticello Nuclear Generating Plant Cow Milk Pathway Infant Age Group

Nuclide	T. Body	GI Tract	Bone	Liver	Kidney	Thyroid	Lung	Skin
H-3	2.38E+03	2.38E+03		2.38E+03	2.38E+03	2.38E+03	2.38E+03	
C-14	9.67E+05	9.67E+05	4.53E+06	9.67E+05	9.67E+05	9.67E+05	9.67E+05	
Cr-51	8.36E+04	2.44E+06			1.19E+04	5.45E+04	1.06E+05	
Mn-54	5.69E+06	9.22E+06		2.51E+07	5.56E+06			
Fe-59	8.39E+07	1.02E+08	1.22E+08	2.13E+08			6.29E+07	
Co-58	3.44E+07	3.46E+07		1.39E+07				
Co-60	1.39E+08	1.40E+08		5.90E+07				
Zn-65	5.58E+09	1.02E+10	3.53E+09	1.21E+10	5.87E+09			
Sr-89	1.99E+08	1.43E+08	6.93E+09					
Sr-90	2.09E+10	1.02E+09	8.19E+10					
Zr-95	6.66E+02	4.67E+05	3.85E+03	9.39E+02	1.01E+03			
I-131	7.05E+08	5.72E+07	1.36E+09	1.60E+09	1.87E+09	5.27E+11		
I-133	7.74E+06	4.48E+06	1.82E+07	2.64E+07	3.11E+07	4.81E+09		
I-135	4.10E+04	4.06E+04	5.65E+04	1.12E+05	1.25E+05	1.01E+07		
Cs-134	4.54E+09	1.22E+08	2.41E+10	4.50E+10	1.16E+10		4.75E+09	
Cs-136	1.09E+09	4.43E+07	9.91E+08	2.91E+09	1.16E+09		2.38E+08	
Cs-137	2.88E+09	1.27E+08	3.47E+10	4.06E+10	1.09E+10		4.41E+09	
Ba-140	6.23E+06	2.97E+07	1.21E+08	1.21E+05	2.87E+04		7.42E+04	
Ce-141	1.64E+03	7.18E+06	2.28E+04	1.39E+04	4.29E+03			
Ce-144	8.35E+04	8.55E+07	1.49E+06	6.10E+05	2.46E+05			
Nb-95	7.48E+04	1.09E+08	3.14E+05	1.29E+05	9.28E+04			
Ru-103	1.55E+03	5.65E+04	4.65E+03		9.67E+03			

*Ri values are in units of mRem/yr per $\mu\text{Ci}/\text{m}^3$ for H-3 and C-14, and units of m^2 mRem/yr per $\mu\text{Ci}/\text{Sec}$ for all others.

MONTICELLO NUCLEAR GENERATING PLANT	ODCM-05.01
Gaseous Effluent Calculations	Revision 15
	Page 67 of 77

Table 17 R_i Values for the Monticello Nuclear Generating Plant Goat Milk Pathway Adult Age Group

Nuclide	T. Body	GI Tract	Bone	Liver	Kidney	Thyroid	Lung	Skin
H-3	1.56E+03	1.56E+03		1.56E+03	1.56E+03	1.56E+03	1.56E+03	
C-14	1.02E+05	1.02E+05	5.10E+05	1.02E+05	1.02E+05	1.02E+05	1.02E+05	
Cr-51	1.78E+03	4.47E+05			3.92E+02	1.06E+03	2.36E+03	
Mn-54	1.24E+05	1.99E+06		6.50E+05	1.93E+05			
Fe-59	1.89E+05	1.64E+06	2.10E+05	4.93E+05			1.38E+05	
Co-58	7.26E+05	6.56E+06		3.24E+05				
Co-60	2.91E+06	2.48E+07		1.32E+06				
Zn-65	1.50E+08	2.10E+08	1.05E+08	3.33E+08	2.23E+08			
Sr-89	4.82E+07	2.69E+08	1.68E+09					
Sr-90	1.63E+10	1.91E+09	6.62E+10					
Zr-95	1.39E+01	6.51E+04	6.41E+01	2.05E+01	3.22E+01			
I-131	1.46E+08	6.71E+07	1.78E+08	2.54E+08	4.36E+08	8.33E+10		
I-133	1.23E+06	3.64E+06	2.33E+06	4.05E+06	7.06E+06	5.95E+08		
I-135	7.49E+03	2.29E+04	7.75E+03	2.03E+04	3.25E+04	1.34E+06		
Cs-134	2.18E+10	4.67E+08	1.12E+10	2.67E+10	8.63E+09		2.87E+09	
Cs-136	1.13E+09	1.78E+08	3.96E+08	1.56E+09	8.70E+08		1.19E+08	
Cs-137	1.34E+10	3.95E+08	1.49E+10	2.04E+10	6.93E+09		2.30E+09	
Ba-140	1.06E+05	3.33E+06	1.62E+06	2.03E+03	6.91E+02		1.16E+03	
Ce-141	2.34E+01	7.90E+05	3.06E+02	2.07E+02	9.60E+01			
Ce-144	1.48E+03	9.30E+06	2.75E+04	1.15E+04	6.82E+03			
Nb-95	1.57E+03	1.77E+07	5.25E+03	2.92E+03	2.88E+03			
Ru-103	2.82E+01	7.64E+03	6.55E+01		2.50E+02			

*R_i values are in units of mRem/yr per μCi/m³ for H-3 and C-14, and units of m² mRem/yr per μCi/Sec for all others.

MONTICELLO NUCLEAR GENERATING PLANT	ODCM-05.01
Gaseous Effluent Calculations	Revision 15
	Page 68 of 77

Table 18 Ri Values for the Monticello Nuclear Generating Plant Goat Milk Pathway Teen Age Group

Nuclide	T. Body	GI Tract	Bone	Liver	Kidney	Thyroid	Lung	Skin
H-3	2.03E+03	2.03E+03		2.03E+03	2.03E+03	2.03E+03	2.03E+03	
C-14	1.88E+05	1.88E+05	9.40E+05	1.88E+05	1.88E+05	1.88E+05	1.88E+05	
Cr-51	3.10E+03	5.22E+05			6.80E+02	1.72E+03	4.43E+03	
Mn-54	2.15E+05	2.22E+06		1.08E+06	3.23E+05			
Fe-59	3.30E+05	2.02E+06	3.66E+05	8.54E+05			2.69E+05	
Co-58	1.26E+06	7.52E+06		5.45E+05				
Co-60	5.03E+06	2.91E+07		2.23E+06				
Zn-65	2.60E+08	2.36E+08	1.61E+08	5.58E+08	3.57E+08			
Sr-89	8.86E+07	3.69E+08	3.09E+09					
Sr-90	2.31E+10	2.63E+09	9.36E+10					
Zr-95	2.43E+01	8.16E+04	1.12E+02	3.54E+01	5.19E+01			
I-131	2.43E+08	8.93E+07	3.22E+08	4.51E+08	7.77E+08	1.32E+11		
I-133	2.20E+06	5.45E+06	4.25E+06	7.21E+06	1.26E+07	1.01E+09		
I-135	1.31E+04	3.93E+04	1.38E+04	3.54E+04	5.60E+04	2.28E+06		
Cs-134	2.13E+10	5.70E+08	1.95E+10	4.58E+10	1.46E+10		5.56E+09	
Cs-136	1.78E+09	2.14E+08	6.74E+08	2.65E+09	1.44E+09		2.28E+08	
Cs-137	1.25E+10	5.12E+08	2.71E+10	3.60E+10	1.23E+10		4.76E+09	
Ba-140	1.88E+05	4.50E+06	2.92E+06	3.58E+03	1.21E+03		2.41E+03	
Ce-141	4.30E+01	1.07E+06	5.60E+02	3.74E+02	1.76E+02			
Ce-144	2.72E+03	1.27E+07	5.06E+04	2.09E+04	1.25E+04			
Nb-95	2.73E+03	2.12E+07	8.94E+03	4.96E+03	4.81E+03			
Ru-103	4.98E+01	9.73E+03	1.16E+02		4.10E+02			

*Ri values are in units of mRem/yr per $\mu\text{Ci}/\text{m}^3$ for H-3 and C-14, and units of m^2 mRem/yr per $\mu\text{Ci}/\text{Sec}$ for all others.

MONTICELLO NUCLEAR GENERATING PLANT	ODCM-05.01
Gaseous Effluent Calculations	Revision 15
	Page 69 of 77

Table 19 Ri Values for the Monticello Nuclear Generating Plant Goat Milk Pathway Child Age Group

Nuclide	T. Body	GI Tract	Bone	Liver	Kidney	Thyroid	Lung	Skin
H-3	3.20E+03	3.20E+03		3.20E+03	3.20E+03	3.20E+03	3.20E+03	
C-14	4.62E+05	4.62E+05	2.31E+06	4.62E+05	4.62E+05	4.62E+05	4.62E+05	
Cr-51	6.33E+03	3.36E+05			9.60E+02	3.51E+03	6.42E+03	
Mn-54	4.31E+05	1.36E+06		1.62E+06	4.54E+05			
Fe-59	6.84E+05	1.43E+06	8.49E+05	1.37E+06			3.98E+05	
Co-58	2.55E+06	4.86E+06		8.33E+05				
Co-60	1.02E+07	1.92E+07		3.47E+06				
Zn-65	5.22E+08	1.48E+08	3.15E+08	8.40E+08	5.29E+08			
Sr-89	2.19E+08	2.96E+08	7.66E+09					
Sr-90	4.01E+10	2.13E+09	1.58E+11					
Zr-95	5.09E+01	5.97E+04	2.60E+02	5.72E+01	8.19E+01			
I-131	4.47E+08	7.00E+07	7.82E+08	7.87E+08	1.29E+09	2.60E+11		
I-133	4.83E+06	5.14E+06	1.03E+07	1.28E+07	2.13E+07	2.37E+09		
I-135	2.77E+04	4.47E+04	3.26E+04	5.86E+04	8.99E+04	5.19E+06		
Cs-134	1.55E+10	3.97E+08	4.49E+10	7.37E+10	2.28E+10		8.19E+09	
Cs-136	2.71E+09	1.47E+08	1.52E+09	4.18E+09	2.23E+09		3.32E+08	
Cs-137	9.21E+09	3.91E+08	6.52E+10	6.24E+10	2.03E+10		7.32E+09	
Ba-140	4.11E+05	3.57E+06	7.05E+06	6.17E+03	2.01E+03		3.68E+03	
Ce-141	1.02E+02	8.58E+05	1.38E+03	6.88E+02	3.02E+02			
Ce-144	6.66E+03	1.02E+07	1.25E+05	3.91E+04	2.17E+04			
Nb-95	5.62E+03	1.45E+07	2.02E+04	7.86E+03	7.39E+03			
Ru-103	1.06E+02	7.12E+03	2.75E+02		6.93E+02			

*Ri values are in units of mRem/yr per $\mu\text{Ci}/\text{m}^3$ for H-3 and C-14, and units of m^2 mRem/yr per $\mu\text{Ci}/\text{Sec}$ for all others.

MONTICELLO NUCLEAR GENERATING PLANT	ODCM-05.01
Gaseous Effluent Calculations	Revision 15
	Page 70 of 77

Table 20 R_i Values for the Monticello Nuclear Generating Plant Goat Milk Pathway Infant Age Group

Nuclide	T. Body	GI Tract	Bone	Liver	Kidney	Thyroid	Lung	Skin
H-3	4.86E+03	4.86E+03		4.86E+03	4.86E+03	4.86E+03	4.86E+03	
C-14	9.67E+05	9.67E+05	4.53E+06	9.67E+05	9.67E+05	9.67E+05	9.67E+05	
Cr-51	1.00E+04	2.92E+05			1.43E+03	6.55E+03	1.27E+04	
Mn-54	6.82E+05	1.11E+06		3.01E+06	6.67E+05			
Fe-59	1.09E+06	1.32E+06	1.58E+06	2.77E+06			8.18E+05	
Co-58	4.13E+06	4.15E+06		1.67E+06				
Co-60	1.67E+07	1.69E+07		7.08E+06				
Zn-65	6.70E+08	1.23E+09	4.23E+08	1.45E+09	7.04E+08			
Sr-89	4.18E+08	2.99E+08	1.46E+10					
Sr-90	4.38E+10	2.15E+09	1.72E+11					
Zr-95	7.99E+01	5.61E+04	4.62E+02	1.13E+02	1.21E+02			
I-131	8.46E+08	6.87E+07	1.63E+09	1.92E+09	2.25E+09	6.32E+11		
I-133	9.29E+06	5.37E+06	2.18E+07	3.17E+07	3.73E+07	5.77E+09		
I-135	4.91E+04	4.88E+04	6.78E+04	1.35E+05	1.50E+05	1.21E+07		
Cs-134	1.36E+10	3.66E+08	7.23E+10	1.35E+11	3.47E+10		1.42E+10	
Cs-136	3.26E+09	1.33E+08	2.97E+09	8.74E+09	3.48E+09		7.13E+08	
Cs-137	8.63E+09	3.81E+08	1.04E+11	1.22E+11	3.27E+10		1.32E+10	
Ba-140	7.47E+05	3.56E+06	1.45E+07	1.45E+04	3.44E+03		8.90E+03	
Ce-141	1.96E+02	8.62E+05	2.74E+03	1.67E+03	5.14E+02			
Ce-144	1.00E+04	1.03E+07	1.79E+05	7.32E+04	2.96E+04			
Nb-95	8.98E+03	1.31E+07	3.77E+04	1.55E+04	1.11E+04			
Ru-103	1.86E+02	6.78E+03	5.57E+02		1.16E+03			

*R_i values are in units of mRem/yr per μCi/m³ for H-3 and C-14, and units of m² mRem/yr per μCi/Sec for all others.

MONTICELLO NUCLEAR GENERATING PLANT	ODCM-05.01
Gaseous Effluent Calculations	Revision 15
	Page 71 of 77

Table 21 R_i Values for the Monticello Nuclear Generating Plant Inhalation Pathway Adult Age Group

Nuclide	T. Body	GI Tract	Bone	Liver	Kidney	Thyroid	Lung	Skin
H-3	1.26E+03	1.26E+03		1.26E+03	1.26E+03	1.26E+03	1.26E+03	
Cr-51	1.00E+02	3.32E+03			2.28E+01	5.95E+01	1.44E+04	
Mn-54	6.30E+03	7.74E+04		3.96E+04	9.84E+03		1.40E+06	
Fe-59	1.06E+04	1.88E+05	1.18E+04	2.78E+04			1.02E+06	
Co-58	2.07E+03	1.06E+05		1.58E+03			9.28E+05	
Co-60	1.48E+04	2.85E+05		1.15E+04			5.97E+06	
Zn-65	4.66E+04	5.34E+04	3.24E+04	1.03E+05	6.90E+04		8.64E+05	
Sr-89	8.72E+03	3.50E+05	3.04E+05				1.40E+06	
Sr-90	6.10E+06	7.22E+05	9.92E+07				9.60E+06	
Zr-95	2.33E+04	1.50E+05	1.07E+05	3.44E+04	5.42E+04		1.77E+06	
I-131	2.05E+04	6.28E+03	2.52E+04	3.58E+04	6.13E+04	1.19E+07		
I-133	4.52E+03	8.88E+03	8.64E+03	1.48E+04	2.58E+04	2.15E+06		
I-135	2.57E+03	5.25E+03	2.68E+03	6.98E+03	1.11E+04	4.48E+05		
Cs-134	7.28E+05	1.04E+04	3.73E+05	8.48E+05	2.87E+05		9.76E+04	
Cs-136	1.10E+05	1.17E+04	3.90E+04	1.46E+05	8.56E+04		1.20E+04	
Cs-137	4.28E+05	8.40E+03	4.78E+05	6.21E+05	2.22E+05		7.52E+04	
Ba-140	2.57E+03	2.18E+05	3.90E+04	4.90E+01	1.67E+01		1.27E+06	
Ce-141	1.53E+03	1.20E+05	1.99E+04	1.35E+04	6.26E+03		3.62E+05	
Ce-144	1.84E+05	8.16E+05	3.43E+06	1.43E+06	8.48E+05		7.78E+06	
Nb-95	4.21E+03	1.04E+05	1.41E+04	7.82E+03	7.74E+03		5.05E+05	
Ru-103	6.58E+02	1.10E+05	1.53E+03		5.83E+03		5.05E+05	

*R_i values are in units of mRem/yr per μCi/m³ for the Inhalation Pathway.

MONTICELLO NUCLEAR GENERATING PLANT	ODCM-05.01
Gaseous Effluent Calculations	Revision 15
	Page 72 of 77

Table 22 R_i Values for the Monticello Nuclear Generating Plant Inhalation Pathway Teen Age Group

Nuclide	T. Body	GI Tract	Bone	Liver	Kidney	Thyroid	Lung	Skin
H-3	1.27E+03	1.27E+03		1.27E+03	1.27E+03	1.27E+03	1.27E+03	
Cr-51	1.35E+02	3.00E+03			3.07E+01	7.50E+01	2.10E+04	
Mn-54	8.40E+03	6.68E+04		5.11E+04	1.27E+04		1.98E+06	
Fe-59	1.43E+04	1.78E+05	1.59E+04	3.70E+04			1.53E+06	
Co-58	2.78E+03	9.52E+04		2.07E+03			1.34E+06	
Co-60	1.98E+04	2.59E+05		1.51E+04			8.72E+06	
Zn-65	6.24E+04	4.66E+04	3.86E+04	1.34E+05	8.64E+04		1.24E+06	
Sr-89	1.25E+04	3.71E+05	4.34E+05				2.42E+06	
Sr-90	6.68E+06	7.65E+05	1.08E+08				1.65E+07	
Zr-95	3.15E+04	1.49E+05	1.46E+05	4.58E+04	6.74E+04		2.69E+06	
I-131	2.64E+04	6.49E+03	3.54E+04	4.91E+04	8.40E+04	1.46E+07		
I-133	6.22E+03	1.03E+04	1.22E+04	1.89E+04	3.59E+04	2.92E+06		
I-135	3.49E+03	6.95E+03	3.70E+03	9.44E+03	1.49E+04	6.21E+05		
Cs-134	5.49E+05	9.76E+03	5.02E+05	1.13E+06	3.75E+05		1.46E+05	
Cs-136	1.37E+05	1.09E+04	5.15E+04	1.94E+05	1.10E+05		1.78E+04	
Cs-137	3.11E+05	8.48E+03	6.70E+05	8.48E+05	3.04E+05		1.21E+05	
Ba-140	3.52E+03	2.29E+05	5.47E+04	6.70E+01	2.28E+01		2.03E+06	
Ce-141	2.17E+03	1.26E+05	2.84E+04	1.90E+04	8.88E+03		6.14E+05	
Ce-144	2.62E+05	8.64E+05	4.89E+06	2.02E+06	1.21E+06		1.34E+07	
Nb-95	5.66E+03	9.68E+04	1.86E+04	1.03E+04	1.00E+04		7.51E+05	
Ru-103	8.96E+02	1.09E+05	2.10E+03		7.43E+03		7.83E+05	

*R_i values are in units of mRem/yr per μCi/m³ for the Inhalation Pathway.

MONTICELLO NUCLEAR GENERATING PLANT	ODCM-05.01
Gaseous Effluent Calculations	Revision 15
	Page 73 of 77

Table 23 R_i Values for the Monticello Nuclear Generating Plant Inhalation Pathway Child Age Group

Nuclide	T. Body	GI Tract	Bone	Liver	Kidney	Thyroid	Lung	Skin
H-3	1.12E+03	1.12E+03		1.12E+03	1.12E+03	1.12E+03	1.12E+03	
Cr-51	1.54E+02	1.08E+03			2.43E+01	8.55E+01	1.70E+04	
Mn-54	9.51E+03	2.29E+04		4.29E+04	1.00E+04		1.58E+06	
Fe-59	1.67E+04	7.07E+04	2.07E+04	3.34E+04			1.27E+06	
Co-58	3.16E+03	3.44E+04		1.77E+03			1.11E+06	
Co-60	2.26E+04	9.62E+04		1.31E+04			7.07E+06	
Zn-65	7.03E+04	1.63E+04	4.26E+04	1.13E+05	7.14E+04		9.95E+05	
Sr-89	1.72E+04	1.67E+05	5.99E+05				2.16E+06	
Sr-90	6.44E+06	3.43E+05	1.01E+08				1.48E+07	
Zr-95	3.70E+04	6.11E+04	1.90E+05	4.18E+04	5.96E+04		2.23E+06	
I-131	2.73E+04	2.84E+03	4.81E+04	4.81E+04	7.88E+04	1.62E+07		
I-133	7.70E+03	5.48E+03	1.66E+04	2.03E+04	3.38E+04	3.85E+06		
I-135	4.14E+03	4.44E+03	4.92E+03	8.73E+03	1.34E+04	7.92E+05		
Cs-134	2.25E+05	3.85E+03	6.51E+05	1.01E+06	3.30E+05		1.21E+05	
Cs-136	1.16E+05	4.18E+03	6.51E+04	1.71E+05	9.55E+04		1.45E+04	
Cs-137	1.28E+05	3.62E+03	9.07E+05	8.25E+05	2.82E+05		1.04E+05	
Ba-140	4.33E+03	1.02E+05	7.40E+04	6.48E+01	2.11E+01		1.74E+06	
Ce-141	2.90E+03	5.66E+04	3.92E+04	1.95E+04	8.55E+03		5.44E+05	
Ce-144	3.61E+05	3.89E+05	6.77E+06	2.12E+06	1.17E+06		1.20E+07	
Nb-95	6.55E+03	3.70E+04	2.35E+04	9.18E+03	8.62E+03		6.14E+05	
Ru-103	1.07E+03	4.48E+04	2.79E+03		7.03E+03		6.62E+05	

*R_i values are in units of mRem/yr per μCi/m³ for the Inhalation Pathway.

MONTICELLO NUCLEAR GENERATING PLANT	ODCM-05.01
Gaseous Effluent Calculations	Revision 15
	Page 74 of 77

Table 24 R_i Values for the Monticello Nuclear Generating Plant Inhalation Pathway Infant Age Group

Nuclide	T. Body	GI Tract	Bone	Liver	Kidney	Thyroid	Lung	Skin
H-3	6.47E+02	6.47E+02		6.47E+02	6.47E+02	6.47E+02	6.47E+02	
Cr-51	8.95E+01	3.57E+02			1.32E+01	5.75E+01	1.28E+04	
Mn-54	4.98E+03	7.06E+03		2.53E+04	4.98E+03		1.00E+06	
Fe-59	9.48E+03	2.48E+04	1.36E+04	2.35E+04			1.02E+06	
Co-58	1.82E+03	1.11E+04		1.22E+03			7.77E+05	
Co-60	1.18E+04	3.19E+04		8.02E+03			4.51E+06	
Zn-65	3.11E+04	5.14E+04	1.93E+04	6.26E+04	3.25E+04		6.47E+05	
Sr-89	1.14E+04	6.40E+04	3.98E+05				2.03E+06	
Sr-90	2.59E+06	1.31E+05	4.09E+07				1.12E+07	
Zr-95	2.03E+04	2.17E+04	1.15E+05	2.79E+04	3.11E+04		1.75E+06	
I-131	1.96E+04	1.06E+03	3.79E+04	4.44E+04	5.18E+04	1.48E+07		
I-133	5.60E+03	2.16E+03	1.32E+04	1.92E+04	2.24E+04	3.56E+06		
I-135	2.77E+03	1.83E+03	3.86E+03	7.60E+03	8.47E+03	6.96E+05		
Cs-134	7.45E+04	1.33E+03	3.96E+05	7.03E+05	1.90E+05		7.97E+04	
Cs-136	5.29E+04	1.43E+03	4.83E+04	1.35E+05	5.64E+04		1.18E+04	
Cs-137	4.55E+04	1.33E+03	5.49E+05	6.12E+05	1.72E+05		7.13E+04	
Ba-140	2.90E+03	3.84E+04	5.60E+04	5.60E+01	1.34E+01		1.60E+06	
Ce-141	1.99E+03	2.16E+04	2.77E+04	1.67E+04	5.25E+03		5.17E+05	
Ce-144	1.76E+05	1.48E+05	3.19E+06	1.21E+06	5.38E+05		9.84E+06	
Nb-95	3.78E+03	1.27E+04	1.57E+04	6.43E+03	4.72E+03		4.79E+05	
Ru-103	6.79E+02	1.61E+04	2.02E+03		4.24E+03		5.52E+05	

*R_i values are in units of mRem/yr per μCi/m³ for the Inhalation Pathway.

Table 25 Table of Radioisotope Constants Used for Offgas Calculations*

i	Nuclide	Cumulative Fission Yield** (%)	Decay Constant (s ⁻¹)	Half-Life
1	Xe-133	6.921	1.53E-06	5.243 d
2	Xe-135	7.287	2.12E-05	9.1 h
3	Kr-85m	0.782	4.30E-05	4.48 h
4	Kr-88	1.956	6.78E-05	2.84 h
5	Kr-87	1.460	1.52E-04	1.27 h
6	Xe-138	5.509	8.19E-04	14.1 m
7	Kr-90	2.345	2.15E-02	32.3 s
8	Xe-139	3.672	1.75E-02	39.7 s
9	Kr-89	2.370	3.67E-03	3.15 m
10	Xe-137	6.014	3.02E-03	3.82 m
11	Xe-135m	1.530	7.55E-04	15.3 m
12	Kr-83m	0.369	1.05E-04	1.83 h
13	Xe-133m	0.217	3.66E-06	2.19 d
14	Xe-131m	0.050	6.74E-07	11.9 d
15	Kr-85	0.171	2.05E-09	10.73 y

* Data taken from EPRI Fuel Reliability Monitoring and Failure Evaluation Handbook (2010), Revision 2 1019107 (Reference 10), and ENDF-349, Appendix A (Reference 11).

** Cumulative Fission Yields were calculated assuming 30% U-235 and 70% Pu-239. Other ratios may be used as appropriate if the basis for the new ratio is provided.

Table 26 Default Reactor Building Vent WRGM Setpoint (Section 2.1.1.A.)

$(\chi/Q)_v$	2.60E-06	Highest Site Boundary (χ/Q , $\mu\text{Ci}/\text{m}^3$ per $\mu\text{Ci}/\text{sec}$) for RBV releases from ODCM-APP-A Table 3. SSE boundary.						
Radionuclide	Reactor Building Vent (Table 1) ¹	S_i (RVB, Unitless)	Total Body Dose Factor K_i (mrem/yr per $\mu\text{Ci}/\text{m}^3$, Table 4)	$S_i * K_i$	Skin Dose Factor L_i (mrem/yr per $\mu\text{Ci}/\text{m}^3$, Table 4)	Gamma Air Dose Factor M_i (mrad/yr per $\mu\text{Ci}/\text{m}^3$, Table 4)	$L_i + 1.1M_i$	$S_i * (L_i + 1.1M_i)$
Kr-83m	-	-	7.56E-02	-	-	1.93E+01	2.12E+01	-
Kr-85m	7.10E+01	1.98E-02	1.17E+03	2.32E+01	1.46E+03	1.23E+03	2.81E+03	5.58E+01
Kr-85	-	-	1.61E+01	-	1.34E+03	1.72E+01	1.36E+03	-
Kr-87	1.33E+02	3.72E-02	5.92E+03	2.20E+02	9.73E+03	6.17E+03	1.65E+04	6.14E+02
Kr-88	2.33E+02	6.51E-02	1.47E+04	9.57E+02	2.37E+03	1.52E+04	1.91E+04	1.24E+03
Kr-89	-	-	1.66E+04	-	1.01E+04	1.73E+04	2.91E+04	-
Kr-90	-	-	1.56E+04	-	7.29E+03	1.63E+04	2.52E+04	-
Xe-131m	-	-	9.15E+01	-	4.76E+02	1.56E+02	6.48E+02	-
Xe-133m	-	-	2.51E+02	-	9.94E+02	3.27E+02	1.35E+03	-
Xe-133	3.26E+02	9.11E-02	2.94E+02	2.68E+01	3.06E+02	3.53E+02	6.94E+02	6.33E+01
Xe-135m	6.96E+02	1.95E-01	3.12E+03	6.07E+02	7.11E+02	3.36E+03	4.41E+03	8.57E+02
Xe-135	7.09E+02	1.98E-01	1.81E+03	3.59E+02	1.86E+03	1.92E+03	3.97E+03	7.87E+02
Xe-137	-	-	1.42E+03	-	1.22E+04	1.51E+03	1.39E+04	-
Xe-138	1.41E+03	3.94E-01	8.83E+03	3.48E+03	4.13E+03	9.21E+03	1.43E+04	5.62E+03
Xe-139	-	-	5.02E+03	-	6.52E+04	5.28E+03	7.10E+04	-
Ar-41	-	-	8.84E+03	-	2.69E+03	9.30E+03	1.29E+04	-
Total	3.58E+03			5.67E+03				9.24E+03
Qtb	3.39E+04							
Qts	1.25E+05							
HHSP	1.70E+04							

¹ For the Reactor Building Vent default setpoint calculation, the GALE Code source term for Reactor Building Vent is used, exclusively.

Table 27 Default Plant Stack WRGM Setpoint (Section 2.1.1.B.)

$(\chi/Q)_s$	6.10E-8	Highest Site Boundary $(\chi/Q, \mu\text{Ci}/\text{m}^3$ per $\mu\text{Ci}/\text{sec}$) for Stack releases from ODCM-APP-A Table 6. WNW & NNE boundaries.						
Radionuclide	Gland Seal ¹	S_i (Gland Seal, No Kr-83)	Total Body Dose Factor for elevated Plume, V_i (Table 5)	$S_i^*V_i$	Gamma Air Dose Factor for Elevated Plume B_i (Table 5)	L_i	$L_i^*(X/Q)_s +$ 1.1 B_i	$S_i^*(L_i^*(X/Q)_s +$ 1.1 B_i
Kr-83m	.. ²	-	2.61E-09	-	3.77E-07	-	4.15E-07	-
Kr-85m	4.10E+01	1.68E-02	1.39E-04	2.34E-06	2.07E-04	1.46E+03	3.17E-04	5.33E-06
Kr-85	-	-	2.10E-06	-	3.18E-06	1.34E+03	8.52E-05	-
Kr-87	1.40E+02	5.75E-02	6.33E-04	3.64E-05	9.52E-04	9.73E+03	1.64E-03	9.43E-05
Kr-88	1.40E+02	5.75E-02	1.66E-03	9.54E-05	2.49E-03	2.37E+03	2.88E-03	1.66E-04
Kr-89	6.00E+02	2.46E-01	1.12E-03	2.76E-04	1.68E-03	1.01E+04	2.46E-03	6.07E-04
Kr-90	-	-	1.61E-04	-	2.42E-04	7.29E+03	7.11E-04	-
Xe-131m	-	-	3.31E-05	-	5.21E-05	4.76E+02	8.63E-05	-
Xe-133m	2.00E+00	8.21E-04	2.51E-05	2.06E-08	4.09E-05	9.94E+02	1.06E-04	8.67E-08
Xe-133	3.26E+01	9.11E-02	2.61E-05	6.00E-07	4.08E-05	3.06E+02	6.35E-05	1.46E-06
Xe-135m	6.96E+01	1.95E-03	3.34E-04	2.33E-06	5.06E-04	7.11E+02	6.00E-04	4.19E-06
Xe-135	7.09E+02	1.98E-02	2.24E-04	1.38E-05	3.37E-04	1.86E+03	4.84E-04	2.98E-05
Xe-137	7.30E+02	3.00E-01	9.99E-05	2.99E-05	1.51E-04	1.22E+04	9.10E-04	2.73E-04
Xe-138	5.60E+02	2.30E-01	9.90E-04	2.28E-04	1.49E-03	4.13E+03	1.89E-03	4.35E-04
Xe-139	-	-	5.79E-05	-	8.69E-05	6.52E+04	4.07E-03	-
Ar-41	-	-	1.20E-03	-	1.80E-03	2.69E+03	2.14E-03	-
Total	2.44E+03	1.00E+00		6.84E-04				1.61E-03

Qtb	7.31E+05
Qts	1.86E+06
HHSP	3.65E+05

¹ For the Plant Stack default setpoint calculation, the GALE Code source term for Gland Seal is used to determine the default maximum High setpoint.

² Kr-83m is dropped from the setpoint because it cannot be detected by either the HPGe or WRGM. This produces a conservatively low default max setpoint.

MONTICELLO NUCLEAR GENERATING PLANT		ODCM-06.01
TITLE:	DOSE FROM ALL URANIUM FUEL CYCLE SOURCES	Revision 4
		Page 1 of 7

Approval: ODC 01480982

OFFSITE DOSE CALCULATION MANUAL - TABLE OF CONTENTS

<u>SECTION</u>	<u>PAGE</u>
1.0 RECORD OF REVISION	2
2.0 DOSE FROM ALL URANIUM FUEL CYCLE SOURCES	3
2.1 Dose Commitment	3
2.2 Direct Dose Determination	4
2.3 Bases	6
2.4 References.....	7

MONTICELLO NUCLEAR GENERATING PLANT		ODCM-06.01
TITLE:	DOSE FROM ALL URANIUM FUEL CYCLE SOURCES	Revision 4
		Page 2 of 7

1.0 RECORD OF REVISION

<u>Revision No.</u>	<u>Reason for Revision</u>
1	Moved previous ODCM-04.01 (INFORMATION RELATED TO 40CFR190 and 40CFR141) into this document, changed the title to "DOSE FROM ALL URANIUM FUEL CYCLE SOURCES" and incorporated Tech Specs section 3.8.D and 4.8.D into document.
2	Incorporated changes made during the conversion of the Current Technical Specifications to the Improved Technical Specifications. This includes dual step annotation.
3	Added requirements of 10CFR72.104 for doses from the plant ISFSI. Removed references to CTS.
4	Clarified reporting requirements to specify Calendar Year and include radiation levels/concentrations. Added Surveillance Requirement to determine direct radiation dose. Added Methodology to calculate direct radiation dose from TLD's. Added Reference to ANSI/HPS N13.37-2014.

MONTICELLO NUCLEAR GENERATING PLANT		ODCM-06.01
TITLE:	DOSE FROM ALL URANIUM FUEL CYCLE SOURCES	Revision 4
		Page 3 of 7

2.0 DOSE FROM ALL URANIUM FUEL CYCLE SOURCES

2.1 Dose Commitment

2.1.1 Controls

- A. In accordance with Tech Spec 5.5.3.j. and 10CFR72.104, the dose or dose commitment to any member of the public from all uranium fuel cycle sources **SHALL** be limited to less than or equal to 25 mrem to the total body or any organ, except for the thyroid, which **SHALL** be limited to less than or equal to 75 mrem over a period of 12 consecutive months.

2.1.2 Applicability

At all times

2.1.3 Action

- A. With the calculated dose from the release of radioactive materials in liquid or gaseous effluents exceeding twice any of the limits of Controls ODCM-02.01 Section 2.2.1, ODCM-03.01 Section 2.2.1 or ODCM-03.01 Section 2.3.1, prepare and submit within 30 days a special report to the Commission which:
1. Defines corrective actions and calculates the highest radiation exposure to any member of the general public from all uranium fuel cycle sources (including all effluent pathways and direct radiation) for the calendar year covered by the report.
 2. Describes the levels of radiation and concentrations of radioactive material involved, and the cause of the exposure levels or concentrations.
- B. Unless the above report shows that exposures are less than the 40CFR Part 190 standard, either apply to the Commission for a variance to continue releases which exceed the 40CFR Part 190 standard or reduce subsequent releases to permit the standard to be met.

2.1.4 Surveillance Requirements

- A. Cumulative dose contributions from all liquid and gaseous effluents **SHALL** be determined in accordance with surveillance requirements ODCM-02.01 Section 2.2.4, ODCM-03.01 Section 2.2.4, and ODCM-03.01 Section 2.3.4 and in accordance with the ODCM.

MONTICELLO NUCLEAR GENERATING PLANT		ODCM-06.01
TITLE:	DOSE FROM ALL URANIUM FUEL CYCLE SOURCES	Revision 4
		Page 4 of 7

- B. Cumulative dose contributions from direct radiation from the unit (including ISFSI, outside storage tanks, etc.) **SHALL** be determined in accordance with the methodology and parameters in the ODCM. This requirement is applicable only under conditions set forth in Action 2.1.3 of ODCM-06.01.

2.2 Direct Dose Determination

2.2.1 Direct radiation doses due to ISFSI, the reactor or steam turbine is determined using environmental TLD data. TLD data is received from the vendor as Normalized Quarterly Dose (M_Q) with Extraneous Dose (due to transport and storage) and normalization to 91-day Standard Quarters already addressed. Dose in the context of Section 2.2.1 refers to dose in milliroentgen (mR), properly referred to as exposure; these "dose" values in mR are converted to dose in mrem in Step 2.2.1.D. TLD data **SHALL** be analyzed to determine the Facility Related Dose using the following method (based on ANSI/HPS N13.37-2014).

- A. Baseline Background Dose and Minimum Detectible Dose are determined using a representative 5 to 10-year data set. This is not performed each year, but should be updated if the existing baseline values are no longer representative.
1. Select a 5 to 10-year span of TLD data. Ensure that the data has been normalized to 91-day quarters.
 2. Perform a QA review of the data looking for anomalous points that may be affected by:
 - a. Dosimeter failure
 - b. Deep snowpack
 - c. Construction activities
 - d. Exposure to other radiation sources
 - e. Plant effects
 3. Determine Baseline Quarterly Dose (B_Q) for each location as the average of quarterly data. Determine the Standard Deviation for Quarterly Data (S_Q) for each location.
 4. Determine Baseline Annual Dose (B_A) for each location as the average of annual data where Annual Normalized Dose (M_A) is the sum of the quarterly doses (M_Q) for a given year.
 5. Determine the Standard Deviation for Annual Data (S_A) for each location.

MONTICELLO NUCLEAR GENERATING PLANT		ODCM-06.01
TITLE:	DOSE FROM ALL URANIUM FUEL CYCLE SOURCES	Revision 4
		Page 5 of 7

6. Determine the 90th percentile value for S_Q and S_A ; these represent σ_Q and σ_A respectively.
7. Determine Minimum Detectable Dose for Quarterly (MDD_Q) and Annual (MDD_A) data:

$$MDD_Q = 3 * \sigma_Q$$

and

$$MDD_A = 3 * \sigma_A$$

Where:

σ_Q = 90th Percentile of Quarterly Standard Deviations
 σ_A = 90th Percentile of Annual Standard Deviations
 MDD_Q = Minimum Detectable Dose for Quarterly Measurements
 MDD_A = Minimum Detectable Dose for Annual Results

- B. Determine Facility Related Dose for Quarterly (F_Q) and Annual (F_A):

$$\text{If } M_Q > (B_Q + MDD_Q) \text{ then } F_Q = M_Q - B_Q$$

$$\text{If } M_Q \leq (B_Q + MDD_Q) \text{ then } F_Q = \text{Not Detected}$$

and

$$\text{If } M_A > (B_A + MDD_A) \text{ then } F_A = M_A - B_A$$

$$\text{If } M_A \leq (B_A + MDD_A) \text{ then } F_A = \text{Not Detected}$$

Where:

B_Q = Baseline Quarterly Dose
 B_A = Baseline Annual Dose
 M_Q = Normalized Quarterly Field Dose
 M_A = is the sum of the four Normalized Quarterly Field Doses
 F_Q = Quarterly Facility Related Dose
 F_A = Annual Facility Related Dose
 MDD_Q = Minimum Detectable Dose for Quarterly Measurements
 MDD_A = Minimum Detectable Dose for Annual Results

- C. A QA review should be performed on the results prior to reporting. Positive F_Q or F_A results should be investigated to ensure that the dose is due to facility operation prior to reporting. If non-facility related factors are determined to be the cause of the positive result, then appropriate corrections should be made prior to reporting the results.

MONTICELLO NUCLEAR GENERATING PLANT		ODCM-06.01
TITLE:	DOSE FROM ALL URANIUM FUEL CYCLE SOURCES	Revision 4
		Page 6 of 7

- D. Dose to a Member of the Public due to external radiation from operation of the facility may be calculated using the Facility Related dose values above by multiplying the dose value in milliroentgen (mR) by 0.95 mrem/mR. Dose may be extrapolated to the point of interest. Doses below 1 mrem should be reported as Not Detected because they imply a sensitivity that is inconsistent with the system's minimum differential dose.

2.3 Bases

2.3.1 Dose From All Uranium Fuel Cycle Sources

A. Dose Commitment

Control 2.1.1.A. is provided to meet the dose limitations of 40CFR190. The specification requires the preparation and submittal of a special report whenever the calculated doses from plant radioactive effluents exceed twice the design objective doses of Appendix I. Submittal of the report is considered a timely request and a variance is granted until Staff action on the request is complete. For sites containing up to 4 reactors, it is highly unlikely that the resultant dose to a real individual will exceed 40CFR190 if the individual reactors remain within the reporting requirement level. For the purpose of the special report it may be assumed that the dose commitment to the real individual from other uranium fuel cycle sources is negligible, with the exception that dose contributions from other nuclear fuel cycle facilities at the same site or within a radius of 5 miles must be considered.

Control 2.1.1.A. also contains the dose limitations of 10CFR72.104, Criteria for Radioactive Materials in Effluents and Direct Radiation From an ISFSI or MRS. The dose limitations for 10CFR72.104 are the same as those in 40CFR190. MNGP installed an ISFSI in 2008.

B. Direct Dose Determination

Step 2.2.1.D uses 0.95 mrem/mR to convert exposure (milliroentgen) to dose (millirem). This value is based on discussion in Introduction to Health Physics (Cember, 1983) that indicates "an exposure of 1R, which corresponds to 87.8 ergs per gram air, leads to an absorption of 95 ergs per gram muscle tissue." (pg. 142) 1 rad=100 ergs/g=1 rem, based on a quality factor of 1 for gamma radiation as defined in 10 CFR 20.1004.

MONTICELLO NUCLEAR GENERATING PLANT		ODCM-06.01
TITLE:	DOSE FROM ALL URANIUM FUEL CYCLE SOURCES	Revision 4
		Page 7 of 7

2.4 References

1. ANSI/HPS N13.37-2014, Environmental Dosimetry - Criteria for System Design and Implementation. Apr. 2014, Health Physics Society, McLean, VA.
2. Cember, H., Introduction to Health Physics, 2nd Ed. Pergamon Press, New York, NY, 1983.

MONTICELLO NUCLEAR GENERATING PLANT		ODCM-07.01
TITLE:	RADIOLOGICAL ENVIRONMENTAL MONITORING PROGRAM	Revision 27
		Page 1 of 28

Approval: 61600000080

OFFSITE DOSE CALCULATION MANUAL - TABLE OF CONTENTS

<u>SECTION</u>		<u>PAGE</u>
1.0	RECORD OF REVISION	2
2.0	RADIOLOGICAL ENVIRONMENTAL MONITORING PROGRAM.....	5
2.1	Monitoring Program.....	5
2.2	Land Use Census.....	7
2.3	Sampling	8
2.4	Interlaboratory Comparison Program	9
2.5	Bases	10
Figure 1	Radiation Environmental Monitoring Program Sampling Locations.....	11
Figure 2	4 - 5 Mile Ring and Special Interest TLD Locations	12
Figure 3	Site Boundary TLD Locations.....	13
Figure 4	Control Locations	14
Figure 5	ISFSI TLD Locations	15
Table 1	Monticello Nuclear Generating Plant Radiological Environmental Monitoring Program Sample Collection and Analysis.....	16
Table 2	Reporting Levels for Radioactivity Concentrations in Environmental Samples (Reporting Levels)	20
Table 3	Maximum Values for the Lower Limits of Detection (LLD) ^e	21
Table 4	Monticello Nuclear Generating Plant Radiological Environmental Monitoring Program Sampling Locations	23
Table 5	Non-REMP ISFSI Monitoring Locations ^a	28

MONTICELLO NUCLEAR GENERATING PLANT		ODCM-07.01
TITLE:	RADIOLOGICAL ENVIRONMENTAL MONITORING PROGRAM	Revision 27
		Page 2 of 28

1.0 RECORD OF REVISION

<u>Revision No.</u>	<u>Reason for Revision</u>
1	Moved previous ODCM-05.01 (RADIATION ENVIRONMENTAL MONITORING PROGRAM) into this document, changed the title to "RADIOLOGICAL ENVIRONMENTAL MONITORING PROGRAM" and incorporated Tech Spec section 4.16 "Radiation Environmental Monitoring Program" into this document.
2	Deleted incorrect reference in section 2.1.3.C.
3	Table 4, page 22, TLD M02S from Edgar Klucas Res., 1.1, 148, SE to Krone Residence, 0.5, 223, SW.
4	Table 4, page 20, TLD M-10 _c from Goenner Farm, 12.4, 322, NW to Campbell Farm, 10.6, 357, N.
5	Change in the Critical Garden location.
6	Updated sampling locations on Figures 1, 2 and 3.
7	Change in the Critical Garden location. Change 2.4.1.A. to require cross check program to be NIST traceable. NRC no longer approves cross check programs.
8	Incorporated changes made during the conversion of the Current Technical Specifications to the Improved Technical Specifications. This includes dual step annotation.
9	Updated all sample locations with GPS. Corrected inconsistencies between location on map and actual location with GPS.
10	Incorporated changes suggested by NRC IP 71122.01 sections 02.01.d and 02.02.e as requested in GAR 01055347. Removed references to Current Technical Specifications.
11	Corrected location of air sampler M-4 to correct sector.
12	Removed Wienand farm (M-24) from milk locations. The farm went out of business. Added new groundwater wells for groundwater characterization study. Updated Figure 3 for site boundary TLD locations. Added neutron and gamma TLDs for ISFSI monitoring.
13	Added sampling requirements and locations for vegetation sampling.

MONTICELLO NUCLEAR GENERATING PLANT		ODCM-07.01
TITLE:	RADIOLOGICAL ENVIRONMENTAL MONITORING PROGRAM	Revision 27
		Page 3 of 28

<u>Revision No.</u>	<u>Reason for Revision</u>
14	Removed Milk Sampling locations M-28 and M-10. Hoglund farm went out of business and the control milk location is no longer needed. Updated Figure 1, Radiological Environmental Monitoring Program Sampling Locations, to remove M-28. Added ground water monitoring wells MW-9, MW-10, and MW-11
15	Updated Table 4, Radiological Environmental Monitoring Program Sample Locations, added ground water monitoring wells MW 9B, MW12A,12B,13A,13B
16	Replaced M-10c (Campbell Farm) Drinking Water control sample location with M-43c (Imholte Farm). Changing the control drinking water location is due to the Campbell Farm no longer having an accessible sample location.
17	Updated Section 2.3.2, Site Groundwater Characterization Study, and Table 4, Radiological Environmental Monitoring Program Sample Locations, to add groundwater monitoring well MW-14. Deleted reference to M-10 on Figure 1 to reflect replacement of M-10c (Campbell Farm) Drinking Water control sample location with M-43c (Imholte Farm). Added Kitzman Farm (M-16) and Greniger Farm (M-17c). The Kitzman Farm was identified as milking goats for commercial use. The Greniger Farm was chosen as the control goat milk location.
18	Changed Critical Garden Location.
19	Changed location of TLD's M07A, M08A and M01B. M07A and M08A were moved due to rerouting County Road 75 and bridge removal. The TLD's were moved closer to the plant. M01B was moved due to the removal of the Sherco air monitoring station near Becker. A new GPS software has been obtained and sample location bearings and distances updated IAW new software.
20	Updated Table 4, Radiological Environmental Monitoring Program Sample Locations, added ground water monitoring wells, MW-15A and MW-15B.
21	Updated Table 4 and Figure 1 for new highest D/Q garden location as determined by the Annual Land Use Census.
22	Updated Table 4 and Figure 1 for new highest D/Q garden location as determined by the Annual Land Use Census. Removed goat milk locations from Table 4. Added superscript to Table 3 that had been previously removed.

MONTICELLO NUCLEAR GENERATING PLANT		ODCM-07.01
TITLE:	RADIOLOGICAL ENVIRONMENTAL MONITORING PROGRAM	Revision 27
		Page 4 of 28

<u>Revision No.</u>	<u>Reason for Revision</u>
23	Changed location of REMP drinking water sample from Wise residence to Hasbrouck residence to the Wise location no longer inhabited. Removed requirement to sample vegetation from the highest D/Q garden. The D/Q garden vegetation sample is not required by regulation. PCR 01427501.
24	Updated Table 4 and Figure 1 for new highest D/Q garden location as determined by the Annual Land Use Census. PCR 01452154.
25	Updated Site Groundwater Characterization Study Section. Updated all REMP Sample Location Maps to improve readability and update for construction changes. Added ISFSI TLD map and separated Outer Ring and Control maps. Updated ISFSI TLD requirements in Tables 1 & 4. Separated true REMP locations from those around the ISFSI. Added Table 5 for ISFSI Fence TLDs. Removed Groundwater Protection Program Well samples from Tables 1 & 4. These samples are not considered to be REMP samples and are controlled by FP-CY-GWPP-01. Re-characterized REMP well water samples as Ground Water in Tables 1 & 4. This essentially reverses a change from Rev. 10. Replaced footnote from Table 3 stating "Total for parent and daughter" for Ba-La-140 and Zr-Nb-95, with "Applies to parent and daughter individually." Updated Table 3 LLDs to match those given in NUREG-1302. Reorganized portions of Table 4 to incorporate neutron TLDs and improve readability. Deleted REMP Location M-27, associated control broad-leaf location, and associated note 'a' in Table 4. Various Editorial Corrections. Deleted Date column from the Record of Revision Section.
26	Corrected Figure 1 and Table 4 vegetation sample locations. Added M-42A as an alternate sample location to M-42 (QIM 501000006607). Added notes regarding variation in vegetation sampling locations due to availability. Revised drinking water sample requirement in Table 1 to make I-131 requirement consistent with NUREG-1302. Revised milk sample requirement in Table 1 to match NUREG-1302 requirement (with units converted from km to mi). Removed Invertebrate sampling requirement from Table 1 and associated locations in Table 4. Updated Collection Site names for several sample locations in Table 4. Updated TLD M-07A location in Figure 3 and Table 4, per Action Request 500000278342. Clarified equilibrium pair LLD requirements in Table 3 (Note 'b').
27	Changed Location of TLD M-15B from Red Oak Bird Farm to Barton Ave NW. Updated Figure 1 for new highest D/Q garden location as determined by Land Use Census.

MONTICELLO NUCLEAR GENERATING PLANT		ODCM-07.01
TITLE:	RADIOLOGICAL ENVIRONMENTAL MONITORING PROGRAM	Revision 27
		Page 5 of 28

2.0 RADIOLOGICAL ENVIRONMENTAL MONITORING PROGRAM

2.1 Monitoring Program

2.1.1 Controls

- A. In accordance with Tech Spec 5.5.1, the Radiological Environmental Monitoring Program (REMP) **SHALL** be conducted as specified in Table 1.
- B. Radioanalysis **SHALL** be conducted meeting the requirements of Table 3.

2.1.2 Applicability

At all times.

2.1.3 Action

- A. Whenever the Radiological Environmental Monitoring Program is not being conducted as specified in Table 1 the Annual Radiological Environmental Operating Report **SHALL** include a description of the reasons for not conducting the program as required and plans for preventing a recurrence.
- B. Deviations are permitted from the required sampling schedule if samples are unobtainable due to hazardous conditions, seasonable unavailability, or to malfunctions of automatic sampling equipment. If the latter occurs, every effort **SHALL** be made to complete corrective action prior to the end of the next sampling period.
- C. With the level of radioactivity in an environmental sampling medium exceeding the reporting levels of Table 2 when averaged over any calendar quarter, submit a special report to the Commission within 30 days from the end of the affected calendar quarter. When more than one of the radionuclides in Table 2 are detected in the sampling medium, this report **SHALL** be submitted if:

$$\frac{\text{concentration (1)}}{\text{limit level (1)}} + \frac{\text{concentration (2)}}{\text{limit level (2)}} + \dots > 1.0$$

MONTICELLO NUCLEAR GENERATING PLANT		ODCM-07.01
TITLE:	RADIOLOGICAL ENVIRONMENTAL MONITORING PROGRAM	Revision 27
		Page 6 of 28

When radionuclides other than those in Table 2 are detected and are the result of plant effluents, this report **SHALL** be submitted if the potential annual dose to an individual is equal to or greater than the calendar year limits of ODCM-02.01 (LIQUID EFFLUENTS) Control 1.2.1.A, ODC-M-03.01 (GASEOUS EFFLUENTS) Control 1.2.1.A, or ODCM-03.01 Control 1.3.1.A. This report is not required if the measured level of radioactivity was not the result of plant effluents; however, in such an event, the condition **SHALL** be reported and described in the Annual Radiological Environmental Operating Report.

- D. Although deviations from the sampling schedule are permitted under Paragraph B. above, whenever milk or broad leaf vegetation samples can no longer be obtained from the designated sample locations required by Table 1, the Annual Radiological Environmental Operating Report **SHALL** explain why the samples can no longer be obtained and identify the new locations which have been or will be added to and deleted from the monitoring program.

2.1.4 Surveillance Requirements

The radiological environmental monitoring samples **SHALL** be collected pursuant to Table 1 from the specific locations in Table 4 and **SHALL** be analyzed pursuant to the requirements of Table 1 and the detection capabilities required by Table 3.

MONTICELLO NUCLEAR GENERATING PLANT		ODCM-07.01
TITLE:	RADIOLOGICAL ENVIRONMENTAL MONITORING PROGRAM	Revision 27
		Page 7 of 28

2.2 Land Use Census

2.2.1 Controls

A Land Use Census **SHALL** be conducted and **SHALL** identify:

- A. The location of the nearest milk animal, the nearest residence, and the nearest garden of greater than 500 ft² producing broad leaf vegetables in each of the 16 meteorological sectors within a distance of 5 miles.
- B. The location of ALL milk animals and ALL 500 ft² or greater gardens producing broad leaf vegetables in each of the meteorological sectors within a distance of 3 miles.

2.2.2 Applicability

At all times.

2.2.3 Action

- A. With a Land Use Census identifying a location which yields a calculated dose or dose commitment (via the same exposure pathway) 20 percent greater than at a location from which samples are currently being obtained in accordance with Controls 2.1.1.A, the Annual Radioactive Effluent Release Report for this period **SHALL** identify the new location. The new location **SHALL** be added to the Radiological Environmental Monitoring Program within 30 days. The sampling location, excluding the control station location, having the lowest calculated dose or dose commitment (via the same exposure pathway) may be deleted from this monitoring program after October 31 of the year in which this Land Use Census was conducted.

2.2.4 Surveillance Requirements

- A. The Land Use Census **SHALL** be conducted at least once per year between the dates of May 1 and October 31 by door to door survey, aerial survey, or by consulting local agricultural associations.

MONTICELLO NUCLEAR GENERATING PLANT		ODCM-07.01
TITLE:	RADIOLOGICAL ENVIRONMENTAL MONITORING PROGRAM	Revision 27
		Page 8 of 28

2.3 Sampling

Table 1 and Figure 1 specify the current sampling locations for the radiological environmental monitoring program. These sampling locations are based on the latest land use census and the Site Groundwater Characterization Study.

2.3.1 Land Use Census

- A. If it is learned from an annual census that milk animals or gardens are present at the location which yields a calculated thyroid dose greater than those locations previously sampled, the new milk animal or garden locations resulting in the higher calculated doses **SHALL** be added to the surveillance program as soon as practicable. Sample locations (except the control) having lower calculated doses may be dropped from the program at the end of the grazing or growing season (October 31) to keep the total number of sample locations constant.
- B. If the plant begins routine discharges of liquid radioactive effluent into the Mississippi River, a land use survey **SHALL** be conducted to determine whether any crops are irrigated with water taken from the Mississippi River between the plant discharge canal and a point 5 miles downstream. If edible crops are being irrigated from Mississippi River water, appropriate samples **SHALL** be collected and analyzed per Table 1.

2.3.2 Site Groundwater Characterization Study

Review of the available groundwater piezometric data shows that shallow groundwater generally flows toward the Mississippi River, and possible upward flow gradients are present from the deep groundwater aquifer toward the shallow groundwater at the MNGP site. Therefore, any tritium releases into the subsoil environment should move towards the Mississippi River in the shallow groundwater without potentially impacting the deeper groundwater in rock. The average velocity of shallow groundwater flow is estimated at approximately 3 feet per day.

A system of sixteen additional shallow groundwater monitoring wells was installed, and monitoring is controlled by the Fleet Groundwater Protection Program Procedure (FP-CY-GWPP-01), based on guidance from NEI 07-07. This monitoring system will effectively confirm the shallow groundwater flow directions during the year and will help to demonstrate that the potential impact of any releases within the plant area on groundwater inland of the plant is negligible.

MONTICELLO NUCLEAR GENERATING PLANT		ODCM-07.01
TITLE:	RADIOLOGICAL ENVIRONMENTAL MONITORING PROGRAM	Revision 27
		Page 9 of 28

2.4 Interlaboratory Comparison Program

2.4.1 Controls

- A. Analyses **SHALL** be performed on radioactive materials supplied as part of a NIST traceable cross-check program. This program involves the analyses of samples provided by a control laboratory and comparison of results with those of the control laboratory as well as with other laboratories which receive portions of the same samples. Media used in this program (air, milk, water, etc.) **SHALL** be limited to those found in the Radiological Environmental Monitoring Program.

2.4.2 Applicability

At all times.

2.4.3 Action

- A. When required analyses are not performed, corrective action **SHALL** be reported in the Annual Radiological Environmental Operating Report.

2.4.4 Surveillance Requirements

- A. The summary results of analyses performed as part of the above required program **SHALL** be included in the Annual Radiological Environmental Operating Report.

MONTICELLO NUCLEAR GENERATING PLANT		ODCM-07.01
TITLE:	RADIOLOGICAL ENVIRONMENTAL MONITORING PROGRAM	Revision 27
		Page 10 of 28

2.5 Bases

2.5.1 Monitoring Program

Control 2.1.1 provides measurements of radiation and radioactive materials in those exposure pathways and for those radionuclides which lead to the highest potential radiation exposures of individuals resulting from the plant operation. This program thereby supplements the radiological effluent monitoring by verifying that the measurable concentrations of radioactive materials and levels of radiation are not higher than expected on the basis of the effluent measurements and modeling of the environmental exposure pathways. After a specific program has been in effect for at least 3 years of operation, program changes may be initiated based on this experience.

The detection capabilities required by Table 3 are state-of-the art for routine environmental measurements in industrial laboratories. The LLDs for drinking water meet the requirement of 40CFR Part 141.

2.5.2 Land Use Census

Control 2.2.1 is provided to ensure that changes in the use of off-site areas are identified and that modifications to the monitoring program are made if required by the results of this census. The best survey information from door-to-door, aerial or consulting with local agricultural associations **SHALL** be used. This census satisfies the requirements of Section IV.B.3 of Appendix I to 10CFR Part 50. Restricting the census to gardens of greater than 500 square feet provides assurance that significant exposure pathways via broad leaf vegetables will be identified and monitored since a garden of this size is the minimum required to produce the quantity (26 kg/year) of broad leaf vegetables assumed in Regulatory Guide 1.109 for consumption by a child. To determine this minimum garden size, the following assumptions were used: 1) that 20% of the garden was used for growing broad leaf vegetables (i.e., similar to lettuce and cabbage), and 2) a vegetation yield of 2 kg/square meter.

2.5.3 Sampling

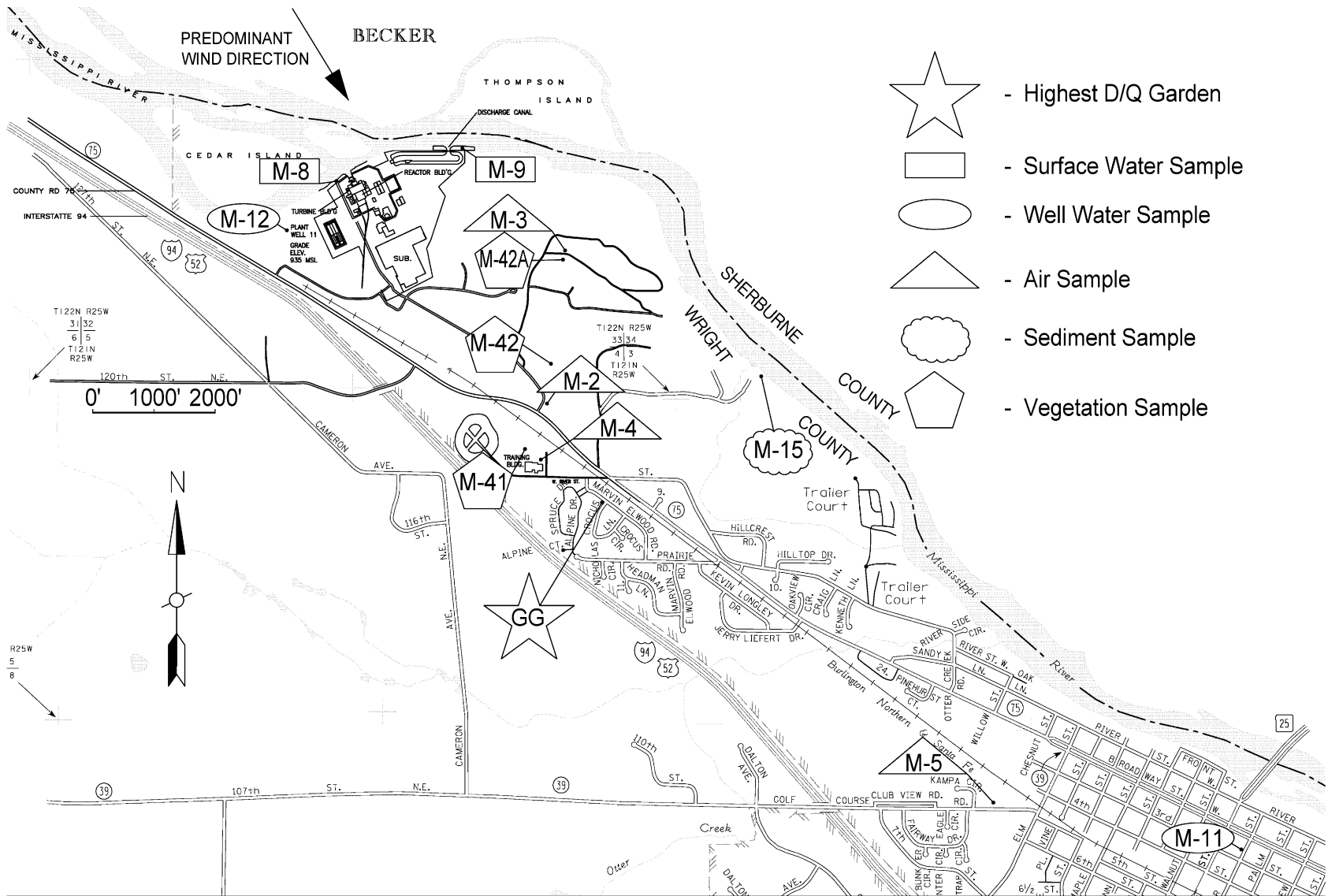
Section 2.3.1.B. is worded to conform to LAR-39 and its associated NRC Safety Evaluation (SER).

2.5.4 Interlaboratory Comparison Program

The requirement for participation in an interlaboratory comparison program is provided to ensure that independent checks on the precision and accuracy of the measurements of radioactive material in environmental sample matrices are performed as part of a quality assurance program for environmental monitoring in order to demonstrate that the results are reasonably valid.

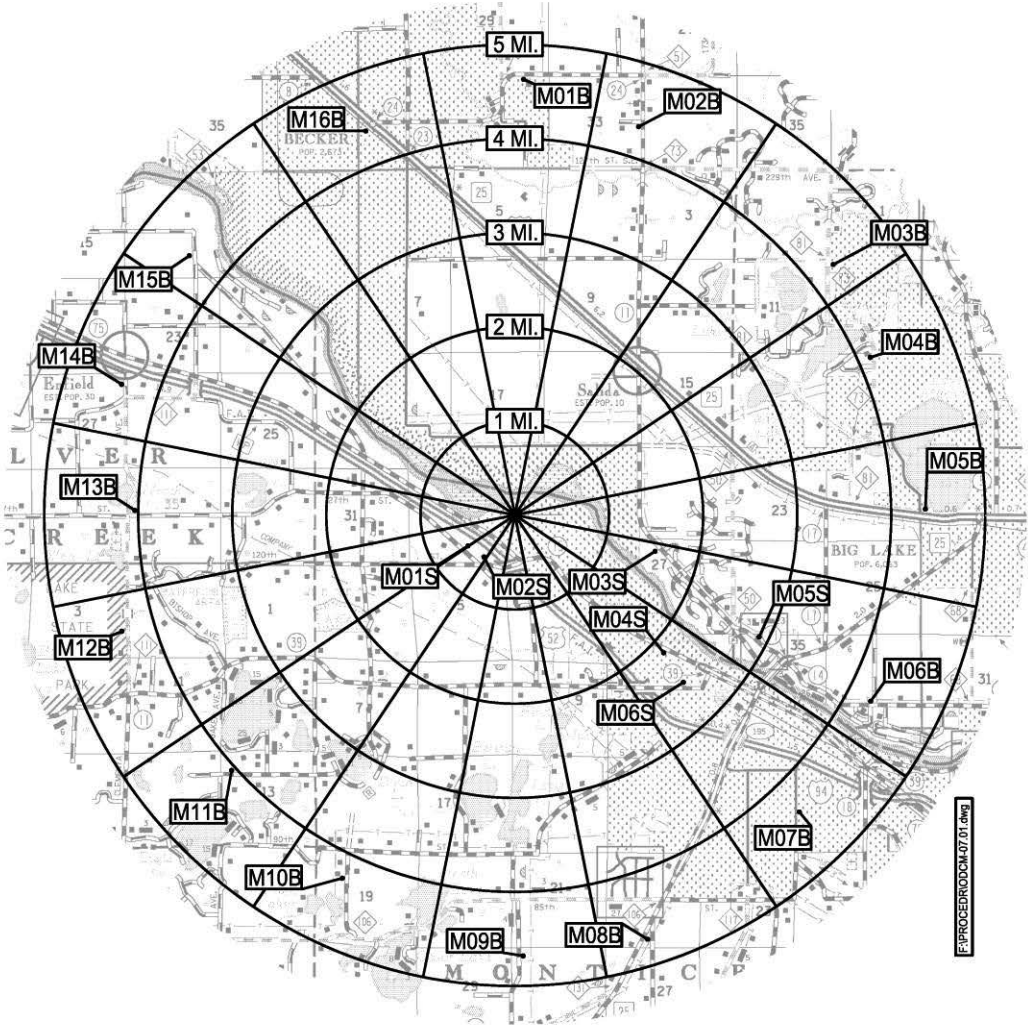
MONTICELLO NUCLEAR GENERATING PLANT		ODCM-07.01
TITLE:	RADIOLOGICAL ENVIRONMENTAL MONITORING PROGRAM	Revision 27
		Page 11 of 28

Figure 1 Radiation Environmental Monitoring Program Sampling Locations



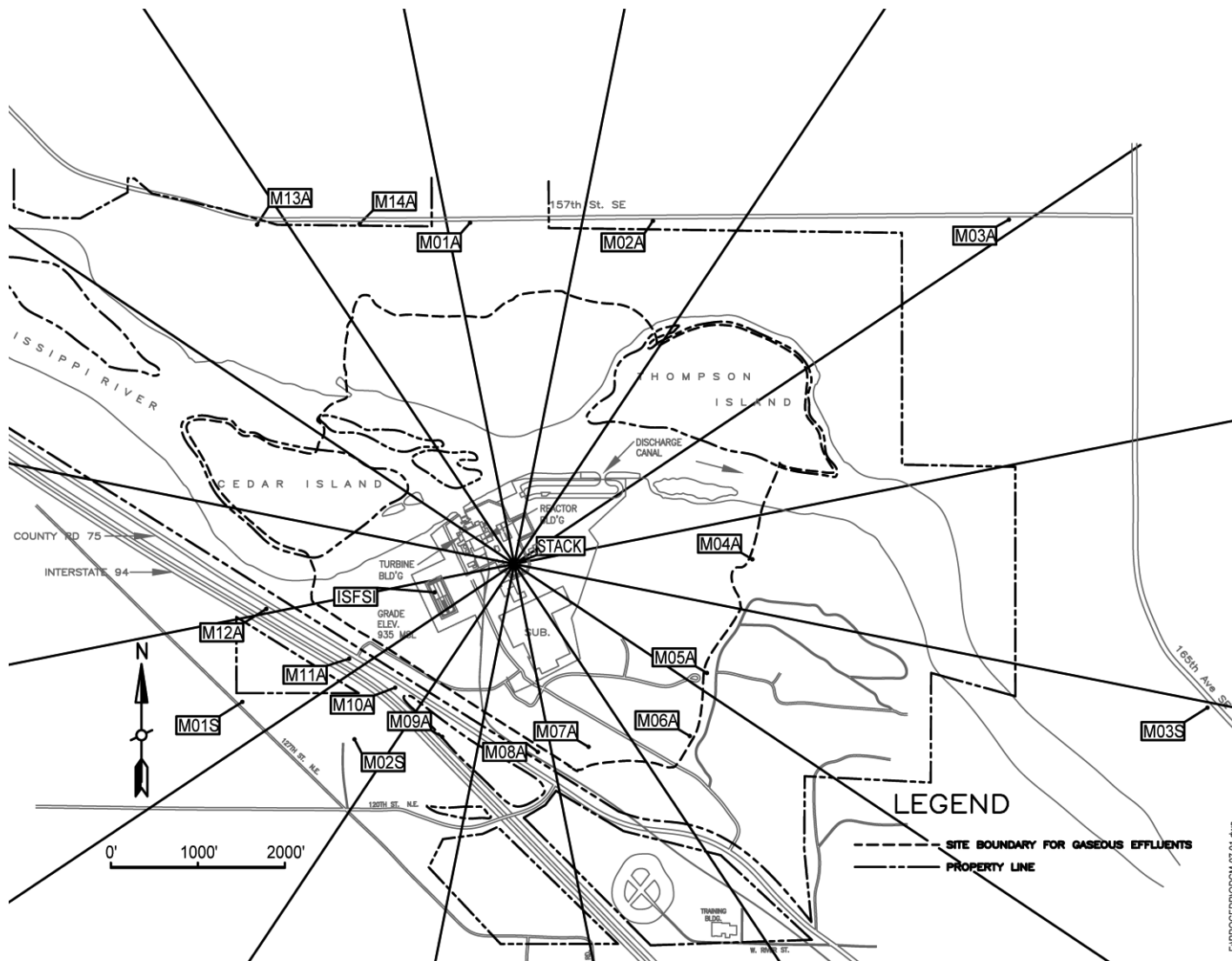
MONTICELLO NUCLEAR GENERATING PLANT		ODCM-07.01
TITLE:	RADIOLOGICAL ENVIRONMENTAL MONITORING PROGRAM	Revision 27
		Page 12 of 28

Figure 2 4 - 5 Mile Ring and Special Interest TLD Locations



MONTICELLO NUCLEAR GENERATING PLANT		ODCM-07.01
TITLE:	RADIOLOGICAL ENVIRONMENTAL MONITORING PROGRAM	Revision 27
		Page 13 of 28

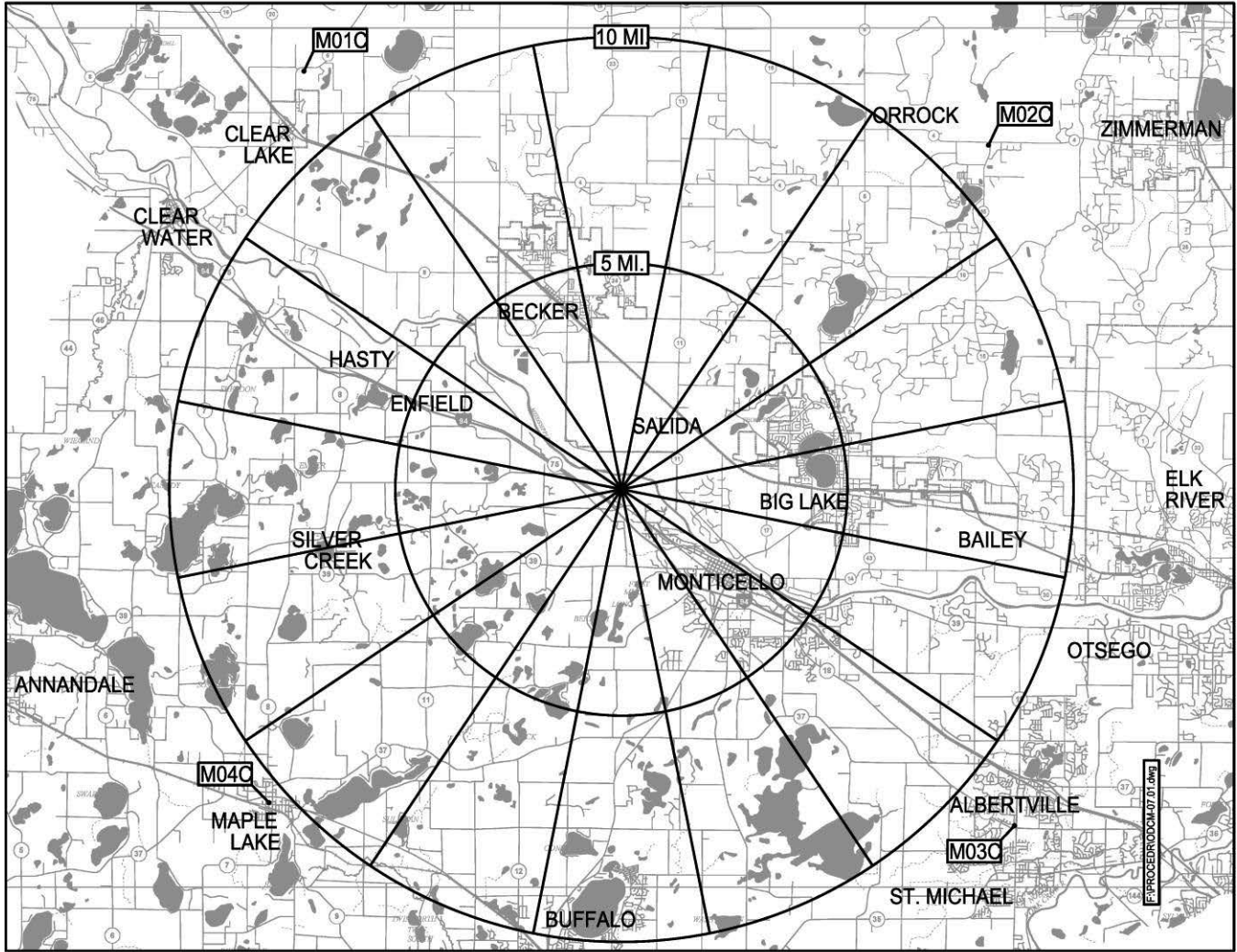
Figure 3 Site Boundary TLD Locations



F:\PROCED\ODCM\07.01.dwg

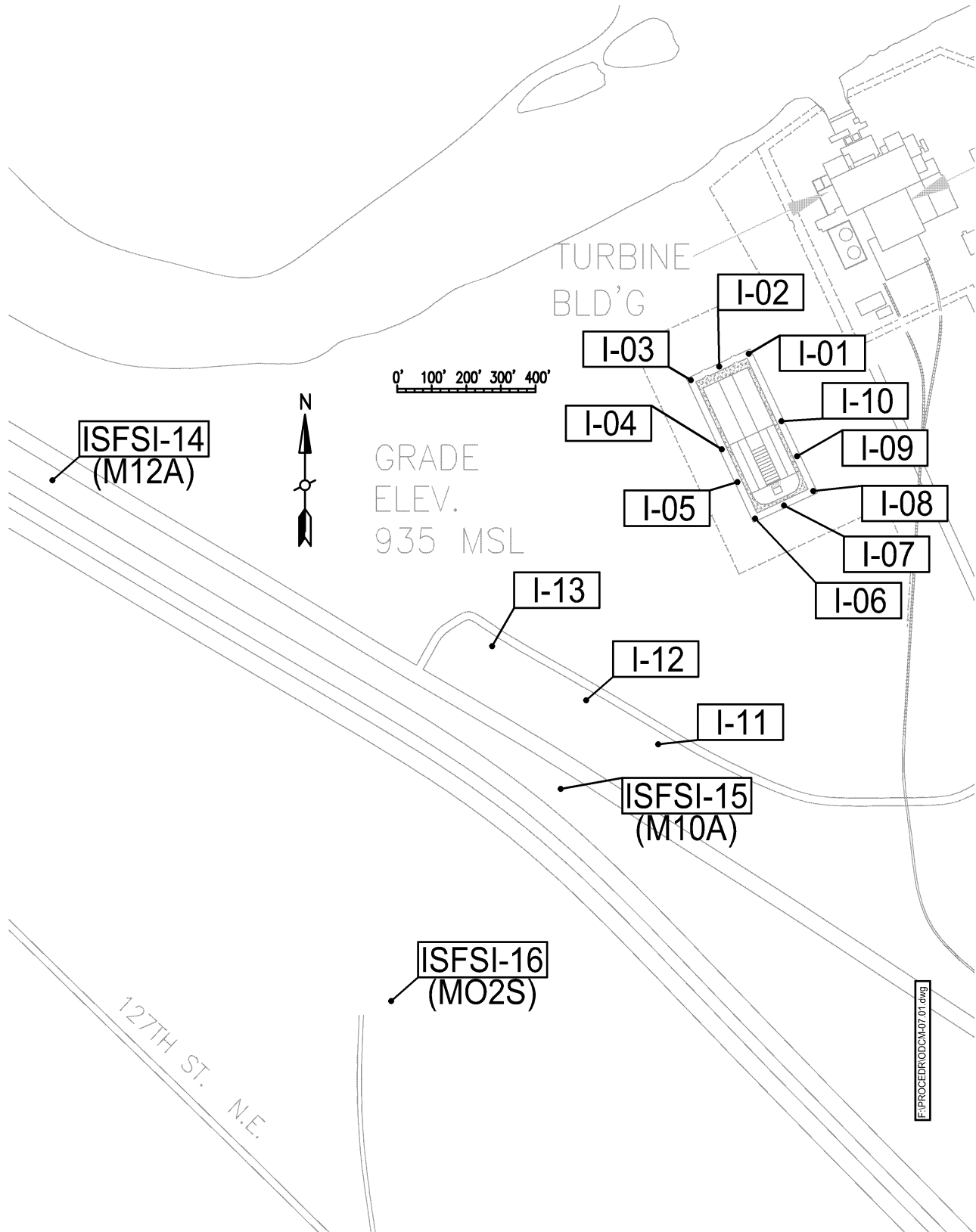
MONTICELLO NUCLEAR GENERATING PLANT		ODCM-07.01
TITLE:	RADIOLOGICAL ENVIRONMENTAL MONITORING PROGRAM	Revision 27
		Page 14 of 28

Figure 4 Control Locations



MONTICELLO NUCLEAR GENERATING PLANT		ODCM-07.01
TITLE:	RADIOLOGICAL ENVIRONMENTAL MONITORING PROGRAM	Revision 27
		Page 15 of 28

Figure 5 ISFSI TLD Locations



MONTICELLO NUCLEAR GENERATING PLANT		ODCM-07.01
TITLE:	RADIOLOGICAL ENVIRONMENTAL MONITORING PROGRAM	Revision 27
		Page 16 of 28

Table 1 Monticello Nuclear Generating Plant Radiological Environmental Monitoring Program Sample Collection and Analysis

Exposure Pathway and/or Sample	Number of Samples and Sample Locations**	Sampling and Collection Frequency	Type and Frequency of Analysis
1. <u>Airborne</u> Radioiodine & Particulates	Samples from 5 locations: 3 samples from offsite locations (in different sectors) of the highest calculated annual average ground level D/Q, 1 sample from the vicinity of a community having the highest calculated annual average ground-level D/Q, and 1 sample from a control location specified in Table 4.	Continuous Sampler operation with sample collection weekly.	Radioiodine analysis Weekly for I-131 Particulate: Gross beta activity on each filter weekly*. Analysis SHALL be performed more than 24 hours following filter change. Perform gamma isotopic analysis on composite (by location) sample quarterly.

* If gross beta activity in any indication sample exceeds 10 times the yearly average of the control sample, a gamma isotopic analysis is required.

** Sample locations are further described in Table 4.

MONTICELLO NUCLEAR GENERATING PLANT		ODCM-07.01
TITLE:	RADIOLOGICAL ENVIRONMENTAL MONITORING PROGRAM	Revision 27
		Page 17 of 28

Table 1 Monticello Nuclear Generating Plant Radiological Environmental Monitoring Program Sample Collection and Analysis (Cont'd)

Exposure Pathway and/or Sample	Number of Samples and Sample Locations**	Sampling and Collection Frequency	Type and Frequency of Analysis
2. <u>Direct Radiation</u>	<p>40 TLD stations established with duplicate dosimeters placed at the following locations:****</p> <ol style="list-style-type: none"> 1. Using the 16 meteorological sectors as guidelines, an inner ring of stations in the general area of the site boundary is established and an outer ring of stations at 4 to 5 mile distance from the plant site is established. Because of inaccessibility, two sectors in the inner ring are not covered. 2. Ten dosimeters are established at special interest areas and four control stations. 3. Three neutron and gamma dosimeter sets are located along the OCA fence. Additionally, three neutron dosimeters are stationed with Special Interest and Inner Ring TLDs and four neutron control dosimeters are stationed with the REMP control TLDs. 	Quarterly	Gamma/Neutron Dose quarterly

** Sample locations are further described in Table 4.

**** Three control TLD locations have only one dosimeter.

MONTICELLO NUCLEAR GENERATING PLANT		ODCM-07.01
TITLE:	RADIOLOGICAL ENVIRONMENTAL MONITORING PROGRAM	Revision 27
		Page 18 of 28

Table 1 Monticello Nuclear Generating Plant Radiological Environmental Monitoring Program Sample Collection and Analysis (Cont'd)

Exposure Pathway and/or Sample	Number of Samples and Sample Locations**	Sampling and Collection Frequency	Type and Frequency of Analysis
3. <u>Waterborne</u>			
a. Surface	Upstream & downstream locations.	Monthly composite of weekly samples (water & ice conditions permitting)	Gamma Isotopic analysis of each monthly composite Tritium analysis of quarterly composites of monthly composites
b. Ground	Three samples from wells within 5 miles of the plant site and one sample from a well greater than 10 miles from the plant site.	Quarterly	Gamma Isotopic and tritium analyses of each sample
c. Drinking	One sample from the City of Minneapolis water supply.	Composite of 2 weekly samples when I-131 analysis is performed; monthly composite of weekly samples otherwise.	I-131 analysis on each bi-weekly composite when the dose calculated for the consumption of the water is greater than 1 mrem per year#. Composite for gross beta and gamma isotopic analyses monthly. Composite for tritium analysis quarterly
d. Sediment from Shoreline	One sample upstream of plant, one sample downstream of plant, and one sample from shoreline of recreational area.	Semiannually	Gamma isotopic analysis of each sample

** Sample locations are further described in Table 4.

The dose shall be calculated for the maximum organ and age group, using the methodology and parameters in the ODCM.

MONTICELLO NUCLEAR GENERATING PLANT		ODCM-07.01
TITLE:	RADIOLOGICAL ENVIRONMENTAL MONITORING PROGRAM	Revision 27
		Page 19 of 28

Table 1 Monticello Nuclear Generating Plant Radiological Environmental Monitoring Program Sample Collection and Analysis (Cont'd)

Exposure Pathway and/or Sample	Number of Samples and Sample Locations**	Sampling and Collection Frequency	Type and Frequency of Analysis
4. <u>Ingestion</u>			
a. Milk	Samples from milking animals in three locations within 3 mi distance having the highest dose potential. If there are none, then one sample from milking animals in each of three areas between 3 to 5 mi distant where doses are calculated to be greater than 1 mrem per year.# One sample from milking animals at a control location, 10 to 20 mi distant and in the least prevalent wind direction.	Biweekly when animals are on pasture; monthly at other times.	Gamma Isotopic and I-131 analysis of each sample.
b. Vegetation	Samples of vegetation grown nearest each of two different offsite locations of highest predicted annual average D/Q if milk sampling is not performed, and one sample from 10-20 miles in the least prevalent wind direction.	Monthly during growing season	Gamma Isotopic and I-131 analysis of each sample.
c. Fish	One sample of one game specie of fish located upstream and downstream of the plant site.	Samples collected semi-annually	Gamma isotopic analysis on each sample (edible portion only on fish).
d. Food Products	One sample of corn and potatoes from any area that is irrigated by water in which liquid radioactive effluent has been discharged.***	At time of harvest	Gamma isotopic analysis of edible portion of each sample

** Sample locations are further described in Table 4.

*** As determined by methods outlined in section 2.3.

The dose shall be calculated for the maximum organ and age group, using the methodology and parameters in the ODCM.

MONTICELLO NUCLEAR GENERATING PLANT		ODCM-07.01
TITLE:	RADIOLOGICAL ENVIRONMENTAL MONITORING PROGRAM	Revision 27
		Page 20 of 28

Table 2 Reporting Levels for Radioactivity Concentrations in Environmental Samples (Reporting Levels)

Analysis	Water (pCi/l)	Airborne Particulate or Gas (pCi/m ³)	Fish (pCi/kg, wet)	Milk (pCi/l)	Vegetables (pCi/kg, wet)
H-3	20,000 ^a				
Mn-54	1,000		30,000		
Fe-59	400		10,000		
Co-58	1,000		30,000		
Co-60	300		10,000		
Zn-65	300		20,000		
Zr-Nb-95	400 ^b				
I-131	2 ^c	0.9		3	100
Cs-134	30	10	1,000	60	1,000
Cs-137	50	20	2,000	70	2,000
Ba-La-140	200 ^b			300 ^b	

a - For drinking water samples. This is a 40 CFR Part 141 value. If no drinking water pathway exists, a value of 30,000 pCi/l may be used.

b - Total for parent and daughter

c - If no drinking water pathways exist, a value of 20 pCi/l may be used.

MONTICELLO NUCLEAR GENERATING PLANT		ODCM-07.01
TITLE:	RADIOLOGICAL ENVIRONMENTAL MONITORING PROGRAM	Revision 27
		Page 21 of 28

Table 3 Maximum Values for the Lower Limits of Detection (LLD)^d

Analysis	Water (pCi/l)	Airborne Particulate or Gas (pCi/m ³)	Fish (pCi/kg, wet)	Milk (pCi/l)	Food Products (pCi/kg, wet)	Sediment (pCi/kg, dry)
Gross beta	4	0.01				
³ H	2000*					
⁵⁴ Mn	15		130			
⁵⁹ Fe	30		260			
^{58, 60} Co	15		130			
⁶⁵ Zn	30		260			
⁹⁵ Zr-Nb	15 ^b					
¹³¹ I ^c	1**	0.07		1	60	
¹³⁴ Cs	15	0.05	130	15	60	150
¹³⁷ Cs	18	0.06	150	18	80	180
¹⁴⁰ Ba-La	15 ^b			15 ^b		

* If no drinking water pathway exists, a value of 3000 pCi/l may be used.

** If no drinking water pathway exists, a value of 15 pCi/l may be used.

MONTICELLO NUCLEAR GENERATING PLANT		ODCM-07.01
TITLE:	RADIOLOGICAL ENVIRONMENTAL MONITORING PROGRAM	Revision 27
		Page 22 of 28

Table 3 Maximum Values for the Lower Limits of Detection (LLD) (Cont'd)

TABLE NOTATION

- a - The LLD is the smallest concentration of radioactive material in a sample that will be detected with 95% probability with 5% probability of falsely concluding that a blank observation represents a “real” signal.

For a particular measurement system (which may include radiochemical separation):

$$LLD = \frac{4.66 s_b}{E \cdot V \cdot 2.22 \cdot Y \cdot \exp(-\lambda \Delta t)}$$

Where:

- LLD is the apriori lower limit of detection as defined above (as picocurie per unit mass or volume),
- sb is the standard deviation of the background counting rate or of the counting rate of a blank sample as appropriate (as counts per minute). Typical values of E, V, Y and Δt shall be used in the calculations.
- E is the counting efficiency (as counts per transformation)
- V is the sample size (in units of mass or volume)
- 2.22 is the number of transformations per minute per picocurie
- Y is the fraction radiochemical yield (when applicable)
- λ is the radioactive decay constant for the particular radionuclide
- Δ t is the elapsed time between sample collection (or end the sample collection period) and time of counting

- b - The specified LLD applies to the daughter nuclide of an equilibrium mixture of the parent and daughter nuclides. Per the Radiological Assessment Branch Technical Position, the following values may be used for individual nuclide LLDs when equilibrium conditions are not met: 30 pCi/l for Zr-95, 15 pCi/l for Nb-95, 60 pCi/l for Ba-140, and 15 pCi/l for La-140.
- c - These LLDs apply only where “I-131 analysis” is specified.
- d - Where “Gamma Isotopic Analysis” is specified, the LLD specifications applies to the following radionuclides: Mn-54, Fe-59, Co-58, Co-60, Zn-65, Zr-Nb-95, Cs-134, Cs-137 and Ba-La-140. Other peaks which are measurable and identifiable, together with the above nuclides shall be identified and reported.

MONTICELLO NUCLEAR GENERATING PLANT		ODCM-07.01
TITLE:	RADIOLOGICAL ENVIRONMENTAL MONITORING PROGRAM	Revision 27
		Page 23 of 28

Table 4 Monticello Nuclear Generating Plant Radiological Environmental Monitoring Program Sampling Locations

Type of Sample	Code	Collection Site	Location		
			Distance Miles	Compass Heading	Sector
River water	M-8c	Upstream of plant	w/in 1000 ft upstream of plant intake		
River water	M-9	Downstream of plant	w/in 1000 ft downstream of plant discharge		
Drinking water	M-14	City of Minneapolis	37.0	132	SE
Ground water	M-43c	Imholte Farm	12.3	313	NW
Ground water	M-11	City of Monticello	3.3	127	SE
Ground water	M-12	Plant Well No. 11	0.26	252	WSW
Ground water	M-55	Hasbrouck Residence	1.60	255	WSW
Sediment-River	M-8c	Upstream of plant	w/in 1000 ft upstream of plant intake		
Sediment-River	M-9	Downstream of plant	w/in 1000 ft downstream of plant discharge		
Sediment-Shoreline	M-15	Montissippi Park	1.27	114	ESE
Fish	M-8c	Upstream of plant	w/in 1000 ft upstream of plant intake		
Fish	M-9	Downstream of plant	w/in 1000 ft downstream of plant discharge		
Vegetation*	M-41	Training Center	Near 0.8	151	SSE
Vegetation*	M-42**	Biology Station Road	Near 0.7	136	SE
	M-42A**		Near 0.7	108	ESE
Vegetation*	M-43c	Imholte Farm	Near 12.3	313	NW
Cultivated crops (corn)*** (potatoes)***					
* Actual location for vegetation sampling may vary depending on availability of broad leaf plant species. The nearest available broad leaf specimens to the location should be used.					
** M-42 is the preferred sampling location; however, M-42A may be used in place of M-42, if samples are not available at the preferred location.					
*** Collected only if plant discharges radioactive effluent into the river, then only from river irrigated fields. (See Section 2.1)					

MONTICELLO NUCLEAR GENERATING PLANT		ODCM-07.01
TITLE:	RADIOLOGICAL ENVIRONMENTAL MONITORING PROGRAM	Revision 27
		Page 24 of 28

Table 4 Monticello Nuclear Generating Plant Radiological Environmental Monitoring Program Sampling Locations (Cont'd)

Type of Sample	Code	Collection Site	Location		
			Distance Miles	Compass Heading	Sector
Particulates and Radio-iodine					
(air)	M-1c	Air Station M-1	11.0	307	NW
(air)	M-2	Air Station M-2	0.8	140	SE
(air)	M-3	Air Station M-3	0.6	104	ESE
(air)	M-4	Air Station M-4	0.8	147	SSE
(air)	M-5	Air Station M-5	2.6	134	SE
Direct Radiation Inner Ring - (general area of the site boundary)					
(TLD)	M01A	Sherburne Ave. So.	0.75	353	N
(TLD)	M02A	Sherburne Ave. So.	0.79	23	NNE
(TLD)	M03A	Sherburne Ave. So.	1.29	56	NE
(TLD)	M04A	Biology Station Rd.	0.5	92	E
(TLD)	M05A	Biology Station Rd.	0.48	122	ESE
(TLD)	M06A	Biology Station Rd.	0.54	138	SE
(TLD)	M07A	Parking Lot H	0.43	157	SSE
(TLD)	M08A	Parking Lot F	0.45	175	S
(TLD)	M09A	County Road 75	0.38	206	SSW
(TLD)	M10A & ISFSI-15 (neutron)	County Road 75	0.38	224	SW
(TLD)	M11A	County Road 75	0.4	237	WSW
(TLD)	M12A & ISFSI-14 (neutron)	County Road 75	0.5	262	W
(TLD)	M13A	North Boundary Rd.	0.89	322	NW
(TLD)	M14A	North Boundary Rd.	0.78	335	NNW

MONTICELLO NUCLEAR GENERATING PLANT		ODCM-07.01
TITLE:	RADIOLOGICAL ENVIRONMENTAL MONITORING PROGRAM	Revision 27
		Page 25 of 28

Table 4 Monticello Nuclear Generating Plant Radiological Environmental Monitoring Program Sampling Locations (Cont'd)

Type of Sample	Code	Collection Site	Location		
			Distance Miles	Compass Heading	Sector
Direct Radiation Outer Ring - (about 4 to 5 miles distant from the plant)					
(TLD)	M01B	117th Street	4.65	1	N
(TLD)	M02B	County Road 11	4.4	18	NNE
(TLD)	M03B	County Rd. 73 & 81	4.3	51	NE
(TLD)	M04B	County Rd. 73 (196th Street)	4.2	67	ENE
(TLD)	M05B	City of Big Lake	4.3	89	E
(TLD)	M06B	County Rd 14 & 196th Street	4.3	117	ESE
(TLD)	M07B	Monticello Industrial Dr.	4.3	136	SE
(TLD)	M08B	Residence Hwy 25 & Davidson Ave	4.6	162	SSE
(TLD)	M09B	Weinand Farm	4.7	178	S
(TLD)	M10B	Reisewitz Farm - Acacia Ave	4.2	204	SSW
(TLD)	M11B	Vanlith Farm - 97th Ave	4.0	228	SW
(TLD)	M12B	Lake Maria St. Park	4.2	254	WSW
(TLD)	M13B	Bridgewater Sta.	4.1	270	W
(TLD)	M14B	Anderson Res. - Cty Rd 111	4.3	289	WNW
(TLD)	M15B	Barton Ave NW	4.3	309	NW
(TLD)	M16B	University Ave and Hancock St, Becker	4.4	341	NNW

MONTICELLO NUCLEAR GENERATING PLANT		ODCM-07.01
TITLE:	RADIOLOGICAL ENVIRONMENTAL MONITORING PROGRAM	Revision 27
		Page 26 of 28

Table 4 Monticello Nuclear Generating Plant Radiological Environmental Monitoring Program Sampling Locations (Cont'd)

Type of Sample	Code	Collection Site	Location		
			Distance Miles	Compass Heading	Sector
Direct Radiation - (special interest locations)					
(TLD)	M01S	127th St. NE	0.66	241	WSW
(TLD)	M02S & ISFSI-16 (neutron)	Krone Residence	0.5	220	SW
(TLD)	M03S	Big Oaks Park	1.53	103	ESE
(TLD)	M04S	Pinewood School	2.3	131	SE
(TLD)	M05S	20500 Co. Rd 11, Big Lake	3.0	118	ESE
(TLD)	M06S	Monticello Public Works	2.6	134	SE
(TLD)	I-11 & ISFSI-11 (neutron)	OCA Fence South, on exit road	0.31	222	SW
(TLD)	I-12 & ISFSI-12 (neutron)	OCA Fence Middle, on exit road	0.32	230	SW
(TLD)	I-13 & ISFSI-13 (neutron)	OCA Fence North, on exit road	0.34	240	WSW
Direct Radiation - (10 to 12 miles distant from plant)					
(TLD)	M01C & Neutron Control D	Kirchenbauer Farm	11.5	323	NW
(TLD)	M02C & Neutron Control C	Cty Rd 4 & 15	11.2	47	NE
(TLD)	M03C & Neutron Control A	Cty Rd 19 & Jason Ave	11.6	130	SE
(TLD)	M04C & Neutron Control B	Maple Lake Water Tower	10.3	226	SW

MONTICELLO NUCLEAR GENERATING PLANT		ODCM-07.01
TITLE:	RADIOLOGICAL ENVIRONMENTAL MONITORING PROGRAM	Revision 27
		Page 27 of 28

Table 4 Monticello Nuclear Generating Plant Radiological Environmental Monitoring Program
Sampling Locations (Cont'd)

Notes on Table 4:

"c" denotes control locations. All other locations are indicator locations.

The letters after TLD code numbers have the following meanings:

- A Locations in the general area of the site boundary;
- B Locations about 4 to 5 miles distant from the plant
- C Locations of control TLDs greater than 10 miles from the plant;
- S Special interest locations.

MONTICELLO NUCLEAR GENERATING PLANT		ODCM-07.01
TITLE:	RADIOLOGICAL ENVIRONMENTAL MONITORING PROGRAM	Revision 27
		Page 28 of 28

Table 5 Non-REMP ISFSI Monitoring Locations^a

Type of Sample	Code	Location
(TLD)	ISFSI-1 (neutron) and I-01 (gamma)	NE corner of ISFSI
(TLD)	ISFSI-2 (neutron) and I-02 (gamma)	North side of ISFSI, center
(TLD)	ISFSI-3 (neutron) and I-03 (gamma)	NW corner of ISFSI
(TLD)	ISFSI-4 (neutron) and I-04 (gamma)	West side of ISFSI, middle
(TLD)	ISFSI-5 (neutron) and I-05 (gamma)	West side of ISFSI, at center of array
(TLD)	ISFSI-6 (neutron) and I-06 (gamma)	SW corner of ISFSI
(TLD)	ISFSI-7 (neutron) and I-07 (gamma)	South side of ISFSI, center
(TLD)	ISFSI-8 (neutron) and I-08 (gamma)	SE corner of ISFSI
(TLD)	ISFSI-9 (neutron) and I-09 (gamma)	East side of ISFSI, at center of array
(TLD)	ISFSI-10 (neutron) and I-10 (gamma)	East side of ISFSI, middle

Notes for Table 5:

- a Neutron and Gamma TLDs located around the ISFSI pad are not considered REMP samples. These TLDs are provided to ensure that radiation due to spent fuel storage is adequately monitored and consistent with expected dose rates.

MONTICELLO NUCLEAR GENERATING PLANT		ODCM-08.01
TITLE:	REPORTING REQUIREMENTS	Revision 9
		Page 1 of 8

Approval: PCR 01480983

OFFSITE DOSE CALCULATION MANUAL - TABLE OF CONTENTS

<u>SECTION</u>		<u>PAGE</u>
1.0	RECORD OF REVISION	2
2.0	REPORTING REQUIREMENTS.....	3
2.1	Radioactive Effluent Release Report	3
2.2	Radiological Environmental Operating Report	5
2.3	Annual Summary of Meteorological Data.....	6
2.4	Industry Initiative on Groundwater Protection.....	6
2.5	Record Retention	8

MONTICELLO NUCLEAR GENERATING PLANT		ODCM-08.01
TITLE:	REPORTING REQUIREMENTS	Revision 9
		Page 2 of 8

1.0 RECORD OF REVISION

<u>Revision No.</u>	<u>Reason for Revision</u>
1	Moved previous ODCM-08.01 contents to ODCM-APP-B, Rev 0. Changed this section name to "REPORTING REQUIREMENTS" and incorporated applicable sections of T.S. sections 6.6.A, 6.6.B, 6.7.A.4, 6.7.A.5, and 6.7.C into this document.
2	Corrected above revision number to Revision 1. Changed 2.5.1. from T.S.6.6.A to OQAP, section 19.12.1. Changed 2.5.2. from T.S.6.6.B to OQAP, section 19.12.2.
3	Incorporated changes made during the conversion of the Current Technical Specifications to the Improved Technical Specifications. This includes dual step annotation.
4	Incorporated NEI Enhanced Groundwater Protection initiative reporting requirements. Changed 2.5.1 to remove reference to OQAP and refer to Fleet Procedure FP-G-RM-01 (RECORDS MANAGEMENT). Incorporated 2.5.2 into 2.5.1.
5	Added NEI to agencies to be notified as part of voluntary communication. Revised voluntary communication criteria per NEI 07-07[Final], August, 2007.
6.	Added reporting requirements, per NEI-07-07 (August 2007), in sections 2.1.10 and 2.2.9.
7.	Revised information to be included for solid waste shipped off-site on the Radioactive Effluent Release Report; sections 2.1.5.E and F.
8.	Enhanced reporting requirements in section 2.2.2 to clarify the data that is required to be in the annual report. This enhancement is a result of CAP 01343310.
9.	Revised REMP Reporting requirements to match TS5.6.1. (AR01480497) Moved TS verbiage under primary section headings in 2.1 and 2.2. and changed wording to match TSs 5.6.1 and 5.6.2. Moved groundwater reporting to ARERR (AR01489004). Changed leafy green vegetable to vegetation. Leafy Green Vegetables are no longer obtained. Various editorial corrections.

MONTICELLO NUCLEAR GENERATING PLANT		ODCM-08.01
TITLE:	REPORTING REQUIREMENTS	Revision 9
		Page 3 of 8

2.0 REPORTING REQUIREMENTS

2.1 Annual Radioactive Effluent Release Report (ARERR)

In accordance with Tech Spec 5.6.2, the ARERR covering the operation of the unit during the previous year **SHALL** be submitted prior to May 15 of each year in accordance with 10 CFR 50.36a. The report **SHALL** include a summary of the quantities of radioactive liquid and gaseous effluents and solid waste released from the unit. The material provided **SHALL** be consistent with the objectives outlined in the ODCM and Process Control Program and in conformance with 10 CFR 50.36a and 10 CFR Part 50, Appendix I, Section IV.B.1.

- 2.1.1 The ARERR **SHALL** include a summary of the quantities of radioactive liquid and gaseous effluents and solid waste released as outlined in Appendix B of Regulatory Guide 1.21, Revision 1, June, 1974, with the data summarized on a quarterly basis. In the event that some results are not available for inclusion with the report, the report **SHALL** be submitted noting and explaining the reasons for the missing results. The missing data **SHALL** be submitted as soon as possible in a supplementary report.
- 2.1.2 The ARERR **SHALL** include an assessment of the radiation doses from radioactive effluents released from the unit during the previous calendar year. This report **SHALL** also include an assessment of the radiation doses from radioactive liquid and gaseous effluents to the individuals due to their activities inside the site boundary (ODCM-02.01 Figure 1 and ODCM-03.01 Figure 1) during the report period. All assumptions used in making these assessments (i.e., specific activity, exposure time and location) **SHALL** be included in the reports. The assessment of radiation doses **SHALL** be performed in accordance with the ODCM or standard NRC computer codes.
- 2.1.3 The ARERR **SHALL** also include an assessment of radiation doses to the most likely exposed member of the public from reactor releases and other nearby uranium fuel cycle sources (including doses from primary effluent pathways and direct radiation) for the previous calendar year to show compliance with 40 CFR 190, Environmental Radiation Protection Standards for Nuclear Power Operation.
- 2.1.4 The ARERR **SHALL** include the following information for solid waste shipped off-site during the report period.
- A. Container volume
 - B. Total curie quantity (specify whether determined by measurements or estimate),
 - C. Principal radionuclides (specify whether determined by measurement or estimate),

MONTICELLO NUCLEAR GENERATING PLANT		ODCM-08.01
TITLE:	REPORTING REQUIREMENTS	Revision 9
		Page 4 of 8

- D. Type of waste (e.g., spent resin, compacted dry waste),
 - E. Mode of Transportation.
 - F. Transportation Destination.
- 2.1.5 The ARERR **SHALL** include unplanned releases from the site of radioactive materials in gaseous and liquid effluents on a quarterly basis.
- 2.1.6 The ARERR **SHALL** include a description of changes to the Process Control Program (PCP).
- 2.1.7 The ARERR **SHALL** contain a report of when milk or vegetation samples specified in ODCM-07.01 Table 1 cannot be obtained from the designated sample locations, and identify the new locations added to and deleted from the monitoring program.
- 2.1.8 The ARERR **SHALL** identify Land Use Census identified locations which yield a calculated dose or dose commitment (via the same exposure pathway) 20 percent greater than at a location from which samples are currently being obtained in accordance with ODCM-07.01 Control 2.1.1.
- 2.1.9 The ARERR **SHALL** include on-site ground water sample results for:
- A. Samples that are taken in support of the Industry Groundwater Protection Initiative (NEI 07-07) but are not part of the REMP program; and
 - B. Samples from long-term monitoring sample points that are not included in the REMP.
- 2.1.10 The ARERR **SHALL** include a description of all leaks or spills that are communicated per section 2.4.2.
- 2.1.11 The ARERR **SHALL** include a description of all on-site or off-site groundwater sample results that exceeded REMP reporting thresholds that were communicated per section 2.4.2.B.

MONTICELLO NUCLEAR GENERATING PLANT		ODCM-08.01
TITLE:	REPORTING REQUIREMENTS	Revision 9
		Page 5 of 8

2.2 Annual Radiological Environmental Operating Report (AREOR)

In accordance with Tech Spec 5.6.1, the AREOR covering the operation of the unit during the previous calendar year **SHALL** be submitted by May 15 of each year. The report **SHALL** include summaries, interpretations, and analyses of trends of the results of the Radiological Environmental Monitoring Program for the reporting period. The material provided **SHALL** be consistent with the objectives outlined in the Offsite Dose Calculation Manual (ODCM), and in 10 CFR 50, Appendix I, Sections IV.B.2, IV.B.3, and IV.C.

The AREOR **SHALL** include the results of analyses of all radiological environmental samples and of all environmental radiation measurements taken during the period pursuant to the locations specified in the table and figures in the ODCM, as well as summarized and tabulated results of these analyses and measurements in the format of the table in the Radiological Assessment Branch Technical Position, Revision 1, November 1979. In the event that some individual results are not available for inclusion with the report, the report **SHALL** be submitted noting and explaining the reasons for the missing results. The missing data **SHALL** be submitted in a supplementary report as soon as possible.

- 2.2.1 The AREOR **SHALL** also include the results of the land use census required by ODCM-07.01 Control 2.2.1. If harmful effects or evidence of irreversible damage are detected by the monitoring, the report **SHALL** provide an analysis of the problem and a planned course of action to alleviate the problem.
- 2.2.2 The AREOR **SHALL** include the following: a summary description of the Radiological Environmental Monitoring Program; a map of sampling locations keyed to a table giving distances and directions from the reactor; and the results of licensee participation in the Interlaboratory Comparison Program, required by ODCM-07.01 Control 2.4.1.A.
- 2.2.3 The AREOR **SHALL** include reasons for all deviations from the REMP sampling program as specified in ODCM-07.01 Table 1 and plans for the prevention of a recurrence, if applicable.
- 2.2.4 If the level of radioactivity in an environmental sampling medium at a specified location exceeds the reporting levels of ODCM-07.01 Table 2 for the sample type specified in ODCM-07.01 Table 1 and is NOT the result of plant effluents, the condition **SHALL** be reported in the AREOR.
- 2.2.5 A summary of the Interlaboratory Comparison Program **SHALL** be included in the AREOR. If the required Interlaboratory Comparison Program analyses are NOT performed, corrective action **SHALL** be reported in the AREOR.

MONTICELLO NUCLEAR GENERATING PLANT		ODCM-08.01
TITLE:	REPORTING REQUIREMENTS	Revision 9
		Page 6 of 8

2.3 Annual Summary of Meteorological Data

The annual summary of meteorological data **SHALL** be submitted for the previous calendar year in the form of joint frequency tables of wind speed, wind direction, and atmospheric stability at the request of the Nuclear Regulatory Commission.

2.4 Industry Initiative on Groundwater Protection (NEI 07-07)

NOTE: For purposes of this section, groundwater is defined as any subsurface moisture or water, regardless of where it is located beneath the earth's surface; any water located in wells, regardless of depth, type, or whether it is potable; water in storm drains, unless it has been demonstrated that the storm drains do not leak to ground; and water in sumps that communicate with subsurface water.

2.4.1 30-day report to NRC

- A. Submit the NRC within 30 days, a special report for any on-site or off-site groundwater sample that:
 - 1. Exceeds the ODCM criteria for 30-day reporting for off-site samples; and
 - 2. Could potentially reach groundwater that is or could be used in the future as a source of drinking water. Any groundwater that is potable should be considered as a potential source of drinking water.
- B. Include the following items in the report:
 - 1. A statement that the report is being submitted as part of NEI Enhanced Groundwater Protection Initiative;
 - 2. Level and nature of the contaminant;
 - 3. Actions taken and related sample results to date;
 - 4. Determination of potential or bounding annual dose to a member of the public; and
 - 5. Any necessary corrective actions to be taken to reduce the potential annual dose to a member of the public to less than the calendar year limits of the ODCM.
- C. Concurrently, provide copies of the 30-day written report to the designated State and Local Officials.

MONTICELLO NUCLEAR GENERATING PLANT		ODCM-08.01
TITLE:	REPORTING REQUIREMENTS	Revision 9
		Page 7 of 8

2.4.2 Voluntary Communications to State/Local Officials

- A. Make informal communications by the end of next business day to the designated State/Local officials if an inadvertent leak or spill to the environment has or can potentially get into the ground water and exceeds any of the following criteria:
1. Leak or spill exceeds 100 gallons from a source containing licensed material;
 2. Volume of spill or leak cannot be quantified but is likely to exceed 100 gallons from a source containing licensed material; or
 3. Any leak or spill, regardless of volume or activity, deemed by the licensee to warrant voluntary communication.
- B. Communication with the designated State/Local officials **SHALL** be made before the end of the next business day for a water sample result that meets either of the following criteria:
1. A sample of off-site ground water or surface water exceeds any of the REMP reporting criteria for water; or
 2. A sample of on-site surface water, that is hydrologically connected to ground water, or ground water that is or could be used as a source of drinking water, exceeds any REMP reporting criteria for water.
- The basis for concluding that the on-site ground water is not or would not be considered a source of drinking water **SHALL** be documented.
- C. When communicating with State/Local officials, be clear and precise in quantifying the actual release information as it applies to the appropriate regulatory criteria. The following information should be provided as part of the communication:
1. That the communication is being made as part of the NEI Enhanced Ground Water Protection Initiative;
 2. Date and time of spill, leak, or sample result(s);
 3. Whether or not the spill has been contained or the leak has been stopped;
 4. If known, the location of the leak or spill or water sample(s);
 5. Source of the leak or spill, if known;

MONTICELLO NUCLEAR GENERATING PLANT		ODCM-08.01
TITLE:	REPORTING REQUIREMENTS	Revision 9
		Page 8 of 8

6. List of the contaminant(s) and verified concentration(s);
 7. Description of action(s) already taken and a general description of future actions;
 8. An estimate of the potential or bounding annual dose to a member of the public, if available; and
 9. An estimated time/date to provide additional information or follow-up.
- D. Contact NEI by e-mail to GW_Notice@nei.org as part of voluntary communication event.
 - E. Following communication with State/Local officials and NEI, complete a 4-hour 10 CFR 50.72 NRC notification.

2.5 Record Retention

- 2.5.1 The following records **SHALL** be maintained in accordance with FP-G-RM-01 (QUALITY ASSURANCE RECORDS CONTROL) for the life of the corporation plus 10 years:
 - A. Periodic checks, inspections, tests and calibrations of components and systems as related to the specifications and treatment systems defined in the ODCM.
 - B. Records of wind speed and direction.
 - C. Records of reviews performed for changes made to the Offsite Dose Calculation Manual.
 - D. Liquid and gaseous radioactive releases to the environs.
 - E. Off-site environmental surveys
 - F. Radioactive shipments

Approval: <u>61600000221</u>

OFFSITE DOSE CALCULATION MANUAL - TABLE OF CONTENTS

<u>SECTION</u>	<u>PAGE</u>
1.0 RECORD OF REVISION	3
2.0 SUMMARY OF DISPERSION CALCULATION PROCEDURES	4
2.1 References.....	5
Table 1 Monticello Release Conditions	6
Table 2 Distances to Controlling Unrestricted Area Boundary Locations	7
Table 3 Monticello Reactor Vent Dispersion Parameters for Long Term Mixed Mode Releases > 500 Hrs/Yr or >150 Hrs / Qtr	9
Table 4 Monticello Reactor Vent Dispersion Parameters for Long Term Mixed Mode Releases > 500 Hrs/Yr or >150 Hrs/Qtr	10
Table 5 Monticello Reactor Vent Dispersion Parameters for Long Term Mixed Mode Releases > 500 Hrs/Yr or >150 Hrs/Qtr	16
Table 6 Monticello Offgas Stack Dispersion Parameters for Long Term Elevated Releases > 500 Hrs/Yr or >150 Hrs/Qtr	22
Table 7 Monticello Offgas Stack Dispersion Parameters for Long Term Elevated Releases > 500 Hrs/Yr or >150 Hrs/Qtr	23
Table 8 Monticello Offgas Stack Dispersion Parameters for Long Term Elevated Releases > 500 Hrs/Yr or >150 Hrs/Qtr	29
Table 9 Monticello Offgas Stack Dispersion Parameters for Short Term Elevated Releases ≤ 500 Hrs/Yr or ≤150 Hrs/Qtr.....	35
Table 10 Monticello Offgas Stack Dispersion Parameters for Short Term Elevated Releases ≤ 500 Hrs/Yr or ≤150 Hrs/Qtr	36
Table 11 Monticello Offgas Stack Dispersion Parameters for Short Term Elevated Releases ≤ 500 HrsYr or ≤150 Hrs/Qtr	41
Table 12 Monticello Reactor Building Vent Dispersion Parameters for Short Term Elevated Releases ≤ 500 Hrs/Yr or ≤150 Hrs/Qtr	46
Table 13 Reactor Building Vent Dispersion Parameters for Short Term Elevated Releases ≤ 500 Hrs/Yr or ≤150 Hrs/Qtr.....	47
Table 14 Reactor Building Vent Dispersion Parameters for Short Term Elevated Releases ≤ 500 Hrs/Yr or ≤150 Hrs/Qtr.....	52
Table 15 Monticello Pond 1 Dispersion Parameters for Long Term Ground Level Releases > 500 Hrs/Yr or > 150 Hrs/Qtr.....	57
Table 16 Monticello Pond 1 Dispersion Parameters for Long Term Ground Releases > 500 Hrs/Yr or > 150 Hrs/Qtr	58
Table 17 Monticello Pond 1 Dispersion Parameters for Long Term Ground Level Releases > 500 Hrs/Yr or > 150 Hrs/Qtr	64

MONTICELLO NUCLEAR GENERATING PLANT	ODCM-APP-A
APPENDIX A	Revision 7
	Page 2 of 109

Table 18	Monticello Pond 1 Dispersion Parameters for Short Term Ground Level Releases > 500 Hrs/Yr or > 150 Hrs/Qtr.....	70
Table 19	Monticello Pond 1 Dispersion Parameters for Short Term Ground Level Releases > 500 Hrs/Yr or > 150 Hrs/Qtr	71
Table 20	Monticello Pond 1 Dispersion Parameters for Short Term Ground Level Releases > 500 Hrs/Yr or > 150 Hrs/Qtr	77
Table 21	Monticello Pond 2A-2C Dispersion Parameters for Long Term Ground Level Releases > 500 Hrs/Yr or > 150 Hrs/Qtr.....	83
Table 22	Monticello Pond 2A-2C Dispersion Parameters for Long Term Ground Level Releases > 500 Hrs/Yr or > 150 Hrs/Qtr.....	84
Table 23	Monticello Pond 2A-2C Dispersion Parameters for Long Term Ground Level Releases > 500 Hrs/Yr or > 150 Hrs/Qtr.....	90
Table 24	Monticello Pond 2A-2C Dispersion Parameters for Short Term Ground Level Releases > 500 Hrs/Yr or > 150 Hrs/Qtr.....	96
Table 25	Monticello Pond 2A-2C Dispersion Parameters for Short Term Ground Level Releases > 500 Hrs/Yr or > 150 Hrs/Qtr.....	97
Table 26	Monticello Pond 2A-2C Dispersion Parameters for Short Term Ground Level Releases > 500 Hrs/Yr or > 150 Hrs/Qtr.....	103
3.0	BASES.....	109
3.1	Water Storage Ponds #2A-2C.....	109

MONTICELLO NUCLEAR GENERATING PLANT	ODCM-APP-A
APPENDIX A	Revision 7
	Page 3 of 109

1.0 RECORD OF REVISION

<u>Revision No.</u>	<u>Reason for Revision</u>
0	Moved previous ODCM-06.01 tables into this Appendix to make the ODCM easier to use.
1	Various items cleaned up from document conversion to Word.
2	Added statement to address changing χ/Q and D/Q values and the practice for updating values. CAP 01397500
3	Updated Table 4 with new χ/Q data following new calculations using MET data from 2006 to 2010 IAW Section 2.0, paragraph 6 of this procedure. PCR 01424740. CAP 01397500.
4	Updated remaining tables with data from 2006 to 2010. This makes all data internally consistent in regard to meteorological data set. Dispersion parameter calculations were reviewed under EC 24037, Rev. 0.
5	Updated all tables with χ/Q and D/Q data following new calculations using MET data from 2016 to 2020 IAW Section 2.0, paragraph 6 of this procedure. Vendor report R-4700132-01 rev. 0 was entered in records and used for the tables. Added tables for ground level release from the water storage pond. Report was reviewed as part of ECR 601000004236. Vendor Report R-5039904-01 rev 2 was used for the tables.
6	Updated R-4700132-01 was used to revise Table 10 2.7 mile values for the N-SSE Sectors, see CAP 501000077554.
7	Added tables for ground level release from additional Water Storage Ponds #2A-2C. Report was reviewed as part of ECR 601000005071. Vendor report R-5366556-01 was used for the tables. Added Bases Section. Identified original Pond as Pond 1.

MONTICELLO NUCLEAR GENERATING PLANT	ODCM-APP-A
APPENDIX A	Revision 7
	Page 4 of 109

2.0 SUMMARY OF DISPERSION CALCULATION PROCEDURES

Updepleted, undecayed dispersion parameters were computed using the computer program XOQDOQ (Sagendorf and Goll, 1977). Specifically, sector average χ/Q and D/Q values were obtained for a sector width of 22.5 degrees. Credit was taken for momentum plume rise and effective plume height was adjusted for local terrain height for elevated releases. Building wake corrections were used to adjust calculations for ground-level releases. Standard open terrain recirculation correction factors were also applied as available as default values in XOQDOQ.

Dispersion calculations were based on mixed mode releases for the reactor vent and on elevated releases for the offgas stack. A summary of release conditions used as input to XOQDOQ is presented in Table 1 and controlling site boundary distances are defined in Table 2. Computed χ/Q and D/Q values for unrestricted area boundary locations (relative to release points) and for standard distances (to five miles from the source in 0.1 mile increments) are presented in Tables 3 through 11.

For certain meteorological and release conditions, the enveloping interpolation routines in XOQDOQ used to compute short-term χ/Q and D/Q values do not provide reasonable results. Because of this, results were reviewed for consistency and where possible, the distributions of calculated χ/Q values were enveloped and interpolated by hand.

In some cases, use of the NRC methodology is implemented in XOQDOQ for estimating short term dispersion values results in values which are lower than the annual values. For these cases, the annual average χ/Q and D/Q values are used to conservatively represent short-term values. χ/Q and D/Q values for on-site EPA locations were adjusted (multiplied by a factor of 0.238) to account for limited daily exposure of workers in accordance with NUREG-0473⁽²⁾.

On-site meteorological data for the period September 1, 1976 through August 31, 1978 (as presented in Appendix B) were used as input to XOQDOQ. Data were collected and ΔT stability classes were defined in conformance with NRC Regulatory Guide 1.23⁽³⁾. Dispersion calculations for the reactor vent were based on $\Delta T_{42.7-10m}$ and 10 meter wind data (joint data recovery of 94 percent). Dispersion calculations for the offgas stack were based on $\Delta T_{100-10m}$ and 100 meter wind data (joint data recovery of 95 percent).

Review of χ/Q and D/Q values are performed every 5 years using the previous 5 years data. If the χ/Q or D/Q values increase by greater than 20% from the original analysis, then the values in APP-A should be updated. There is no specific guidance for reviewing and revising the χ/Q and D/Q values in the ODCM. MNGP has selected 5 years as a frequency and 20% increase for revision based on industry practice and recommendations. The 5 year data set review insures that there is enough data to prevent one year of abnormal meteorological data adversely affecting the average data. An increase in χ/Q or D/Q of greater than 20% prevents statistically insignificant changes in weather patterns having a large effect on environmental monitoring and dose calculations.

MONTICELLO NUCLEAR GENERATING PLANT	ODCM-APP-A
APPENDIX A	Revision 7
	Page 5 of 109

2.1 References

1. Sagendorf, J. F. and Goll, J. T., XOQDOQ Program for the Evaluation of Routine Effluent Releases at Nuclear Power Stations. NUREG 0324, U.S. Nuclear Regulatory Commission, September 1977.
2. NUREG-0473
3. USNRC Regulatory Guide 1.23
4. Engineering Change 24037 Rev. 0, Dose Calculation Inputs.

Table 1 Monticello Release Conditions

	Reactor Vent	Off-Gas Stack	Pond 1	Pond 2A	Pond 2B	Pond 2C
Release Type	Mixed mode (Long and short-term)	Elevated (Long and short-term)	Ground (Long and short-term)	Ground (Long and short-term)	Ground (Long and short-term)	Ground (Long and short-term)
Release point height, m	42	100	10	10	10	10
Adjacent building height, m	42	42	42	42	42	42
Relative location to adjacent structures	Adjacent to Turbine Building	400' SE of Reactor Building	2520' SE of Stack	Adjacent to Pond 1	Adjacent to Pond 1	Adjacent to Pond 1
Exit velocity, m/Sec	6.1	19.0	0	0	0	0
Internal Stack diameter, m	2.41	0.36	0	0	0	0
Building cross-sectional area, m2	1480	N/A	1480	1480	1480	1480
Purge frequency*, times per year	6	6	6	6	6	6
Purge duration*, hours/release	24	24	24	24	24	24

* Applied to short-term calculations only

Table 2 Distances to Controlling Unrestricted Area Boundary Locations
(Miles)

Column 1 As Measured from Reactor Vent		Column 2 As Measured from Offgas Stack		Column 3 As Measured from Pond 1	
Sector	Distance	Sector	Distance	Sector	Distance
N	0.51	N	0.59	N	0.66
NNE	0.58	N	0.63	NNE	0.21
NE	0.65	NNE	0.65	NE	0.04
ENE	0.83	ENE	0.78	ENE	0.03
E	0.59	E	0.50	E	0.02
ESE	0.59	E	0.50	ESE	0.03
SE	0.61	SSE	0.51	SE	0.03
SSE	0.43	S	0.36	SSE	0.05
S	0.34	SW	0.33	S	0.09
SSW	0.32	SW	0.33	SSW	0.14
WSW	0.32	WSW	0.38	WSW	0.17
W	0.48	W	0.56	W	0.27
WNW	0.68	NW	0.78	WNW	0.42
NW	0.43	NW	0.53	NW	0.89
NNW	0.53	NNW	0.61	NNW	0.78

* Locations specified in Column 2 are the same geographic points as specified in Column 1 although the reference points are different.

Table 2 Distances to Controlling Unrestricted Area Boundary Locations (cont'd)
(Miles)

As Measured from POND 2A		As Measured from POND 2B		As Measured from POND 2C	
Sector	Distance	Sector	Distance	Sector	Distance
N	0.82	N	0.83	N	0.87
NNE	0.83	NNE	0.76	NNE	0.15
NE	0.22	NE	0.13	NE	0.07
ENE	0.14	ENE	0.09	ENE	0.04
E	0.13	E	0.08	E	0.03
ESE	0.12	ESE	0.07	ESE	0.03
SE	0.13	SE	0.08	SE	0.03
SSE	0.13	SSE	0.09	SSE	0.04
S	0.12	S	0.10	S	0.06
SSW	0.13	SSW	0.10	SSW	0.08
SW	0.17	SW	0.12	SW	0.09
WSW	0.25	WSW	0.24	WSW	0.16
W	0.37	W	0.37	W	0.37
WNW	0.80	WNW	0.84	WNW	0.88
NW	0.95	NW	1.00	NW	1.05
NNW	0.93	NNW	0.98	NNW	1.02

Table 3 Monticello Reactor Vent Dispersion Parameters for Long Term Mixed Mode Releases
> 500 Hrs /Yr or >150 Hrs / Qtr

Site Boundary Sector*	χ/Q (sec/m ³)	D/Q (m ⁻²)
N	1.70E-06	2.10E-08
NNE	1.40E-06	1.80E-08
NE	1.00E-06	1.00E-08
ENE	7.70E-07	5.10E-09
E	1.70E-06	2.00E-08
ESE	1.50E-06	1.80E-08
SE	2.10E-06	2.30E-08
SSE	2.60E-06	3.30E-08
S	1.60E-06	2.30E-08
SSW	1.70E-06	2.20E-08
SW	1.60E-06	2.00E-08
WSW	1.20E-06	1.40E-08
W	1.10E-06	1.20E-08
WNW	1.10E-06	1.00E-08
NW	1.70E-06	2.10E-08
NNW	1.30E-06	1.50E-08

Period of record: 1/1/2016 to 12/31/2020

*Measured relative to the Reactor Vent.

MONTICELLO NUCLEAR GENERATING PLANT	ODCM-APP-A
APPENDIX A	Revision 7
	Page 10 of 109

Table 4 Monticello Reactor Vent Dispersion Parameters for Long Term Mixed Mode Releases
> 500 Hrs/Yr or >150 Hrs/Qtr

For Standard Distances (As Measured from the Reactor Vent) (χ/Q), sec/m³

Sector*	Distance in Miles from Vent									
	0.1	0.2	0.3	0.4	0.5	0.6	0.7	0.8	0.9	1.0
N	1.70E-05	5.50E-06	3.10E-06	2.20E-06	1.70E-06	1.50E-06	1.40E-06	1.30E-06	1.10E-06	9.60E-07
NNE	1.60E-05	5.30E-06	2.90E-06	2.00E-06	1.60E-06	1.40E-06	1.30E-06	1.10E-06	9.40E-07	8.20E-07
NE	1.10E-05	3.60E-06	2.10E-06	1.50E-06	1.20E-06	1.10E-06	1.00E-06	9.20E-07	8.00E-07	7.10E-07
ENE	8.40E-06	2.80E-06	1.60E-06	1.20E-06	9.70E-07	8.90E-07	8.50E-07	8.00E-07	7.20E-07	6.40E-07
E	1.90E-05	6.00E-06	3.50E-06	2.50E-06	2.00E-06	1.70E-06	1.50E-06	1.30E-06	1.10E-06	9.20E-07
ESE	1.50E-05	4.90E-06	2.80E-06	2.00E-06	1.70E-06	1.40E-06	1.30E-06	1.10E-06	9.40E-07	8.00E-07
SE	2.10E-05	6.80E-06	4.00E-06	2.90E-06	2.40E-06	2.10E-06	1.90E-06	1.70E-06	1.40E-06	1.20E-06
SSE	1.90E-05	6.20E-06	3.70E-06	2.80E-06	2.40E-06	2.10E-06	2.00E-06	1.80E-06	1.50E-06	1.30E-06
S	9.00E-06	3.10E-06	1.90E-06	1.40E-06	1.20E-06	1.10E-06	1.10E-06	1.00E-06	9.00E-07	8.00E-07
SSW	8.90E-06	3.00E-06	1.80E-06	1.40E-06	1.20E-06	1.10E-06	1.10E-06	1.00E-06	8.80E-07	7.80E-07
SW	8.50E-06	2.80E-06	1.70E-06	1.30E-06	1.10E-06	1.10E-06	1.00E-06	9.50E-07	8.40E-07	7.40E-07
WSW	6.50E-06	2.20E-06	1.40E-06	1.10E-06	9.20E-07	8.80E-07	8.60E-07	8.10E-07	7.20E-07	6.40E-07
W	7.60E-06	2.50E-06	1.60E-06	1.20E-06	1.10E-06	1.00E-06	1.00E-06	9.50E-07	8.40E-07	7.60E-07
WNW	1.10E-05	3.60E-06	2.10E-06	1.60E-06	1.30E-06	1.10E-06	1.10E-06	9.50E-07	8.10E-07	7.10E-07
NW	1.40E-05	4.50E-06	2.60E-06	1.80E-06	1.50E-06	1.30E-06	1.20E-06	1.10E-06	9.60E-07	8.40E-07
NNW	1.20E-05	4.00E-06	2.30E-06	1.60E-06	1.40E-06	1.20E-06	1.10E-06	1.00E-06	9.00E-07	8.00E-07

Period of record: 1/1/2016 to 12/31/2020

*Measured relative to the Reactor Vent.

Table 4 Monticello Reactor Vent Dispersion Parameters for Long Term Mixed Mode Releases
> 500 Hrs/Yr or >150 Hrs/Qtr (cont'd)
For Standard Distances (As Measured from the Reactor Vent) (χ/Q), sec/m³

Sector*	Distance in Miles from Vent									
	1.1	1.2	1.3	1.4	1.5	1.6	1.7	1.8	1.9	2.0
N	8.50E-07	7.70E-07	7.00E-07	6.40E-07	5.90E-07	5.40E-07	5.10E-07	4.70E-07	4.40E-07	4.20E-07
NNE	7.20E-07	6.40E-07	5.70E-07	5.20E-07	4.70E-07	4.40E-07	4.00E-07	3.70E-07	3.50E-07	3.20E-07
NE	6.30E-07	5.60E-07	5.10E-07	4.60E-07	4.20E-07	3.90E-07	3.60E-07	3.30E-07	3.10E-07	2.90E-07
ENE	5.70E-07	5.20E-07	4.70E-07	4.30E-07	3.90E-07	3.60E-07	3.30E-07	3.00E-07	2.80E-07	2.60E-07
E	8.00E-07	7.00E-07	6.10E-07	5.50E-07	4.90E-07	4.40E-07	4.00E-07	3.70E-07	3.40E-07	3.10E-07
ESE	6.90E-07	6.00E-07	5.20E-07	4.60E-07	4.10E-07	3.70E-07	3.40E-07	3.10E-07	2.80E-07	2.60E-07
SE	1.00E-06	9.10E-07	8.10E-07	7.20E-07	6.50E-07	5.90E-07	5.40E-07	5.00E-07	4.60E-07	4.20E-07
SSE	1.10E-06	9.90E-07	8.70E-07	7.80E-07	7.00E-07	6.30E-07	5.70E-07	5.20E-07	4.80E-07	4.40E-07
S	7.20E-07	6.40E-07	5.80E-07	5.30E-07	4.80E-07	4.40E-07	4.10E-07	3.80E-07	3.50E-07	3.30E-07
SSW	6.90E-07	6.20E-07	5.60E-07	5.10E-07	4.60E-07	4.30E-07	3.90E-07	3.60E-07	3.40E-07	3.10E-07
SW	6.70E-07	6.00E-07	5.50E-07	5.00E-07	4.60E-07	4.20E-07	3.90E-07	3.60E-07	3.40E-07	3.10E-07
WSW	5.80E-07	5.30E-07	4.80E-07	4.40E-07	4.00E-07	3.70E-07	3.50E-07	3.20E-07	3.00E-07	2.80E-07
W	6.80E-07	6.20E-07	5.70E-07	5.20E-07	4.80E-07	4.40E-07	4.10E-07	3.80E-07	3.60E-07	3.30E-07
WNW	6.40E-07	5.80E-07	5.20E-07	4.80E-07	4.40E-07	4.10E-07	3.80E-07	3.50E-07	3.30E-07	3.10E-07
NW	7.50E-07	6.80E-07	6.10E-07	5.60E-07	5.10E-07	4.70E-07	4.40E-07	4.00E-07	3.80E-07	3.50E-07
NNW	7.10E-07	6.40E-07	5.80E-07	5.30E-07	4.80E-07	4.40E-07	4.10E-07	3.80E-07	3.60E-07	3.30E-07

Period of record: 1/1/2016 to 12/31/2020

*Measured relative to the Reactor Vent.

Table 4 Monticello Reactor Vent Dispersion Parameters for Long Term Mixed Mode Releases
> 500 Hrs/Yr or >150 Hrs/Qtr (cont'd)
For Standard Distances (As Measured from the Reactor Vent) (χ/Q), sec/m³

Sector*	Distance in Miles from Vent									
	2.1	2.2	2.3	2.4	2.5	2.6	2.7	2.8	2.9	3.0
N	4.00E-07	3.80E-07	3.60E-07	3.40E-07	3.30E-07	3.10E-07	3.00E-07	2.90E-07	2.80E-07	2.70E-07
NNE	3.00E-07	2.90E-07	2.70E-07	2.60E-07	2.40E-07	2.30E-07	2.20E-07	2.10E-07	2.00E-07	1.90E-07
NE	2.70E-07	2.50E-07	2.40E-07	2.20E-07	2.10E-07	2.00E-07	1.90E-07	1.80E-07	1.70E-07	1.70E-07
ENE	2.50E-07	2.30E-07	2.20E-07	2.00E-07	1.90E-07	1.80E-07	1.70E-07	1.60E-07	1.50E-07	1.50E-07
E	2.90E-07	2.70E-07	2.50E-07	2.30E-07	2.20E-07	2.10E-07	1.90E-07	1.80E-07	1.70E-07	1.60E-07
ESE	2.40E-07	2.20E-07	2.00E-07	1.90E-07	1.80E-07	1.70E-07	1.50E-07	1.50E-07	1.40E-07	1.30E-07
SE	3.90E-07	3.70E-07	3.40E-07	3.20E-07	3.00E-07	2.90E-07	2.70E-07	2.60E-07	2.40E-07	2.30E-07
SSE	4.10E-07	3.80E-07	3.60E-07	3.30E-07	3.10E-07	2.90E-07	2.80E-07	2.60E-07	2.50E-07	2.30E-07
S	3.10E-07	2.90E-07	2.70E-07	2.50E-07	2.40E-07	2.30E-07	2.10E-07	2.00E-07	1.90E-07	1.80E-07
SSW	2.90E-07	2.70E-07	2.60E-07	2.40E-07	2.30E-07	2.20E-07	2.10E-07	2.00E-07	1.90E-07	1.80E-07
SW	3.00E-07	2.80E-07	2.60E-07	2.50E-07	2.30E-07	2.20E-07	2.10E-07	2.00E-07	1.90E-07	1.80E-07
WSW	2.60E-07	2.50E-07	2.40E-07	2.20E-07	2.10E-07	2.00E-07	1.90E-07	1.80E-07	1.70E-07	1.70E-07
W	3.10E-07	3.00E-07	2.80E-07	2.70E-07	2.50E-07	2.40E-07	2.30E-07	2.20E-07	2.10E-07	2.00E-07
WNW	2.90E-07	2.80E-07	2.60E-07	2.50E-07	2.40E-07	2.30E-07	2.20E-07	2.10E-07	2.00E-07	1.90E-07
NW	3.30E-07	3.10E-07	2.90E-07	2.80E-07	2.60E-07	2.50E-07	2.40E-07	2.20E-07	2.10E-07	2.00E-07
NNW	3.10E-07	2.90E-07	2.80E-07	2.60E-07	2.50E-07	2.40E-07	2.20E-07	2.10E-07	2.00E-07	1.90E-07

Period of record: 1/1/2016 to 12/31/2020

*Measured relative to the Reactor Vent.

Table 4 Monticello Reactor Vent Dispersion Parameters for Long Term Mixed Mode Releases
> 500 Hrs/Yr or >150 Hrs/Qtr (cont'd)
For Standard Distances (As Measured from the Reactor Vent) (χ/Q), sec/m³

Sector*	Distance in Miles from Vent									
	3.1	3.2	3.3	3.4	3.5	3.6	3.7	3.8	3.9	4.0
N	2.70E-07	2.60E-07	2.50E-07	2.50E-07	2.40E-07	2.30E-07	2.20E-07	2.20E-07	2.10E-07	2.10E-07
NNE	1.70E-07	1.60E-07	1.60E-07	1.50E-07	1.50E-07	1.40E-07	1.40E-07	1.30E-07	1.30E-07	1.20E-07
NE	1.30E-07	1.30E-07	1.20E-07	1.20E-07	1.10E-07	1.10E-07	1.10E-07	1.00E-07	1.00E-07	9.70E-08
ENE	1.30E-07	1.30E-07	1.20E-07	1.20E-07	1.10E-07	1.10E-07	1.00E-07	1.00E-07	9.80E-08	9.50E-08
E	1.60E-07	1.50E-07	1.50E-07	1.40E-07	1.40E-07	1.30E-07	1.30E-07	1.20E-07	1.20E-07	1.10E-07
ESE	1.40E-07	1.30E-07	1.30E-07	1.20E-07	1.20E-07	1.10E-07	1.10E-07	1.00E-07	9.90E-08	9.50E-08
SE	1.90E-07	1.80E-07	1.80E-07	1.70E-07	1.60E-07	1.60E-07	1.50E-07	1.50E-07	1.40E-07	1.40E-07
SSE	2.50E-07	2.40E-07	2.20E-07	2.10E-07	2.00E-07	2.00E-07	1.90E-07	1.80E-07	1.70E-07	1.70E-07
S	1.50E-07	1.40E-07	1.40E-07	1.30E-07	1.30E-07	1.20E-07	1.20E-07	1.10E-07	1.10E-07	1.10E-07
SSW	1.60E-07	1.50E-07	1.40E-07	1.40E-07	1.30E-07	1.30E-07	1.20E-07	1.20E-07	1.20E-07	1.10E-07
SW	1.70E-07	1.60E-07	1.50E-07	1.50E-07	1.40E-07	1.40E-07	1.30E-07	1.30E-07	1.30E-07	1.20E-07
WSW	1.60E-07	1.60E-07	1.50E-07	1.50E-07	1.40E-07	1.40E-07	1.30E-07	1.30E-07	1.20E-07	1.20E-07
W	2.10E-07	2.00E-07	2.00E-07	1.90E-07	1.80E-07	1.80E-07	1.70E-07	1.70E-07	1.60E-07	1.60E-07
WNW	2.00E-07	1.90E-07	1.90E-07	1.80E-07	1.80E-07	1.70E-07	1.70E-07	1.60E-07	1.60E-07	1.50E-07
NW	1.80E-07	1.80E-07	1.70E-07	1.60E-07	1.60E-07	1.50E-07	1.50E-07	1.40E-07	1.40E-07	1.30E-07
NNW	2.30E-07	2.20E-07	2.10E-07	2.00E-07	1.90E-07	1.90E-07	1.80E-07	1.70E-07	1.70E-07	1.60E-07

Period of record: 1/1/2016 to 12/31/2020

*Measured relative to the Reactor Vent.

Table 4 Monticello Reactor Vent Dispersion Parameters for Long Term Mixed Mode Releases
> 500 Hrs/Yr or >150 Hrs/Qtr (cont'd)
For Standard Distances (As Measured from the Reactor Vent) (χ/Q), sec/m³

Sector*	Distance in Miles from Vent									
	4.1	4.2	4.3	4.4	4.5	4.6	4.7	4.8	4.9	5.0
N	2.00E-07	2.00E-07	1.90E-07	1.90E-07	1.80E-07	1.80E-07	1.80E-07	1.70E-07	1.70E-07	1.70E-07
NNE	1.30E-07	1.30E-07	1.30E-07	1.20E-07	1.20E-07	1.20E-07	1.10E-07	1.10E-07	1.10E-07	1.10E-07
NE	1.10E-07	1.10E-07	1.00E-07	9.90E-08	9.60E-08	9.40E-08	9.10E-08	8.80E-08	8.60E-08	8.40E-08
ENE	9.40E-08	9.10E-08	8.80E-08	8.50E-08	8.20E-08	8.00E-08	7.80E-08	7.50E-08	7.30E-08	7.10E-08
E	1.00E-07	9.70E-08	9.30E-08	9.00E-08	8.70E-08	8.40E-08	8.10E-08	7.90E-08	7.60E-08	7.40E-08
ESE	7.80E-08	7.50E-08	7.20E-08	6.90E-08	6.70E-08	6.50E-08	6.20E-08	6.00E-08	5.80E-08	5.70E-08
SE	1.50E-07	1.40E-07	1.40E-07	1.30E-07	1.30E-07	1.30E-07	1.20E-07	1.20E-07	1.20E-07	1.10E-07
SSE	1.40E-07	1.40E-07	1.30E-07	1.30E-07	1.20E-07	1.20E-07	1.20E-07	1.10E-07	1.10E-07	1.10E-07
S	1.20E-07	1.10E-07	1.10E-07	1.10E-07	1.00E-07	1.00E-07	9.80E-08	9.60E-08	9.30E-08	9.00E-08
SSW	1.20E-07	1.10E-07	1.10E-07	1.10E-07	1.00E-07	1.00E-07	9.90E-08	9.60E-08	9.40E-08	9.10E-08
SW	1.20E-07	1.20E-07	1.20E-07	1.10E-07	1.10E-07	1.10E-07	1.00E-07	1.00E-07	9.90E-08	9.60E-08
WSW	1.10E-07	1.10E-07	1.10E-07	1.00E-07	1.00E-07	9.90E-08	9.70E-08	9.50E-08	9.20E-08	9.00E-08
W	1.40E-07	1.30E-07	1.30E-07	1.30E-07	1.20E-07	1.20E-07	1.20E-07	1.10E-07	1.10E-07	1.10E-07
WNW	1.40E-07	1.30E-07	1.30E-07	1.30E-07	1.30E-07	1.20E-07	1.20E-07	1.20E-07	1.20E-07	1.10E-07
NW	1.40E-07	1.30E-07	1.30E-07	1.20E-07	1.20E-07	1.20E-07	1.10E-07	1.10E-07	1.10E-07	1.10E-07
NNW	1.30E-07	1.30E-07	1.20E-07	1.20E-07	1.20E-07	1.10E-07	1.10E-07	1.10E-07	1.10E-07	1.00E-07

Period of record: 1/1/2016 to 12/31/2020

*Measured relative to the Reactor Vent.

MONTICELLO NUCLEAR GENERATING PLANT	ODCM-APP-A
APPENDIX A	Revision 7
	Page 15 of 109

Table 4 Monticello Reactor Vent Dispersion Parameters for Long Term Mixed Mode Releases
> 500 Hrs/Yr or >150 Hrs/Qtr (cont'd)
For Standard Distances (As Measured from the Reactor Vent) (χ/Q), sec/m³

Sector*	Distance in Miles from Vent									
	7.5	10	15	20	25	30	35	40	45	50
N	1.10E-07	7.50E-08	4.70E-08	3.80E-08	3.00E-08	2.40E-08	2.00E-08	1.70E-08	1.40E-08	1.30E-08
NNE	7.10E-08	5.30E-08	3.50E-08	2.70E-08	2.30E-08	1.90E-08	1.70E-08	1.40E-08	1.20E-08	1.10E-08
NE	5.30E-08	3.90E-08	2.60E-08	1.90E-08	1.50E-08	1.20E-08	1.00E-08	8.50E-09	7.40E-09	6.50E-09
ENE	4.30E-08	3.20E-08	2.30E-08	1.70E-08	1.20E-08	9.80E-09	8.00E-09	6.70E-09	5.80E-09	5.10E-09
E	4.20E-08	2.90E-08	2.10E-08	1.50E-08	1.10E-08	8.80E-09	7.10E-09	6.00E-09	5.10E-09	4.50E-09
ESE	3.20E-08	2.30E-08	1.40E-08	9.60E-09	7.20E-09	5.70E-09	4.70E-09	3.90E-09	3.40E-09	3.20E-09
SE	6.30E-08	4.10E-08	2.40E-08	1.60E-08	1.20E-08	9.30E-09	7.60E-09	6.30E-09	5.40E-09	4.70E-09
SSE	6.20E-08	4.30E-08	2.70E-08	1.90E-08	1.50E-08	1.20E-08	9.50E-09	8.00E-09	6.80E-09	6.00E-09
S	5.40E-08	3.80E-08	2.30E-08	1.60E-08	1.20E-08	9.80E-09	8.30E-09	7.00E-09	6.00E-09	5.20E-09
SSW	5.30E-08	3.50E-08	2.10E-08	1.50E-08	1.10E-08	8.50E-09	7.00E-09	5.90E-09	5.00E-09	4.40E-09
SW	5.50E-08	3.60E-08	2.10E-08	1.40E-08	1.10E-08	8.50E-09	7.00E-09	5.90E-09	5.00E-09	4.40E-09
WSW	5.50E-08	3.70E-08	2.20E-08	1.50E-08	1.20E-08	9.00E-09	7.40E-09	6.20E-09	5.30E-09	4.60E-09
W	6.60E-08	4.40E-08	2.70E-08	2.00E-08	1.50E-08	1.20E-08	9.40E-09	7.90E-09	6.80E-09	5.90E-09
WNW	7.20E-08	4.90E-08	3.20E-08	2.50E-08	1.90E-08	1.50E-08	1.20E-08	1.00E-08	8.80E-09	7.70E-09
NW	6.60E-08	4.80E-08	3.20E-08	2.30E-08	1.80E-08	1.60E-08	1.30E-08	1.10E-08	9.30E-09	8.10E-09
NNW	6.40E-08	4.50E-08	3.20E-08	2.60E-08	2.10E-08	1.60E-08	1.30E-08	1.10E-08	9.70E-09	8.50E-09

Period of record: 1/1/2016 to 12/31/2020

*Measured relative to the Reactor Vent.

MONTICELLO NUCLEAR GENERATING PLANT	ODCM-APP-A
APPENDIX A	Revision 7
	Page 16 of 109

Table 5 Monticello Reactor Vent Dispersion Parameters for Long Term Mixed Mode Releases
> 500 Hrs/Yr or >150 Hrs/Qtr

For Standard Distances (As Measured from the Reactor Vent) (D/Q), m⁻²

Sector*	Distance in Miles from Vent									
	0.1	0.2	0.3	0.4	0.5	0.6	0.7	0.8	0.9	1.0
N	1.50E-07	6.60E-08	4.10E-08	2.90E-08	2.20E-08	1.70E-08	1.30E-08	1.10E-08	8.00E-09	6.60E-09
NNE	1.50E-07	6.70E-08	4.30E-08	3.00E-08	2.20E-08	1.70E-08	1.40E-08	1.10E-08	7.90E-09	6.10E-09
NE	9.20E-08	4.20E-08	2.70E-08	1.90E-08	1.40E-08	1.10E-08	9.00E-09	7.10E-09	5.40E-09	4.30E-09
ENE	6.60E-08	3.10E-08	2.00E-08	1.40E-08	1.10E-08	8.50E-09	6.80E-09	5.60E-09	4.20E-09	3.30E-09
E	1.70E-07	7.40E-08	4.60E-08	3.30E-08	2.50E-08	1.90E-08	1.60E-08	1.20E-08	9.40E-09	7.40E-09
ESE	1.50E-07	6.60E-08	4.10E-08	2.90E-08	2.20E-08	1.70E-08	1.40E-08	1.10E-08	8.40E-09	6.60E-09
SE	2.00E-07	8.70E-08	5.50E-08	3.90E-08	3.00E-08	2.30E-08	1.90E-08	1.50E-08	1.20E-08	9.10E-09
SSE	1.70E-07	7.70E-08	5.00E-08	3.60E-08	2.70E-08	2.20E-08	1.80E-08	1.60E-08	1.20E-08	9.20E-09
S	8.00E-08	3.90E-08	2.60E-08	1.90E-08	1.50E-08	1.20E-08	9.60E-09	8.20E-09	6.20E-09	4.90E-09
SSW	7.50E-08	3.60E-08	2.40E-08	1.70E-08	1.40E-08	1.10E-08	9.00E-09	7.80E-09	5.90E-09	4.60E-09
SW	6.80E-08	3.20E-08	2.10E-08	1.60E-08	1.20E-08	1.00E-08	8.30E-09	6.70E-09	5.20E-09	4.40E-09
WSW	4.80E-08	2.40E-08	1.70E-08	1.20E-08	9.70E-09	7.90E-09	6.50E-09	5.30E-09	4.10E-09	3.40E-09
W	5.60E-08	2.70E-08	1.90E-08	1.40E-08	1.10E-08	9.10E-09	7.60E-09	6.10E-09	4.80E-09	3.90E-09
WNW	8.40E-08	4.00E-08	2.70E-08	2.00E-08	1.50E-08	1.20E-08	9.90E-09	7.80E-09	6.00E-09	4.80E-09
NW	1.00E-07	4.80E-08	3.10E-08	2.30E-08	1.70E-08	1.40E-08	1.10E-08	8.90E-09	6.90E-09	5.40E-09
NNW	1.00E-07	4.70E-08	3.10E-08	2.20E-08	1.70E-08	1.30E-08	1.10E-08	8.40E-09	6.40E-09	5.00E-09

Period of record: 1/1/2016 to 12/31/2020

*Measured relative to the Reactor Vent.

Table 5 Monticello Reactor Vent Dispersion Parameters for Long Term Mixed Mode Releases
> 500 Hrs/Yr or >150 Hrs/Qtr (cont'd)

For Standard Distances (As Measured from the Reactor Vent) (D/Q), m⁻²

Sector*	Distance in Miles from Vent									
	1.1	1.2	1.3	1.4	1.5	1.6	1.7	1.8	1.9	2.0
N	5.30E-09	4.30E-09	3.50E-09	3.00E-09	2.50E-09	2.20E-09	1.90E-09	1.60E-09	1.50E-09	1.30E-09
NNE	4.90E-09	4.00E-09	3.30E-09	2.80E-09	2.40E-09	2.10E-09	1.80E-09	1.60E-09	1.40E-09	1.20E-09
NE	3.50E-09	2.80E-09	2.30E-09	2.00E-09	1.70E-09	1.40E-09	1.30E-09	1.10E-09	9.70E-10	8.60E-10
ENE	2.60E-09	2.10E-09	1.80E-09	1.50E-09	1.30E-09	1.10E-09	9.60E-10	8.40E-10	7.50E-10	6.70E-10
E	6.00E-09	4.90E-09	4.10E-09	3.40E-09	2.90E-09	2.50E-09	2.20E-09	1.90E-09	1.70E-09	1.50E-09
ESE	5.30E-09	4.30E-09	3.60E-09	3.00E-09	2.60E-09	2.20E-09	2.00E-09	1.70E-09	1.50E-09	1.40E-09
SE	7.30E-09	6.00E-09	5.00E-09	4.50E-09	3.80E-09	3.30E-09	2.90E-09	2.50E-09	2.20E-09	2.00E-09
SSE	7.30E-09	6.00E-09	5.00E-09	4.20E-09	3.60E-09	3.10E-09	2.70E-09	2.40E-09	2.10E-09	1.90E-09
S	3.90E-09	3.20E-09	2.70E-09	2.30E-09	1.90E-09	1.70E-09	1.50E-09	1.30E-09	1.10E-09	1.00E-09
SSW	3.70E-09	3.10E-09	2.60E-09	2.20E-09	1.90E-09	1.60E-09	1.40E-09	1.20E-09	1.10E-09	9.70E-10
SW	3.50E-09	2.90E-09	2.40E-09	2.00E-09	1.80E-09	1.50E-09	1.30E-09	1.20E-09	1.00E-09	9.20E-10
WSW	2.70E-09	2.30E-09	1.90E-09	1.60E-09	1.40E-09	1.20E-09	1.00E-09	9.20E-10	8.20E-10	7.40E-10
W	3.20E-09	2.60E-09	2.20E-09	1.90E-09	1.60E-09	1.40E-09	1.20E-09	1.10E-09	9.60E-10	8.60E-10
WNW	3.80E-09	3.20E-09	2.70E-09	2.20E-09	1.90E-09	1.70E-09	1.50E-09	1.30E-09	1.10E-09	1.00E-09
NW	4.40E-09	3.60E-09	3.00E-09	2.50E-09	2.20E-09	1.90E-09	1.60E-09	1.40E-09	1.30E-09	1.10E-09
NNW	4.00E-09	3.30E-09	2.70E-09	2.30E-09	2.00E-09	1.70E-09	1.50E-09	1.30E-09	1.20E-09	1.10E-09

Period of record: 1/1/2016 to 12/31/2020

*Measured relative to the Reactor Vent.

MONTICELLO NUCLEAR GENERATING PLANT	ODCM-APP-A
APPENDIX A	Revision 7
	Page 18 of 109

Table 5 Monticello Reactor Vent Dispersion Parameters for Long Term Mixed Mode Releases
> 500 Hrs/Yr or >150 Hrs/Qtr (cont'd)

For Standard Distances (As Measured from the Reactor Vent) (D/Q), m⁻²

Sector*	Distance in Miles from Vent									
	2.1	2.2	2.3	2.4	2.5	2.6	2.7	2.8	2.9	3.0
N	1.20E-09	1.00E-09	9.40E-10	8.60E-10	7.80E-10	7.20E-10	6.60E-10	6.20E-10	5.70E-10	5.40E-10
NNE	1.10E-09	1.00E-09	9.00E-10	8.20E-10	7.50E-10	6.90E-10	6.30E-10	5.80E-10	5.40E-10	5.00E-10
NE	7.70E-10	7.00E-10	6.30E-10	5.70E-10	5.20E-10	4.80E-10	4.40E-10	4.10E-10	3.80E-10	3.50E-10
ENE	6.00E-10	5.40E-10	4.90E-10	4.40E-10	4.10E-10	3.70E-10	3.40E-10	3.20E-10	2.90E-10	2.70E-10
E	1.40E-09	1.20E-09	1.10E-09	1.00E-09	9.20E-10	8.40E-10	7.80E-10	7.20E-10	6.60E-10	6.20E-10
ESE	1.20E-09	1.10E-09	9.90E-10	9.00E-10	8.20E-10	7.50E-10	6.90E-10	6.40E-10	5.90E-10	5.50E-10
SE	1.80E-09	1.60E-09	1.40E-09	1.30E-09	1.20E-09	1.10E-09	1.00E-09	9.70E-10	9.00E-10	8.30E-10
SSE	1.70E-09	1.50E-09	1.40E-09	1.20E-09	1.10E-09	1.00E-09	9.40E-10	8.70E-10	8.10E-10	7.50E-10
S	9.10E-10	8.20E-10	7.50E-10	6.80E-10	6.20E-10	5.70E-10	5.30E-10	4.90E-10	4.50E-10	4.20E-10
SSW	8.70E-10	7.90E-10	7.10E-10	6.50E-10	6.00E-10	5.90E-10	5.40E-10	5.00E-10	4.60E-10	4.30E-10
SW	8.30E-10	7.50E-10	7.40E-10	6.70E-10	6.10E-10	5.60E-10	5.10E-10	4.90E-10	4.50E-10	4.20E-10
WSW	6.60E-10	6.00E-10	5.40E-10	5.00E-10	4.90E-10	4.50E-10	4.10E-10	3.80E-10	3.60E-10	3.30E-10
W	7.70E-10	7.00E-10	6.30E-10	5.80E-10	5.30E-10	5.30E-10	4.90E-10	4.50E-10	4.20E-10	3.90E-10
WNW	9.30E-10	8.30E-10	7.60E-10	6.90E-10	6.30E-10	5.80E-10	5.30E-10	4.90E-10	4.60E-10	4.30E-10
NW	1.00E-09	9.30E-10	8.40E-10	7.60E-10	7.00E-10	6.40E-10	5.90E-10	5.50E-10	5.10E-10	4.70E-10
NNW	9.50E-10	8.50E-10	7.70E-10	7.00E-10	6.40E-10	5.90E-10	5.40E-10	5.00E-10	4.60E-10	4.30E-10

Period of record: 1/1/2016 to 12/31/2020

*Measured relative to the Reactor Vent.

Table 5 Monticello Reactor Vent Dispersion Parameters for Long Term Mixed Mode Releases
> 500 Hrs/Yr or >150 Hrs/Qtr (cont'd)

For Standard Distances (As Measured from the Reactor Vent) (D/Q), m⁻²

Sector*	Distance in Miles from Vent									
	3.1	3.2	3.3	3.4	3.5	3.6	3.7	3.8	3.9	4.0
N	5.20E-10	4.80E-10	4.60E-10	4.30E-10	4.10E-10	3.90E-10	3.70E-10	3.50E-10	2.90E-10	3.30E-10
NNE	4.70E-10	4.40E-10	4.10E-10	3.80E-10	3.60E-10	3.40E-10	3.20E-10	3.00E-10	2.00E-10	2.80E-10
NE	3.30E-10	3.00E-10	2.80E-10	2.70E-10	2.50E-10	2.40E-10	2.20E-10	2.10E-10	1.60E-10	1.90E-10
ENE	2.50E-10	2.40E-10	2.20E-10	2.10E-10	2.00E-10	1.80E-10	1.70E-10	1.60E-10	3.50E-10	1.50E-10
E	5.70E-10	5.30E-10	5.00E-10	4.70E-10	4.40E-10	4.10E-10	3.90E-10	3.70E-10	3.10E-10	3.30E-10
ESE	5.10E-10	4.80E-10	4.50E-10	4.20E-10	3.90E-10	3.70E-10	3.50E-10	3.30E-10	4.80E-10	3.00E-10
SE	7.70E-10	7.20E-10	6.70E-10	6.40E-10	6.00E-10	5.70E-10	5.30E-10	5.00E-10	4.30E-10	4.50E-10
SSE	7.00E-10	6.50E-10	6.10E-10	5.70E-10	5.40E-10	5.10E-10	4.80E-10	4.50E-10	2.40E-10	4.10E-10
S	3.90E-10	3.70E-10	3.40E-10	3.20E-10	3.00E-10	2.90E-10	2.70E-10	2.60E-10	2.50E-10	2.30E-10
SSW	4.00E-10	3.70E-10	3.60E-10	3.40E-10	3.20E-10	3.00E-10	2.80E-10	2.70E-10	2.40E-10	2.40E-10
SW	3.90E-10	3.60E-10	3.40E-10	3.20E-10	3.00E-10	2.80E-10	2.70E-10	2.50E-10	2.00E-10	2.30E-10
WSW	3.20E-10	3.00E-10	2.80E-10	2.70E-10	2.50E-10	2.40E-10	2.20E-10	2.10E-10	2.40E-10	1.90E-10
W	3.60E-10	3.40E-10	3.30E-10	3.10E-10	2.90E-10	2.80E-10	2.60E-10	2.50E-10	2.70E-10	2.30E-10
WNW	4.00E-10	3.70E-10	3.50E-10	3.30E-10	3.10E-10	3.00E-10	2.80E-10	2.70E-10	2.70E-10	2.50E-10
NW	4.40E-10	4.10E-10	3.90E-10	3.60E-10	3.40E-10	3.20E-10	3.00E-10	2.90E-10	2.50E-10	2.60E-10
NNW	4.00E-10	3.70E-10	3.50E-10	3.30E-10	3.10E-10	2.90E-10	2.70E-10	2.60E-10	3.30E-10	2.30E-10

Period of record: 1/1/2016 to 12/31/2020

*Measured relative to the Reactor Vent.

MONTICELLO NUCLEAR GENERATING PLANT	ODCM-APP-A
APPENDIX A	Revision 7
	Page 20 of 109

Table 5 Monticello Reactor Vent Dispersion Parameters for Long Term Mixed Mode Releases
> 500 Hrs/Yr or >150 Hrs/Qtr (cont'd)

For Standard Distances (As Measured from the Reactor Vent) (D/Q), m⁻²

Sector*	Distance in Miles from Vent									
	4.1	4.2	4.3	4.4	4.5	4.6	4.7	4.8	4.9	5.0
N	3.10E-10	3.00E-10	2.90E-10	2.80E-10	2.70E-10	2.60E-10	2.50E-10	2.40E-10	2.40E-10	2.30E-10
NNE	2.70E-10	2.60E-10	2.50E-10	2.40E-10	2.30E-10	2.20E-10	2.10E-10	2.00E-10	1.90E-10	1.90E-10
NE	1.80E-10	1.70E-10	1.60E-10	1.50E-10	1.50E-10	1.40E-10	1.30E-10	1.30E-10	1.20E-10	1.20E-10
ENE	1.40E-10	1.30E-10	1.30E-10	1.20E-10	1.10E-10	1.10E-10	1.10E-10	1.00E-10	9.90E-11	9.50E-11
E	3.10E-10	3.00E-10	2.80E-10	2.70E-10	2.60E-10	2.50E-10	2.30E-10	2.20E-10	2.10E-10	2.10E-10
ESE	2.80E-10	2.70E-10	2.50E-10	2.40E-10	2.30E-10	2.20E-10	2.10E-10	2.00E-10	1.90E-10	1.80E-10
SE	4.30E-10	4.10E-10	3.90E-10	3.70E-10	3.60E-10	3.40E-10	3.30E-10	3.20E-10	3.00E-10	2.90E-10
SSE	3.90E-10	3.70E-10	3.50E-10	3.40E-10	3.20E-10	3.10E-10	2.90E-10	2.80E-10	2.70E-10	2.60E-10
S	2.20E-10	2.10E-10	2.00E-10	1.90E-10	1.90E-10	1.80E-10	1.70E-10	1.70E-10	1.60E-10	1.60E-10
SSW	2.30E-10	2.20E-10	2.10E-10	2.00E-10	1.90E-10	1.80E-10	1.80E-10	1.70E-10	1.60E-10	1.60E-10
SW	2.20E-10	2.10E-10	2.00E-10	1.90E-10	1.80E-10	1.80E-10	1.70E-10	1.60E-10	1.60E-10	1.50E-10
WSW	1.80E-10	1.80E-10	1.70E-10	1.60E-10	1.50E-10	1.50E-10	1.40E-10	1.40E-10	1.30E-10	1.30E-10
W	2.20E-10	2.10E-10	2.00E-10	1.90E-10	1.80E-10	1.80E-10	1.70E-10	1.60E-10	1.60E-10	1.50E-10
WNW	2.40E-10	2.40E-10	2.30E-10	2.20E-10	2.20E-10	2.10E-10	2.00E-10	1.90E-10	1.90E-10	1.80E-10
NW	2.40E-10	2.30E-10	2.20E-10	2.10E-10	2.00E-10	1.90E-10	1.80E-10	1.80E-10	1.70E-10	1.60E-10
NNW	2.20E-10	2.20E-10	2.10E-10	2.00E-10	1.90E-10	1.90E-10	1.80E-10	1.70E-10	1.70E-10	1.60E-10

Period of record: 1/1/2016 to 12/31/2020

*Measured relative to the Reactor Vent.

MONTICELLO NUCLEAR GENERATING PLANT	ODCM-APP-A
APPENDIX A	Revision 7
	Page 21 of 109

Table 5 Monticello Reactor Vent Dispersion Parameters for Long Term Mixed Mode Releases
> 500 Hrs/Yr or >150 Hrs/Qtr (cont'd)

For Standard Distances (As Measured from the Reactor Vent) (D/Q), m⁻²

Sector*	Distance in Miles from Vent									
	7.5	10	15	20	25	30	35	40	45	50
N	1.40E-10	9.70E-11	5.90E-11	3.60E-11	2.30E-11	1.60E-11	1.20E-11	9.60E-12	7.70E-12	6.30E-12
NNE	1.20E-10	9.20E-11	5.50E-11	3.60E-11	2.40E-11	1.70E-11	1.10E-11	8.80E-12	7.00E-12	5.80E-12
NE	5.90E-11	5.50E-11	3.80E-11	2.80E-11	1.90E-11	1.30E-11	9.90E-12	7.60E-12	6.10E-12	4.90E-12
ENE	5.60E-11	5.40E-11	3.30E-11	2.00E-11	1.30E-11	9.50E-12	7.10E-12	5.60E-12	4.50E-12	3.70E-12
E	9.50E-11	5.70E-11	5.00E-11	3.20E-11	2.10E-11	1.50E-11	1.10E-11	8.90E-12	7.10E-12	5.80E-12
ESE	8.40E-11	5.90E-11	3.50E-11	2.20E-11	1.50E-11	1.10E-11	8.50E-12	6.70E-12	6.00E-12	4.90E-12
SE	1.60E-10	1.00E-10	5.60E-11	3.50E-11	2.40E-11	1.70E-11	1.30E-11	9.90E-12	8.00E-12	6.50E-12
SSE	1.50E-10	9.70E-11	5.40E-11	3.40E-11	2.40E-11	1.70E-11	1.30E-11	1.00E-11	8.10E-12	6.60E-12
S	9.30E-11	6.20E-11	3.60E-11	2.30E-11	1.60E-11	1.10E-11	8.50E-12	6.60E-12	5.30E-12	4.40E-12
SSW	8.30E-11	5.50E-11	3.10E-11	2.00E-11	1.40E-11	9.90E-12	7.50E-12	5.80E-12	4.70E-12	3.80E-12
SW	8.40E-11	5.40E-11	2.90E-11	2.00E-11	1.30E-11	9.20E-12	6.90E-12	5.40E-12	4.40E-12	3.60E-12
WSW	7.10E-11	4.80E-11	2.80E-11	1.70E-11	1.10E-11	8.20E-12	6.20E-12	4.80E-12	4.00E-12	3.30E-12
W	8.30E-11	5.60E-11	3.20E-11	2.00E-11	1.40E-11	1.00E-11	7.70E-12	6.00E-12	4.80E-12	3.90E-12
WNW	1.00E-10	7.10E-11	4.20E-11	2.50E-11	1.70E-11	1.30E-11	9.50E-12	7.40E-12	5.90E-12	4.80E-12
NW	1.10E-10	8.50E-11	5.10E-11	3.30E-11	2.20E-11	1.40E-11	1.10E-11	8.60E-12	6.90E-12	5.60E-12
NNW	1.00E-10	7.80E-11	4.70E-11	2.90E-11	1.80E-11	1.30E-11	1.00E-11	7.80E-12	6.20E-12	5.10E-12

Period of record: 1/1/2016 to 12/31/2020

*Measured relative to the Reactor Vent.

Table 6 Monticello Offgas Stack Dispersion Parameters for Long Term Elevated Releases
> 500 Hrs/Yr or >150 Hrs/Qtr

Site Boundary Sector*	χ/Q (sec/m ³)	D/Q (m ⁻²)
N	5.80E-08	4.00E-09
NNE	6.10E-08	3.90E-09
NE	4.90E-08	2.50E-09
ENE	4.10E-08	1.50E-09
E	2.00E-08	2.20E-09
ESE	2.00E-08	2.20E-09
SE	4.50E-08	3.50E-09
SSE	1.90E-08	2.00E-09
S	1.40E-08	1.90E-09
SSW	1.60E-08	1.80E-09
SW	1.60E-08	1.80E-09
WSW	1.60E-08	1.50E-09
W	1.90E-08	1.10E-09
WNW	6.10E-08	3.00E-09
NW	4.90E-08	3.50E-09
NNW	5.10E-08	3.40E-09

Period of record: 1/1/2016 to 12/31/2020

*Measured relative to the Reactor Vent.

Table 7 Monticello Offgas Stack Dispersion Parameters for Long Term Elevated Releases
> 500 Hrs/Yr or >150 Hrs/Qtr

For Standard Distances (As Measured from the Offgas Stack) (χ/Q), sec/m^{3**}

Sector*	Distance in Miles from Stack									
	0.1	0.2	0.3	0.4	0.5	0.6	0.7	0.8	0.9	1.0
N	8.00E-12	2.00E-08	4.00E-08	4.90E-08	5.40E-08	5.90E-08	6.70E-08	7.30E-08	7.60E-08	7.80E-08
NNE	2.90E-12	8.40E-09	2.00E-08	3.00E-08	3.80E-08	4.50E-08	5.30E-08	5.80E-08	6.00E-08	6.20E-08
NE	5.90E-13	2.50E-09	1.10E-08	1.90E-08	2.50E-08	3.20E-08	4.00E-08	4.70E-08	5.10E-08	5.30E-08
ENE	5.30E-13	2.40E-09	8.50E-09	1.50E-08	2.10E-08	2.70E-08	3.50E-08	4.10E-08	4.50E-08	4.70E-08
E	5.10E-13	1.70E-09	7.00E-09	1.40E-08	2.00E-08	2.80E-08	3.70E-08	4.60E-08	5.10E-08	5.50E-08
ESE	1.10E-12	3.40E-09	1.00E-08	1.90E-08	2.90E-08	4.00E-08	5.40E-08	6.70E-08	7.40E-08	7.90E-08
SE	2.80E-12	8.50E-09	2.50E-08	3.80E-08	4.60E-08	5.60E-08	7.00E-08	8.30E-08	9.10E-08	9.70E-08
SSE	4.70E-12	1.20E-08	2.60E-08	3.70E-08	4.50E-08	5.40E-08	6.80E-08	8.00E-08	8.60E-08	9.00E-08
S	1.80E-12	5.40E-09	1.40E-08	2.10E-08	2.70E-08	3.40E-08	4.50E-08	5.40E-08	6.00E-08	6.30E-08
SSW	2.00E-12	6.40E-09	1.40E-08	1.90E-08	2.50E-08	3.20E-08	4.10E-08	5.10E-08	5.60E-08	6.00E-08
SW	1.70E-12	6.50E-09	1.40E-08	2.00E-08	2.50E-08	3.20E-08	4.20E-08	5.20E-08	5.70E-08	6.20E-08
WSW	1.90E-12	6.40E-09	1.30E-08	1.70E-08	2.00E-08	2.50E-08	3.40E-08	4.30E-08	4.90E-08	5.40E-08
W	4.20E-13	3.00E-09	8.90E-09	1.30E-08	1.60E-08	2.10E-08	2.90E-08	3.80E-08	4.40E-08	4.90E-08
WNW	1.30E-12	6.00E-09	1.50E-08	2.10E-08	2.60E-08	3.10E-08	3.70E-08	4.30E-08	4.50E-08	4.90E-08
NW	5.50E-12	1.70E-08	3.50E-08	4.40E-08	4.80E-08	5.20E-08	5.70E-08	6.00E-08	6.10E-08	6.10E-08
NNW	7.20E-12	2.00E-08	3.60E-08	4.10E-08	4.60E-08	5.10E-08	5.90E-08	6.50E-08	6.70E-08	6.90E-08

Period of record: 1/1/2016 to 12/31/2020

* Measured relative to the Offgas Stack.

** For distances between the standard distances, use the more conservative value.

MONTICELLO NUCLEAR GENERATING PLANT	ODCM-APP-A
APPENDIX A	Revision 7
	Page 24 of 109

Table 7 Monticello Offgas Stack Dispersion Parameters for Long Term Elevated Releases
> 500 Hrs/Yr or >150 Hrs/Qtr (cont'd)

For Standard Distances (As Measured from the Offgas Stack) (χ/Q), sec/m³

Sector*	Distance in Miles from Stack									
	1.1	1.2	1.3	1.4	1.5	1.6	1.7	1.8	1.9	2.0
N	7.90E-08	7.90E-08	7.90E-08	7.80E-08	7.60E-08	7.40E-08	7.20E-08	6.90E-08	6.70E-08	6.50E-08
NNE	6.20E-08	6.10E-08	6.10E-08	5.90E-08	5.80E-08	5.60E-08	5.40E-08	5.30E-08	5.10E-08	4.90E-08
NE	5.40E-08	5.40E-08	5.40E-08	5.30E-08	5.20E-08	5.00E-08	4.80E-08	4.70E-08	4.50E-08	4.30E-08
ENE	4.80E-08	4.90E-08	4.80E-08	4.70E-08	4.60E-08	4.50E-08	4.30E-08	4.20E-08	4.00E-08	3.90E-08
E	5.80E-08	6.00E-08	6.10E-08	6.10E-08	6.00E-08	5.90E-08	5.80E-08	5.60E-08	5.50E-08	5.30E-08
ESE	8.10E-08	8.20E-08	8.10E-08	8.00E-08	7.80E-08	7.50E-08	7.30E-08	7.00E-08	6.70E-08	6.50E-08
SE	1.00E-07	1.10E-07	1.10E-07	1.10E-07	1.10E-07	1.00E-07	1.00E-07	9.90E-08	9.60E-08	9.30E-08
SSE	9.10E-08	9.10E-08	9.00E-08	8.80E-08	8.50E-08	8.20E-08	7.90E-08	7.60E-08	7.30E-08	7.00E-08
S	6.50E-08	6.60E-08	6.50E-08	6.40E-08	6.20E-08	6.10E-08	5.90E-08	5.60E-08	5.40E-08	5.20E-08
SSW	6.30E-08	6.40E-08	6.40E-08	6.40E-08	6.30E-08	6.10E-08	5.90E-08	5.70E-08	5.60E-08	5.40E-08
SW	6.50E-08	6.70E-08	6.80E-08	6.70E-08	6.60E-08	6.50E-08	6.30E-08	6.20E-08	6.00E-08	5.80E-08
WSW	5.80E-08	6.00E-08	6.20E-08	6.20E-08	6.10E-08	6.10E-08	5.90E-08	5.80E-08	5.60E-08	5.50E-08
W	5.30E-08	5.50E-08	5.60E-08	5.70E-08	5.70E-08	5.60E-08	5.50E-08	5.40E-08	5.20E-08	5.10E-08
WNW	5.10E-08	5.30E-08	5.40E-08	5.50E-08	5.50E-08	5.40E-08	5.30E-08	5.20E-08	5.10E-08	5.00E-08
NW	6.20E-08	6.20E-08	6.20E-08	6.10E-08	5.90E-08	5.80E-08	5.60E-08	5.50E-08	5.30E-08	5.10E-08
NNW	7.00E-08	7.00E-08	7.00E-08	6.90E-08	6.70E-08	6.50E-08	6.40E-08	6.10E-08	5.90E-08	5.70E-08

Period of record: 1/1/2016 to 12/31/2020

* Measured relative to the Offgas Stack.

** For distances between the standard distances, use the more conservative value.

Table 7 Monticello Offgas Stack Dispersion Parameters for Long Term Elevated Releases
> 500 Hrs/Yr or >150 Hrs/Qtr (cont'd)

For Standard Distances (As Measured from the Offgas Stack) (χ/Q), sec/m³

Sector*	Distance in Miles from Stack									
	2.1	2.2	2.3	2.4	2.5	2.6	2.7	2.8	2.9	3.0
N	6.20E-08	6.00E-08	5.80E-08	5.60E-08	5.40E-08	5.20E-08	5.00E-08	4.80E-08	4.70E-08	4.50E-08
NNE	4.70E-08	4.50E-08	4.30E-08	4.20E-08	4.00E-08	3.90E-08	3.70E-08	3.60E-08	3.50E-08	3.30E-08
NE	4.20E-08	4.00E-08	3.80E-08	3.70E-08	3.50E-08	3.40E-08	3.30E-08	3.10E-08	3.00E-08	2.90E-08
ENE	3.70E-08	3.60E-08	3.40E-08	3.30E-08	3.20E-08	3.10E-08	2.90E-08	2.80E-08	2.70E-08	2.60E-08
E	5.10E-08	5.00E-08	4.80E-08	4.60E-08	4.40E-08	4.30E-08	4.10E-08	4.00E-08	3.80E-08	3.70E-08
ESE	6.20E-08	5.90E-08	5.70E-08	5.50E-08	5.20E-08	5.00E-08	4.80E-08	4.60E-08	4.40E-08	4.30E-08
SE	8.90E-08	8.60E-08	8.30E-08	8.00E-08	7.80E-08	7.50E-08	7.20E-08	7.00E-08	6.70E-08	6.50E-08
SSE	6.70E-08	6.40E-08	6.10E-08	5.80E-08	5.60E-08	5.40E-08	5.10E-08	4.90E-08	4.70E-08	4.60E-08
S	5.00E-08	4.80E-08	4.60E-08	4.40E-08	4.20E-08	4.10E-08	3.90E-08	3.80E-08	3.60E-08	3.50E-08
SSW	5.20E-08	5.00E-08	4.80E-08	4.60E-08	4.40E-08	4.30E-08	4.10E-08	3.90E-08	3.80E-08	3.70E-08
SW	5.60E-08	5.40E-08	5.20E-08	5.00E-08	4.80E-08	4.60E-08	4.40E-08	4.30E-08	4.10E-08	4.00E-08
WSW	5.30E-08	5.10E-08	4.90E-08	4.80E-08	4.60E-08	4.40E-08	4.30E-08	4.10E-08	4.00E-08	3.90E-08
W	4.90E-08	4.80E-08	4.60E-08	4.50E-08	4.30E-08	4.20E-08	4.00E-08	3.90E-08	3.80E-08	3.60E-08
WNW	4.90E-08	4.70E-08	4.60E-08	4.40E-08	4.30E-08	4.20E-08	4.00E-08	3.90E-08	3.80E-08	3.70E-08
NW	4.90E-08	4.80E-08	4.60E-08	4.40E-08	4.30E-08	4.10E-08	4.00E-08	3.80E-08	3.70E-08	3.60E-08
NNW	5.50E-08	5.30E-08	5.10E-08	4.90E-08	4.70E-08	4.60E-08	4.40E-08	4.20E-08	4.10E-08	3.90E-08

Period of record: 1/1/2016 to 12/31/2020

* Measured relative to the Offgas Stack.

** For distances between the standard distances, use the more conservative value.

MONTICELLO NUCLEAR GENERATING PLANT	ODCM-APP-A
APPENDIX A	Revision 7
	Page 26 of 109

Table 7 Monticello Offgas Stack Dispersion Parameters for Long Term Elevated Releases
> 500 Hrs/Yr or >150 Hrs/Qtr (cont'd)

For Standard Distances (As Measured from the Offgas Stack) (χ/Q), sec/m³

Sector*	Distance in Miles from Stack									
	3.1	3.2	3.3	3.4	3.5	3.6	3.7	3.8	3.9	4.0
N	4.40E-08	4.20E-08	4.10E-08	4.00E-08	3.80E-08	3.70E-08	3.60E-08	3.50E-08	3.40E-08	3.30E-08
NNE	3.20E-08	3.10E-08	3.00E-08	2.90E-08	2.80E-08	2.70E-08	2.60E-08	2.60E-08	2.50E-08	2.40E-08
NE	2.80E-08	2.70E-08	2.60E-08	2.50E-08	2.40E-08	2.40E-08	2.30E-08	2.20E-08	2.10E-08	2.10E-08
ENE	2.50E-08	2.40E-08	2.40E-08	2.30E-08	2.20E-08	2.10E-08	2.10E-08	2.00E-08	1.90E-08	1.90E-08
E	3.60E-08	3.50E-08	3.40E-08	3.20E-08	3.10E-08	3.00E-08	2.90E-08	2.90E-08	2.80E-08	2.70E-08
ESE	4.10E-08	4.00E-08	3.80E-08	3.70E-08	3.50E-08	3.40E-08	3.30E-08	3.20E-08	3.10E-08	3.00E-08
SE	6.30E-08	6.10E-08	5.90E-08	5.70E-08	5.50E-08	5.30E-08	5.10E-08	5.00E-08	4.80E-08	4.70E-08
SSE	4.40E-08	4.20E-08	4.10E-08	3.90E-08	3.80E-08	3.60E-08	3.50E-08	3.40E-08	3.30E-08	3.20E-08
S	3.30E-08	3.20E-08	3.10E-08	3.00E-08	2.90E-08	2.80E-08	2.70E-08	2.60E-08	2.50E-08	2.40E-08
SSW	3.50E-08	3.40E-08	3.30E-08	3.20E-08	3.10E-08	3.00E-08	2.90E-08	2.80E-08	2.70E-08	2.60E-08
SW	3.80E-08	3.70E-08	3.60E-08	3.50E-08	3.40E-08	3.30E-08	3.20E-08	3.10E-08	3.00E-08	2.90E-08
WSW	3.70E-08	3.60E-08	3.50E-08	3.40E-08	3.30E-08	3.20E-08	3.10E-08	3.00E-08	2.90E-08	2.80E-08
W	3.50E-08	3.40E-08	3.30E-08	3.20E-08	3.10E-08	3.00E-08	2.90E-08	2.80E-08	2.80E-08	2.70E-08
WNW	3.60E-08	3.40E-08	3.30E-08	3.20E-08	3.10E-08	3.10E-08	3.00E-08	2.90E-08	2.80E-08	2.70E-08
NW	3.50E-08	3.40E-08	3.20E-08	3.10E-08	3.00E-08	2.90E-08	2.90E-08	2.80E-08	2.70E-08	2.60E-08
NNW	3.80E-08	3.70E-08	3.60E-08	3.40E-08	3.30E-08	3.20E-08	3.10E-08	3.00E-08	2.90E-08	2.90E-08

Period of record: 1/1/2016 to 12/31/2020

* Measured relative to the Offgas Stack.

** For distances between the standard distances, use the more conservative value.

Table 7 Monticello Offgas Stack Dispersion Parameters for Long Term Elevated Releases
> 500 Hrs/Yr or >150 Hrs/Qtr (cont'd)

For Standard Distances (As Measured from the Offgas Stack) (χ/Q), sec/m³

Sector*	Distance in Miles from Stack									
	4.1	4.2	4.3	4.4	4.5	4.6	4.7	4.8	4.9	5.0
N	3.20E-08	3.10E-08	3.00E-08	3.00E-08	2.90E-08	2.80E-08	2.80E-08	2.70E-08	2.60E-08	2.60E-08
NNE	2.30E-08	2.30E-08	2.20E-08	2.20E-08	2.10E-08	2.00E-08	2.00E-08	1.90E-08	1.90E-08	1.90E-08
NE	2.00E-08	2.00E-08	1.90E-08	1.80E-08	1.80E-08	1.70E-08	1.70E-08	1.70E-08	1.60E-08	1.60E-08
ENE	1.80E-08	1.80E-08	1.70E-08	1.70E-08	1.60E-08	1.60E-08	1.50E-08	1.50E-08	1.50E-08	1.40E-08
E	2.60E-08	2.50E-08	2.50E-08	2.40E-08	2.30E-08	2.30E-08	2.20E-08	2.20E-08	2.10E-08	2.00E-08
ESE	2.90E-08	2.80E-08	2.70E-08	2.60E-08	2.60E-08	2.50E-08	2.40E-08	2.40E-08	2.30E-08	2.20E-08
SE	4.60E-08	4.40E-08	4.30E-08	4.20E-08	4.10E-08	4.00E-08	3.90E-08	3.80E-08	3.70E-08	3.60E-08
SSE	3.10E-08	3.00E-08	2.90E-08	2.80E-08	2.70E-08	2.70E-08	2.60E-08	2.50E-08	2.40E-08	2.40E-08
S	2.40E-08	2.30E-08	2.20E-08	2.20E-08	2.10E-08	2.00E-08	2.00E-08	1.90E-08	1.90E-08	1.80E-08
SSW	2.60E-08	2.50E-08	2.40E-08	2.30E-08	2.30E-08	2.20E-08	2.20E-08	2.10E-08	2.10E-08	2.00E-08
SW	2.80E-08	2.70E-08	2.60E-08	2.60E-08	2.50E-08	2.40E-08	2.40E-08	2.30E-08	2.30E-08	2.20E-08
WSW	2.70E-08	2.70E-08	2.60E-08	2.50E-08	2.50E-08	2.40E-08	2.30E-08	2.30E-08	2.20E-08	2.20E-08
W	2.60E-08	2.50E-08	2.50E-08	2.40E-08	2.40E-08	2.30E-08	2.20E-08	2.20E-08	2.10E-08	2.10E-08
WNW	2.70E-08	2.60E-08	2.50E-08	2.50E-08	2.40E-08	2.30E-08	2.30E-08	2.20E-08	2.20E-08	2.10E-08
NW	2.50E-08	2.50E-08	2.40E-08	2.30E-08	2.30E-08	2.20E-08	2.20E-08	2.10E-08	2.10E-08	2.00E-08
NNW	2.80E-08	2.70E-08	2.60E-08	2.60E-08	2.50E-08	2.40E-08	2.40E-08	2.30E-08	2.20E-08	2.20E-08

Period of record: 1/1/2016 to 12/31/2020

* Measured relative to the Offgas Stack.

** For distances between the standard distances, use the more conservative value.

Table 7 Monticello Offgas Stack Dispersion Parameters for Long Term Elevated Releases
> 500 Hrs/Yr or >150 Hrs/Qtr (cont'd)

For Standard Distances (As Measured from the Offgas Stack) (χ/Q), sec/m³

Sector*	Distance in Miles from Stack									
	7.5	10	15	20	25	30	35	40	45	50
N	1.60E-08	1.10E-08	6.70E-09	5.20E-09	4.50E-09	4.00E-09	3.40E-09	2.90E-09	2.40E-09	2.10E-09
NNE	1.20E-08	8.20E-09	5.20E-09	3.80E-09	3.10E-09	2.60E-09	2.40E-09	2.30E-09	2.10E-09	1.90E-09
NE	9.70E-09	7.00E-09	4.50E-09	3.20E-09	2.50E-09	2.00E-09	1.70E-09	1.40E-09	1.20E-09	1.10E-09
ENE	8.90E-09	6.60E-09	4.90E-09	3.80E-09	2.90E-09	2.30E-09	1.90E-09	1.60E-09	1.40E-09	1.20E-09
E	1.30E-08	8.80E-09	6.60E-09	5.20E-09	3.90E-09	3.10E-09	2.50E-09	2.10E-09	1.80E-09	1.60E-09
ESE	1.40E-08	9.70E-09	6.00E-09	4.20E-09	3.10E-09	2.50E-09	2.00E-09	1.70E-09	1.50E-09	1.40E-09
SE	2.10E-08	1.40E-08	8.40E-09	5.70E-09	4.30E-09	3.30E-09	2.70E-09	2.30E-09	2.00E-09	1.70E-09
SSE	1.40E-08	9.90E-09	6.10E-09	4.40E-09	3.30E-09	2.60E-09	2.10E-09	1.80E-09	1.50E-09	1.30E-09
S	1.10E-08	7.70E-09	4.70E-09	3.20E-09	2.40E-09	1.90E-09	1.60E-09	1.40E-09	1.20E-09	1.00E-09
SSW	1.20E-08	8.10E-09	4.90E-09	3.40E-09	2.60E-09	2.00E-09	1.70E-09	1.40E-09	1.20E-09	1.00E-09
SW	1.30E-08	8.90E-09	5.30E-09	3.70E-09	2.80E-09	2.20E-09	1.80E-09	1.60E-09	1.40E-09	1.20E-09
WSW	1.40E-08	9.40E-09	6.00E-09	4.60E-09	3.60E-09	2.80E-09	2.30E-09	2.00E-09	1.80E-09	1.60E-09
W	1.30E-08	8.70E-09	5.60E-09	4.50E-09	3.70E-09	3.00E-09	2.40E-09	2.00E-09	1.70E-09	1.50E-09
WNW	1.30E-08	8.90E-09	5.70E-09	4.50E-09	3.90E-09	3.30E-09	2.70E-09	2.30E-09	2.00E-09	1.70E-09
NW	1.20E-08	8.90E-09	5.70E-09	4.10E-09	3.20E-09	2.90E-09	2.80E-09	2.40E-09	2.10E-09	1.80E-09
NNW	1.40E-08	9.50E-09	6.30E-09	4.90E-09	4.20E-09	3.50E-09	2.90E-09	2.40E-09	2.10E-09	1.80E-09

Period of record: 1/1/2016 to 12/31/2020

* Measured relative to the Offgas Stack.

** For distances between the standard distances, use the more conservative value.

Table 8 Monticello Offgas Stack Dispersion Parameters for Long Term Elevated Releases
> 500 Hrs/Yr or >150 Hrs/Qtr

For Standard Distances (As Measured from the Offgas Stack) (D/Q), m⁻²

Sector*	Distance in Miles from Stack									
	0.1	0.2	0.3	0.4	0.5	0.6	0.7	0.8	0.9	1.0
N	1.10E-09	3.90E-09	5.10E-09	4.70E-09	4.20E-09	3.90E-09	3.70E-09	3.40E-09	3.00E-09	2.50E-09
NNE	7.50E-10	2.60E-09	3.30E-09	3.10E-09	2.80E-09	2.60E-09	2.50E-09	2.30E-09	2.00E-09	1.70E-09
NE	4.40E-10	1.50E-09	2.00E-09	1.90E-09	1.80E-09	1.70E-09	1.70E-09	1.60E-09	1.50E-09	1.30E-09
ENE	3.90E-10	1.30E-09	1.80E-09	1.70E-09	1.60E-09	1.50E-09	1.50E-09	1.40E-09	1.30E-09	1.10E-09
E	4.80E-10	1.70E-09	2.30E-09	2.20E-09	2.20E-09	2.30E-09	2.40E-09	2.40E-09	2.30E-09	2.00E-09
ESE	6.90E-10	2.40E-09	3.20E-09	3.10E-09	3.10E-09	3.10E-09	3.20E-09	3.20E-09	3.00E-09	2.70E-09
SE	1.00E-09	3.50E-09	4.70E-09	4.50E-09	4.40E-09	4.40E-09	4.50E-09	4.40E-09	4.10E-09	3.60E-09
SSE	8.60E-10	3.00E-09	3.90E-09	3.70E-09	3.50E-09	3.40E-09	3.40E-09	3.30E-09	3.00E-09	2.60E-09
S	4.50E-10	1.60E-09	2.10E-09	2.00E-09	2.00E-09	1.90E-09	2.00E-09	1.90E-09	1.80E-09	1.60E-09
SSW	4.10E-10	1.40E-09	1.90E-09	1.80E-09	1.80E-09	1.80E-09	1.80E-09	1.80E-09	1.70E-09	1.50E-09
SW	3.90E-10	1.40E-09	1.80E-09	1.80E-09	1.80E-09	1.80E-09	1.90E-09	1.90E-09	1.80E-09	1.60E-09
WSW	3.20E-10	1.10E-09	1.50E-09	1.50E-09	1.50E-09	1.50E-09	1.60E-09	1.60E-09	1.50E-09	1.30E-09
W	2.10E-10	7.40E-10	1.00E-09	1.00E-09	1.00E-09	1.10E-09	1.20E-09	1.20E-09	1.20E-09	1.00E-09
WNW	4.50E-10	1.50E-09	2.00E-09	2.00E-09	1.90E-09	1.90E-09	1.90E-09	1.80E-09	1.70E-09	1.50E-09
NW	9.40E-10	3.20E-09	4.20E-09	3.90E-09	3.50E-09	3.30E-09	3.20E-09	2.90E-09	2.60E-09	2.20E-09
NNW	9.50E-10	3.30E-09	4.30E-09	3.90E-09	3.60E-09	3.40E-09	3.30E-09	3.00E-09	2.70E-09	2.30E-09

Period of record: 1/1/2016 to 12/31/2020

* Measured relative to the Offgas Stack.

Table 8 Monticello Offgas Stack Dispersion Parameters for Long Term Elevated Releases
> 500 Hrs/Yr or >150 Hrs/Qtr (cont'd)

For Standard Distances (As Measured from the Offgas Stack) (D/Q), m⁻²

Sector*	Distance in Miles from Stack									
	1.1	1.2	1.3	1.4	1.5	1.6	1.7	1.8	1.9	2.0
N	2.20E-09	1.80E-09	1.60E-09	1.40E-09	1.20E-09	1.10E-09	9.90E-10	9.00E-10	8.40E-10	7.70E-10
NNE	1.40E-09	1.20E-09	1.10E-09	9.50E-10	8.40E-10	7.50E-10	6.70E-10	6.10E-10	5.70E-10	5.20E-10
NE	1.10E-09	9.90E-10	8.70E-10	7.70E-10	6.90E-10	6.20E-10	5.60E-10	5.10E-10	4.70E-10	4.40E-10
ENE	9.70E-10	8.50E-10	7.50E-10	6.60E-10	5.90E-10	5.30E-10	4.80E-10	4.30E-10	4.10E-10	3.70E-10
E	1.80E-09	1.60E-09	1.40E-09	1.30E-09	1.10E-09	1.00E-09	9.30E-10	8.50E-10	7.90E-10	7.30E-10
ESE	2.30E-09	2.10E-09	1.80E-09	1.60E-09	1.50E-09	1.30E-09	1.20E-09	1.10E-09	1.00E-09	9.50E-10
SE	3.20E-09	2.80E-09	2.50E-09	2.20E-09	2.00E-09	1.80E-09	1.60E-09	1.50E-09	1.40E-09	1.30E-09
SSE	2.30E-09	2.00E-09	1.70E-09	1.50E-09	1.40E-09	1.20E-09	1.10E-09	1.00E-09	9.50E-10	8.80E-10
S	1.40E-09	1.20E-09	1.10E-09	9.60E-10	8.60E-10	7.80E-10	7.10E-10	6.40E-10	6.00E-10	5.50E-10
SSW	1.30E-09	1.20E-09	1.00E-09	9.10E-10	8.20E-10	7.40E-10	6.70E-10	6.10E-10	5.70E-10	5.30E-10
SW	1.40E-09	1.20E-09	1.10E-09	9.70E-10	8.70E-10	7.90E-10	7.20E-10	6.50E-10	6.10E-10	5.60E-10
WSW	1.20E-09	1.00E-09	9.10E-10	8.10E-10	7.30E-10	6.60E-10	6.00E-10	5.50E-10	5.10E-10	4.70E-10
W	9.00E-10	8.00E-10	7.10E-10	6.40E-10	5.80E-10	5.30E-10	4.80E-10	4.40E-10	4.10E-10	3.80E-10
WNW	1.30E-09	1.10E-09	9.90E-10	8.90E-10	7.90E-10	7.20E-10	6.50E-10	5.90E-10	5.50E-10	5.10E-10
NW	1.90E-09	1.60E-09	1.40E-09	1.30E-09	1.10E-09	1.00E-09	8.90E-10	8.10E-10	7.50E-10	6.90E-10
NNW	2.00E-09	1.70E-09	1.50E-09	1.30E-09	1.20E-09	1.00E-09	9.30E-10	8.40E-10	7.90E-10	7.20E-10

Period of record: 1/1/2016 to 12/31/2020

* Measured relative to the Offgas Stack.

MONTICELLO NUCLEAR GENERATING PLANT	ODCM-APP-A
APPENDIX A	Revision 7
	Page 31 of 109

Table 8 Monticello Offgas Stack Dispersion Parameters for Long Term Elevated Releases
> 500 Hrs/Yr or >150 Hrs/Qtr (cont'd)

For Standard Distances (As Measured from the Offgas Stack) (D/Q), m⁻²

Sector*	Distance in Miles from Stack									
	2.1	2.2	2.3	2.4	2.5	2.6	2.7	2.8	2.9	3.0
N	7.10E-10	6.50E-10	6.00E-10	5.60E-10	5.20E-10	4.80E-10	4.50E-10	4.20E-10	4.00E-10	3.70E-10
NNE	4.80E-10	4.40E-10	4.10E-10	3.80E-10	3.50E-10	3.30E-10	3.10E-10	2.90E-10	2.70E-10	2.50E-10
NE	4.00E-10	3.70E-10	3.50E-10	3.20E-10	3.00E-10	2.80E-10	2.60E-10	2.50E-10	2.30E-10	2.20E-10
ENE	3.40E-10	3.20E-10	3.00E-10	2.70E-10	2.60E-10	2.40E-10	2.20E-10	2.10E-10	2.00E-10	1.90E-10
E	6.80E-10	6.30E-10	5.80E-10	5.40E-10	5.10E-10	4.70E-10	4.40E-10	4.20E-10	3.90E-10	3.70E-10
ESE	8.80E-10	8.10E-10	7.50E-10	7.00E-10	6.60E-10	6.10E-10	5.70E-10	5.40E-10	5.10E-10	4.80E-10
SE	1.20E-09	1.10E-09	1.00E-09	9.30E-10	8.70E-10	8.10E-10	7.60E-10	7.10E-10	6.70E-10	6.30E-10
SSE	8.10E-10	7.50E-10	7.00E-10	6.50E-10	6.00E-10	5.60E-10	5.30E-10	4.90E-10	4.60E-10	4.40E-10
S	5.10E-10	4.70E-10	4.40E-10	4.10E-10	3.80E-10	3.60E-10	3.30E-10	3.10E-10	2.90E-10	2.80E-10
SSW	4.90E-10	4.50E-10	4.20E-10	3.90E-10	3.60E-10	3.40E-10	3.20E-10	3.00E-10	2.80E-10	2.60E-10
SW	5.20E-10	4.80E-10	4.50E-10	4.20E-10	3.90E-10	3.60E-10	3.40E-10	3.20E-10	3.00E-10	2.80E-10
WSW	4.40E-10	4.10E-10	3.80E-10	3.50E-10	3.30E-10	3.10E-10	2.90E-10	2.70E-10	2.50E-10	2.40E-10
W	3.50E-10	3.20E-10	3.00E-10	2.80E-10	2.60E-10	2.40E-10	2.30E-10	2.20E-10	2.00E-10	1.90E-10
WNW	4.70E-10	4.30E-10	4.00E-10	3.70E-10	3.50E-10	3.30E-10	3.00E-10	2.90E-10	2.70E-10	2.50E-10
NW	6.40E-10	5.90E-10	5.40E-10	5.10E-10	4.70E-10	4.40E-10	4.10E-10	3.80E-10	3.60E-10	3.40E-10
NNW	6.60E-10	6.10E-10	5.70E-10	5.30E-10	4.90E-10	4.60E-10	4.30E-10	4.00E-10	3.80E-10	3.50E-10

Period of record: 1/1/2016 to 12/31/2020

* Measured relative to the Offgas Stack.

MONTICELLO NUCLEAR GENERATING PLANT	ODCM-APP-A
APPENDIX A	Revision 7
	Page 32 of 109

Table 8 Monticello Offgas Stack Dispersion Parameters for Long Term Elevated Releases
> 500 Hrs/Yr or >150 Hrs/Qtr (cont'd)

For Standard Distances (As Measured from the Offgas Stack) (D/Q), m⁻²

Sector*	Distance in Miles from Stack									
	3.1	3.2	3.3	3.4	3.5	3.6	3.7	3.8	3.9	4.0
N	3.50E-10	3.30E-10	3.10E-10	3.00E-10	2.80E-10	2.70E-10	2.50E-10	2.40E-10	2.30E-10	2.20E-10
NNE	2.40E-10	2.30E-10	2.10E-10	2.00E-10	1.90E-10	1.80E-10	1.70E-10	1.60E-10	1.50E-10	1.50E-10
NE	2.00E-10	1.90E-10	1.80E-10	1.70E-10	1.60E-10	1.50E-10	1.50E-10	1.40E-10	1.30E-10	1.30E-10
ENE	1.70E-10	1.60E-10	1.60E-10	1.50E-10	1.40E-10	1.30E-10	1.30E-10	1.20E-10	1.10E-10	1.10E-10
E	3.50E-10	3.30E-10	3.10E-10	2.90E-10	2.80E-10	2.60E-10	2.50E-10	2.40E-10	2.30E-10	2.20E-10
ESE	4.50E-10	4.20E-10	4.00E-10	3.80E-10	3.60E-10	3.40E-10	3.20E-10	3.10E-10	2.90E-10	2.80E-10
SE	5.90E-10	5.60E-10	5.30E-10	5.00E-10	4.70E-10	4.60E-10	4.40E-10	4.20E-10	4.20E-10	4.00E-10
SSE	4.10E-10	3.90E-10	3.70E-10	3.50E-10	3.30E-10	3.10E-10	3.00E-10	2.80E-10	2.70E-10	2.50E-10
S	2.60E-10	2.50E-10	2.30E-10	2.20E-10	2.10E-10	2.00E-10	1.90E-10	1.80E-10	1.70E-10	1.60E-10
SSW	2.50E-10	2.30E-10	2.20E-10	2.10E-10	2.00E-10	1.90E-10	1.80E-10	1.70E-10	1.60E-10	1.60E-10
SW	2.70E-10	2.60E-10	2.40E-10	2.40E-10	2.40E-10	2.30E-10	2.10E-10	2.20E-10	2.00E-10	1.90E-10
WSW	2.20E-10	2.10E-10	2.00E-10	1.90E-10	1.80E-10	1.70E-10	1.60E-10	1.60E-10	1.60E-10	1.50E-10
W	1.80E-10	1.70E-10	1.60E-10	1.50E-10	1.40E-10	1.40E-10	1.30E-10	1.20E-10	1.20E-10	1.10E-10
WNW	2.40E-10	2.20E-10	2.10E-10	2.00E-10	1.90E-10	1.80E-10	1.70E-10	1.60E-10	1.50E-10	1.50E-10
NW	3.20E-10	3.00E-10	2.80E-10	2.70E-10	2.50E-10	2.40E-10	2.30E-10	2.20E-10	2.10E-10	2.00E-10
NNW	3.30E-10	3.10E-10	3.00E-10	2.80E-10	2.70E-10	2.50E-10	2.40E-10	2.30E-10	2.20E-10	2.10E-10

Period of record: 1/1/2016 to 12/31/2020

* Measured relative to the Offgas Stack.

Table 8 Monticello Offgas Stack Dispersion Parameters for Long Term Elevated Releases
> 500 Hrs/Yr or >150 Hrs/Qtr (cont'd)

For Standard Distances (As Measured from the Offgas Stack) (D/Q), m⁻²

Sector*	Distance in Miles from Stack									
	4.1	4.2	4.3	4.4	4.5	4.6	4.7	4.8	4.9	5.0
N	2.10E-10	2.00E-10	1.90E-10	1.20E-10	1.70E-10	1.70E-10	1.60E-10	1.60E-10	1.50E-10	1.50E-10
NNE	1.40E-10	1.30E-10	1.30E-10	1.00E-10	1.20E-10	1.10E-10	1.10E-10	1.00E-10	9.80E-11	9.40E-11
NE	1.20E-10	1.10E-10	1.10E-10	8.90E-11	1.00E-10	9.60E-11	9.20E-11	8.80E-11	8.40E-11	8.10E-11
ENE	1.00E-10	9.80E-11	9.30E-11	1.80E-10	8.50E-11	8.20E-11	7.80E-11	7.50E-11	7.20E-11	6.90E-11
E	2.10E-10	2.00E-10	1.90E-10	2.30E-10	1.70E-10	1.60E-10	1.60E-10	1.50E-10	1.40E-10	1.40E-10
ESE	2.70E-10	2.50E-10	2.40E-10	3.60E-10	2.20E-10	2.10E-10	2.00E-10	1.90E-10	1.90E-10	1.80E-10
SE	4.00E-10	3.80E-10	3.80E-10	2.10E-10	3.40E-10	3.30E-10	3.10E-10	3.00E-10	2.90E-10	2.80E-10
SSE	2.40E-10	2.30E-10	2.20E-10	1.30E-10	2.00E-10	1.90E-10	1.80E-10	1.80E-10	1.70E-10	1.60E-10
S	1.50E-10	1.50E-10	1.40E-10	1.40E-10	1.30E-10	1.20E-10	1.20E-10	1.10E-10	1.10E-10	1.00E-10
SSW	1.50E-10	1.50E-10	1.50E-10	1.60E-10	1.30E-10	1.30E-10	1.30E-10	1.20E-10	1.20E-10	1.10E-10
SW	1.80E-10	1.80E-10	1.70E-10	1.30E-10	1.60E-10	1.50E-10	1.40E-10	1.40E-10	1.30E-10	1.30E-10
WSW	1.40E-10	1.50E-10	1.40E-10	9.60E-11	1.30E-10	1.20E-10	1.20E-10	1.20E-10	1.10E-10	1.10E-10
W	1.10E-10	1.10E-10	1.00E-10	1.20E-10	1.00E-10	9.50E-11	9.10E-11	8.70E-11	8.40E-11	8.00E-11
WNW	1.40E-10	1.30E-10	1.30E-10	1.60E-10	1.20E-10	1.10E-10	1.10E-10	1.00E-10	9.80E-11	9.40E-11
NW	1.90E-10	1.80E-10	1.70E-10	1.70E-10	1.60E-10	1.50E-10	1.40E-10	1.40E-10	1.30E-10	1.30E-10
NNW	2.00E-10	1.90E-10	1.80E-10	1.80E-10	1.60E-10	1.60E-10	1.50E-10	1.40E-10	1.40E-10	1.30E-10

Period of record: 1/1/2016 to 12/31/2020

* Measured relative to the Offgas Stack.

MONTICELLO NUCLEAR GENERATING PLANT	ODCM-APP-A
APPENDIX A	Revision 7
	Page 34 of 109

Table 8 Monticello Offgas Stack Dispersion Parameters for Long Term Elevated Releases
> 500 Hrs/Yr or >150 Hrs/Qtr (cont'd)

For Standard Distances (As Measured from the Offgas Stack) (D/Q), m⁻²

Sector*	Distance in Miles from Stack									
	7.5	10	15	20	25	30	35	40	45	50
N	7.40E-11	4.30E-11	2.10E-11	1.30E-11	3.00E-11	2.30E-11	1.60E-11	1.20E-11	9.70E-12	7.90E-12
NNE	4.50E-11	2.80E-11	1.50E-11	9.20E-12	6.60E-12	5.10E-12	4.20E-12	1.10E-11	8.80E-12	6.50E-12
NE	3.80E-11	2.40E-11	1.20E-11	7.70E-12	5.40E-12	4.10E-12	3.20E-12	2.50E-12	2.10E-12	1.70E-12
ENE	3.30E-11	2.00E-11	1.10E-11	6.60E-12	4.70E-12	3.60E-12	3.00E-12	2.50E-12	2.20E-12	2.00E-12
E	6.50E-11	4.00E-11	2.10E-11	1.30E-11	9.10E-12	6.90E-12	5.50E-12	4.60E-12	3.90E-12	3.50E-12
ESE	8.50E-11	5.20E-11	2.70E-11	1.70E-11	1.20E-11	8.80E-12	6.80E-12	5.40E-12	4.50E-12	4.20E-12
SE	1.30E-10	7.30E-11	3.60E-11	2.20E-11	1.50E-11	1.10E-11	9.00E-12	7.40E-12	6.20E-12	5.40E-12
SSE	7.70E-11	4.80E-11	2.50E-11	1.60E-11	1.10E-11	8.10E-12	6.40E-12	5.30E-12	4.50E-12	3.90E-12
S	4.90E-11	3.00E-11	1.60E-11	9.80E-12	6.90E-12	5.10E-12	4.10E-12	3.40E-12	2.90E-12	2.50E-12
SSW	5.30E-11	3.10E-11	1.50E-11	9.30E-12	6.40E-12	4.80E-12	3.80E-12	3.20E-12	2.70E-12	2.40E-12
SW	5.70E-11	3.30E-11	1.60E-11	9.90E-12	6.80E-12	5.10E-12	4.00E-12	3.30E-12	2.80E-12	2.40E-12
WSW	4.80E-11	2.80E-11	1.40E-11	2.40E-11	1.60E-11	1.10E-11	8.40E-12	6.40E-12	5.20E-12	4.20E-12
W	3.80E-11	2.20E-11	1.10E-11	1.80E-11	1.30E-11	9.00E-12	6.70E-12	5.20E-12	4.30E-12	3.50E-12
WNW	4.90E-11	2.90E-11	1.40E-11	8.90E-12	1.90E-11	1.30E-11	9.50E-12	7.50E-12	6.00E-12	4.90E-12
NW	6.00E-11	3.70E-11	2.00E-11	1.20E-11	8.60E-12	6.60E-12	1.50E-11	1.10E-11	8.70E-12	7.10E-12
NNW	6.30E-11	3.80E-11	2.10E-11	1.30E-11	1.50E-11	2.20E-11	1.60E-11	1.20E-11	9.70E-12	7.90E-12

Period of record: 1/1/2016 to 12/31/2020

* Measured relative to the Offgas Stack.

Table 9 Monticello Offgas Stack Dispersion Parameters for Short Term Elevated Releases
 ≤ 500 Hrs/Yr or ≤ 150 Hrs/Qtr

Site Boundary Sector*	χ/q (sec/m ³)	D/q (m ⁻²)
N	6.40E-08	4.30E-09
NNE	8.10E-08	5.10E-09
NE	7.60E-08	4.00E-09
ENE	1.10E-07	3.90E-09
E	2.00E-08	2.20E-09
ESE	2.00E-08	2.20E-09
SE	5.00E-08	3.80E-09
SSE	3.00E-08	3.30E-09
S	1.80E-08	2.30E-09
SSW	2.10E-08	2.40E-09
SW	2.10E-08	2.40E-09
WSW	2.80E-08	2.50E-09
W	6.00E-08	3.40E-09
WNW	1.10E-07	5.60E-09
NW	4.90E-08	3.50E-09
NNW	6.20E-08	4.10E-09

Period of record: 1/1/2016 to 12/31/2020

* Measured relative to the Offgas Stack.

MONTICELLO NUCLEAR GENERATING PLANT	ODCM-APP-A
APPENDIX A	Revision 7
	Page 36 of 109

Table 10 Monticello Offgas Stack Dispersion Parameters for Short Term Elevated Releases
 ≤ 500 Hrs/Yr or ≤ 150 Hrs/Qtr

For Standard Distances (As Measured from the Offgas Stack) (χ/q), $\text{sec}/\text{m}^{3**}$

Sector*	Distance in Miles from Stack									
	0.1	0.2	0.3	0.4	0.5	0.6	0.7	0.8	0.9	1.0
N	8.00E-12	2.00E-08	4.00E-08	4.90E-08	5.80E-08	6.80E-08	5.30E-08	7.40E-08	1.30E-07	1.00E-07
NNE	2.90E-12	8.40E-09	2.00E-08	4.50E-08	5.20E-08	5.70E-08	4.50E-08	6.40E-08	8.40E-08	9.60E-08
NE	5.90E-13	2.50E-09	1.30E-08	2.50E-08	3.80E-08	4.80E-08	4.00E-08	5.80E-08	7.70E-08	9.00E-08
ENE	5.30E-13	2.40E-09	1.10E-08	1.50E-08	2.50E-08	4.60E-08	3.80E-08	5.70E-08	7.30E-08	8.60E-08
E	5.10E-13	1.70E-09	8.70E-09	2.50E-08	2.00E-08	3.60E-08	3.00E-08	4.10E-08	6.10E-08	7.60E-08
ESE	1.10E-12	3.40E-09	1.10E-08	3.00E-08	2.90E-08	5.10E-08	4.20E-08	5.80E-08	8.40E-08	9.90E-08
SE	2.80E-12	8.50E-09	2.50E-08	4.20E-08	4.60E-08	6.00E-08	4.80E-08	6.50E-08	9.20E-08	1.10E-07
SSE	4.70E-12	1.20E-08	2.60E-08	3.70E-08	4.80E-08	6.70E-08	5.40E-08	8.10E-08	1.00E-07	1.20E-07
S	1.80E-12	5.40E-09	1.60E-08	2.80E-08	4.30E-08	5.20E-08	4.30E-08	6.50E-08	8.60E-08	1.00E-07
SSW	2.00E-12	6.40E-09	1.60E-08	1.90E-08	2.60E-08	5.00E-08	4.10E-08	6.20E-08	8.20E-08	1.00E-07
SW	1.70E-12	6.50E-09	1.50E-08	2.00E-08	3.00E-08	4.90E-08	4.10E-08	6.20E-08	8.20E-08	9.80E-08
WSW	1.90E-12	6.40E-09	1.40E-08	1.70E-08	2.60E-08	4.30E-08	3.60E-08	5.60E-08	7.60E-08	9.10E-08
W	4.20E-13	3.00E-09	2.00E-08	4.20E-08	6.00E-08	3.90E-08	3.40E-08	5.30E-08	7.40E-08	8.70E-08
WNW	1.30E-12	6.00E-09	1.50E-08	3.40E-08	3.90E-08	3.90E-08	3.20E-08	4.50E-08	5.90E-08	7.50E-08
NW	5.50E-12	1.70E-08	3.50E-08	5.70E-08	4.80E-08	5.40E-08	4.20E-08	5.60E-08	7.20E-08	8.50E-08
NNW	7.20E-12	2.00E-08	3.60E-08	5.40E-08	4.60E-08	5.90E-08	4.60E-08	5.70E-08	6.80E-08	9.40E-08

Period of record: 1/1/2016 to 12/31/2020

* Measured relative to the Offgas Stack.

** Use most conservative number for the sector/location for distances bracketing location of interest (i.e. if calculating for 1.25 miles use greater of 1-mile or 2-mile χ/q). For distances shorter than 1 mile, also review Site Boundary value.

Table 10 Monticello Offgas Stack Dispersion Parameters for Short Term Elevated Releases
 ≤ 500 Hrs/Yr or ≤ 150 Hrs/Qtr (cont'd)

For Standard Distances (As Measured from the Offgas Stack) (χ/q), sec/m^{3**}

Sector*	Distance in Miles from Stack									
	1.1	1.2	1.3	1.4	1.5	1.6	1.7	1.8	1.9	2.0
N	1.10E-07	1.20E-07	1.30E-07	1.40E-07	1.40E-07	1.40E-07	1.40E-07	1.50E-07	1.50E-07	1.40E-07
NNE	1.10E-07	1.10E-07	1.20E-07	1.20E-07	1.20E-07	1.10E-07	1.00E-07	1.10E-07	1.30E-07	1.30E-07
NE	1.00E-07	1.10E-07	1.20E-07	1.20E-07	1.20E-07	1.20E-07	1.20E-07	1.10E-07	1.30E-07	1.20E-07
ENE	9.70E-08	1.00E-07	1.00E-07	1.10E-07	1.10E-07	9.90E-08	1.10E-07	1.00E-07	1.20E-07	1.10E-07
E	8.10E-08	9.10E-08	9.60E-08	1.00E-07	1.10E-07	1.20E-07	1.20E-07	1.20E-07	1.10E-07	1.10E-07
ESE	1.10E-07	1.10E-07	1.20E-07	1.20E-07	1.40E-07	1.40E-07	1.30E-07	1.30E-07	1.30E-07	1.40E-07
SE	1.30E-07	1.30E-07	1.50E-07	1.50E-07	1.60E-07	1.60E-07	1.60E-07	1.60E-07	1.80E-07	1.60E-07
SSE	1.30E-07	1.30E-07	1.40E-07	1.60E-07	1.50E-07	1.40E-07	1.50E-07	1.40E-07	1.60E-07	1.40E-07
S	1.10E-07	1.30E-07	1.30E-07	1.40E-07	1.40E-07	1.30E-07	1.30E-07	1.30E-07	1.40E-07	1.20E-07
SSW	1.10E-07	1.30E-07	1.40E-07	1.40E-07	1.40E-07	1.40E-07	1.30E-07	1.50E-07	1.20E-07	1.30E-07
SW	1.10E-07	1.30E-07	1.40E-07	1.40E-07	1.50E-07	1.50E-07	1.50E-07	1.60E-07	1.30E-07	1.40E-07
WSW	1.10E-07	1.20E-07	1.30E-07	1.40E-07	1.40E-07	1.50E-07	1.50E-07	1.50E-07	1.50E-07	1.50E-07
W	1.00E-07	1.20E-07	1.30E-07	1.40E-07	1.50E-07	1.50E-07	1.50E-07	1.50E-07	1.60E-07	1.60E-07
WNW	8.70E-08	1.00E-07	1.10E-07	1.20E-07	1.20E-07	1.30E-07	1.30E-07	1.30E-07	1.40E-07	1.40E-07
NW	9.80E-08	9.40E-08	9.80E-08	1.10E-07	1.20E-07	1.20E-07	1.10E-07	1.10E-07	1.10E-07	1.20E-07
NNW	1.00E-07	1.10E-07	1.20E-07	1.20E-07	1.30E-07	1.30E-07	1.20E-07	1.20E-07	1.30E-07	1.30E-07

Period of record: 1/1/2016 to 12/31/2020

* Measured relative to the Offgas Stack.

** Use most conservative number for the sector/location for distances bracketing location of interest (i.e. if calculating for 1.25 miles use greater of 1-mile or 2-mile χ/q). For distances shorter than 1 mile, also review Site Boundary value.

Table 10 Monticello Offgas Stack Dispersion Parameters for Short Term Elevated Releases
≤ 500 Hrs/Yr or ≤150 Hrs/Qtr (cont'd)
For Standard Distances (As Measured from the Offgas Stack) (χ/q), sec/m^{3**}

Sector*	Distance in Miles from Stack									
	2.1	2.2	2.3	2.4	2.5	2.6	2.7	2.8	2.9	3.0
N	1.40E-07	1.40E-07	1.30E-07	1.30E-07	1.30E-07	1.20E-07	1.30E-07	1.20E-07	1.20E-07	1.20E-07
NNE	1.10E-07	1.10E-07	1.10E-07	1.10E-07	1.10E-07	1.00E-07	1.00E-07	9.70E-08	1.10E-07	1.10E-07
NE	1.00E-07	1.00E-07	1.10E-07	1.00E-07	1.00E-07	9.60E-08	9.20E-08	8.80E-08	1.00E-07	1.00E-07
ENE	9.90E-08	1.00E-07	1.00E-07	9.80E-08	9.50E-08	9.10E-08	8.80E-08	8.40E-08	9.90E-08	9.60E-08
E	1.20E-07	1.20E-07	1.10E-07	1.10E-07	1.10E-07	1.10E-07	1.00E-07	1.00E-07	9.80E-08	9.50E-08
ESE	1.30E-07	1.20E-07	1.20E-07	1.20E-07	1.20E-07	1.20E-07	1.10E-07	1.10E-07	1.10E-07	1.10E-07
SE	1.70E-07	1.70E-07	1.60E-07	1.60E-07	1.50E-07	1.50E-07	1.50E-07	1.50E-07	1.50E-07	1.40E-07
SSE	1.40E-07	1.40E-07	1.30E-07	1.30E-07	1.30E-07	1.20E-07	1.20E-07	1.40E-07	1.30E-07	1.10E-07
S	1.20E-07	1.20E-07	1.20E-07	1.20E-07	1.10E-07	1.10E-07	1.00E-07	1.20E-07	1.00E-07	1.00E-07
SSW	1.30E-07	1.30E-07	1.20E-07	1.20E-07	1.10E-07	1.30E-07	1.10E-07	1.10E-07	1.10E-07	1.10E-07
SW	1.40E-07	1.40E-07	1.30E-07	1.30E-07	1.20E-07	1.30E-07	1.30E-07	1.30E-07	1.30E-07	1.20E-07
WSW	1.40E-07	1.40E-07	1.40E-07	1.40E-07	1.50E-07	1.40E-07	1.40E-07	1.40E-07	1.30E-07	1.30E-07
W	1.60E-07	1.60E-07	1.60E-07	1.60E-07	1.50E-07	1.40E-07	1.40E-07	1.30E-07	1.30E-07	1.30E-07
WNW	1.40E-07	1.30E-07	1.30E-07	1.20E-07	1.20E-07	1.30E-07	1.30E-07	1.30E-07	1.20E-07	1.20E-07
NW	1.20E-07	1.10E-07	1.10E-07	1.10E-07	1.00E-07	1.10E-07	1.00E-07	9.90E-08	9.70E-08	1.10E-07
NNW	1.20E-07	1.20E-07	1.20E-07	1.20E-07	1.20E-07	1.10E-07	1.10E-07	1.10E-07	1.10E-07	1.10E-07

Period of record: 1/1/2016 to 12/31/2020

* Measured relative to the Offgas Stack.

** Use most conservative number for the sector/location for distances bracketing location of interest (i.e. if calculating for 1.25 miles use greater of 1-mile or 2-mile χ/q). For distances shorter than 1 mile, also review Site Boundary value.

Table 10 Monticello Offgas Stack Dispersion Parameters for Short Term Elevated Releases
 ≤ 500 Hrs/Yr or ≤ 150 Hrs/Qtr (cont'd)
For Standard Distances (As Measured from the Offgas Stack) (χ/q), sec/m^{3**}

Sector*	Distance in Miles from Stack									
	3.1	3.2	3.3	3.4	3.5	3.6	3.7	3.8	3.9	4.0
N	1.10E-07	1.10E-07	1.10E-07	1.10E-07	1.10E-07	1.10E-07	1.00E-07	1.00E-07	1.00E-07	1.00E-07
NNE	9.10E-08	9.10E-08	9.00E-08	8.90E-08	8.80E-08	8.60E-08	8.50E-08	8.40E-08	8.30E-08	8.20E-08
NE	1.00E-07	8.90E-08	8.70E-08	8.50E-08	8.30E-08	8.10E-08	7.80E-08	7.60E-08	7.40E-08	7.20E-08
ENE	7.90E-08	7.80E-08	7.80E-08	7.70E-08	7.60E-08	7.50E-08	7.40E-08	7.30E-08	7.20E-08	7.10E-08
E	1.00E-07	1.00E-07	1.00E-07	9.90E-08	8.60E-08	8.40E-08	8.30E-08	8.20E-08	8.10E-08	8.00E-08
ESE	1.10E-07	1.10E-07	1.10E-07	9.40E-08	9.20E-08	9.10E-08	8.90E-08	8.70E-08	8.60E-08	8.40E-08
SE	1.40E-07	1.40E-07	1.40E-07	1.40E-07	1.30E-07	1.30E-07	1.30E-07	1.30E-07	1.30E-07	1.30E-07
SSE	1.10E-07	1.10E-07	1.10E-07	1.10E-07	1.00E-07	1.00E-07	1.00E-07	9.90E-08	9.70E-08	9.60E-08
S	1.00E-07	1.00E-07	9.80E-08	9.70E-08	9.50E-08	9.40E-08	9.20E-08	9.10E-08	8.90E-08	8.80E-08
SSW	1.10E-07	1.10E-07	1.10E-07	1.10E-07	1.10E-07	1.00E-07	1.00E-07	1.00E-07	9.90E-08	9.80E-08
SW	1.20E-07	1.20E-07	1.10E-07	1.20E-07	1.20E-07	1.20E-07	1.20E-07	1.20E-07	1.20E-07	1.20E-07
WSW	1.30E-07	1.30E-07	1.30E-07	1.30E-07	1.20E-07	1.10E-07	1.10E-07	1.10E-07	1.10E-07	1.00E-07
W	1.30E-07	1.30E-07	1.30E-07	1.20E-07	1.20E-07	1.20E-07	1.20E-07	1.20E-07	1.20E-07	1.10E-07
WNW	1.20E-07	1.20E-07	1.20E-07	1.20E-07	1.20E-07	1.20E-07	1.20E-07	1.20E-07	1.00E-07	1.00E-07
NW	1.00E-07	9.10E-08	9.00E-08	8.80E-08	8.70E-08	8.60E-08	8.50E-08	8.40E-08	8.20E-08	8.10E-08
NNW	9.90E-08	9.80E-08	9.60E-08	9.50E-08	9.40E-08	9.20E-08	9.10E-08	8.90E-08	8.80E-08	8.60E-08

Period of record: 1/1/2016 to 12/31/2020

* Measured relative to the Offgas Stack.

** Use most conservative number for the sector/location for distances bracketing location of interest (i.e. if calculating for 1.25 miles use greater of 1-mile or 2-mile χ/q). For distances shorter than 1 mile, also review Site Boundary value.

Table 10 Monticello Offgas Stack Dispersion Parameters for Short Term Elevated Releases
 ≤ 500 Hrs/Yr or ≤ 150 Hrs/Qtr (cont'd)
For Standard Distances (As Measured from the Offgas Stack) (χ/q), sec/m^{3**}

Sector*	Distance in Miles from Stack									
	4.1	4.2	4.3	4.4	4.5	4.6	4.7	4.8	4.9	5.0
N	9.80E-08	9.70E-08	9.50E-08	8.40E-08	8.30E-08	8.10E-08	8.00E-08	7.90E-08	7.90E-08	7.80E-08
NNE	8.10E-08	7.80E-08	7.60E-08	7.30E-08	7.10E-08	6.90E-08	6.60E-08	6.40E-08	6.40E-08	6.20E-08
NE	7.00E-08	6.80E-08	6.70E-08	7.30E-08	7.30E-08	7.30E-08	7.30E-08	7.30E-08	7.30E-08	7.30E-08
ENE	7.00E-08	6.90E-08	6.80E-08	6.70E-08	6.60E-08	6.50E-08	6.40E-08	6.30E-08	6.30E-08	6.20E-08
E	7.80E-08	7.70E-08	7.60E-08	7.50E-08	7.40E-08	7.30E-08	7.20E-08	7.10E-08	7.10E-08	6.90E-08
ESE	8.30E-08	8.10E-08	8.00E-08	7.80E-08	7.70E-08	7.50E-08	7.40E-08	7.30E-08	7.30E-08	7.10E-08
SE	1.10E-07	1.10E-07	1.10E-07	1.10E-07	1.00E-07	1.00E-07	1.00E-07	9.90E-08	9.90E-08	9.50E-08
SSE	9.40E-08	9.30E-08	9.10E-08	9.00E-08	8.80E-08	8.70E-08	8.50E-08	8.40E-08	8.40E-08	8.30E-08
S	8.60E-08	8.50E-08	8.40E-08	8.20E-08	8.10E-08	8.00E-08	7.80E-08	7.70E-08	7.70E-08	7.60E-08
SSW	1.00E-07	9.80E-08	9.60E-08	9.40E-08	9.20E-08	9.00E-08	8.70E-08	8.50E-08	8.50E-08	8.30E-08
SW	1.10E-07	1.00E-07	1.00E-07	9.70E-08	9.60E-08	9.50E-08	9.30E-08	9.10E-08	9.10E-08	9.00E-08
WSW	1.00E-07	1.00E-07	9.90E-08	9.70E-08	9.50E-08	9.30E-08	9.20E-08	8.90E-08	8.90E-08	8.80E-08
W	1.10E-07	1.10E-07	9.60E-08	9.40E-08	9.30E-08	9.20E-08	9.00E-08	8.90E-08	8.90E-08	8.60E-08
WNW	9.80E-08	9.60E-08	9.40E-08	9.30E-08	9.10E-08	8.90E-08	8.70E-08	8.60E-08	8.60E-08	8.50E-08
NW	8.00E-08	7.90E-08	7.70E-08	7.50E-08	7.30E-08	7.20E-08	7.00E-08	6.80E-08	6.80E-08	6.70E-08
NNW	8.50E-08	8.30E-08	8.10E-08	7.90E-08	7.70E-08	7.50E-08	7.30E-08	7.10E-08	7.10E-08	7.00E-08

Period of record: 1/1/2016 to 12/31/2020

* Measured relative to the Offgas Stack.

** Use most conservative number for the sector/location for distances bracketing location of interest (i.e. if calculating for 1.25 miles use greater of 1-mile or 2-mile χ/q). For distances shorter than 1 mile, also review Site Boundary value.

Table 11 Monticello Offgas Stack Dispersion Parameters for Short Term Elevated Releases
 ≤ 500 HrsYr or ≤ 150 Hrs/Qtr

For Standard Distances (As Measured from the Offgas Stack) (D/q), m^{-2**}

Sector*	Distance in Miles from Stack									
	0.1	0.2	0.3	0.4	0.5	0.6	0.7	0.8	0.9	1.0
N	1.10E-09	3.90E-09	3.90E-09	3.90E-09	3.90E-09	3.90E-09	3.90E-09	3.90E-09	3.90E-09	3.90E-09
NNE	7.50E-10	2.60E-09	2.60E-09	2.60E-09	2.60E-09	2.60E-09	2.60E-09	2.60E-09	2.60E-09	2.60E-09
NE	4.40E-10	1.50E-09	1.50E-09	1.50E-09	1.50E-09	1.50E-09	1.50E-09	1.50E-09	1.50E-09	1.50E-09
ENE	3.90E-10	1.30E-09	1.30E-09	1.30E-09	1.30E-09	1.30E-09	1.30E-09	1.30E-09	1.30E-09	1.30E-09
E	4.80E-10	1.70E-09	1.70E-09	1.70E-09	1.70E-09	1.70E-09	1.70E-09	1.70E-09	1.70E-09	1.70E-09
ESE	6.90E-10	2.40E-09	2.40E-09	2.40E-09	2.40E-09	2.40E-09	2.40E-09	2.40E-09	2.40E-09	2.40E-09
SE	1.00E-09	3.50E-09	3.50E-09	3.50E-09	3.50E-09	3.50E-09	3.50E-09	3.50E-09	3.50E-09	3.50E-09
SSE	8.60E-10	3.00E-09	3.00E-09	3.00E-09	3.00E-09	3.00E-09	3.00E-09	3.00E-09	3.00E-09	3.00E-09
S	4.50E-10	1.60E-09	2.40E-09	2.60E-09	3.10E-09	3.00E-09	1.90E-09	2.30E-09	2.60E-09	2.50E-09
SSW	4.10E-10	1.40E-09	2.10E-09	1.80E-09	1.90E-09	2.80E-09	1.80E-09	2.20E-09	2.50E-09	2.50E-09
SW	3.90E-10	1.40E-09	2.00E-09	1.80E-09	2.10E-09	2.70E-09	1.80E-09	2.20E-09	2.60E-09	2.50E-09
WSW	3.20E-10	1.10E-09	1.60E-09	1.50E-09	1.90E-09	2.50E-09	1.70E-09	2.00E-09	2.30E-09	2.20E-09
W	2.10E-10	7.40E-10	2.20E-09	3.30E-09	3.90E-09	2.00E-09	1.40E-09	1.70E-09	1.90E-09	1.80E-09
WNW	4.50E-10	1.50E-09	2.00E-09	3.20E-09	2.80E-09	2.40E-09	1.60E-09	1.90E-09	2.20E-09	2.30E-09
NW	9.40E-10	3.20E-09	4.20E-09	5.10E-09	3.50E-09	3.40E-09	2.30E-09	2.70E-09	3.10E-09	3.10E-09
NNW	9.50E-10	3.30E-09	4.30E-09	5.10E-09	3.60E-09	3.90E-09	2.60E-09	2.70E-09	2.70E-09	3.10E-09

Period of record: 1/1/2016 to 12/31/2020

* Measured relative to the Offgas Stack.

** Use most conservative number for the sector/location for distances bracketing location of interest (i.e. if calculating for 1.25 miles use greater of 1-mile or 2-mile D/q). For distances shorter than 1 mile, also review Site Boundary value.

MONTICELLO NUCLEAR GENERATING PLANT	ODCM-APP-A
APPENDIX A	Revision 7
	Page 42 of 109

Table 11 Monticello Offgas Stack Dispersion Parameters for Short Term Elevated Releases
 ≤ 500 HrsYr or ≤ 150 Hrs/Qtr (cont'd)

For Standard Distances (As Measured from the Offgas Stack) (D/q), m^{-2**}

Sector*	Distance in Miles from Stack									
	1.1	1.2	1.3	1.4	1.5	1.6	1.7	1.8	1.9	2.0
N	3.00E-09	2.70E-09	2.60E-09	2.60E-09	2.30E-09	2.00E-09	1.90E-09	1.90E-09	1.80E-09	1.60E-09
NNE	2.50E-09	2.30E-09	2.10E-09	1.90E-09	1.70E-09	1.50E-09	1.30E-09	1.30E-09	1.50E-09	1.40E-09
NE	2.10E-09	2.00E-09	1.90E-09	1.80E-09	1.60E-09	1.50E-09	1.40E-09	1.20E-09	1.30E-09	1.20E-09
ENE	2.00E-09	1.80E-09	1.60E-09	1.60E-09	1.40E-09	1.20E-09	1.20E-09	1.10E-09	1.20E-09	1.10E-09
E	2.50E-09	2.40E-09	2.20E-09	2.20E-09	2.00E-09	2.10E-09	1.90E-09	1.70E-09	1.60E-09	1.50E-09
ESE	3.20E-09	2.90E-09	2.80E-09	2.50E-09	2.60E-09	2.40E-09	2.20E-09	2.10E-09	2.00E-09	2.00E-09
SE	3.90E-09	3.50E-09	3.40E-09	3.10E-09	3.10E-09	2.80E-09	2.60E-09	2.40E-09	2.50E-09	2.20E-09
SSE	3.20E-09	2.80E-09	2.60E-09	2.80E-09	2.50E-09	2.20E-09	2.10E-09	1.90E-09	2.10E-09	1.70E-09
S	2.50E-09	2.30E-09	2.20E-09	2.10E-09	1.90E-09	1.70E-09	1.60E-09	1.40E-09	1.60E-09	1.20E-09
SSW	2.40E-09	2.30E-09	2.20E-09	2.00E-09	1.80E-09	1.60E-09	1.50E-09	1.60E-09	1.30E-09	1.30E-09
SW	2.40E-09	2.30E-09	2.20E-09	2.10E-09	1.90E-09	1.80E-09	1.60E-09	1.70E-09	1.40E-09	1.30E-09
WSW	2.10E-09	2.10E-09	1.90E-09	1.80E-09	1.70E-09	1.60E-09	1.50E-09	1.40E-09	1.40E-09	1.30E-09
W	1.80E-09	1.80E-09	1.60E-09	1.60E-09	1.50E-09	1.40E-09	1.30E-09	1.20E-09	1.30E-09	1.20E-09
WNW	2.20E-09	2.10E-09	2.10E-09	1.90E-09	1.80E-09	1.70E-09	1.60E-09	1.50E-09	1.50E-09	1.40E-09
NW	3.00E-09	2.50E-09	2.30E-09	2.20E-09	2.20E-09	2.00E-09	1.80E-09	1.70E-09	1.60E-09	1.60E-09
NNW	2.90E-09	2.60E-09	2.50E-09	2.20E-09	2.20E-09	2.00E-09	1.80E-09	1.70E-09	1.80E-09	1.70E-09

Period of record: 1/1/2016 to 12/31/2020

* Measured relative to the Offgas Stack.

** Use most conservative number for the sector/location for distances bracketing location of interest (i.e. if calculating for 1.25 miles use greater of 1-mile or 2-mile D/q). For distances shorter than 1 mile, also review Site Boundary value.

Table 11 Monticello Offgas Stack Dispersion Parameters for Short Term Elevated Releases
 ≤ 500 HrsYr or ≤ 150 Hrs/Qtr (cont'd)

For Standard Distances (As Measured from the Offgas Stack) (D/q), m^{-2**}

Sector*	Distance in Miles from Stack									
	2.1	2.2	2.3	2.4	2.5	2.6	2.7	2.8	2.9	3.0
N	1.50E-09	1.50E-09	1.40E-09	1.30E-09	1.20E-09	1.10E-09	1.20E-09	1.00E-09	1.00E-09	9.60E-10
NNE	1.10E-09	1.10E-09	1.10E-09	1.00E-09	9.40E-10	8.80E-10	8.30E-10	7.80E-10	8.60E-10	8.20E-10
NE	1.00E-09	9.80E-10	9.60E-10	9.20E-10	8.50E-10	7.90E-10	7.40E-10	6.90E-10	8.00E-10	7.70E-10
ENE	9.10E-10	8.90E-10	8.70E-10	8.20E-10	7.60E-10	7.10E-10	6.70E-10	6.30E-10	7.10E-10	6.80E-10
E	1.60E-09	1.50E-09	1.30E-09	1.30E-09	1.20E-09	1.20E-09	1.10E-09	1.10E-09	1.00E-09	9.40E-10
ESE	1.90E-09	1.70E-09	1.60E-09	1.60E-09	1.50E-09	1.40E-09	1.30E-09	1.30E-09	1.20E-09	1.30E-09
SE	2.20E-09	2.10E-09	2.00E-09	1.80E-09	1.70E-09	1.60E-09	1.60E-09	1.50E-09	1.40E-09	1.40E-09
SSE	1.70E-09	1.60E-09	1.50E-09	1.40E-09	1.40E-09	1.30E-09	1.20E-09	1.40E-09	1.30E-09	1.10E-09
S	1.20E-09	1.20E-09	1.20E-09	1.10E-09	1.00E-09	9.40E-10	8.80E-10	1.00E-09	8.50E-10	8.20E-10
SSW	1.20E-09	1.20E-09	1.10E-09	1.00E-09	9.40E-10	1.10E-09	8.90E-10	8.60E-10	8.30E-10	8.00E-10
SW	1.30E-09	1.20E-09	1.10E-09	1.10E-09	9.90E-10	1.00E-09	9.90E-10	9.60E-10	9.20E-10	8.70E-10
WSW	1.20E-09	1.10E-09	1.10E-09	1.10E-09	1.00E-09	9.70E-10	9.30E-10	8.80E-10	8.40E-10	8.10E-10
W	1.10E-09	1.10E-09	1.00E-09	9.80E-10	9.30E-10	8.00E-10	7.70E-10	7.40E-10	7.10E-10	6.90E-10
WNW	1.30E-09	1.20E-09	1.10E-09	1.00E-09	1.00E-09	9.90E-10	9.60E-10	9.20E-10	8.80E-10	8.40E-10
NW	1.50E-09	1.30E-09	1.30E-09	1.20E-09	1.20E-09	1.10E-09	1.10E-09	9.90E-10	9.40E-10	9.90E-10
NNW	1.40E-09	1.40E-09	1.30E-09	1.30E-09	1.20E-09	1.10E-09	1.10E-09	1.00E-09	1.10E-09	1.00E-09

Period of record: 1/1/2016 to 12/31/2020

* Measured relative to the Offgas Stack.

** Use most conservative number for the sector/location for distances bracketing location of interest (i.e. if calculating for 1.25 miles use greater of 1-mile or 2-mile D/q). For distances shorter than 1 mile, also review Site Boundary value.

Table 11 Monticello Offgas Stack Dispersion Parameters for Short Term Elevated Releases
 ≤ 500 HrsYr or ≤ 150 Hrs/Qtr (cont'd)

For Standard Distances (As Measured from the Offgas Stack) (D/q), m^{-2**}

Sector*	Distance in Miles from Stack									
	3.1	3.2	3.3	3.4	3.5	3.6	3.7	3.8	3.9	4.0
N	9.20E-10	8.90E-10	8.50E-10	8.20E-10	7.90E-10	7.60E-10	7.30E-10	7.00E-10	6.80E-10	6.50E-10
NNE	6.80E-10	6.50E-10	6.30E-10	6.10E-10	5.90E-10	5.70E-10	5.50E-10	5.30E-10	5.20E-10	5.00E-10
NE	7.30E-10	6.30E-10	6.10E-10	5.80E-10	5.60E-10	5.30E-10	5.00E-10	4.80E-10	4.60E-10	4.40E-10
ENE	5.50E-10	5.30E-10	5.10E-10	4.90E-10	4.80E-10	4.60E-10	4.50E-10	4.30E-10	4.20E-10	4.10E-10
E	1.00E-09	9.80E-10	9.40E-10	9.00E-10	7.60E-10	7.30E-10	7.10E-10	6.80E-10	6.60E-10	6.40E-10
ESE	1.20E-09	1.20E-09	1.10E-09	9.70E-10	9.40E-10	9.00E-10	8.70E-10	8.40E-10	8.10E-10	7.80E-10
SE	1.30E-09	1.30E-09	1.30E-09	1.20E-09	1.20E-09	1.20E-09	1.10E-09	1.10E-09	1.10E-09	1.10E-09
SSE	1.00E-09	1.00E-09	9.60E-10	9.30E-10	9.00E-10	8.70E-10	8.40E-10	8.20E-10	7.90E-10	7.60E-10
S	7.90E-10	7.70E-10	7.40E-10	7.10E-10	6.90E-10	6.70E-10	6.40E-10	6.20E-10	6.00E-10	5.80E-10
SSW	7.80E-10	7.50E-10	7.30E-10	7.00E-10	6.80E-10	6.60E-10	6.40E-10	6.20E-10	6.00E-10	5.80E-10
SW	8.50E-10	8.00E-10	7.60E-10	8.00E-10	8.30E-10	8.10E-10	7.90E-10	8.20E-10	7.90E-10	7.70E-10
WSW	7.90E-10	7.60E-10	7.40E-10	7.20E-10	6.50E-10	6.20E-10	5.90E-10	5.80E-10	5.90E-10	5.60E-10
W	6.60E-10	6.40E-10	6.10E-10	5.90E-10	5.70E-10	5.50E-10	5.30E-10	5.10E-10	4.90E-10	4.80E-10
WNW	8.00E-10	7.70E-10	7.50E-10	7.30E-10	7.10E-10	6.90E-10	6.80E-10	6.60E-10	5.60E-10	5.40E-10
NW	9.50E-10	8.10E-10	7.80E-10	7.60E-10	7.30E-10	7.00E-10	6.80E-10	6.50E-10	6.30E-10	6.10E-10
NNW	8.70E-10	8.40E-10	8.10E-10	7.70E-10	7.50E-10	7.20E-10	6.90E-10	6.70E-10	6.40E-10	6.20E-10

Period of record: 1/1/2016 to 12/31/2020

* Measured relative to the Offgas Stack.

** Use most conservative number for the sector/location for distances bracketing location of interest (i.e. if calculating for 1.25 miles use greater of 1-mile or 2-mile D/q). For distances shorter than 1 mile, also review Site Boundary value.

MONTICELLO NUCLEAR GENERATING PLANT	ODCM-APP-A
APPENDIX A	Revision 7
	Page 45 of 109

Table 11 Monticello Offgas Stack Dispersion Parameters for Short Term Elevated Releases
 ≤ 500 HrsYr or ≤ 150 Hrs/Qtr (cont'd)

For Standard Distances (As Measured from the Offgas Stack) (D/q), m^{-2**}

Sector*	Distance in Miles from Stack									
	4.1	4.2	4.3	4.4	4.5	4.6	4.7	4.8	4.9	5.0
N	6.30E-10	6.10E-10	5.90E-10	5.10E-10	4.90E-10	4.80E-10	4.60E-10	4.60E-10	4.60E-10	4.50E-10
NNE	4.80E-10	4.60E-10	4.30E-10	4.10E-10	3.90E-10	3.70E-10	3.50E-10	3.40E-10	3.40E-10	3.20E-10
NE	4.20E-10	4.00E-10	3.90E-10	4.20E-10	4.10E-10	4.00E-10	4.00E-10	3.90E-10	3.90E-10	3.80E-10
ENE	3.90E-10	3.80E-10	3.70E-10	3.60E-10	3.50E-10	3.30E-10	3.20E-10	3.10E-10	3.10E-10	3.00E-10
E	6.20E-10	6.00E-10	5.80E-10	5.60E-10	5.40E-10	5.20E-10	5.10E-10	4.90E-10	4.90E-10	4.80E-10
ESE	7.60E-10	7.30E-10	7.10E-10	6.80E-10	6.60E-10	6.40E-10	6.20E-10	6.00E-10	6.00E-10	5.80E-10
SE	9.60E-10	9.30E-10	9.30E-10	9.00E-10	8.70E-10	8.40E-10	8.10E-10	7.90E-10	7.90E-10	7.50E-10
SSE	7.40E-10	7.20E-10	6.90E-10	6.70E-10	6.50E-10	6.30E-10	6.10E-10	5.90E-10	5.90E-10	5.70E-10
S	5.60E-10	5.40E-10	5.20E-10	5.10E-10	4.90E-10	4.80E-10	4.60E-10	4.50E-10	4.50E-10	4.30E-10
SSW	6.00E-10	5.80E-10	5.90E-10	5.60E-10	5.40E-10	5.10E-10	5.20E-10	5.00E-10	5.00E-10	4.80E-10
SW	7.00E-10	6.60E-10	6.50E-10	6.20E-10	6.00E-10	5.80E-10	5.60E-10	5.40E-10	5.40E-10	5.20E-10
WSW	5.40E-10	5.60E-10	5.30E-10	5.10E-10	4.90E-10	4.70E-10	4.50E-10	4.50E-10	4.50E-10	4.40E-10
W	4.80E-10	4.60E-10	3.90E-10	3.80E-10	3.90E-10	3.80E-10	3.70E-10	3.60E-10	3.60E-10	3.30E-10
WNW	5.20E-10	5.00E-10	4.80E-10	4.60E-10	4.40E-10	4.20E-10	4.10E-10	3.90E-10	3.90E-10	3.80E-10
NW	5.90E-10	5.70E-10	5.50E-10	5.20E-10	5.00E-10	4.80E-10	4.60E-10	4.40E-10	4.40E-10	4.20E-10
NNW	6.00E-10	5.70E-10	5.50E-10	5.30E-10	5.00E-10	4.80E-10	4.60E-10	4.40E-10	4.40E-10	4.30E-10

Period of record: 1/1/2016 to 12/31/2020

* Measured relative to the Offgas Stack.

** Use most conservative number for the sector/location for distances bracketing location of interest (i.e. if calculating for 1.25 miles use greater of 1-mile or 2-mile D/q). For distances shorter than 1 mile, also review Site Boundary value.

Table 12 Monticello Reactor Building Vent Dispersion Parameters for Short Term Elevated Releases ≤ 500 Hrs/Yr or ≤ 150 Hrs/Qtr

Site Boundary Sector	Distance (Miles)	Distance (Meters)	χ/q (sec/m ³)	D/q (m ⁻²)
N	0.51	821	4.20E-06	5.10E-08
NNE	0.58	933	3.10E-06	4.00E-08
NE	0.65	1046	2.50E-06	2.50E-08
ENE	0.83	1336	2.10E-06	1.40E-08
E	0.59	950	3.80E-06	4.40E-08
ESE	0.59	950	3.60E-06	4.30E-08
SE	0.61	982	4.30E-06	4.70E-08
SSE	0.43	692	5.80E-06	7.30E-08
S	0.34	547	5.10E-06	7.20E-08
SSW	0.32	515	5.60E-06	7.30E-08
SW	0.32	515	5.30E-06	6.70E-08
WSW	0.35	563	3.80E-06	4.60E-08
W	0.48	772	3.10E-06	3.30E-08
WNW	0.68	1094	2.50E-06	2.40E-08
NW	0.43	692	4.50E-06	5.50E-08
NNW	0.53	853	3.00E-06	3.50E-08

Period of record: 1/1/2016 to 12/31/2020

*Measured relative to the Reactor Vent.

Table 13 Reactor Building Vent Dispersion Parameters for Short Term Elevated Releases
 ≤ 500 Hrs/Yr or ≤ 150 Hrs/Qtr

For Standard Distances (As Measured from the Reactor Building Vent) (χ/q), $\text{sec}/\text{m}^{3**}$

Sector*	Distance in Miles from Vent									
	0.1	0.2	0.3	0.4	0.5	0.6	0.7	0.8	0.9	1.0
N	5.00E-05	1.50E-05	8.00E-06	5.50E-06	4.30E-06	3.60E-06	3.10E-06	2.70E-06	2.50E-06	2.20E-06
NNE	4.80E-05	1.50E-05	7.80E-06	5.20E-06	3.80E-06	3.00E-06	2.80E-06	2.50E-06	2.30E-06	2.00E-06
NE	3.40E-05	1.10E-05	6.40E-06	4.30E-06	3.20E-06	2.60E-06	2.60E-06	2.30E-06	2.10E-06	1.90E-06
ENE	2.90E-05	9.00E-06	4.90E-06	3.50E-06	2.80E-06	2.40E-06	2.20E-06	2.20E-06	2.00E-06	1.90E-06
E	4.80E-05	1.50E-05	8.40E-06	6.00E-06	4.50E-06	3.80E-06	3.20E-06	2.70E-06	2.20E-06	2.00E-06
ESE	4.20E-05	1.30E-05	7.50E-06	5.30E-06	4.10E-06	3.50E-06	3.00E-06	2.50E-06	2.20E-06	2.00E-06
SE	5.10E-05	1.60E-05	9.10E-06	6.60E-06	5.00E-06	4.30E-06	3.70E-06	3.10E-06	2.70E-06	2.40E-06
SSE	4.90E-05	1.50E-05	8.80E-06	6.40E-06	5.20E-06	4.30E-06	3.70E-06	3.30E-06	3.00E-06	2.60E-06
S	3.20E-05	1.00E-05	6.20E-06	4.10E-06	3.30E-06	2.80E-06	2.70E-06	2.50E-06	2.30E-06	2.20E-06
SSW	3.20E-05	1.00E-05	6.10E-06	4.10E-06	3.10E-06	2.90E-06	2.70E-06	2.50E-06	2.30E-06	2.10E-06
SW	3.10E-05	9.80E-06	5.80E-06	4.00E-06	3.00E-06	2.50E-06	2.60E-06	2.40E-06	2.20E-06	2.00E-06
WSW	2.40E-05	7.70E-06	4.50E-06	3.50E-06	2.80E-06	2.40E-06	2.30E-06	2.20E-06	2.00E-06	1.90E-06
W	2.60E-05	8.30E-06	4.90E-06	3.80E-06	3.00E-06	2.60E-06	2.50E-06	2.40E-06	2.20E-06	2.10E-06
WNW	3.60E-05	1.10E-05	6.60E-06	4.40E-06	3.30E-06	2.70E-06	2.40E-06	2.30E-06	1.90E-06	1.80E-06
NW	4.10E-05	1.30E-05	7.40E-06	4.80E-06	3.70E-06	2.90E-06	2.70E-06	2.50E-06	2.10E-06	2.00E-06
NNW	3.70E-05	1.20E-05	6.70E-06	4.60E-06	3.20E-06	2.50E-06	2.60E-06	2.40E-06	2.20E-06	2.00E-06

Period of record: 1/1/2016 to 12/31/2020

* Measured relative to the Reactor Vent.

** For distances shorter than 1 mile, also review Site Boundary value.

Table 13 Reactor Building Vent Dispersion Parameters for Short Term Elevated Releases
 ≤ 500 Hrs/Yr or ≤150 Hrs/Qtr (cont'd)

For Standard Distances (As Measured from the Reactor Building Vent) (χ/q), sec/m^{3**}

Sector*	Distance in Miles from Vent									
	1.1	1.2	1.3	1.4	1.5	1.6	1.7	1.8	1.9	2.0
N	1.90E-06	1.70E-06	1.70E-06	1.50E-06	1.40E-06	1.40E-06	1.40E-06	1.50E-06	1.40E-06	1.30E-06
NNE	1.80E-06	1.50E-06	1.40E-06	1.30E-06	1.20E-06	1.10E-06	1.10E-06	1.00E-06	9.10E-07	8.40E-07
NE	1.60E-06	1.50E-06	1.30E-06	1.20E-06	1.10E-06	1.00E-06	9.10E-07	1.00E-06	9.40E-07	8.80E-07
ENE	1.70E-06	1.60E-06	1.50E-06	1.30E-06	1.20E-06	1.20E-06	1.10E-06	1.00E-06	9.30E-07	8.90E-07
E	1.80E-06	1.60E-06	1.40E-06	1.20E-06	1.10E-06	1.00E-06	9.70E-07	9.20E-07	8.70E-07	8.20E-07
ESE	1.70E-06	1.50E-06	1.30E-06	1.20E-06	1.10E-06	9.90E-07	9.30E-07	8.70E-07	8.20E-07	7.70E-07
SE	2.10E-06	1.90E-06	1.70E-06	1.50E-06	1.40E-06	1.40E-06	1.20E-06	1.00E-06	9.40E-07	8.70E-07
SSE	2.20E-06	2.00E-06	2.00E-06	1.70E-06	1.60E-06	1.50E-06	1.40E-06	1.30E-06	1.20E-06	1.10E-06
S	2.00E-06	1.80E-06	1.70E-06	1.60E-06	1.40E-06	1.30E-06	1.20E-06	1.20E-06	1.10E-06	1.00E-06
SSW	2.00E-06	1.80E-06	1.70E-06	1.50E-06	1.40E-06	1.30E-06	1.20E-06	1.10E-06	1.10E-06	1.00E-06
SW	1.90E-06	1.80E-06	1.60E-06	1.50E-06	1.40E-06	1.30E-06	1.20E-06	1.10E-06	1.10E-06	1.00E-06
WSW	1.80E-06	1.60E-06	1.50E-06	1.40E-06	1.30E-06	1.20E-06	1.20E-06	1.00E-06	1.00E-06	9.70E-07
W	1.90E-06	1.80E-06	1.70E-06	1.60E-06	1.50E-06	1.40E-06	1.30E-06	1.20E-06	1.10E-06	1.10E-06
WNW	1.70E-06	1.50E-06	1.40E-06	1.30E-06	1.20E-06	1.20E-06	1.10E-06	1.00E-06	9.80E-07	9.20E-07
NW	1.80E-06	1.60E-06	1.40E-06	1.30E-06	1.20E-06	1.20E-06	1.20E-06	1.10E-06	1.00E-06	9.60E-07
NNW	1.70E-06	1.60E-06	1.50E-06	1.30E-06	1.20E-06	1.10E-06	1.00E-06	1.10E-06	1.00E-06	9.50E-07

Period of record: 1/1/2016 to 12/31/2020

* Measured relative to the Reactor Vent.

** For distances shorter than 1 mile, also review Site Boundary value.

Table 13 Reactor Building Vent Dispersion Parameters for Short Term Elevated Releases
 ≤ 500 Hrs/Yr or ≤ 150 Hrs/Qtr (cont'd)

For Standard Distances (As Measured from the Reactor Building Vent) (χ/q), sec/m^{3**}

Sector*	Distance in Miles from Vent									
	2.1	2.2	2.3	2.4	2.5	2.6	2.7	2.8	2.9	3.0
N	1.30E-06	1.20E-06	1.00E-06	9.60E-07	9.20E-07	8.80E-07	8.40E-07	8.50E-07	8.20E-07	7.90E-07
NNE	7.90E-07	7.40E-07	7.00E-07	6.60E-07	6.30E-07	6.00E-07	5.70E-07	6.20E-07	5.90E-07	5.60E-07
NE	8.50E-07	8.10E-07	7.80E-07	7.40E-07	7.10E-07	6.80E-07	6.60E-07	6.30E-07	6.10E-07	5.90E-07
ENE	8.40E-07	8.00E-07	7.60E-07	7.20E-07	6.90E-07	6.60E-07	6.30E-07	6.00E-07	5.80E-07	5.50E-07
E	7.80E-07	7.30E-07	6.90E-07	6.50E-07	6.10E-07	5.80E-07	5.50E-07	5.20E-07	4.70E-07	4.50E-07
ESE	7.30E-07	6.90E-07	6.50E-07	6.10E-07	5.70E-07	5.40E-07	4.70E-07	4.40E-07	4.20E-07	4.10E-07
SE	9.40E-07	9.00E-07	8.40E-07	7.70E-07	8.10E-07	7.80E-07	7.70E-07	7.40E-07	6.80E-07	6.60E-07
SSE	1.10E-06	1.00E-06	9.50E-07	9.00E-07	8.50E-07	8.00E-07	7.60E-07	7.20E-07	6.80E-07	6.50E-07
S	9.60E-07	9.20E-07	8.70E-07	8.30E-07	8.00E-07	7.60E-07	7.30E-07	7.00E-07	6.70E-07	6.40E-07
SSW	9.80E-07	9.40E-07	9.00E-07	8.50E-07	8.10E-07	7.70E-07	7.30E-07	7.00E-07	6.70E-07	6.50E-07
SW	1.00E-06	9.70E-07	9.20E-07	8.70E-07	8.30E-07	7.90E-07	7.60E-07	7.30E-07	7.00E-07	6.70E-07
WSW	9.30E-07	8.90E-07	8.60E-07	8.20E-07	7.80E-07	7.40E-07	7.10E-07	6.80E-07	6.50E-07	6.30E-07
W	1.00E-06	9.80E-07	9.40E-07	9.00E-07	8.60E-07	8.20E-07	7.80E-07	7.50E-07	7.20E-07	6.90E-07
WNW	8.70E-07	8.40E-07	8.10E-07	7.80E-07	7.50E-07	7.30E-07	7.10E-07	6.80E-07	6.60E-07	6.30E-07
NW	9.10E-07	8.60E-07	8.20E-07	7.90E-07	7.50E-07	6.80E-07	6.30E-07	5.80E-07	5.40E-07	5.00E-07
NNW	9.10E-07	8.80E-07	8.40E-07	8.10E-07	7.80E-07	7.50E-07	7.20E-07	7.00E-07	6.70E-07	6.50E-07

Period of record: 1/1/2016 to 12/31/2020

* Measured relative to the Reactor Vent.

** For distances shorter than 1 mile, also review Site Boundary value.

Table 13 Reactor Building Vent Dispersion Parameters for Short Term Elevated Releases
 ≤ 500 Hrs/Yr or ≤ 150 Hrs/Qtr (cont'd)

For Standard Distances (As Measured from the Reactor Building Vent) (χ/q), $\text{sec}/\text{m}^{3**}$

Sector*	Distance in Miles from Vent									
	3.1	3.2	3.3	3.4	3.5	3.6	3.7	3.8	3.9	4.0
N	7.70E-07	7.50E-07	7.20E-07	7.00E-07	6.80E-07	7.00E-07	6.80E-07	6.70E-07	6.60E-07	6.50E-07
NNE	5.40E-07	5.20E-07	5.00E-07	4.80E-07	5.10E-07	5.00E-07	4.90E-07	4.70E-07	4.60E-07	4.50E-07
NE	5.60E-07	5.40E-07	5.20E-07	5.00E-07	4.90E-07	4.70E-07	4.50E-07	4.40E-07	4.20E-07	4.10E-07
ENE	5.30E-07	5.10E-07	4.90E-07	4.70E-07	4.60E-07	4.40E-07	4.30E-07	4.10E-07	4.00E-07	3.90E-07
E	4.40E-07	4.20E-07	4.00E-07	3.90E-07	3.80E-07	3.60E-07	3.50E-07	3.30E-07	3.20E-07	3.10E-07
ESE	3.90E-07	3.70E-07	3.60E-07	3.40E-07	3.30E-07	3.10E-07	3.00E-07	2.90E-07	2.80E-07	2.70E-07
SE	6.00E-07	5.60E-07	6.80E-07	6.50E-07	6.30E-07	6.00E-07	5.80E-07	4.60E-07	4.50E-07	4.30E-07
SSE	6.20E-07	5.90E-07	5.60E-07	5.30E-07	5.10E-07	4.90E-07	4.80E-07	4.40E-07	4.30E-07	4.10E-07
S	6.10E-07	5.90E-07	5.70E-07	5.50E-07	5.30E-07	5.10E-07	4.90E-07	4.70E-07	4.60E-07	4.40E-07
SSW	6.20E-07	6.00E-07	5.70E-07	5.60E-07	5.40E-07	5.30E-07	5.20E-07	5.10E-07	4.90E-07	4.80E-07
SW	6.50E-07	6.30E-07	6.10E-07	6.00E-07	5.80E-07	5.70E-07	5.50E-07	5.40E-07	5.20E-07	5.10E-07
WSW	6.00E-07	5.80E-07	5.70E-07	5.60E-07	5.40E-07	5.30E-07	5.20E-07	5.10E-07	5.00E-07	4.90E-07
W	6.70E-07	6.40E-07	6.20E-07	6.10E-07	6.00E-07	5.90E-07	5.80E-07	5.70E-07	5.60E-07	5.50E-07
WNW	6.10E-07	5.90E-07	5.80E-07	5.60E-07	5.40E-07	5.30E-07	5.20E-07	5.00E-07	4.90E-07	4.80E-07
NW	4.70E-07	4.40E-07	4.20E-07	4.00E-07	3.90E-07	3.70E-07	3.60E-07	3.50E-07	3.30E-07	3.20E-07
NNW	6.20E-07	6.00E-07	5.80E-07	5.60E-07	5.40E-07	5.20E-07	5.00E-07	4.90E-07	4.70E-07	4.60E-07

Period of record: 1/1/2016 to 12/31/2020

* Measured relative to the Reactor Vent.

** For distances shorter than 1 mile, also review Site Boundary value.

Table 13 Reactor Building Vent Dispersion Parameters for Short Term Elevated Releases
 ≤ 500 Hrs/Yr or ≤ 150 Hrs/Qtr (cont'd)

For Standard Distances (As Measured from the Reactor Building Vent) (χ/q), sec/m^{3**}

Sector*	Distance in Miles from Vent									
	4.1	4.2	4.3	4.4	4.5	4.6	4.7	4.8	4.9	5.0
N	6.40E-07	6.30E-07	6.20E-07	6.10E-07	6.00E-07	5.90E-07	5.90E-07	5.80E-07	5.70E-07	5.60E-07
NNE	4.40E-07	4.30E-07	4.20E-07	4.10E-07	4.00E-07	3.90E-07	3.80E-07	3.70E-07	3.80E-07	3.70E-07
NE	4.00E-07	3.90E-07	3.80E-07	3.60E-07	3.50E-07	3.40E-07	3.40E-07	3.30E-07	3.20E-07	3.10E-07
ENE	3.70E-07	3.60E-07	3.50E-07	3.40E-07	3.30E-07	3.20E-07	3.10E-07	3.10E-07	3.00E-07	2.90E-07
E	3.10E-07	3.10E-07	3.10E-07	3.10E-07	3.10E-07	3.00E-07	3.00E-07	2.90E-07	2.90E-07	2.80E-07
ESE	2.70E-07	2.60E-07	2.50E-07	2.50E-07	2.40E-07	2.30E-07	2.30E-07	2.20E-07	2.10E-07	2.10E-07
SE	4.20E-07	4.00E-07	3.90E-07	3.80E-07	3.70E-07	3.60E-07	3.50E-07	3.40E-07	3.30E-07	3.20E-07
SSE	4.00E-07	3.90E-07	3.70E-07	3.60E-07	3.40E-07	3.30E-07	3.20E-07	3.20E-07	3.10E-07	3.00E-07
S	4.30E-07	4.20E-07	4.00E-07	3.90E-07	3.80E-07	3.70E-07	3.60E-07	3.60E-07	3.50E-07	3.40E-07
SSW	4.70E-07	4.60E-07	4.40E-07	4.30E-07	4.20E-07	4.10E-07	4.00E-07	3.60E-07	3.50E-07	3.40E-07
SW	4.90E-07	4.40E-07	4.30E-07	4.20E-07	4.10E-07	4.00E-07	3.90E-07	3.80E-07	3.80E-07	3.70E-07
WSW	4.80E-07	4.60E-07	4.50E-07	4.40E-07	3.90E-07	3.80E-07	3.70E-07	3.60E-07	3.60E-07	3.50E-07
W	5.40E-07	5.20E-07	5.10E-07	5.00E-07	4.90E-07	4.80E-07	4.60E-07	4.50E-07	4.40E-07	4.40E-07
WNW	4.80E-07	4.80E-07	4.70E-07	4.70E-07	4.60E-07	4.60E-07	4.50E-07	4.50E-07	4.40E-07	4.40E-07
NW	3.10E-07	3.10E-07	3.00E-07	2.90E-07	4.00E-07	3.80E-07	3.70E-07	3.70E-07	3.60E-07	3.50E-07
NNW	4.50E-07	4.30E-07	4.20E-07	4.10E-07	4.00E-07	3.90E-07	3.80E-07	3.70E-07	3.70E-07	3.60E-07

Period of record: 1/1/2016 to 12/31/2020

* Measured relative to the Reactor Vent.

** For distances shorter than 1 mile, also review Site Boundary value.

Table 14 Reactor Building Vent Dispersion Parameters for Short Term Elevated Releases
 ≤ 500 Hrs/Yr or ≤ 150 Hrs/Qtr

For Standard Distances (As Measured from the Reactor Building Vent) (D/q), m^{-2**}

Sector*	Distance in Miles from Vent									
	0.1	0.2	0.3	0.4	0.5	0.6	0.7	0.8	0.9	1.0
N	4.20E-07	1.80E-07	1.10E-07	7.30E-08	5.30E-08	3.90E-08	2.90E-08	2.20E-08	1.80E-08	1.40E-08
NNE	4.30E-07	1.90E-07	1.10E-07	7.50E-08	5.20E-08	3.70E-08	3.00E-08	2.30E-08	1.90E-08	1.50E-08
NE	2.80E-07	1.20E-07	8.40E-08	5.60E-08	3.80E-08	2.80E-08	2.30E-08	1.80E-08	1.40E-08	1.10E-08
ENE	2.20E-07	1.00E-07	6.20E-08	4.30E-08	3.10E-08	2.30E-08	1.80E-08	1.50E-08	1.20E-08	9.90E-09
E	4.30E-07	1.80E-07	1.10E-07	7.90E-08	5.70E-08	4.30E-08	3.30E-08	2.50E-08	1.90E-08	1.60E-08
ESE	4.20E-07	1.80E-07	1.10E-07	7.60E-08	5.50E-08	4.20E-08	3.20E-08	2.50E-08	2.00E-08	1.60E-08
SE	4.70E-07	2.00E-07	1.20E-07	8.80E-08	6.20E-08	4.80E-08	3.70E-08	2.80E-08	2.20E-08	1.90E-08
SSE	4.30E-07	1.90E-07	1.20E-07	8.20E-08	6.00E-08	4.40E-08	3.30E-08	2.60E-08	2.30E-08	1.80E-08
S	2.80E-07	1.30E-07	8.70E-08	5.60E-08	4.00E-08	2.90E-08	2.30E-08	1.90E-08	1.60E-08	1.30E-08
SSW	2.70E-07	1.20E-07	8.00E-08	5.10E-08	3.40E-08	2.70E-08	2.20E-08	1.80E-08	1.50E-08	1.30E-08
SW	2.50E-07	1.10E-07	7.30E-08	4.80E-08	3.20E-08	2.30E-08	2.10E-08	1.70E-08	1.40E-08	1.20E-08
WSW	1.80E-07	8.40E-08	5.40E-08	4.10E-08	2.90E-08	2.10E-08	1.80E-08	1.50E-08	1.20E-08	9.80E-09
W	1.90E-07	9.00E-08	5.90E-08	4.50E-08	3.10E-08	2.30E-08	1.90E-08	1.60E-08	1.30E-08	1.10E-08
WNW	2.70E-07	1.20E-07	8.40E-08	5.50E-08	3.90E-08	2.80E-08	2.30E-08	1.90E-08	1.50E-08	1.20E-08
NW	3.00E-07	1.30E-07	9.10E-08	5.90E-08	4.30E-08	3.00E-08	2.40E-08	2.00E-08	1.50E-08	1.30E-08
NNW	3.10E-07	1.40E-07	9.10E-08	6.10E-08	4.00E-08	2.70E-08	2.40E-08	1.90E-08	1.60E-08	1.30E-08

Period of record: 1/1/2016 to 12/31/2020

* Measured relative to the Reactor Vent.

** For distances shorter than 1 mile, also review Site Boundary value.

Table 14 Reactor Building Vent Dispersion Parameters for Short Term Elevated Releases
 ≤ 500 Hrs/Yr or ≤ 150 Hrs/Qtr (cont'd)

For Standard Distances (As Measured from the Reactor Building Vent) (D/q), m^{-2**}

Sector*	Distance in Miles from Vent									
	1.1	1.2	1.3	1.4	1.5	1.6	1.7	1.8	1.9	2.0
N	1.20E-08	9.80E-09	8.60E-09	7.30E-09	6.40E-09	5.90E-09	5.50E-09	5.30E-09	4.80E-09	4.30E-09
NNE	1.20E-08	9.70E-09	8.10E-09	6.90E-09	6.10E-09	5.50E-09	5.00E-09	4.40E-09	3.80E-09	3.30E-09
NE	8.90E-09	7.40E-09	6.10E-09	5.20E-09	4.40E-09	3.80E-09	3.40E-09	3.50E-09	3.10E-09	2.80E-09
ENE	8.20E-09	6.80E-09	5.80E-09	4.90E-09	4.30E-09	3.70E-09	3.30E-09	2.90E-09	2.60E-09	2.40E-09
E	1.40E-08	1.10E-08	9.40E-09	7.90E-09	7.00E-09	6.10E-09	5.40E-09	4.90E-09	4.50E-09	4.10E-09
ESE	1.30E-08	1.10E-08	9.00E-09	7.80E-09	6.80E-09	6.10E-09	5.50E-09	5.00E-09	4.60E-09	4.20E-09
SE	1.50E-08	1.20E-08	1.00E-08	9.10E-09	8.70E-09	7.90E-09	6.60E-09	5.40E-09	4.70E-09	4.20E-09
SSE	1.50E-08	1.20E-08	1.10E-08	9.40E-09	8.40E-09	7.50E-09	6.70E-09	6.10E-09	5.50E-09	5.00E-09
S	1.10E-08	9.30E-09	7.90E-09	6.80E-09	5.90E-09	5.20E-09	4.60E-09	4.10E-09	3.60E-09	3.30E-09
SSW	1.10E-08	9.10E-09	7.80E-09	6.70E-09	5.90E-09	5.10E-09	4.50E-09	4.00E-09	3.80E-09	3.50E-09
SW	1.00E-08	8.70E-09	7.50E-09	6.50E-09	5.70E-09	5.00E-09	4.20E-09	4.10E-09	3.70E-09	3.40E-09
WSW	8.50E-09	7.20E-09	6.20E-09	5.40E-09	4.70E-09	4.20E-09	3.70E-09	3.20E-09	3.10E-09	2.90E-09
W	9.20E-09	7.80E-09	6.70E-09	5.80E-09	5.10E-09	4.50E-09	4.00E-09	3.40E-09	3.10E-09	3.10E-09
WNW	1.00E-08	8.60E-09	7.30E-09	6.20E-09	5.40E-09	5.00E-09	4.40E-09	3.90E-09	3.50E-09	3.10E-09
NW	1.00E-08	8.60E-09	7.10E-09	6.00E-09	5.10E-09	5.10E-09	4.50E-09	4.00E-09	3.60E-09	3.30E-09
NNW	9.90E-09	8.60E-09	7.10E-09	5.90E-09	5.10E-09	4.40E-09	3.90E-09	3.80E-09	3.40E-09	3.10E-09

Period of record: 1/1/2016 to 12/31/2020

* Measured relative to the Reactor Vent.

** For distances shorter than 1 mile, also review Site Boundary value.

Table 14 Reactor Building Vent Dispersion Parameters for Short Term Elevated Releases
 ≤ 500 Hrs/Yr or ≤ 150 Hrs/Qtr (cont'd)

For Standard Distances (As Measured from the Reactor Building Vent) (D/q), m^{-2**}

Sector*	Distance in Miles from Vent									
	2.1	2.2	2.3	2.4	2.5	2.6	2.7	2.8	2.9	3.0
N	3.90E-09	3.70E-09	2.80E-09	2.60E-09	2.40E-09	2.20E-09	2.00E-09	2.00E-09	1.90E-09	1.80E-09
NNE	3.00E-09	2.70E-09	2.40E-09	2.20E-09	2.00E-09	1.90E-09	1.70E-09	1.80E-09	1.60E-09	1.50E-09
NE	2.60E-09	2.40E-09	2.20E-09	2.00E-09	1.90E-09	1.70E-09	1.60E-09	1.50E-09	1.40E-09	1.30E-09
ENE	2.20E-09	2.00E-09	1.80E-09	1.70E-09	1.60E-09	1.40E-09	1.30E-09	1.20E-09	1.20E-09	1.10E-09
E	3.80E-09	3.40E-09	3.10E-09	2.90E-09	2.70E-09	2.50E-09	2.30E-09	2.10E-09	1.90E-09	1.80E-09
ESE	3.80E-09	3.50E-09	3.30E-09	3.00E-09	2.80E-09	2.60E-09	2.20E-09	2.00E-09	1.90E-09	1.80E-09
SE	4.40E-09	4.00E-09	3.70E-09	3.30E-09	3.40E-09	3.20E-09	3.20E-09	3.00E-09	2.70E-09	2.50E-09
SSE	4.50E-09	4.10E-09	3.80E-09	3.50E-09	3.20E-09	2.90E-09	2.70E-09	2.50E-09	2.40E-09	2.20E-09
S	3.00E-09	2.80E-09	2.60E-09	2.40E-09	2.20E-09	2.00E-09	1.90E-09	1.80E-09	1.70E-09	1.60E-09
SSW	3.20E-09	3.00E-09	2.80E-09	2.50E-09	2.50E-09	2.30E-09	2.10E-09	2.00E-09	1.80E-09	1.70E-09
SW	3.20E-09	3.20E-09	2.90E-09	2.60E-09	2.40E-09	2.20E-09	2.10E-09	1.90E-09	1.80E-09	1.60E-09
WSW	2.70E-09	2.50E-09	2.30E-09	2.20E-09	2.10E-09	1.90E-09	1.80E-09	1.60E-09	1.50E-09	1.40E-09
W	2.80E-09	2.60E-09	2.40E-09	2.20E-09	2.20E-09	2.00E-09	1.90E-09	1.80E-09	1.60E-09	1.50E-09
WNW	2.80E-09	2.70E-09	2.50E-09	2.30E-09	2.10E-09	2.00E-09	1.80E-09	1.70E-09	1.60E-09	1.50E-09
NW	3.00E-09	2.70E-09	2.50E-09	2.30E-09	2.10E-09	1.90E-09	1.70E-09	1.50E-09	1.40E-09	1.20E-09
NNW	2.90E-09	2.70E-09	2.50E-09	2.30E-09	2.10E-09	2.00E-09	1.80E-09	1.70E-09	1.60E-09	1.50E-09

Period of record: 1/1/2016 to 12/31/2020

* Measured relative to the Reactor Vent.

** For distances shorter than 1 mile, also review Site Boundary value.

Table 14 Reactor Building Vent Dispersion Parameters for Short Term Elevated Releases
 ≤ 500 Hrs/Yr or ≤ 150 Hrs/Qtr (cont'd)

For Standard Distances (As Measured from the Reactor Building Vent) (D/q), m^{-2**}

Sector*	Distance in Miles from Vent									
	3.1	3.2	3.3	3.4	3.5	3.6	3.7	3.8	3.9	4.0
N	1.60E-09	1.50E-09	1.50E-09	1.40E-09	1.30E-09	1.30E-09	1.20E-09	1.20E-09	1.20E-09	1.10E-09
NNE	1.40E-09	1.30E-09	1.20E-09	1.20E-09	1.20E-09	1.20E-09	1.10E-09	1.00E-09	1.00E-09	9.80E-10
NE	1.20E-09	1.20E-09	1.10E-09	1.00E-09	9.80E-10	9.20E-10	8.70E-10	8.30E-10	7.80E-10	7.40E-10
ENE	1.00E-09	9.70E-10	9.10E-10	8.60E-10	8.10E-10	7.70E-10	7.30E-10	6.90E-10	6.60E-10	6.30E-10
E	1.70E-09	1.60E-09	1.50E-09	1.40E-09	1.30E-09	1.30E-09	1.20E-09	1.10E-09	1.10E-09	1.00E-09
ESE	1.70E-09	1.60E-09	1.50E-09	1.40E-09	1.30E-09	1.20E-09	1.20E-09	1.10E-09	1.10E-09	1.10E-09
SE	2.30E-09	2.00E-09	2.40E-09	2.30E-09	2.10E-09	2.00E-09	1.90E-09	1.50E-09	1.40E-09	1.40E-09
SSE	2.00E-09	1.90E-09	1.80E-09	1.70E-09	1.60E-09	1.50E-09	1.50E-09	1.30E-09	1.30E-09	1.20E-09
S	1.50E-09	1.40E-09	1.30E-09	1.30E-09	1.20E-09	1.10E-09	1.10E-09	1.00E-09	9.90E-10	9.40E-10
SSW	1.60E-09	1.50E-09	1.40E-09	1.30E-09	1.30E-09	1.20E-09	1.20E-09	1.10E-09	1.10E-09	1.00E-09
SW	1.60E-09	1.50E-09	1.40E-09	1.30E-09	1.30E-09	1.20E-09	1.10E-09	1.10E-09	1.00E-09	9.90E-10
WSW	1.30E-09	1.20E-09	1.20E-09	1.10E-09	1.10E-09	1.00E-09	9.90E-10	9.50E-10	9.10E-10	8.70E-10
W	1.40E-09	1.30E-09	1.20E-09	1.20E-09	1.10E-09	1.10E-09	1.10E-09	1.00E-09	9.90E-10	9.50E-10
WNW	1.40E-09	1.40E-09	1.30E-09	1.20E-09	1.20E-09	1.10E-09	1.10E-09	1.00E-09	9.90E-10	9.60E-10
NW	1.10E-09	1.00E-09	9.40E-10	8.90E-10	8.40E-10	7.90E-10	7.50E-10	7.10E-10	6.70E-10	6.40E-10
NNW	1.40E-09	1.30E-09	1.20E-09	1.20E-09	1.10E-09	1.00E-09	9.90E-10	9.40E-10	8.90E-10	8.50E-10

Period of record: 1/1/2016 to 12/31/2020

* Measured relative to the Reactor Vent.

** For distances shorter than 1 mile, also review Site Boundary value.

Table 14 Reactor Building Vent Dispersion Parameters for Short Term Elevated Releases
 ≤ 500 Hrs/Yr or ≤ 150 Hrs/Qtr (cont'd)

For Standard Distances (As Measured from the Reactor Building Vent) (D/q), m^{-2**}

Sector*	Distance in Miles from Vent									
	4.1	4.2	4.3	4.4	4.5	4.6	4.7	4.8	4.9	5.0
N	1.10E-09	1.00E-09	1.00E-09	9.80E-10	9.50E-10	9.30E-10	9.10E-10	8.90E-10	8.70E-10	8.50E-10
NNE	9.40E-10	9.00E-10	8.60E-10	8.40E-10	8.10E-10	7.80E-10	7.50E-10	7.30E-10	7.30E-10	7.10E-10
NE	7.10E-10	6.80E-10	6.40E-10	6.10E-10	5.90E-10	5.60E-10	5.40E-10	5.20E-10	5.00E-10	4.80E-10
ENE	6.00E-10	5.70E-10	5.50E-10	5.20E-10	5.10E-10	4.90E-10	4.70E-10	4.60E-10	4.40E-10	4.20E-10
E	1.00E-09	1.00E-09	9.90E-10	9.90E-10	9.60E-10	9.30E-10	9.00E-10	8.80E-10	8.50E-10	8.20E-10
ESE	1.00E-09	9.70E-10	9.30E-10	9.00E-10	8.70E-10	8.30E-10	8.00E-10	7.70E-10	7.40E-10	7.10E-10
SE	1.30E-09	1.20E-09	1.20E-09	1.10E-09	1.10E-09	1.00E-09	9.90E-10	9.50E-10	9.20E-10	8.80E-10
SSE	1.20E-09	1.10E-09	1.10E-09	1.00E-09	9.40E-10	9.10E-10	8.80E-10	8.50E-10	8.30E-10	8.20E-10
S	9.00E-10	8.60E-10	8.20E-10	8.00E-10	7.70E-10	7.60E-10	7.30E-10	7.10E-10	6.90E-10	6.70E-10
SSW	9.90E-10	9.50E-10	9.10E-10	8.70E-10	8.40E-10	8.10E-10	7.80E-10	6.90E-10	6.70E-10	6.50E-10
SW	9.50E-10	8.40E-10	8.10E-10	7.80E-10	7.50E-10	7.20E-10	7.00E-10	6.80E-10	6.60E-10	6.40E-10
WSW	8.40E-10	8.00E-10	7.70E-10	7.40E-10	6.40E-10	6.20E-10	6.00E-10	5.80E-10	5.70E-10	5.50E-10
W	9.10E-10	8.80E-10	8.40E-10	8.10E-10	7.80E-10	7.60E-10	7.30E-10	7.10E-10	6.90E-10	6.70E-10
WNW	9.50E-10	9.30E-10	9.00E-10	8.80E-10	8.60E-10	8.40E-10	8.20E-10	8.00E-10	7.80E-10	7.60E-10
NW	6.10E-10	5.80E-10	5.50E-10	5.30E-10	7.10E-10	6.80E-10	6.60E-10	6.30E-10	6.00E-10	5.80E-10
NNW	8.40E-10	8.10E-10	7.70E-10	7.40E-10	7.10E-10	6.90E-10	6.70E-10	6.40E-10	6.30E-10	6.10E-10

Period of record: 1/1/2016 to 12/31/2020

* Measured relative to the Reactor Vent.

** For distances shorter than 1 mile, also review Site Boundary value.

Table 15 Monticello Pond 1 Dispersion Parameters for Long Term Ground Level Releases > 500 Hrs/Yr or > 150 Hrs/Qtr

Site Boundary Sector*	χ/Q (sec/m ³)	D/Q (m ⁻²)
N	1.90E-05	4.00E-08
NNE	1.10E-04	2.30E-07
NE	1.50E-03	1.80E-06
ENE	1.80E-03	2.00E-06
E	2.20E-03	3.70E-06
ESE	1.60E-03	2.90E-06
SE	1.60E-03	3.20E-06
SSE	8.90E-04	1.80E-06
S	2.80E-04	5.20E-07
SSW	1.20E-04	2.80E-07
SW	8.30E-05	1.90E-07
WSW	3.80E-05	8.30E-08
W	2.30E-05	5.20E-08
WNW	6.60E-06	1.50E-08
NW	7.60E-06	1.90E-05
NNW	1.00E-05	2.40E-08

Period of record: 1/1/2016 to 12/31/2020

*Measured relative to the Pond.

Table 16 Monticello Pond 1 Dispersion Parameters for Long Term Ground Releases
> 500 Hrs/Yr or > 150 Hrs/Qtr

For Standard Distances (As Measured from the Pond) (χ/Q), sec/m^3

Sector*	Distance in Miles from Pond									
	0.1	0.2	0.3	0.4	0.5	0.6	0.7	0.8	0.9	1.0
N	3.80E-04	1.10E-04	5.50E-05	3.40E-05	2.30E-05	1.70E-05	1.30E-05	1.00E-05	7.80E-06	6.10E-06
NNE	3.30E-04	9.70E-05	4.80E-05	3.00E-05	2.00E-05	1.50E-05	1.20E-05	9.00E-06	6.70E-06	5.30E-06
NE	2.60E-04	7.50E-05	3.80E-05	2.30E-05	1.60E-05	1.20E-05	9.50E-06	7.30E-06	5.50E-06	4.30E-06
ENE	1.80E-04	5.20E-05	2.70E-05	1.70E-05	1.20E-05	8.90E-06	7.00E-06	5.40E-06	4.10E-06	3.20E-06
E	1.80E-04	5.20E-05	2.70E-05	1.70E-05	1.20E-05	9.20E-06	7.20E-06	5.60E-06	4.20E-06	3.20E-06
ESE	1.40E-04	4.10E-05	2.20E-05	1.40E-05	9.70E-06	7.30E-06	5.70E-06	4.40E-06	3.30E-06	2.60E-06
SE	2.00E-04	6.00E-05	3.10E-05	2.00E-05	1.40E-05	1.10E-05	8.40E-06	6.40E-06	4.80E-06	3.70E-06
SSE	2.50E-04	7.20E-05	3.70E-05	2.40E-05	1.70E-05	1.30E-05	9.80E-06	7.60E-06	5.70E-06	4.40E-06
S	2.10E-04	6.20E-05	3.20E-05	2.00E-05	1.40E-05	1.10E-05	8.30E-06	6.40E-06	4.80E-06	3.70E-06
SSW	1.80E-04	5.20E-05	2.70E-05	1.70E-05	1.20E-05	9.00E-06	7.00E-06	5.40E-06	4.00E-06	3.20E-06
SW	1.70E-04	4.90E-05	2.60E-05	1.60E-05	1.10E-05	8.60E-06	6.80E-06	5.20E-06	3.90E-06	3.00E-06
WSW	1.70E-04	5.00E-05	2.60E-05	1.60E-05	1.10E-05	8.60E-06	6.70E-06	5.10E-06	3.80E-06	3.00E-06
W	2.10E-04	6.20E-05	3.20E-05	2.00E-05	1.40E-05	1.10E-05	8.30E-06	6.40E-06	4.80E-06	3.70E-06
WNW	2.60E-04	7.50E-05	3.80E-05	2.40E-05	1.70E-05	1.20E-05	9.60E-06	7.40E-06	5.50E-06	4.30E-06
NW	2.80E-04	8.10E-05	4.10E-05	2.60E-05	1.80E-05	1.40E-05	1.10E-05	8.20E-06	6.10E-06	4.80E-06
NNW	2.80E-04	8.10E-05	4.10E-05	2.50E-05	1.80E-05	1.30E-05	1.00E-05	8.00E-06	6.00E-06	4.70E-06

Period of record: 1/1/2016 to 12/31/2020

* Measured relative to the Pond.

Table 16 Monticello Pond 1 Dispersion Parameters for Long Term Ground Releases
> 500 Hrs/Yr or > 150 Hrs/Qtr (cont'd)
For Standard Distances (As Measured from the Pond) (χ/Q), sec/m³

Sector*	Distance in Miles from Pond									
	1.1	1.2	1.3	1.4	1.5	1.6	1.7	1.8	1.9	2.0
N	4.90E-06	4.10E-06	3.40E-06	2.90E-06	2.50E-06	2.20E-06	1.90E-06	1.70E-06	1.50E-06	1.40E-06
NNE	4.30E-06	3.50E-06	3.00E-06	2.50E-06	2.20E-06	1.90E-06	1.70E-06	1.50E-06	1.30E-06	1.20E-06
NE	3.50E-06	2.90E-06	2.40E-06	2.00E-06	1.80E-06	1.50E-06	1.30E-06	1.20E-06	1.10E-06	9.60E-07
ENE	2.60E-06	2.10E-06	1.80E-06	1.50E-06	1.30E-06	1.10E-06	9.80E-07	8.60E-07	7.70E-07	6.90E-07
E	2.60E-06	2.10E-06	1.80E-06	1.50E-06	1.30E-06	1.10E-06	9.70E-07	8.60E-07	7.60E-07	6.80E-07
ESE	2.00E-06	1.70E-06	1.40E-06	1.20E-06	1.00E-06	8.70E-07	7.60E-07	6.70E-07	6.00E-07	5.40E-07
SE	3.00E-06	2.40E-06	2.00E-06	1.70E-06	1.50E-06	1.30E-06	1.10E-06	9.80E-07	8.70E-07	7.80E-07
SSE	3.50E-06	2.90E-06	2.40E-06	2.00E-06	1.50E-06	1.50E-06	1.30E-06	1.20E-06	1.00E-06	9.40E-07
S	3.00E-06	2.50E-06	2.10E-06	1.70E-06	1.30E-06	1.30E-06	1.10E-06	1.00E-06	9.00E-07	8.10E-07
SSW	2.50E-06	2.10E-06	1.70E-06	1.50E-06	1.20E-06	1.10E-06	9.50E-07	8.40E-07	7.50E-07	6.70E-07
SW	2.40E-06	2.00E-06	1.70E-06	1.40E-06	1.20E-06	1.00E-06	9.20E-07	8.10E-07	7.20E-07	6.50E-07
WSW	2.40E-06	2.00E-06	1.60E-06	1.40E-06	1.50E-06	1.00E-06	9.10E-07	8.10E-07	7.20E-07	6.50E-07
W	3.00E-06	2.40E-06	2.00E-06	1.70E-06	1.80E-06	1.30E-06	1.10E-06	1.00E-06	9.00E-07	8.10E-07
WNW	3.50E-06	2.90E-06	2.40E-06	2.00E-06	1.90E-06	1.50E-06	1.30E-06	1.20E-06	1.10E-06	9.60E-07
NW	3.90E-06	3.20E-06	2.70E-06	2.30E-06	1.90E-06	1.70E-06	1.50E-06	1.30E-06	1.20E-06	1.10E-06
NNW	3.80E-06	3.10E-06	2.60E-06	2.20E-06	1.50E-06	1.70E-06	1.50E-06	1.30E-06	1.20E-06	1.00E-06

Period of record: 1/1/2016 to 12/31/2020

* Measured relative to the Pond.

Table 16 Monticello Pond 1 Dispersion Parameters for Long Term Ground Releases
> 500 Hrs/Yr or > 150 Hrs/Qtr (cont'd)
For Standard Distances (As Measured from the Pond) (χ/Q), sec/m³

Sector*	Distance in Miles from Pond									
	2.1	2.2	2.3	2.4	2.5	2.6	2.7	2.8	2.9	3.0
N	1.30E-06	1.20E-06	1.10E-06	9.70E-07	9.00E-07	8.30E-07	7.70E-07	7.20E-07	6.80E-07	6.30E-07
NNE	1.10E-06	1.00E-06	9.10E-07	8.40E-07	7.80E-07	7.20E-07	6.70E-07	6.30E-07	5.90E-07	5.50E-07
NE	8.70E-07	8.00E-07	7.30E-07	6.70E-07	6.20E-07	5.70E-07	5.30E-07	5.00E-07	4.60E-07	4.40E-07
ENE	6.30E-07	5.70E-07	5.20E-07	4.80E-07	4.40E-07	4.10E-07	3.80E-07	3.50E-07	3.30E-07	3.10E-07
E	6.20E-07	5.60E-07	5.10E-07	4.70E-07	4.30E-07	4.00E-07	3.70E-07	3.40E-07	3.20E-07	3.00E-07
ESE	4.80E-07	4.40E-07	4.00E-07	3.70E-07	3.40E-07	3.10E-07	2.90E-07	2.70E-07	2.50E-07	2.30E-07
SE	7.10E-07	6.40E-07	5.80E-07	5.30E-07	4.90E-07	4.50E-07	4.20E-07	3.90E-07	3.60E-07	3.40E-07
SSE	8.40E-07	7.70E-07	7.00E-07	6.40E-07	5.90E-07	5.40E-07	5.00E-07	4.70E-07	4.40E-07	4.10E-07
S	7.30E-07	6.60E-07	6.00E-07	5.50E-07	5.10E-07	4.70E-07	4.40E-07	4.10E-07	3.80E-07	3.60E-07
SSW	6.10E-07	5.50E-07	5.00E-07	4.60E-07	4.30E-07	3.90E-07	3.60E-07	3.40E-07	3.20E-07	3.00E-07
SW	5.80E-07	5.30E-07	4.80E-07	4.40E-07	4.10E-07	3.80E-07	3.50E-07	3.30E-07	3.00E-07	2.80E-07
WSW	5.80E-07	5.30E-07	4.80E-07	4.40E-07	4.10E-07	3.80E-07	3.50E-07	3.30E-07	3.00E-07	2.80E-07
W	7.30E-07	6.60E-07	6.00E-07	5.50E-07	5.10E-07	4.70E-07	4.40E-07	4.10E-07	3.80E-07	3.60E-07
WNW	8.70E-07	7.90E-07	7.20E-07	6.60E-07	6.10E-07	5.70E-07	5.30E-07	4.90E-07	4.60E-07	4.30E-07
NW	9.50E-07	8.70E-07	7.90E-07	7.30E-07	6.70E-07	6.20E-07	5.80E-07	5.40E-07	5.00E-07	4.70E-07
NNW	9.40E-07	8.60E-07	7.90E-07	7.20E-07	6.70E-07	6.20E-07	5.70E-07	5.30E-07	5.00E-07	4.70E-07

Period of record: 1/1/2016 to 12/31/2020

* Measured relative to the Pond.

Table 16 Monticello Pond 1 Dispersion Parameters for Long Term Ground Releases
> 500 Hrs/Yr or > 150 Hrs/Qtr (cont'd)
For Standard Distances (As Measured from the Pond) (χ/Q), sec/m³

Sector*	Distance in Miles from Pond									
	3.1	3.2	3.3	3.4	3.5	3.6	3.7	3.8	3.9	4.0
N	6.00E-07	5.60E-07	5.30E-07	5.00E-07	4.80E-07	4.50E-07	4.30E-07	4.10E-07	3.90E-07	3.80E-07
NNE	5.20E-07	4.90E-07	4.60E-07	4.40E-07	4.10E-07	3.90E-07	3.70E-07	3.60E-07	3.40E-07	3.30E-07
NE	4.10E-07	3.90E-07	3.60E-07	3.40E-07	3.30E-07	3.10E-07	2.90E-07	2.80E-07	2.70E-07	2.60E-07
ENE	2.90E-07	2.70E-07	2.60E-07	2.40E-07	2.30E-07	2.20E-07	2.10E-07	2.00E-07	1.90E-07	1.80E-07
E	2.80E-07	2.60E-07	2.50E-07	2.30E-07	2.20E-07	2.10E-07	2.00E-07	1.90E-07	1.80E-07	1.70E-07
ESE	2.20E-07	2.10E-07	1.90E-07	1.80E-07	1.70E-07	1.60E-07	1.60E-07	1.50E-07	1.40E-07	1.30E-07
SE	3.20E-07	3.00E-07	2.80E-07	2.70E-07	2.50E-07	2.40E-07	2.30E-07	2.10E-07	2.00E-07	1.90E-07
SSE	3.80E-07	3.60E-07	3.40E-07	3.20E-07	3.00E-07	2.90E-07	2.70E-07	2.60E-07	2.50E-07	2.40E-07
S	3.30E-07	3.10E-07	3.00E-07	2.80E-07	2.60E-07	2.50E-07	2.40E-07	2.30E-07	2.20E-07	2.10E-07
SSW	2.80E-07	2.60E-07	2.50E-07	2.30E-07	2.20E-07	2.10E-07	2.00E-07	1.90E-07	1.80E-07	1.70E-07
SW	2.70E-07	2.50E-07	2.40E-07	2.20E-07	2.10E-07	2.00E-07	1.90E-07	1.80E-07	1.70E-07	1.60E-07
WSW	2.70E-07	2.50E-07	2.40E-07	2.20E-07	2.10E-07	2.00E-07	1.90E-07	1.80E-07	1.70E-07	1.70E-07
W	3.30E-07	3.20E-07	3.00E-07	2.80E-07	2.70E-07	2.50E-07	2.40E-07	2.30E-07	2.20E-07	2.10E-07
WNW	4.00E-07	3.80E-07	3.60E-07	3.40E-07	3.20E-07	3.10E-07	2.90E-07	2.80E-07	2.60E-07	2.50E-07
NW	4.40E-07	4.20E-07	3.90E-07	3.70E-07	3.50E-07	3.30E-07	3.20E-07	3.00E-07	2.90E-07	2.80E-07
NNW	4.40E-07	4.10E-07	3.90E-07	3.70E-07	3.50E-07	3.30E-07	3.20E-07	3.00E-07	2.90E-07	2.70E-07

Period of record: 1/1/2016 to 12/31/2020

* Measured relative to the Pond.

Table 16 Monticello Pond 1 Dispersion Parameters for Long Term Ground Releases
> 500 Hrs/Yr or > 150 Hrs/Qtr (cont'd)
For Standard Distances (As Measured from the Pond) (χ/Q), sec/m³

Sector*	Distance in Miles from Pond									
	4.1	4.2	4.3	4.4	4.5	4.6	4.7	4.8	4.9	5.0
N	3.60E-07	3.50E-07	3.30E-07	3.20E-07	3.10E-07	2.90E-07	2.80E-07	2.70E-07	2.60E-07	2.60E-07
NNE	3.10E-07	3.00E-07	2.90E-07	2.80E-07	2.70E-07	2.60E-07	2.50E-07	2.40E-07	2.30E-07	2.20E-07
NE	2.50E-07	2.40E-07	2.30E-07	2.20E-07	2.10E-07	2.00E-07	1.90E-07	1.90E-07	1.80E-07	1.70E-07
ENE	1.70E-07	1.60E-07	1.60E-07	1.50E-07	1.50E-07	1.40E-07	1.30E-07	1.30E-07	1.30E-07	1.20E-07
E	1.60E-07	1.60E-07	1.50E-07	1.40E-07	1.40E-07	1.30E-07	1.30E-07	1.20E-07	1.20E-07	1.10E-07
ESE	1.30E-07	1.20E-07	1.20E-07	1.10E-07	1.10E-07	1.00E-07	1.00E-07	9.60E-08	9.30E-08	8.90E-08
SE	1.90E-07	1.80E-07	1.70E-07	1.60E-07	1.60E-07	1.50E-07	1.40E-07	1.40E-07	1.30E-07	1.30E-07
SSE	2.30E-07	2.20E-07	2.10E-07	2.00E-07	1.90E-07	1.80E-07	1.80E-07	1.70E-07	1.60E-07	1.60E-07
S	2.00E-07	1.90E-07	1.80E-07	1.70E-07	1.70E-07	1.60E-07	1.50E-07	1.50E-07	1.40E-07	1.40E-07
SSW	1.60E-07	1.60E-07	1.50E-07	1.40E-07	1.40E-07	1.30E-07	1.30E-07	1.20E-07	1.20E-07	1.10E-07
SW	1.60E-07	1.50E-07	1.40E-07	1.40E-07	1.30E-07	1.30E-07	1.20E-07	1.20E-07	1.10E-07	1.10E-07
WSW	1.60E-07	1.50E-07	1.40E-07	1.40E-07	1.30E-07	1.30E-07	1.20E-07	1.20E-07	1.10E-07	1.10E-07
W	2.00E-07	1.90E-07	1.80E-07	1.70E-07	1.70E-07	1.60E-07	1.60E-07	1.50E-07	1.40E-07	1.40E-07
WNW	2.40E-07	2.30E-07	2.20E-07	2.10E-07	2.00E-07	2.00E-07	1.90E-07	1.80E-07	1.80E-07	1.70E-07
NW	2.60E-07	2.50E-07	2.40E-07	2.30E-07	2.20E-07	2.10E-07	2.10E-07	2.00E-07	1.90E-07	1.90E-07
NNW	2.60E-07	2.50E-07	2.40E-07	2.30E-07	2.20E-07	2.10E-07	2.10E-07	2.00E-07	1.90E-07	1.90E-07

Period of record: 1/1/2016 to 12/31/2020

* Measured relative to the Pond.

Table 16 Monticello Pond 1 Dispersion Parameters for Long Term Ground Releases
> 500 Hrs/Yr or > 150 Hrs/Qtr (cont'd)
For Standard Distances (As Measured from the Pond) (χ/Q), sec/m³

Sector*	Distance in Miles from Pond									
	7.5	10	15	20	25	30	35	40	45	50
N	1.40E-07	9.10E-08	5.40E-08	3.70E-08	2.80E-08	2.30E-08	1.90E-08	1.60E-08	1.40E-08	1.20E-08
NNE	1.20E-07	7.90E-08	4.70E-08	3.30E-08	2.50E-08	2.00E-08	1.60E-08	1.40E-08	1.20E-08	1.00E-08
NE	9.20E-08	6.10E-08	3.60E-08	2.50E-08	1.90E-08	1.50E-08	1.20E-08	1.00E-08	8.90E-09	7.80E-09
ENE	6.30E-08	4.10E-08	2.40E-08	1.60E-08	1.20E-08	9.70E-09	8.00E-09	6.70E-09	5.80E-09	5.00E-09
E	5.90E-08	3.80E-08	2.20E-08	1.50E-08	1.10E-08	8.60E-09	7.00E-09	5.90E-09	5.00E-09	4.40E-09
ESE	4.60E-08	3.00E-08	1.70E-08	1.10E-08	8.50E-09	6.70E-09	5.40E-09	4.50E-09	3.90E-09	3.40E-09
SE	6.60E-08	4.20E-08	2.40E-08	1.60E-08	1.20E-08	9.40E-09	7.70E-09	6.40E-09	5.50E-09	4.80E-09
SSE	8.10E-08	5.20E-08	3.00E-08	2.00E-08	1.50E-08	1.20E-08	9.70E-09	8.20E-09	7.00E-09	6.10E-09
S	7.10E-08	4.70E-08	2.70E-08	1.80E-08	1.40E-08	1.10E-08	8.80E-09	7.40E-09	6.40E-09	5.60E-09
SSW	5.90E-08	3.80E-08	2.20E-08	1.50E-08	1.10E-08	8.80E-09	7.20E-09	6.10E-09	5.20E-09	4.50E-09
SW	5.60E-08	3.70E-08	2.10E-08	1.40E-08	1.10E-08	8.40E-09	6.80E-09	5.70E-09	4.90E-09	4.30E-09
WSW	5.70E-08	3.70E-08	2.20E-08	1.50E-08	1.10E-08	8.70E-09	7.10E-09	6.00E-09	5.10E-09	4.50E-09
W	7.20E-08	4.70E-08	2.70E-08	1.90E-08	1.40E-08	1.10E-08	9.10E-09	7.60E-09	6.60E-09	5.70E-09
WNW	8.90E-08	5.90E-08	3.50E-08	2.40E-08	1.80E-08	1.40E-08	1.20E-08	9.90E-09	8.50E-09	7.40E-09
NW	9.70E-08	6.40E-08	3.70E-08	2.60E-08	1.90E-08	1.50E-08	1.20E-08	1.00E-08	9.00E-09	7.90E-09
NNW	9.80E-08	6.50E-08	3.80E-08	2.60E-08	2.00E-08	1.60E-08	1.30E-08	1.10E-08	9.30E-09	8.20E-09

Period of record: 1/1/2016 to 12/31/2020

* Measured relative to the Pond.

MONTICELLO NUCLEAR GENERATING PLANT	ODCM-APP-A
APPENDIX A	Revision 7
	Page 64 of 109

Table 17 Monticello Pond 1 Dispersion Parameters for Long Term Ground Level Releases
> 500 Hrs/Yr or > 150 Hrs/Qtr

For Standard Distances (As Measured from the Pond) (D/Q), m⁻²

Sector*	Distance in Miles from Pond									
	0.1	0.2	0.3	0.4	0.5	0.6	0.7	0.8	0.9	1.0
N	6.90E-07	2.60E-07	1.40E-07	9.00E-08	6.30E-08	4.70E-08	3.60E-08	2.70E-08	2.00E-08	1.50E-08
NNE	6.50E-07	2.40E-07	1.30E-07	8.40E-08	5.90E-08	4.40E-08	3.40E-08	2.60E-08	1.90E-08	1.40E-08
NE	4.80E-07	1.80E-07	9.80E-08	6.20E-08	4.40E-08	3.20E-08	2.50E-08	1.90E-08	1.40E-08	1.10E-08
ENE	3.80E-07	1.40E-07	7.70E-08	4.90E-08	3.40E-08	2.60E-08	2.00E-08	1.50E-08	1.10E-08	8.40E-09
E	6.40E-07	2.40E-07	1.30E-07	8.30E-08	5.80E-08	4.30E-08	3.30E-08	2.50E-08	1.90E-08	1.40E-08
ESE	5.30E-07	2.00E-07	1.10E-07	6.80E-08	4.80E-08	3.50E-08	2.80E-08	2.10E-08	1.50E-08	1.20E-08
SE	7.50E-07	2.80E-07	1.50E-07	9.70E-08	6.80E-08	5.00E-08	3.90E-08	3.00E-08	2.20E-08	1.70E-08
SSE	7.50E-07	2.80E-07	1.50E-07	9.70E-08	6.80E-08	5.00E-08	3.90E-08	3.00E-08	2.20E-08	1.70E-08
S	4.70E-07	1.80E-07	9.60E-08	6.10E-08	4.30E-08	3.20E-08	2.50E-08	1.90E-08	1.40E-08	1.00E-08
SSW	4.30E-07	1.60E-07	8.70E-08	5.50E-08	3.90E-08	2.90E-08	2.20E-08	1.70E-08	1.20E-08	9.50E-09
SW	4.10E-07	1.50E-07	8.30E-08	5.30E-08	3.70E-08	2.70E-08	2.10E-08	1.60E-08	1.20E-08	9.00E-09
WSW	3.60E-07	1.30E-07	7.30E-08	4.60E-08	3.20E-08	2.40E-08	1.90E-08	1.40E-08	1.00E-08	7.90E-09
W	4.30E-07	1.60E-07	8.60E-08	5.50E-08	3.90E-08	2.90E-08	2.20E-08	1.70E-08	1.20E-08	9.40E-09
WNW	5.20E-07	2.00E-07	1.10E-07	6.80E-08	4.70E-08	3.50E-08	2.70E-08	2.10E-08	1.50E-08	1.20E-08
NW	6.10E-07	2.30E-07	1.20E-07	7.90E-08	5.50E-08	4.10E-08	3.20E-08	2.40E-08	1.80E-08	1.30E-08
NNW	5.60E-07	2.10E-07	1.10E-07	7.20E-08	5.00E-08	3.70E-08	2.90E-08	2.20E-08	1.60E-08	1.20E-08

Period of record: 1/1/2016 to 12/31/2020

* Measured relative to the Pond.

Table 17 Monticello Pond 1 Dispersion Parameters for Long Term Ground Level Releases
> 500 Hrs/Yr or > 150 Hrs/Qtr (cont'd)
For Standard Distances (As Measured from the Pond) (D/Q), m⁻²

Sector*	Distance in Miles from Pond									
	1.1	1.2	1.3	1.4	1.5	1.6	1.7	1.8	1.9	2.0
N	1.20E-08	9.60E-09	7.90E-09	6.50E-09	5.50E-09	4.70E-09	4.10E-09	3.50E-09	3.10E-09	2.70E-09
NNE	1.10E-08	9.00E-09	7.40E-09	6.10E-09	5.10E-09	4.40E-09	3.80E-09	3.30E-09	2.90E-09	2.60E-09
NE	8.30E-09	6.70E-09	5.50E-09	4.50E-09	3.80E-09	3.30E-09	2.80E-09	2.40E-09	2.10E-09	1.90E-09
ENE	6.60E-09	5.30E-09	4.30E-09	3.60E-09	3.00E-09	2.60E-09	2.20E-09	1.90E-09	1.70E-09	1.50E-09
E	1.10E-08	8.90E-09	7.20E-09	6.00E-09	5.10E-09	4.30E-09	3.70E-09	3.20E-09	2.80E-09	2.50E-09
ESE	9.10E-09	7.30E-09	6.00E-09	5.00E-09	4.20E-09	3.60E-09	3.10E-09	2.70E-09	2.30E-09	2.10E-09
SE	1.30E-08	1.00E-08	8.50E-09	7.10E-09	6.00E-09	5.10E-09	4.40E-09	3.80E-09	3.30E-09	3.00E-09
SSE	1.30E-08	1.00E-08	8.50E-09	7.10E-09	6.00E-09	5.10E-09	4.40E-09	3.80E-09	3.30E-09	3.00E-09
S	8.20E-09	6.60E-09	5.40E-09	4.50E-09	3.80E-09	3.20E-09	2.80E-09	2.40E-09	2.10E-09	1.90E-09
SSW	7.40E-09	5.90E-09	4.90E-09	4.00E-09	3.40E-09	2.90E-09	2.50E-09	2.20E-09	1.90E-09	1.70E-09
SW	7.10E-09	5.70E-09	4.60E-09	3.80E-09	3.20E-09	2.80E-09	2.40E-09	2.10E-09	1.80E-09	1.60E-09
WSW	6.20E-09	5.00E-09	4.10E-09	3.40E-09	2.80E-09	2.40E-09	2.10E-09	1.80E-09	1.60E-09	1.40E-09
W	7.40E-09	5.90E-09	4.80E-09	4.00E-09	3.40E-09	2.90E-09	2.50E-09	2.20E-09	1.90E-09	1.70E-09
WNW	9.00E-09	7.30E-09	5.90E-09	4.90E-09	4.10E-09	3.50E-09	3.00E-09	2.70E-09	2.30E-09	2.10E-09
NW	1.10E-08	8.40E-09	6.90E-09	5.70E-09	4.80E-09	4.10E-09	3.60E-09	3.10E-09	2.70E-09	2.40E-09
NNW	9.60E-09	7.70E-09	6.30E-09	5.30E-09	4.40E-09	3.80E-09	3.30E-09	2.80E-09	2.50E-09	2.20E-09

Period of record: 1/1/2016 to 12/31/2020

* Measured relative to the Pond.

Table 17 Monticello Pond 1 Dispersion Parameters for Long Term Ground Level Releases
> 500 Hrs/Yr or > 150 Hrs/Qtr (cont'd)
For Standard Distances (As Measured from the Pond) (D/Q), m⁻²

Sector*	Distance in Miles from Pond									
	2.1	2.2	2.3	2.4	2.5	2.6	2.7	2.8	2.9	3.0
N	2.40E-09	2.20E-09	2.00E-09	1.80E-09	1.60E-09	1.50E-09	1.30E-09	1.20E-09	1.10E-09	1.10E-09
NNE	2.30E-09	2.00E-09	1.80E-09	1.70E-09	1.50E-09	1.40E-09	1.30E-09	1.20E-09	1.10E-09	9.80E-10
NE	1.70E-09	1.50E-09	1.40E-09	1.20E-09	1.10E-09	1.00E-09	9.30E-10	8.60E-10	7.90E-10	7.30E-10
ENE	1.30E-09	1.20E-09	1.10E-09	9.70E-10	8.80E-10	8.00E-10	7.40E-10	6.80E-10	6.20E-10	5.80E-10
E	2.20E-09	2.00E-09	1.80E-09	1.60E-09	1.50E-09	1.40E-09	1.20E-09	1.10E-09	1.00E-09	9.70E-10
ESE	1.80E-09	1.70E-09	1.50E-09	1.30E-09	1.20E-09	1.10E-09	1.00E-09	9.40E-10	8.70E-10	8.00E-10
SE	2.60E-09	2.40E-09	2.10E-09	1.90E-09	1.70E-09	1.60E-09	1.50E-09	1.30E-09	1.20E-09	1.10E-09
SSE	2.60E-09	2.30E-09	2.10E-09	1.90E-09	1.70E-09	1.60E-09	1.50E-09	1.30E-09	1.20E-09	1.10E-09
S	1.70E-09	1.50E-09	1.30E-09	1.20E-09	1.10E-09	1.00E-09	9.20E-10	8.40E-10	7.80E-10	7.20E-10
SSW	1.50E-09	1.30E-09	1.20E-09	1.10E-09	9.90E-10	9.00E-10	8.30E-10	7.60E-10	7.00E-10	6.50E-10
SW	1.40E-09	1.30E-09	1.10E-09	1.00E-09	9.40E-10	8.60E-10	7.90E-10	7.20E-10	6.70E-10	6.20E-10
WSW	1.30E-09	1.10E-09	1.00E-09	9.10E-10	8.30E-10	7.60E-10	6.90E-10	6.40E-10	5.90E-10	5.40E-10
W	1.50E-09	1.30E-09	1.20E-09	1.10E-09	9.90E-10	9.00E-10	8.20E-10	7.60E-10	7.00E-10	6.50E-10
WNW	1.80E-09	1.60E-09	1.50E-09	1.30E-09	1.20E-09	1.10E-09	1.00E-09	9.30E-10	8.60E-10	7.90E-10
NW	2.10E-09	1.90E-09	1.70E-09	1.60E-09	1.40E-09	1.30E-09	1.20E-09	1.10E-09	1.00E-09	9.20E-10
NNW	2.00E-09	1.70E-09	1.60E-09	1.40E-09	1.30E-09	1.20E-09	1.10E-09	9.90E-10	9.10E-10	8.50E-10

Period of record: 1/1/2016 to 12/31/2020

* Measured relative to the Pond.

Table 17 Monticello Pond 1 Dispersion Parameters for Long Term Ground Level Releases
> 500 Hrs/Yr or > 150 Hrs/Qtr (cont'd)
For Standard Distances (As Measured from the Pond) (D/Q), m⁻²

Sector*	Distance in Miles from Pond									
	3.1	3.2	3.3	3.4	3.5	3.6	3.7	3.8	3.9	4.0
N	9.80E-10	9.10E-10	8.50E-10	7.90E-10	7.40E-10	7.00E-10	6.50E-10	6.20E-10	5.80E-10	5.50E-10
NNE	9.10E-10	8.50E-10	7.90E-10	7.40E-10	6.90E-10	6.50E-10	6.10E-10	5.80E-10	5.40E-10	5.10E-10
NE	6.80E-10	6.30E-10	5.90E-10	5.50E-10	5.10E-10	4.80E-10	4.50E-10	4.30E-10	4.00E-10	3.80E-10
ENE	5.40E-10	5.00E-10	4.60E-10	4.30E-10	4.10E-10	3.80E-10	3.60E-10	3.40E-10	3.20E-10	3.00E-10
E	9.00E-10	8.40E-10	7.80E-10	7.30E-10	6.80E-10	6.40E-10	6.00E-10	5.70E-10	5.30E-10	5.10E-10
ESE	7.40E-10	6.90E-10	6.40E-10	6.00E-10	5.60E-10	5.30E-10	5.00E-10	4.70E-10	4.40E-10	4.20E-10
SE	1.10E-09	9.80E-10	9.20E-10	8.60E-10	8.00E-10	7.50E-10	7.10E-10	6.70E-10	6.30E-10	5.90E-10
SSE	1.10E-09	9.80E-10	9.20E-10	8.60E-10	8.00E-10	7.50E-10	7.10E-10	6.70E-10	6.30E-10	5.90E-10
S	6.70E-10	6.20E-10	5.80E-10	5.40E-10	5.00E-10	4.70E-10	4.50E-10	4.20E-10	4.00E-10	3.70E-10
SSW	6.00E-10	5.60E-10	5.20E-10	4.90E-10	4.60E-10	4.30E-10	4.00E-10	3.80E-10	3.60E-10	3.40E-10
SW	5.70E-10	5.30E-10	5.00E-10	4.60E-10	4.30E-10	4.10E-10	3.80E-10	3.60E-10	3.40E-10	3.20E-10
WSW	5.00E-10	4.70E-10	4.40E-10	4.10E-10	3.80E-10	3.60E-10	3.40E-10	3.20E-10	3.00E-10	2.80E-10
W	6.00E-10	5.60E-10	5.20E-10	4.90E-10	4.50E-10	4.30E-10	4.00E-10	3.80E-10	3.60E-10	3.40E-10
WNW	7.40E-10	6.80E-10	6.40E-10	6.00E-10	5.60E-10	5.20E-10	4.90E-10	4.60E-10	4.40E-10	4.10E-10
NW	8.60E-10	8.00E-10	7.40E-10	6.90E-10	6.50E-10	6.10E-10	5.70E-10	5.40E-10	5.10E-10	4.80E-10
NNW	7.80E-10	7.30E-10	6.80E-10	6.40E-10	6.00E-10	5.60E-10	5.30E-10	4.90E-10	4.70E-10	4.40E-10

Period of record: 1/1/2016 to 12/31/2020

* Measured relative to the Pond.

Table 17 Monticello Pond 1 Dispersion Parameters for Long Term Ground Level Releases
> 500 Hrs/Yr or > 150 Hrs/Qtr (cont'd)
For Standard Distances (As Measured from the Pond) (D/Q), m⁻²

Sector*	Distance in Miles from Pond									
	4.1	4.2	4.3	4.4	4.5	4.6	4.7	4.8	4.9	5.0
N	5.20E-10	4.90E-10	4.70E-10	4.50E-10	4.20E-10	4.00E-10	3.90E-10	3.70E-10	3.50E-10	3.40E-10
NNE	4.90E-10	4.60E-10	4.40E-10	4.20E-10	4.00E-10	3.80E-10	3.60E-10	3.40E-10	3.30E-10	3.10E-10
NE	3.60E-10	3.40E-10	3.20E-10	3.10E-10	2.90E-10	2.80E-10	2.70E-10	2.50E-10	2.40E-10	2.30E-10
ENE	2.80E-10	2.70E-10	2.60E-10	2.40E-10	2.30E-10	2.20E-10	2.10E-10	2.00E-10	1.90E-10	1.80E-10
E	4.80E-10	4.50E-10	4.30E-10	4.10E-10	3.90E-10	3.70E-10	3.50E-10	3.40E-10	3.20E-10	3.10E-10
ESE	3.90E-10	3.70E-10	3.60E-10	3.40E-10	3.20E-10	3.10E-10	2.90E-10	2.80E-10	2.70E-10	2.60E-10
SE	5.60E-10	5.30E-10	5.10E-10	4.80E-10	4.60E-10	4.40E-10	4.20E-10	4.00E-10	3.80E-10	3.60E-10
SSE	5.60E-10	5.30E-10	5.10E-10	4.80E-10	4.60E-10	4.40E-10	4.20E-10	4.00E-10	3.80E-10	3.60E-10
S	3.50E-10	3.40E-10	3.20E-10	3.00E-10	2.90E-10	2.70E-10	2.60E-10	2.50E-10	2.40E-10	2.30E-10
SSW	3.20E-10	3.00E-10	2.90E-10	2.70E-10	2.60E-10	2.50E-10	2.40E-10	2.30E-10	2.20E-10	2.10E-10
SW	3.10E-10	2.90E-10	2.70E-10	2.60E-10	2.50E-10	2.40E-10	2.30E-10	2.20E-10	2.10E-10	2.00E-10
WSW	2.70E-10	2.50E-10	2.40E-10	2.30E-10	2.20E-10	2.10E-10	2.00E-10	1.90E-10	1.80E-10	1.70E-10
W	3.20E-10	3.00E-10	2.90E-10	2.70E-10	2.60E-10	2.50E-10	2.40E-10	2.30E-10	2.20E-10	2.10E-10
WNW	3.90E-10	3.70E-10	3.50E-10	3.30E-10	3.20E-10	3.00E-10	2.90E-10	2.80E-10	2.60E-10	2.50E-10
NW	4.60E-10	4.30E-10	4.10E-10	3.90E-10	3.70E-10	3.50E-10	3.40E-10	3.20E-10	3.10E-10	2.90E-10
NNW	4.20E-10	4.00E-10	3.80E-10	3.60E-10	3.40E-10	3.20E-10	3.10E-10	3.00E-10	2.80E-10	2.70E-10

Period of record: 1/1/2016 to 12/31/2020

* Measured relative to the Pond.

Table 17 Monticello Pond 1 Dispersion Parameters for Long Term Ground Level Releases
> 500 Hrs/Yr or > 150 Hrs/Qtr (cont'd)
For Standard Distances (As Measured from the Pond) (D/Q), m⁻²

Sector*	Distance in Miles from Pond									
	7.5	10	15	20	25	30	35	40	45	50
N	1.50E-10	9.10E-11	4.60E-11	2.80E-11	1.90E-11	1.30E-11	1.00E-11	7.80E-12	6.20E-12	5.10E-12
NNE	1.40E-10	8.50E-11	4.30E-11	2.60E-11	1.70E-11	1.20E-11	9.30E-12	7.30E-12	5.80E-12	4.70E-12
NE	1.00E-10	6.30E-11	3.20E-11	1.90E-11	1.30E-11	9.20E-12	6.90E-12	5.40E-12	4.30E-12	3.50E-12
ENE	8.20E-11	5.00E-11	2.50E-11	1.50E-11	1.00E-11	7.30E-12	5.50E-12	4.30E-12	3.40E-12	2.80E-12
E	1.40E-10	8.30E-11	4.20E-11	2.50E-11	1.70E-11	1.20E-11	9.20E-12	7.10E-12	5.70E-12	4.70E-12
ESE	1.10E-10	6.90E-11	3.50E-11	2.10E-11	1.40E-11	1.00E-11	7.60E-12	5.90E-12	4.70E-12	3.80E-12
SE	1.60E-10	9.80E-11	4.90E-11	3.00E-11	2.00E-11	1.40E-11	1.10E-11	8.40E-12	6.70E-12	5.50E-12
SSE	1.60E-10	9.80E-11	4.90E-11	3.00E-11	2.00E-11	1.40E-11	1.10E-11	8.40E-12	6.70E-12	5.50E-12
S	1.00E-10	6.20E-11	3.10E-11	1.90E-11	1.30E-11	9.10E-12	6.80E-12	5.30E-12	4.20E-12	3.40E-12
SSW	9.20E-11	5.60E-11	2.80E-11	1.70E-11	1.10E-11	8.20E-12	6.20E-12	4.80E-12	3.80E-12	3.10E-12
SW	8.80E-11	5.30E-11	2.70E-11	1.60E-11	1.10E-11	7.80E-12	5.90E-12	4.60E-12	3.60E-12	3.00E-12
WSW	7.70E-11	4.70E-11	2.40E-11	1.40E-11	9.60E-12	6.90E-12	5.20E-12	4.00E-12	3.20E-12	2.60E-12
W	9.20E-11	5.60E-11	2.80E-11	1.70E-11	1.10E-11	8.20E-12	6.10E-12	4.80E-12	3.80E-12	3.10E-12
WNW	1.10E-10	6.80E-11	3.40E-11	2.10E-11	1.40E-11	1.00E-11	7.50E-12	5.80E-12	4.70E-12	3.80E-12
NW	1.30E-10	7.90E-11	4.00E-11	2.40E-11	1.60E-11	1.20E-11	8.80E-12	6.80E-12	5.40E-12	4.40E-12
NNW	1.20E-10	7.30E-11	3.70E-11	2.20E-11	1.50E-11	1.10E-11	8.00E-12	6.20E-12	5.00E-12	4.10E-12

Period of record: 1/1/2016 to 12/31/2020

* Measured relative to the Pond.

Table 18 Monticello Pond 1 Dispersion Parameters for Short Term Ground Level Releases > 500 Hrs/Yr or > 150 Hrs/Qtr

Site Boundary Sector*	χ/q (sec/m ³)	D/q (m ⁻²)
N	2.60E-05	8.00E-08
NNE	1.70E-04	4.90E-07
NE	3.50E-03	4.20E-06
ENE	3.80E-03	4.20E-06
E	3.70E-03	6.30E-06
ESE	3.00E-03	5.50E-06
SE	2.50E-03	5.20E-06
SSE	1.30E-03	2.90E-06
S	4.80E-04	1.20E-06
SSW	2.00E-04	6.00E-07
SW	1.30E-04	4.30E-07
WSW	6.00E-05	1.90E-07
W	3.60E-05	1.10E-07
WNW	1.20E-05	3.60E-08
NW	1.30E-05	4.10E-08
NNW	1.60E-05	5.10E-08

Period of record: 1/1/2016 to 12/31/2020

* Measured relative to the Pond.

Table 19 Monticello Pond 1 Dispersion Parameters for Short Term Ground Level Releases
> 500 Hrs/Yr or > 150 Hrs/Qtr

For Standard Distances (As Measured from the Pond) (χ/q), sec/m³

Sector*	Distance in Miles from Pond									
	0.1	0.2	0.3	0.4	0.5	0.6	0.7	0.8	0.9	1.0
N	7.10E-04	2.10E-04	1.00E-04	6.20E-05	4.20E-05	3.10E-05	2.40E-05	1.90E-05	1.50E-05	1.20E-05
NNE	6.50E-04	1.90E-04	9.20E-05	5.60E-05	3.80E-05	2.80E-05	2.20E-05	1.70E-05	1.30E-05	1.10E-05
NE	5.50E-04	1.60E-04	7.80E-05	4.80E-05	3.30E-05	2.50E-05	1.90E-05	1.50E-05	1.20E-05	9.80E-06
ENE	3.70E-04	1.10E-04	5.30E-05	3.20E-05	2.20E-05	1.90E-05	1.50E-05	1.20E-05	9.60E-06	7.90E-06
E	2.90E-04	8.60E-05	4.60E-05	2.80E-05	2.00E-05	1.50E-05	1.20E-05	9.60E-06	7.60E-06	6.20E-06
ESE	2.60E-04	7.60E-05	4.10E-05	2.60E-05	1.80E-05	1.40E-05	1.10E-05	8.60E-06	6.70E-06	5.40E-06
SE	3.20E-04	9.30E-05	5.00E-05	3.20E-05	2.30E-05	1.70E-05	1.30E-05	1.10E-05	8.30E-06	6.70E-06
SSE	3.60E-04	1.00E-04	5.70E-05	3.80E-05	2.70E-05	2.00E-05	1.50E-05	1.20E-05	9.20E-06	7.60E-06
S	4.20E-04	1.20E-04	6.10E-05	3.80E-05	2.70E-05	2.00E-05	1.60E-05	1.30E-05	1.00E-05	8.40E-06
SSW	3.50E-04	1.00E-04	5.10E-05	3.30E-05	2.30E-05	1.80E-05	1.50E-05	1.20E-05	9.20E-06	7.50E-06
SW	3.40E-04	9.90E-05	5.00E-05	3.20E-05	2.20E-05	1.80E-05	1.40E-05	1.10E-05	8.90E-06	7.30E-06
WSW	3.50E-04	1.00E-04	5.10E-05	3.20E-05	2.20E-05	1.80E-05	1.40E-05	1.10E-05	9.10E-06	7.40E-06
W	4.30E-04	1.20E-04	6.30E-05	3.90E-05	2.70E-05	2.10E-05	1.60E-05	1.30E-05	1.00E-05	8.50E-06
WNW	5.00E-04	1.50E-04	7.20E-05	4.40E-05	3.00E-05	2.30E-05	1.80E-05	1.50E-05	1.20E-05	9.50E-06
NW	4.60E-04	1.30E-04	6.60E-05	4.10E-05	2.80E-05	2.40E-05	1.90E-05	1.50E-05	1.20E-05	9.90E-06
NNW	6.00E-04	1.70E-04	8.60E-05	5.30E-05	3.70E-05	2.50E-05	2.00E-05	1.60E-05	1.20E-05	1.00E-05

Period of record: 1/1/2016 to 12/31/2020

* Measured relative to the Pond.

Table 19 Monticello Pond 1 Dispersion Parameters for Short Term Ground Level Releases
> 500 Hrs/Yr or > 150 Hrs/Qtr (cont'd)
For Standard Distances (As Measured from the Pond) (χ/q), sec/m³

Sector*	Distance in Miles from Pond									
	1.1	1.2	1.3	1.4	1.5	1.6	1.7	1.8	1.9	2.0
N	1.00E-05	8.80E-06	7.60E-06	6.70E-06	5.90E-06	5.30E-06	4.80E-06	4.40E-06	4.00E-06	3.60E-06
NNE	9.40E-06	8.00E-06	7.00E-06	6.10E-06	5.40E-06	4.80E-06	4.40E-06	4.00E-06	3.60E-06	3.30E-06
NE	8.20E-06	7.00E-06	6.10E-06	5.30E-06	4.70E-06	4.20E-06	3.80E-06	3.40E-06	3.10E-06	2.90E-06
ENE	6.60E-06	5.60E-06	4.80E-06	4.20E-06	3.70E-06	3.30E-06	2.40E-06	2.20E-06	2.00E-06	1.90E-06
E	5.10E-06	4.30E-06	3.70E-06	3.20E-06	2.80E-06	2.50E-06	2.20E-06	2.00E-06	1.80E-06	1.60E-06
ESE	4.50E-06	3.80E-06	3.20E-06	2.80E-06	2.50E-06	2.20E-06	1.90E-06	1.70E-06	1.60E-06	1.40E-06
SE	5.60E-06	4.70E-06	4.00E-06	3.50E-06	3.00E-06	2.70E-06	2.40E-06	2.10E-06	1.90E-06	1.80E-06
SSE	6.00E-06	5.10E-06	4.40E-06	3.80E-06	3.30E-06	3.00E-06	2.70E-06	2.40E-06	2.20E-06	2.00E-06
S	7.00E-06	5.90E-06	5.10E-06	4.50E-06	3.90E-06	3.50E-06	3.10E-06	2.80E-06	2.60E-06	2.30E-06
SSW	6.20E-06	5.30E-06	4.50E-06	3.90E-06	3.50E-06	3.10E-06	2.50E-06	2.30E-06	2.10E-06	1.90E-06
SW	6.10E-06	5.10E-06	4.40E-06	3.80E-06	3.40E-06	3.00E-06	2.50E-06	2.20E-06	2.00E-06	1.90E-06
WSW	6.20E-06	5.20E-06	4.50E-06	3.90E-06	3.50E-06	3.10E-06	2.50E-06	2.20E-06	2.00E-06	1.90E-06
W	7.10E-06	6.00E-06	5.20E-06	4.50E-06	4.00E-06	3.50E-06	3.20E-06	2.90E-06	2.60E-06	2.40E-06
WNW	7.90E-06	6.80E-06	5.80E-06	5.10E-06	4.50E-06	4.00E-06	3.70E-06	3.30E-06	3.00E-06	2.80E-06
NW	8.30E-06	7.00E-06	6.10E-06	5.30E-06	4.70E-06	4.20E-06	3.00E-06	2.70E-06	2.50E-06	2.30E-06
NNW	8.50E-06	7.20E-06	6.30E-06	5.50E-06	4.80E-06	4.30E-06	4.80E-06	4.40E-06	4.00E-06	3.60E-06

Period of record: 1/1/2016 to 12/31/2020

* Measured relative to the Pond.

Table 19 Monticello Pond 1 Dispersion Parameters for Short Term Ground Level Releases
> 500 Hrs/Yr or > 150 Hrs/Qtr (cont'd)
For Standard Distances (As Measured from the Pond) (χ/q), sec/m³

Sector*	Distance in Miles from Pond									
	2.1	2.2	2.3	2.4	2.5	2.6	2.7	2.8	2.9	3.0
N	3.40E-06	3.10E-06	2.90E-06	2.70E-06	2.50E-06	2.40E-06	2.20E-06	2.10E-06	2.00E-06	1.90E-06
NNE	3.00E-06	2.80E-06	2.60E-06	2.40E-06	2.30E-06	2.10E-06	2.00E-06	1.90E-06	1.80E-06	1.70E-06
NE	2.70E-06	2.50E-06	2.30E-06	2.10E-06	2.00E-06	1.90E-06	1.70E-06	1.60E-06	1.60E-06	1.50E-06
ENE	1.70E-06	1.60E-06	1.50E-06	1.40E-06	1.30E-06	1.20E-06	1.10E-06	1.10E-06	1.00E-06	9.50E-07
E	1.50E-06	1.40E-06	1.30E-06	1.20E-06	1.10E-06	1.00E-06	9.40E-07	8.80E-07	8.30E-07	7.80E-07
ESE	1.30E-06	1.20E-06	1.10E-06	1.00E-06	9.40E-07	8.80E-07	8.20E-07	7.70E-07	7.20E-07	6.80E-07
SE	1.60E-06	1.50E-06	1.40E-06	1.30E-06	1.20E-06	1.10E-06	1.00E-06	9.50E-07	8.90E-07	8.40E-07
SSE	1.80E-06	1.70E-06	1.60E-06	1.40E-06	1.30E-06	1.30E-06	1.20E-06	1.10E-06	1.00E-06	9.80E-07
S	2.10E-06	2.00E-06	1.80E-06	1.70E-06	1.60E-06	1.50E-06	1.40E-06	1.30E-06	1.20E-06	1.20E-06
SSW	1.70E-06	1.60E-06	1.50E-06	1.40E-06	1.30E-06	1.20E-06	1.10E-06	1.10E-06	1.00E-06	9.50E-07
SW	1.70E-06	1.60E-06	1.50E-06	1.30E-06	1.30E-06	1.20E-06	1.10E-06	1.00E-06	9.80E-07	9.20E-07
WSW	1.70E-06	1.60E-06	1.50E-06	1.40E-06	1.30E-06	1.20E-06	1.10E-06	1.00E-06	9.90E-07	9.30E-07
W	2.20E-06	2.00E-06	1.90E-06	1.70E-06	1.60E-06	1.50E-06	1.40E-06	1.30E-06	1.30E-06	1.20E-06
WNW	2.50E-06	2.30E-06	2.20E-06	2.00E-06	1.90E-06	1.80E-06	1.60E-06	1.60E-06	1.50E-06	1.40E-06
NW	2.10E-06	1.90E-06	1.80E-06	1.70E-06	1.60E-06	1.50E-06	1.40E-06	1.30E-06	1.20E-06	1.20E-06
NNW	3.30E-06	3.00E-06	2.80E-06	2.60E-06	2.40E-06	2.30E-06	2.10E-06	2.00E-06	1.90E-06	1.80E-06

Period of record: 1/1/2016 to 12/31/2020

* Measured relative to the Pond.

Table 19 Monticello Pond 1 Dispersion Parameters for Short Term Ground Level Releases
> 500 Hrs/Yr or > 150 Hrs/Qtr (cont'd)
For Standard Distances (As Measured from the Pond) (χ/q), sec/m³

Sector*	Distance in Miles from Pond									
	3.1	3.2	3.3	3.4	3.5	3.6	3.7	3.8	3.9	4.0
N	1.80E-06	1.70E-06	1.60E-06	1.50E-06	1.50E-06	1.40E-06	1.30E-06	1.30E-06	1.20E-06	1.20E-06
NNE	1.60E-06	1.50E-06	1.50E-06	1.40E-06	1.30E-06	1.30E-06	1.20E-06	1.20E-06	1.10E-06	1.10E-06
NE	1.40E-06	1.30E-06	1.30E-06	1.20E-06	1.10E-06	1.10E-06	1.10E-06	1.00E-06	9.70E-07	9.30E-07
ENE	9.00E-07	8.60E-07	8.20E-07	7.80E-07	7.50E-07	7.10E-07	6.80E-07	6.60E-07	6.30E-07	6.10E-07
E	7.30E-07	6.90E-07	6.60E-07	6.20E-07	5.90E-07	5.60E-07	5.40E-07	5.10E-07	4.90E-07	4.70E-07
ESE	6.40E-07	6.10E-07	5.70E-07	5.40E-07	5.20E-07	4.90E-07	4.70E-07	4.50E-07	4.30E-07	4.10E-07
SE	7.90E-07	7.50E-07	7.10E-07	6.70E-07	6.40E-07	6.10E-07	5.80E-07	5.50E-07	5.30E-07	5.10E-07
SSE	9.30E-07	8.80E-07	8.40E-07	7.90E-07	7.60E-07	7.20E-07	6.90E-07	6.60E-07	6.30E-07	6.10E-07
S	1.10E-06	1.00E-06	9.90E-07	9.40E-07	9.00E-07	8.60E-07	8.20E-07	7.80E-07	7.50E-07	7.20E-07
SSW	8.90E-07	8.50E-07	8.10E-07	7.70E-07	7.30E-07	7.00E-07	6.70E-07	6.40E-07	6.10E-07	5.90E-07
SW	8.70E-07	8.30E-07	7.90E-07	7.50E-07	7.10E-07	6.80E-07	6.50E-07	6.20E-07	6.00E-07	5.70E-07
WSW	8.80E-07	8.40E-07	8.00E-07	7.60E-07	7.30E-07	6.90E-07	6.60E-07	6.40E-07	6.10E-07	5.90E-07
W	1.10E-06	1.10E-06	1.00E-06	9.60E-07	9.20E-07	8.80E-07	8.40E-07	8.00E-07	7.70E-07	7.40E-07
WNW	1.30E-06	1.20E-06	1.20E-06	1.10E-06	1.10E-06	1.00E-06	9.80E-07	9.40E-07	9.00E-07	8.60E-07
NW	1.10E-06	1.10E-06	1.00E-06	9.70E-07	9.30E-07	8.90E-07	8.50E-07	8.10E-07	7.80E-07	7.50E-07
NNW	1.70E-06	1.60E-06	1.50E-06	1.40E-06	1.40E-06	1.30E-06	1.20E-06	1.20E-06	1.10E-06	1.10E-06

Period of record: 1/1/2016 to 12/31/2020

* Measured relative to the Pond.

Table 19 Monticello Pond 1 Dispersion Parameters for Short Term Ground Level Releases
> 500 Hrs/Yr or > 150 Hrs/Qtr (cont'd)
For Standard Distances (As Measured from the Pond) (χ/q), sec/m³

Sector*	Distance in Miles from Pond									
	4.1	4.2	4.3	4.4	4.5	4.6	4.7	4.8	4.9	5.0
N	1.20E-06	1.10E-06	1.10E-06	1.00E-06	1.00E-06	9.70E-07	9.40E-07	9.10E-07	8.80E-07	8.50E-07
NNE	1.00E-06	1.00E-06	9.70E-07	9.30E-07	9.00E-07	8.70E-07	8.50E-07	8.20E-07	7.90E-07	7.70E-07
NE	9.00E-07	8.60E-07	8.30E-07	8.00E-07	7.80E-07	7.50E-07	7.30E-07	7.00E-07	6.80E-07	6.60E-07
ENE	5.80E-07	5.60E-07	5.40E-07	5.20E-07	5.10E-07	4.90E-07	4.70E-07	4.60E-07	4.50E-07	4.30E-07
E	4.50E-07	4.30E-07	4.10E-07	4.00E-07	3.80E-07	3.70E-07	3.60E-07	3.40E-07	3.30E-07	3.20E-07
ESE	3.90E-07	3.80E-07	3.60E-07	3.50E-07	3.40E-07	3.20E-07	3.10E-07	3.00E-07	2.90E-07	2.80E-07
SE	4.80E-07	4.60E-07	4.50E-07	4.30E-07	4.10E-07	4.00E-07	3.80E-07	3.70E-07	3.60E-07	3.50E-07
SSE	5.80E-07	5.60E-07	5.40E-07	5.20E-07	5.00E-07	4.80E-07	4.70E-07	4.50E-07	4.40E-07	4.20E-07
S	6.90E-07	6.70E-07	6.40E-07	6.20E-07	6.00E-07	5.80E-07	5.60E-07	5.40E-07	5.20E-07	5.00E-07
SSW	5.70E-07	5.40E-07	5.20E-07	5.00E-07	4.90E-07	4.70E-07	4.50E-07	4.40E-07	4.30E-07	4.10E-07
SW	5.50E-07	5.30E-07	5.10E-07	4.90E-07	4.70E-07	4.60E-07	4.40E-07	4.30E-07	4.10E-07	4.00E-07
WSW	5.60E-07	5.40E-07	5.20E-07	5.00E-07	4.90E-07	4.70E-07	4.50E-07	4.40E-07	4.30E-07	4.10E-07
W	7.10E-07	6.80E-07	6.60E-07	6.30E-07	6.10E-07	5.90E-07	5.70E-07	5.50E-07	5.30E-07	5.20E-07
WNW	8.30E-07	8.00E-07	7.70E-07	7.40E-07	7.20E-07	6.90E-07	6.70E-07	6.50E-07	6.30E-07	6.10E-07
NW	7.20E-07	7.00E-07	6.70E-07	6.50E-07	6.30E-07	6.10E-07	5.90E-07	5.70E-07	5.50E-07	5.40E-07
NNW	1.00E-06	1.00E-06	9.60E-07	9.30E-07	8.90E-07	8.60E-07	8.30E-07	8.10E-07	7.80E-07	7.50E-07

Period of record: 1/1/2016 to 12/31/2020

* Measured relative to the Pond.

Table 19 Monticello Pond 1 Dispersion Parameters for Short Term Ground Level Releases
> 500 Hrs/Yr or > 150 Hrs/Qtr (cont'd)
For Standard Distances (As Measured from the Pond) (χ/q), sec/m³

Sector*	Distance in Miles from Pond									
	7.5	10	15	20	25	30	35	40	45	50
N	1.20E-07	8.10E-08	4.80E-08	3.30E-08	2.50E-08	2.00E-08	1.70E-08	1.40E-08	1.20E-08	1.10E-08
NNE	1.10E-07	7.00E-08	4.20E-08	2.90E-08	2.20E-08	1.70E-08	1.40E-08	1.20E-08	1.10E-08	9.30E-09
NE	8.20E-08	5.40E-08	3.20E-08	2.20E-08	1.70E-08	1.30E-08	1.10E-08	9.20E-09	7.90E-09	7.00E-09
ENE	5.60E-08	3.70E-08	2.10E-08	1.50E-08	1.10E-08	8.70E-09	7.10E-09	6.00E-09	5.10E-09	4.50E-09
E	5.40E-08	3.50E-08	2.00E-08	1.40E-08	1.00E-08	7.80E-09	6.40E-09	5.40E-09	4.60E-09	4.00E-09
ESE	4.20E-08	2.70E-08	1.50E-08	1.00E-08	7.70E-09	6.10E-09	4.90E-09	4.10E-09	3.50E-09	3.10E-09
SE	6.00E-08	3.90E-08	2.20E-08	1.50E-08	1.10E-08	8.60E-09	7.00E-09	5.90E-09	5.00E-09	4.40E-09
SSE	7.30E-08	4.70E-08	2.70E-08	1.80E-08	1.40E-08	1.10E-08	8.80E-09	7.40E-09	6.30E-09	5.50E-09
S	6.40E-08	4.10E-08	2.40E-08	1.60E-08	1.20E-08	9.60E-09	7.90E-09	6.60E-09	5.70E-09	4.90E-09
SSW	5.30E-08	3.40E-08	2.00E-08	1.30E-08	1.00E-08	7.90E-09	6.40E-09	5.40E-09	4.60E-09	4.00E-09
SW	5.00E-08	3.30E-08	1.90E-08	1.30E-08	9.50E-09	7.50E-09	6.10E-09	5.10E-09	4.40E-09	3.80E-09
WSW	5.10E-08	3.30E-08	1.90E-08	1.30E-08	9.80E-09	7.70E-09	6.30E-09	5.30E-09	4.60E-09	4.00E-09
W	6.40E-08	4.20E-08	2.40E-08	1.70E-08	1.20E-08	9.80E-09	8.00E-09	6.80E-09	5.80E-09	5.10E-09
WNW	8.00E-08	5.30E-08	3.10E-08	2.10E-08	1.60E-08	1.30E-08	1.00E-08	8.80E-09	7.60E-09	6.60E-09
NW	8.70E-08	5.70E-08	3.30E-08	2.30E-08	1.70E-08	1.40E-08	1.10E-08	9.30E-09	8.00E-09	7.00E-09
NNW	8.70E-08	5.80E-08	3.40E-08	2.30E-08	1.80E-08	1.40E-08	1.10E-08	9.60E-09	8.30E-09	7.30E-09

Period of record: 1/1/2016 to 12/31/2020

* Measured relative to the Pond.

Table 20 Monticello Pond 1 Dispersion Parameters for Short Term Ground Level Releases
> 500 Hrs/Yr or > 150 Hrs/Qtr

For Standard Distances (As Measured from the Pond) (D/q), m⁻²

Sector*	Distance in Miles from Pond									
	0.1	0.2	0.3	0.4	0.5	0.6	0.7	0.8	0.9	1.0
N	1.40E-06	5.40E-07	2.90E-07	1.80E-07	1.30E-07	9.30E-08	7.10E-08	5.50E-08	4.30E-08	3.40E-08
NNE	1.40E-06	5.20E-07	2.80E-07	1.80E-07	1.20E-07	9.00E-08	7.00E-08	5.40E-08	4.20E-08	3.30E-08
NE	1.10E-06	4.20E-07	2.30E-07	1.40E-07	9.80E-08	7.30E-08	5.60E-08	4.40E-08	3.40E-08	2.70E-08
ENE	8.60E-07	3.20E-07	1.70E-07	1.10E-07	7.30E-08	6.10E-08	4.80E-08	3.70E-08	2.90E-08	2.30E-08
E	1.10E-06	4.30E-07	2.40E-07	1.50E-07	1.00E-07	7.60E-08	6.00E-08	4.70E-08	3.70E-08	2.90E-08
ESE	1.00E-06	3.90E-07	2.20E-07	1.40E-07	9.70E-08	7.20E-08	5.60E-08	4.40E-08	3.40E-08	2.70E-08
SE	1.30E-06	4.70E-07	2.60E-07	1.70E-07	1.20E-07	8.70E-08	6.80E-08	5.30E-08	4.10E-08	3.20E-08
SSE	1.20E-06	4.50E-07	2.60E-07	1.70E-07	1.20E-07	8.80E-08	6.60E-08	5.00E-08	3.90E-08	3.10E-08
S	1.00E-06	3.90E-07	2.10E-07	1.30E-07	9.00E-08	6.80E-08	5.40E-08	4.20E-08	3.30E-08	2.60E-08
SSW	9.40E-07	3.50E-07	1.90E-07	1.20E-07	8.30E-08	6.50E-08	5.10E-08	4.00E-08	3.10E-08	2.50E-08
SW	9.10E-07	3.40E-07	1.80E-07	1.10E-07	8.00E-08	6.30E-08	4.90E-08	3.90E-08	3.00E-08	2.40E-08
WSW	8.20E-07	3.00E-07	1.60E-07	1.00E-07	7.10E-08	5.70E-08	4.50E-08	3.50E-08	2.70E-08	2.20E-08
W	9.60E-07	3.60E-07	1.90E-07	1.20E-07	8.20E-08	6.20E-08	4.90E-08	3.90E-08	3.00E-08	2.40E-08
WNW	1.10E-06	4.20E-07	2.20E-07	1.40E-07	9.70E-08	7.30E-08	5.80E-08	4.50E-08	3.50E-08	2.80E-08
NW	1.10E-06	4.20E-07	2.20E-07	1.40E-07	9.50E-08	8.00E-08	6.30E-08	4.90E-08	3.80E-08	3.10E-08
NNW	1.30E-06	5.00E-07	2.70E-07	1.70E-07	1.20E-07	7.80E-08	6.10E-08	4.80E-08	3.70E-08	3.00E-08

Period of record: 1/1/2016 to 12/31/2020

* Measured relative to the Pond.

Table 20 Monticello Pond 1 Dispersion Parameters for Short Term Ground Level Releases
> 500 Hrs/Yr or > 150 Hrs/Qtr (cont'd)
For Standard Distances (As Measured from the Pond) (D/q), m⁻²

Sector*	Distance in Miles from Pond									
	1.1	1.2	1.3	1.4	1.5	1.6	1.7	1.8	1.9	2.0
N	2.80E-08	2.30E-08	2.00E-08	1.70E-08	1.40E-08	1.30E-08	1.10E-08	9.90E-09	8.90E-09	8.00E-09
NNE	2.70E-08	2.30E-08	1.90E-08	1.60E-08	1.40E-08	1.20E-08	1.10E-08	9.70E-09	8.70E-09	7.80E-09
NE	2.20E-08	1.80E-08	1.60E-08	1.30E-08	1.10E-08	1.00E-08	8.90E-09	7.90E-09	7.00E-09	6.30E-09
ENE	1.90E-08	1.60E-08	1.30E-08	1.10E-08	9.80E-09	8.50E-09	6.20E-09	5.50E-09	4.90E-09	4.40E-09
E	2.40E-08	2.00E-08	1.60E-08	1.40E-08	1.20E-08	1.00E-08	9.20E-09	8.10E-09	7.20E-09	6.50E-09
ESE	2.20E-08	1.80E-08	1.50E-08	1.30E-08	1.10E-08	9.60E-09	8.50E-09	7.50E-09	6.70E-09	6.00E-09
SE	2.60E-08	2.20E-08	1.80E-08	1.50E-08	1.30E-08	1.20E-08	1.00E-08	9.00E-09	8.00E-09	7.20E-09
SSE	2.40E-08	2.00E-08	1.70E-08	1.40E-08	1.30E-08	1.10E-08	9.60E-09	8.50E-09	7.60E-09	6.90E-09
S	2.10E-08	1.80E-08	1.50E-08	1.30E-08	1.10E-08	9.60E-09	8.50E-09	7.50E-09	6.70E-09	6.00E-09
SSW	2.00E-08	1.70E-08	1.40E-08	1.20E-08	1.00E-08	9.10E-09	7.40E-09	6.60E-09	5.90E-09	5.30E-09
SW	2.00E-08	1.60E-08	1.40E-08	1.20E-08	1.00E-08	8.80E-09	7.10E-09	6.30E-09	5.70E-09	5.10E-09
WSW	1.80E-08	1.50E-08	1.20E-08	1.10E-08	9.20E-09	8.00E-09	6.30E-09	5.60E-09	5.00E-09	4.50E-09
W	2.00E-08	1.60E-08	1.40E-08	1.20E-08	1.00E-08	8.80E-09	7.80E-09	6.90E-09	6.20E-09	5.50E-09
WNW	2.30E-08	1.90E-08	1.60E-08	1.40E-08	1.20E-08	1.00E-08	9.30E-09	8.20E-09	7.30E-09	6.60E-09
NW	2.50E-08	2.10E-08	1.70E-08	1.50E-08	1.30E-08	1.10E-08	8.00E-09	7.10E-09	6.40E-09	5.70E-09
NNW	2.40E-08	2.00E-08	1.70E-08	1.40E-08	1.30E-08	1.10E-08	1.20E-08	1.10E-08	9.50E-09	8.50E-09

Period of record: 1/1/2016 to 12/31/2020

* Measured relative to the Pond.

Table 20 Monticello Pond 1 Dispersion Parameters for Short Term Ground Level Releases
> 500 Hrs/Yr or > 150 Hrs/Qtr (cont'd)
For Standard Distances (As Measured from the Pond) (D/q), m⁻²

Sector*	Distance in Miles from Pond									
	2.1	2.2	2.3	2.4	2.5	2.6	2.7	2.8	2.9	3.0
N	7.20E-09	6.50E-09	6.00E-09	5.50E-09	5.00E-09	4.70E-09	4.30E-09	4.00E-09	3.70E-09	3.50E-09
NNE	7.00E-09	6.40E-09	5.80E-09	5.40E-09	4.90E-09	4.50E-09	4.20E-09	3.90E-09	3.60E-09	3.40E-09
NE	5.70E-09	5.20E-09	4.70E-09	4.30E-09	4.00E-09	3.70E-09	3.40E-09	3.20E-09	3.00E-09	2.80E-09
ENE	4.00E-09	3.70E-09	3.40E-09	3.10E-09	2.80E-09	2.60E-09	2.40E-09	2.30E-09	2.10E-09	2.00E-09
E	5.80E-09	5.30E-09	4.80E-09	4.40E-09	4.00E-09	3.70E-09	3.40E-09	3.20E-09	2.90E-09	2.70E-09
ESE	5.40E-09	4.90E-09	4.40E-09	4.00E-09	3.70E-09	3.40E-09	3.20E-09	2.90E-09	2.70E-09	2.50E-09
SE	6.50E-09	5.90E-09	5.30E-09	4.90E-09	4.50E-09	4.10E-09	3.80E-09	3.50E-09	3.30E-09	3.10E-09
SSE	6.20E-09	5.60E-09	5.20E-09	4.70E-09	4.30E-09	4.00E-09	3.70E-09	3.40E-09	3.20E-09	3.00E-09
S	5.50E-09	5.00E-09	4.50E-09	4.10E-09	3.80E-09	3.50E-09	3.30E-09	3.00E-09	2.80E-09	2.60E-09
SSW	4.80E-09	4.30E-09	4.00E-09	3.60E-09	3.30E-09	3.10E-09	2.90E-09	2.70E-09	2.50E-09	2.30E-09
SW	4.60E-09	4.20E-09	3.80E-09	3.50E-09	3.20E-09	3.00E-09	2.80E-09	2.60E-09	2.40E-09	2.20E-09
WSW	4.10E-09	3.70E-09	3.40E-09	3.10E-09	2.90E-09	2.70E-09	2.50E-09	2.30E-09	2.10E-09	2.00E-09
W	5.00E-09	4.50E-09	4.20E-09	3.80E-09	3.50E-09	3.20E-09	3.00E-09	2.80E-09	2.60E-09	2.40E-09
WNW	6.00E-09	5.40E-09	4.90E-09	4.50E-09	4.10E-09	3.80E-09	3.50E-09	3.30E-09	3.10E-09	2.80E-09
NW	5.20E-09	4.70E-09	4.30E-09	4.00E-09	3.70E-09	3.40E-09	3.20E-09	2.90E-09	2.70E-09	2.60E-09
NNW	7.60E-09	6.90E-09	6.30E-09	5.70E-09	5.30E-09	4.80E-09	4.50E-09	4.10E-09	3.80E-09	3.60E-09

Period of record: 1/1/2016 to 12/31/2020

* Measured relative to the Pond.

Table 20 Monticello Pond 1 Dispersion Parameters for Short Term Ground Level Releases
> 500 Hrs/Yr or > 150 Hrs/Qtr (cont'd)
For Standard Distances (As Measured from the Pond) (D/q), m⁻²

Sector*	Distance in Miles from Pond									
	3.1	3.2	3.3	3.4	3.5	3.6	3.7	3.8	3.9	4.0
N	3.30E-09	3.10E-09	2.90E-09	2.70E-09	2.60E-09	2.40E-09	2.30E-09	2.20E-09	2.10E-09	2.00E-09
NNE	3.20E-09	3.00E-09	2.80E-09	2.60E-09	2.50E-09	2.40E-09	2.20E-09	2.10E-09	2.00E-09	1.90E-09
NE	2.60E-09	2.40E-09	2.30E-09	2.10E-09	2.00E-09	1.90E-09	1.80E-09	1.70E-09	1.60E-09	1.50E-09
ENE	1.90E-09	1.70E-09	1.60E-09	1.60E-09	1.50E-09	1.40E-09	1.30E-09	1.30E-09	1.20E-09	1.10E-09
E	2.60E-09	2.40E-09	2.20E-09	2.10E-09	2.00E-09	1.90E-09	1.80E-09	1.70E-09	1.60E-09	1.50E-09
ESE	2.40E-09	2.20E-09	2.10E-09	1.90E-09	1.80E-09	1.70E-09	1.60E-09	1.50E-09	1.50E-09	1.40E-09
SE	2.90E-09	2.70E-09	2.50E-09	2.40E-09	2.20E-09	2.10E-09	2.00E-09	1.90E-09	1.80E-09	1.70E-09
SSE	2.80E-09	2.60E-09	2.50E-09	2.30E-09	2.20E-09	2.10E-09	2.00E-09	1.90E-09	1.80E-09	1.70E-09
S	2.50E-09	2.30E-09	2.20E-09	2.00E-09	1.90E-09	1.80E-09	1.70E-09	1.60E-09	1.50E-09	1.50E-09
SSW	2.20E-09	2.00E-09	1.90E-09	1.80E-09	1.70E-09	1.60E-09	1.50E-09	1.40E-09	1.40E-09	1.30E-09
SW	2.10E-09	2.00E-09	1.80E-09	1.70E-09	1.60E-09	1.50E-09	1.50E-09	1.40E-09	1.30E-09	1.30E-09
WSW	1.90E-09	1.80E-09	1.60E-09	1.60E-09	1.50E-09	1.40E-09	1.30E-09	1.20E-09	1.20E-09	1.10E-09
W	2.20E-09	2.10E-09	2.00E-09	1.90E-09	1.80E-09	1.70E-09	1.60E-09	1.50E-09	1.40E-09	1.30E-09
WNW	2.70E-09	2.50E-09	2.30E-09	2.20E-09	2.10E-09	2.00E-09	1.90E-09	1.80E-09	1.70E-09	1.60E-09
NW	2.40E-09	2.30E-09	2.10E-09	2.00E-09	1.90E-09	1.80E-09	1.70E-09	1.60E-09	1.50E-09	1.50E-09
NNW	3.30E-09	3.10E-09	2.90E-09	2.70E-09	2.60E-09	2.40E-09	2.30E-09	2.20E-09	2.00E-09	1.90E-09

Period of record: 1/1/2016 to 12/31/2020

* Measured relative to the Pond.

Table 20 Monticello Pond 1 Dispersion Parameters for Short Term Ground Level Releases
> 500 Hrs/Yr or > 150 Hrs/Qtr (cont'd)
For Standard Distances (As Measured from the Pond) (D/q), m⁻²

Sector*	Distance in Miles from Pond									
	4.1	4.2	4.3	4.4	4.5	4.6	4.7	4.8	4.9	5.0
N	1.90E-09	1.80E-09	1.70E-09	1.60E-09	1.50E-09	1.50E-09	1.40E-09	1.40E-09	1.30E-09	1.30E-09
NNE	1.80E-09	1.70E-09	1.60E-09	1.60E-09	1.50E-09	1.40E-09	1.40E-09	1.30E-09	1.30E-09	1.20E-09
NE	1.50E-09	1.40E-09	1.30E-09	1.30E-09	1.20E-09	1.20E-09	1.10E-09	1.10E-09	1.00E-09	9.90E-10
ENE	1.10E-09	1.00E-09	9.80E-10	9.40E-10	9.00E-10	8.60E-10	8.30E-10	8.00E-10	7.70E-10	7.40E-10
E	1.40E-09	1.40E-09	1.30E-09	1.20E-09	1.20E-09	1.10E-09	1.10E-09	1.00E-09	9.90E-10	9.50E-10
ESE	1.30E-09	1.30E-09	1.20E-09	1.10E-09	1.10E-09	1.00E-09	9.90E-10	9.50E-10	9.10E-10	8.80E-10
SE	1.60E-09	1.50E-09	1.40E-09	1.40E-09	1.30E-09	1.30E-09	1.20E-09	1.20E-09	1.10E-09	1.10E-09
SSE	1.60E-09	1.50E-09	1.50E-09	1.40E-09	1.30E-09	1.30E-09	1.20E-09	1.20E-09	1.10E-09	1.10E-09
S	1.40E-09	1.30E-09	1.30E-09	1.20E-09	1.20E-09	1.10E-09	1.10E-09	1.00E-09	9.80E-10	9.40E-10
SSW	1.20E-09	1.20E-09	1.10E-09	1.10E-09	1.00E-09	9.80E-10	9.40E-10	9.00E-10	8.70E-10	8.30E-10
SW	1.20E-09	1.10E-09	1.10E-09	1.00E-09	1.00E-09	9.50E-10	9.10E-10	8.80E-10	8.40E-10	8.10E-10
WSW	1.10E-09	1.00E-09	9.70E-10	9.30E-10	8.90E-10	8.50E-10	8.20E-10	7.90E-10	7.50E-10	7.30E-10
W	1.30E-09	1.20E-09	1.20E-09	1.10E-09	1.10E-09	1.00E-09	9.70E-10	9.30E-10	9.00E-10	8.60E-10
WNW	1.50E-09	1.40E-09	1.40E-09	1.30E-09	1.20E-09	1.20E-09	1.10E-09	1.10E-09	1.10E-09	1.00E-09
NW	1.40E-09	1.30E-09	1.30E-09	1.20E-09	1.20E-09	1.10E-09	1.10E-09	1.00E-09	9.90E-10	9.50E-10
NNW	1.80E-09	1.80E-09	1.70E-09	1.60E-09	1.50E-09	1.50E-09	1.40E-09	1.30E-09	1.30E-09	1.20E-09

Period of record: 1/1/2016 to 12/31/2020

* Measured relative to the Pond.

Table 20 Monticello Pond 1 Dispersion Parameters for Short Term Ground Level Releases
> 500 Hrs/Yr or > 150 Hrs/Qtr (cont'd)
For Standard Distances (As Measured from the Pond) (D/q), m⁻²

Sector*	Distance in Miles from Pond									
	7.5	10	15	20	25	30	35	40	45	50
N	1.50E-10	9.10E-11	4.60E-11	2.80E-11	1.90E-11	1.30E-11	1.00E-11	7.80E-12	6.20E-12	5.10E-12
NNE	1.40E-10	8.50E-11	4.30E-11	2.60E-11	1.70E-11	1.20E-11	9.30E-12	7.30E-12	5.80E-12	4.70E-12
NE	1.00E-10	6.30E-11	3.20E-11	1.90E-11	1.30E-11	9.20E-12	6.90E-12	5.40E-12	4.30E-12	3.50E-12
ENE	8.20E-11	5.00E-11	2.50E-11	1.50E-11	1.00E-11	7.30E-12	5.50E-12	4.30E-12	3.40E-12	2.80E-12
E	1.40E-10	8.30E-11	4.20E-11	2.50E-11	1.70E-11	1.20E-11	9.20E-12	7.10E-12	5.70E-12	4.70E-12
ESE	1.10E-10	6.90E-11	3.50E-11	2.10E-11	1.40E-11	1.00E-11	7.60E-12	5.90E-12	4.70E-12	3.80E-12
SE	1.60E-10	9.80E-11	4.90E-11	3.00E-11	2.00E-11	1.40E-11	1.10E-11	8.40E-12	6.70E-12	5.50E-12
SSE	1.60E-10	9.80E-11	4.90E-11	3.00E-11	2.00E-11	1.40E-11	1.10E-11	8.40E-12	6.70E-12	5.50E-12
S	1.00E-10	6.20E-11	3.10E-11	1.90E-11	1.30E-11	9.10E-12	6.80E-12	5.30E-12	4.20E-12	3.40E-12
SSW	9.20E-11	5.60E-11	2.80E-11	1.70E-11	1.10E-11	8.20E-12	6.20E-12	4.80E-12	3.80E-12	3.10E-12
SW	8.80E-11	5.30E-11	2.70E-11	1.60E-11	1.10E-11	7.80E-12	5.90E-12	4.60E-12	3.60E-12	3.00E-12
WSW	7.70E-11	4.70E-11	2.40E-11	1.40E-11	9.60E-12	6.90E-12	5.20E-12	4.00E-12	3.20E-12	2.60E-12
W	9.20E-11	5.60E-11	2.80E-11	1.70E-11	1.10E-11	8.20E-12	6.10E-12	4.80E-12	3.80E-12	3.10E-12
WNW	1.10E-10	6.80E-11	3.40E-11	2.10E-11	1.40E-11	1.00E-11	7.50E-12	5.80E-12	4.70E-12	3.80E-12
NW	1.30E-10	7.90E-11	4.00E-11	2.40E-11	1.60E-11	1.20E-11	8.80E-12	6.80E-12	5.40E-12	4.40E-12
NNW	1.20E-10	7.30E-11	3.70E-11	2.20E-11	1.50E-11	1.10E-11	8.00E-12	6.20E-12	5.00E-12	4.10E-12

Period of record: 1/1/2016 to 12/31/2020

* Measured relative to the Pond.

Table 21 Monticello Pond 2A-2C Dispersion Parameters for Long Term Ground Level Releases
> 500 Hrs/Yr or > 150 Hrs/Qtr

Site Boundary Sector*	POND 2A*		POND 2B*		POND 2C*	
	χ/Q (sec/m ³)	D/Q (m ⁻²)	χ/Q (sec/m ³)	D/Q (m ⁻²)	χ/Q (sec/m ³)	D/Q (m ⁻²)
N	9.61E-06	2.54E-08	9.33E-06	2.46E-08	8.28E-06	2.17E-08
NNE	8.28E-06	2.36E-08	1.03E-05	2.96E-08	1.60E-04	3.67E-07
NE	6.58E-05	1.60E-07	1.57E-04	3.26E-07	5.69E-04	8.49E-07
ENE	9.28E-05	2.27E-07	2.03E-04	4.14E-07	9.32E-04	1.20E-06
E	1.17E-04	4.63E-07	2.85E-04	8.96E-07	1.45E-03	2.70E-06
ESE	9.85E-05	3.98E-07	2.53E-04	7.99E-07	1.39E-03	2.51E-06
SE	1.30E-04	5.29E-07	3.38E-04	1.08E-06	1.87E-03	3.40E-06
SSE	1.46E-04	5.01E-07	2.77E-04	8.17E-07	1.48E-03	2.62E-06
S	1.61E-04	3.81E-07	2.23E-04	4.89E-07	5.34E-04	9.12E-07
SSW	1.18E-04	3.12E-07	1.93E-04	4.54E-07	2.88E-04	6.07E-07
SW	6.63E-05	1.96E-07	1.26E-04	3.24E-07	1.89E-04	4.40E-07
WSW	3.55E-05	9.82E-08	3.65E-05	1.01E-07	7.49E-05	1.88E-07
W	2.25E-05	6.11E-08	2.31E-05	6.26E-08	2.28E-05	6.19E-08
WNW	7.40E-06	2.07E-08	6.55E-06	1.82E-08	5.81E-06	1.60E-08
NW	5.40E-06	1.54E-08	4.80E-06	1.35E-08	4.25E-06	1.17E-08
NNW	5.58E-06	1.50E-08	4.92E-06	1.31E-08	4.50E-06	1.18E-08

Period of record: 1/1/2016 to 12/31/2020

* Measured relevant to the respective Pond (2A-2C)

Table 22 Monticello Pond 2A-2C Dispersion Parameters for Long Term Ground Level Releases
> 500 Hrs/Yr or > 150 Hrs/Qtr

For Standard Distances (As Measured from the Pond 2A-2C 2A-2C) (χ/Q), sec/m³

Sector*	Distance in Miles from Pond									
	0.1	0.2	0.3	0.4	0.5	0.6	0.7	0.8	0.9	1.0
N	3.82E-04	1.10E-04	5.49E-05	3.39E-05	2.33E-05	1.74E-05	1.35E-05	1.04E-05	7.76E-06	6.11E-06
NNE	3.34E-04	9.66E-05	4.80E-05	2.96E-05	2.03E-05	1.51E-05	1.17E-05	8.97E-06	6.71E-06	5.29E-06
NE	2.60E-04	7.52E-05	3.77E-05	2.34E-05	1.62E-05	1.21E-05	9.46E-06	7.29E-06	5.47E-06	4.30E-06
ENE	1.81E-04	5.24E-05	2.65E-05	1.68E-05	1.17E-05	8.87E-06	6.98E-06	5.41E-06	4.06E-06	3.18E-06
E	1.78E-04	5.19E-05	2.69E-05	1.72E-05	1.21E-05	9.16E-06	7.20E-06	5.56E-06	4.16E-06	3.24E-06
ESE	1.42E-04	4.14E-05	2.16E-05	1.38E-05	9.69E-06	7.29E-06	5.71E-06	4.40E-06	3.28E-06	2.55E-06
SE	2.05E-04	5.98E-05	3.13E-05	2.01E-05	1.41E-05	1.07E-05	8.36E-06	6.44E-06	4.81E-06	3.74E-06
SSE	2.46E-04	5.98E-05	3.72E-05	2.37E-05	1.66E-05	1.25E-05	8.36E-06	7.56E-06	5.66E-06	4.41E-06
S	2.13E-04	6.18E-05	3.17E-05	2.01E-05	1.40E-05	1.06E-05	8.30E-06	6.40E-06	4.79E-06	3.74E-06
SSW	1.77E-04	5.17E-05	2.67E-05	1.70E-05	1.19E-05	8.96E-06	7.01E-06	5.41E-06	4.04E-06	3.15E-06
SW	1.70E-04	4.95E-05	2.56E-05	1.64E-05	1.15E-05	8.63E-06	6.76E-06	5.21E-06	3.90E-06	3.04E-06
WSW	1.72E-04	5.00E-05	2.58E-05	1.64E-05	1.14E-05	8.57E-06	6.69E-06	5.15E-06	3.85E-06	3.00E-06
W	2.14E-04	6.23E-05	3.20E-05	2.03E-05	1.41E-05	1.06E-05	8.27E-06	6.36E-06	4.76E-06	3.72E-06
WNW	2.59E-04	7.52E-05	3.81E-05	2.39E-05	1.65E-05	1.24E-05	9.62E-06	7.40E-06	5.53E-06	4.34E-06
NW	2.79E-04	8.06E-05	4.09E-05	2.58E-05	1.79E-05	1.35E-05	1.06E-05	8.17E-06	6.12E-06	4.80E-06
NNW	2.79E-04	8.07E-05	4.06E-05	2.54E-05	1.76E-05	1.32E-05	1.03E-05	7.95E-06	5.96E-06	4.68E-06

Period of record: 1/1/2016 to 12/31/2020

* Measured relevant to the respective Pond (2A-2C).

Table 22 Monticello Pond 2A-2C Dispersion Parameters for Long Term Ground Level Releases
> 500 Hrs/Yr or > 150 Hrs/Qtr (cont'd)
For Standard Distances (As Measured from the Pond 2A-2C) (χ/Q), sec/m³

Sector*	Distance in Miles from Pond									
	1.1	1.2	1.3	1.4	1.5	1.6	1.7	1.8	1.9	2.0
N	4.94E-06	4.08E-06	3.43E-06	2.92E-06	2.52E-06	2.20E-06	1.94E-06	1.73E-06	1.55E-06	1.39E-06
NNE	4.27E-06	3.53E-06	2.96E-06	2.53E-06	2.18E-06	1.91E-06	1.68E-06	1.49E-06	1.34E-06	1.21E-06
NE	3.46E-06	2.85E-06	2.39E-06	2.04E-06	1.76E-06	1.53E-06	1.35E-06	1.20E-06	1.07E-06	9.64E-07
ENE	2.55E-06	2.10E-06	1.75E-06	1.49E-06	1.28E-06	1.11E-06	9.76E-07	8.65E-07	7.72E-07	6.94E-07
E	2.59E-06	2.12E-06	1.76E-06	1.49E-06	1.28E-06	1.11E-06	9.71E-07	8.58E-07	7.64E-07	6.85E-07
ESE	2.04E-06	1.67E-06	1.39E-06	1.17E-06	1.01E-06	8.72E-07	7.63E-07	6.74E-07	6.00E-07	5.38E-07
SE	2.99E-06	2.44E-06	2.03E-06	1.71E-06	1.47E-06	1.27E-06	1.11E-06	9.82E-07	8.73E-07	7.83E-07
SSE	3.53E-06	2.44E-06	2.40E-06	2.03E-06	1.75E-06	1.51E-06	1.11E-06	1.17E-06	1.04E-06	9.36E-07
S	3.00E-06	2.46E-06	1.06E-05	1.74E-06	1.49E-06	1.30E-06	1.14E-06	1.01E-06	8.98E-07	8.06E-07
SSW	2.53E-06	2.07E-06	1.03E-05	1.46E-06	1.25E-06	1.09E-06	9.53E-07	8.43E-07	7.51E-07	6.74E-07
SW	2.43E-06	1.99E-06	1.35E-05	1.41E-06	1.21E-06	1.05E-06	9.17E-07	8.10E-07	7.22E-07	6.48E-07
WSW	2.41E-06	1.97E-06	1.17E-05	1.40E-06	1.20E-06	1.04E-06	9.12E-07	8.07E-07	7.20E-07	6.46E-07
W	2.98E-06	2.45E-06	9.46E-06	1.73E-06	1.49E-06	1.29E-06	1.14E-06	1.01E-06	8.97E-07	8.06E-07
WNW	3.49E-06	2.87E-06	6.98E-06	2.04E-06	1.76E-06	1.53E-06	1.35E-06	1.19E-06	1.07E-06	9.60E-07
NW	3.86E-06	3.17E-06	7.20E-06	2.25E-06	1.94E-06	1.69E-06	1.48E-06	1.31E-06	1.17E-06	1.06E-06
NNW	3.77E-06	3.10E-06	5.71E-06	2.21E-06	1.90E-06	1.66E-06	1.46E-06	1.30E-06	1.16E-06	1.04E-06

Period of record: 1/1/2016 to 12/31/2020

* Measured relevant to the respective Pond (2A-2C)

Table 22 Monticello Pond 2A-2C Dispersion Parameters for Long Term Ground Level Releases
> 500 Hrs/Yr or > 150 Hrs/Qtr (cont'd)
For Standard Distances (As Measured from the Pond 2A-2C) (χ/Q), sec/m³

Sector*	Distance in Miles from Pond									
	2.1	2.2	2.3	2.4	2.5	2.6	2.7	2.8	2.9	3.0
N	1.27E-06	1.15E-06	1.06E-06	9.72E-07	8.98E-07	8.33E-07	7.75E-07	7.23E-07	6.77E-07	6.35E-07
NNE	1.09E-06	9.97E-07	9.14E-07	8.41E-07	7.77E-07	7.20E-07	6.70E-07	6.25E-07	5.85E-07	5.49E-07
NE	8.73E-07	7.95E-07	7.28E-07	6.70E-07	6.18E-07	5.72E-07	5.32E-07	4.96E-07	4.64E-07	4.35E-07
ENE	6.27E-07	5.70E-07	5.21E-07	4.78E-07	4.41E-07	4.08E-07	3.79E-07	3.53E-07	3.29E-07	3.08E-07
E	6.18E-07	5.60E-07	5.11E-07	4.68E-07	4.31E-07	3.98E-07	3.69E-07	3.43E-07	3.20E-07	2.99E-07
ESE	4.85E-07	4.40E-07	4.01E-07	3.67E-07	3.38E-07	3.12E-07	2.89E-07	2.69E-07	2.50E-07	2.34E-07
SE	7.05E-07	6.40E-07	5.83E-07	5.34E-07	4.91E-07	4.53E-07	4.19E-07	3.90E-07	3.63E-07	3.39E-07
SSE	8.45E-07	6.40E-07	7.00E-07	6.41E-07	5.90E-07	5.45E-07	4.19E-07	4.70E-07	4.38E-07	4.10E-07
S	7.28E-07	6.61E-07	6.04E-07	5.54E-07	5.10E-07	4.71E-07	4.37E-07	4.07E-07	3.80E-07	3.55E-07
SSW	6.09E-07	5.52E-07	5.04E-07	4.62E-07	4.26E-07	3.93E-07	3.65E-07	3.39E-07	3.16E-07	2.96E-07
SW	5.85E-07	5.31E-07	4.84E-07	4.44E-07	4.08E-07	3.77E-07	3.50E-07	3.25E-07	3.04E-07	2.84E-07
WSW	5.84E-07	5.30E-07	4.84E-07	4.44E-07	4.09E-07	3.78E-07	3.51E-07	3.26E-07	3.04E-07	2.85E-07
W	7.28E-07	6.62E-07	6.05E-07	5.55E-07	5.11E-07	4.73E-07	4.38E-07	4.08E-07	3.81E-07	3.57E-07
WNW	8.69E-07	7.91E-07	7.23E-07	6.64E-07	6.13E-07	5.67E-07	5.27E-07	4.91E-07	4.59E-07	4.30E-07
NW	9.55E-07	8.68E-07	7.94E-07	7.29E-07	6.72E-07	6.22E-07	5.78E-07	5.38E-07	5.03E-07	4.71E-07
NNW	9.43E-07	8.58E-07	7.86E-07	7.22E-07	6.66E-07	6.17E-07	5.73E-07	5.34E-07	4.99E-07	4.68E-07

Period of record: 1/1/2016 to 12/31/2020

* Measured relevant to the respective Pond (2A-2C)

Table 22 Monticello Pond 2A-2C Dispersion Parameters for Long Term Ground Level Releases
> 500 Hrs/Yr or > 150 Hrs/Qtr (cont'd)
For Standard Distances (As Measured from the Pond 2A-2C) (χ/Q), sec/m³

Sector*	Distance in Miles from Pond									
	3.1	3.2	3.3	3.4	3.5	3.6	3.7	3.8	3.9	4.0
N	5.97E-07	5.63E-07	5.32E-07	5.04E-07	4.78E-07	4.54E-07	4.32E-07	4.12E-07	3.94E-07	3.76E-07
NNE	5.17E-07	4.87E-07	4.60E-07	4.36E-07	4.14E-07	3.93E-07	3.74E-07	3.57E-07	3.41E-07	3.26E-07
NE	4.09E-07	3.85E-07	3.64E-07	3.44E-07	3.27E-07	3.10E-07	2.95E-07	2.81E-07	2.68E-07	2.56E-07
ENE	2.90E-07	2.73E-07	2.57E-07	2.43E-07	2.30E-07	2.18E-07	2.07E-07	1.97E-07	1.88E-07	1.80E-07
E	2.80E-07	2.63E-07	2.48E-07	2.34E-07	2.21E-07	2.10E-07	1.99E-07	1.89E-07	1.80E-07	1.72E-07
ESE	2.19E-07	2.06E-07	1.94E-07	1.83E-07	1.73E-07	1.64E-07	1.56E-07	1.48E-07	1.41E-07	1.35E-07
SE	3.18E-07	2.99E-07	2.81E-07	2.65E-07	2.51E-07	2.38E-07	2.26E-07	2.14E-07	2.04E-07	1.95E-07
SSE	3.84E-07	2.99E-07	3.40E-07	3.21E-07	3.04E-07	2.88E-07	2.26E-07	2.60E-07	2.48E-07	2.36E-07
S	3.34E-07	3.14E-07	2.96E-07	2.79E-07	2.64E-07	2.51E-07	2.38E-07	2.27E-07	2.16E-07	2.06E-07
SSW	2.78E-07	2.61E-07	2.46E-07	2.32E-07	2.20E-07	2.08E-07	1.98E-07	1.88E-07	1.79E-07	1.71E-07
SW	2.66E-07	2.50E-07	2.36E-07	2.23E-07	2.11E-07	2.00E-07	1.90E-07	1.80E-07	1.72E-07	1.64E-07
WSW	2.67E-07	2.52E-07	2.37E-07	2.24E-07	2.12E-07	2.01E-07	1.91E-07	1.82E-07	1.73E-07	1.65E-07
W	3.35E-07	3.15E-07	2.97E-07	2.81E-07	2.66E-07	2.52E-07	2.40E-07	2.28E-07	2.17E-07	2.07E-07
WNW	4.04E-07	3.80E-07	3.59E-07	3.40E-07	3.22E-07	3.05E-07	2.90E-07	2.77E-07	2.64E-07	2.52E-07
NW	4.42E-07	4.16E-07	3.93E-07	3.71E-07	3.52E-07	3.34E-07	3.17E-07	3.02E-07	2.88E-07	2.75E-07
NNW	4.40E-07	4.14E-07	3.91E-07	3.70E-07	3.51E-07	3.33E-07	3.17E-07	3.02E-07	2.88E-07	2.75E-07

Period of record: 1/1/2016 to 12/31/2020

* Measured relevant to the respective Pond (2A-2C)

Table 22 Monticello Pond 2A-2C Dispersion Parameters for Long Term Ground Level Releases
> 500 Hrs/Yr or > 150 Hrs/Qtr (cont'd)
For Standard Distances (As Measured from the Pond 2A-2C) (χ/Q), sec/m³

Sector*	Distance in Miles from Pond									
	4.1	4.2	4.3	4.4	4.5	4.6	4.7	4.8	4.9	5.0
N	3.60E-07	3.45E-07	3.31E-07	3.18E-07	3.06E-07	2.95E-07	2.84E-07	2.74E-07	2.65E-07	2.56E-07
NNE	3.12E-07	2.99E-07	2.87E-07	2.76E-07	2.65E-07	2.55E-07	2.46E-07	2.37E-07	2.29E-07	2.22E-07
NE	2.45E-07	2.35E-07	2.26E-07	2.17E-07	2.08E-07	2.00E-07	1.93E-07	1.86E-07	1.80E-07	1.74E-07
ENE	1.72E-07	1.65E-07	1.58E-07	1.51E-07	1.45E-07	1.40E-07	1.35E-07	1.30E-07	1.25E-07	1.21E-07
E	1.64E-07	1.57E-07	1.50E-07	1.44E-07	1.38E-07	1.33E-07	1.28E-07	1.23E-07	1.19E-07	1.14E-07
ESE	1.28E-07	1.23E-07	1.18E-07	1.13E-07	1.08E-07	1.04E-07	9.99E-08	9.62E-08	9.27E-08	8.94E-08
SE	1.86E-07	1.78E-07	1.70E-07	1.63E-07	1.56E-07	1.50E-07	1.44E-07	1.39E-07	1.34E-07	1.29E-07
SSE	2.26E-07	1.78E-07	2.07E-07	1.98E-07	1.90E-07	1.83E-07	1.44E-07	1.69E-07	1.63E-07	1.57E-07
S	1.97E-07	1.89E-07	1.81E-07	1.73E-07	1.66E-07	1.60E-07	1.54E-07	1.48E-07	1.43E-07	1.38E-07
SSW	1.64E-07	1.57E-07	1.50E-07	1.44E-07	1.38E-07	1.33E-07	1.28E-07	1.23E-07	1.18E-07	1.14E-07
SW	1.57E-07	1.50E-07	1.44E-07	1.38E-07	1.32E-07	1.27E-07	1.22E-07	1.18E-07	1.13E-07	1.09E-07
WSW	1.58E-07	1.51E-07	1.45E-07	1.39E-07	1.33E-07	1.28E-07	1.23E-07	1.19E-07	1.15E-07	1.11E-07
W	1.98E-07	1.90E-07	1.82E-07	1.75E-07	1.68E-07	1.61E-07	1.55E-07	1.49E-07	1.44E-07	1.39E-07
WNW	2.41E-07	2.31E-07	2.21E-07	2.13E-07	2.04E-07	1.97E-07	1.89E-07	1.83E-07	1.76E-07	1.70E-07
NW	2.63E-07	2.52E-07	2.42E-07	2.32E-07	2.23E-07	2.14E-07	2.06E-07	1.99E-07	1.92E-07	1.85E-07
NNW	2.63E-07	2.52E-07	2.42E-07	2.32E-07	2.23E-07	2.15E-07	2.07E-07	1.99E-07	1.92E-07	1.86E-07

Period of record: 1/1/2016 to 12/31/2020

* Measured relevant to the respective Pond (2A-2C)

Table 22 Monticello Pond 2A-2C Dispersion Parameters for Long Term Ground Level Releases
> 500 Hrs/Yr or > 150 Hrs/Qtr (cont'd)
For Standard Distances (As Measured from the Pond 2A-2C) (χ/Q), sec/m³

Sector*	Distance in Miles from Pond									
	7.5	10	15	20	25	30	35	40	45	50
N	1.36E-07	9.06E-08	5.39E-08	3.74E-08	2.83E-08	2.25E-08	1.86E-08	1.58E-08	1.36E-08	1.20E-08
NNE	1.18E-07	7.86E-08	4.68E-08	3.25E-08	2.46E-08	1.96E-08	1.62E-08	1.37E-08	1.19E-08	1.04E-08
NE	9.18E-08	6.07E-08	3.59E-08	2.48E-08	1.87E-08	1.48E-08	1.22E-08	1.03E-08	8.91E-09	7.82E-09
ENE	6.30E-08	4.12E-08	2.40E-08	1.65E-08	1.23E-08	9.71E-09	7.95E-09	6.70E-09	5.76E-09	5.03E-09
E	5.87E-08	3.80E-08	2.18E-08	1.48E-08	1.09E-08	8.58E-09	7.00E-09	5.87E-09	5.02E-09	4.38E-09
ESE	4.57E-08	2.95E-08	1.69E-08	1.15E-08	8.49E-09	6.66E-09	5.43E-09	4.55E-09	3.90E-09	3.39E-09
SE	6.57E-08	4.24E-08	2.42E-08	1.63E-08	1.21E-08	9.45E-09	7.69E-09	6.44E-09	5.51E-09	4.79E-09
SSE	8.08E-08	5.24E-08	3.01E-08	2.05E-08	1.52E-08	1.19E-08	9.74E-09	8.17E-09	7.01E-09	6.11E-09
S	7.14E-08	4.65E-08	2.70E-08	1.84E-08	1.37E-08	1.08E-08	8.83E-09	7.43E-09	6.38E-09	5.57E-09
SSW	5.89E-08	3.83E-08	2.21E-08	1.51E-08	1.12E-08	8.81E-09	7.20E-09	6.05E-09	5.19E-09	4.53E-09
SW	5.63E-08	3.65E-08	2.10E-08	1.43E-08	1.06E-08	8.35E-09	6.82E-09	5.73E-09	4.91E-09	4.28E-09
WSW	5.73E-08	3.73E-08	2.16E-08	1.48E-08	1.10E-08	8.69E-09	7.11E-09	5.98E-09	5.14E-09	4.49E-09
W	7.22E-08	4.72E-08	2.74E-08	1.88E-08	1.40E-08	1.11E-08	9.07E-09	7.63E-09	6.56E-09	5.74E-09
WNW	8.94E-08	5.89E-08	3.46E-08	2.39E-08	1.79E-08	1.42E-08	1.17E-08	9.86E-09	8.50E-09	7.45E-09
NW	9.69E-08	6.36E-08	3.72E-08	2.55E-08	1.91E-08	1.51E-08	1.24E-08	1.05E-08	8.99E-09	7.87E-09
NNW	9.78E-08	6.45E-08	3.80E-08	2.62E-08	1.97E-08	1.56E-08	1.28E-08	1.08E-08	9.35E-09	8.19E-09

Period of record: 1/1/2016 to 12/31/2020

* Measured relevant to the respective Pond (2A-2C)

MONTICELLO NUCLEAR GENERATING PLANT	ODCM-APP-A
APPENDIX A	Revision 7
	Page 90 of 109

Table 23 Monticello Pond 2A-2C Dispersion Parameters for Long Term Ground Level Releases
> 500 Hrs/Yr or > 150 Hrs/Qtr
For Standard Distances (As Measured from the Pond 2A-2C) (D/Q), m²

Sector*	Distance in Miles from Pond									
	0.1	0.2	0.3	0.4	0.5	0.6	0.7	0.8	0.9	1.0
N	6.94E-07	2.59E-07	1.41E-07	8.98E-08	6.28E-08	4.67E-08	3.62E-08	2.75E-08	2.02E-08	1.54E-08
NNE	6.48E-07	2.42E-07	1.31E-07	8.39E-08	5.87E-08	4.36E-08	3.38E-08	2.57E-08	1.89E-08	1.43E-08
NE	4.81E-07	1.80E-07	9.75E-08	6.23E-08	4.35E-08	3.23E-08	2.51E-08	1.90E-08	1.40E-08	1.06E-08
ENE	3.80E-07	1.42E-07	7.70E-08	4.92E-08	3.44E-08	2.55E-08	1.98E-08	1.50E-08	1.10E-08	8.41E-09
E	6.38E-07	2.38E-07	1.29E-07	8.26E-08	5.78E-08	4.29E-08	3.33E-08	2.53E-08	1.86E-08	1.41E-08
ESE	5.26E-07	1.97E-07	1.07E-07	6.82E-08	4.77E-08	3.54E-08	2.75E-08	2.09E-08	1.53E-08	1.17E-08
SE	7.50E-07	2.80E-07	1.52E-07	9.71E-08	6.79E-08	5.04E-08	3.92E-08	2.97E-08	2.18E-08	1.66E-08
SSE	7.49E-07	2.80E-07	1.52E-07	9.70E-08	6.78E-08	5.04E-08	3.92E-08	2.97E-08	2.18E-08	1.66E-08
S	4.72E-07	1.76E-07	9.58E-08	6.11E-08	4.28E-08	3.18E-08	2.47E-08	1.87E-08	1.37E-08	1.05E-08
SSW	4.27E-07	1.60E-07	8.67E-08	5.53E-08	3.87E-08	2.87E-08	2.23E-08	1.69E-08	1.24E-08	9.46E-09
SW	4.07E-07	1.52E-07	8.25E-08	5.27E-08	3.69E-08	2.74E-08	2.13E-08	1.61E-08	1.18E-08	9.01E-09
WSW	3.58E-07	1.34E-07	7.26E-08	4.63E-08	3.24E-08	2.41E-08	1.87E-08	1.42E-08	1.04E-08	7.92E-09
W	4.25E-07	1.59E-07	8.63E-08	5.51E-08	3.85E-08	2.86E-08	2.22E-08	1.69E-08	1.24E-08	9.42E-09
WNW	5.22E-07	1.95E-07	1.06E-07	6.76E-08	4.73E-08	3.51E-08	2.73E-08	2.07E-08	1.52E-08	1.16E-08
NW	6.08E-07	2.27E-07	1.23E-07	7.87E-08	5.51E-08	4.09E-08	3.18E-08	2.41E-08	1.77E-08	1.35E-08
NNW	5.57E-07	2.08E-07	1.13E-07	7.21E-08	5.04E-08	3.74E-08	2.91E-08	2.20E-08	1.62E-08	1.23E-08

Period of record: 1/1/2016 to 12/31/2020

* Measured relevant to the respective Pond (2A-2C)

Table 23 Monticello Pond 2A-2C Dispersion Parameters for Long Term Ground Level Releases
> 500 Hrs/Yr or > 150 Hrs/Qtr (cont'd)
For Standard Distances (As Measured from the Pond 2A-2C) (D/Q), m²

Sector*	Distance in Miles from Pond									
	1.1	1.2	1.3	1.4	1.5	1.6	1.7	1.8	1.9	2.0
N	2.81E-08	2.34E-08	1.98E-08	1.69E-08	1.46E-08	1.28E-08	1.13E-08	1.00E-08	8.95E-09	8.05E-09
NNE	2.77E-08	2.30E-08	1.94E-08	1.66E-08	1.44E-08	1.26E-08	1.11E-08	9.82E-09	8.77E-09	7.89E-09
NE	2.23E-08	1.86E-08	1.57E-08	1.34E-08	1.16E-08	1.01E-08	8.94E-09	7.94E-09	7.10E-09	6.38E-09
ENE	1.92E-08	1.59E-08	1.34E-08	1.15E-08	9.91E-09	8.65E-09	7.62E-09	6.76E-09	6.04E-09	5.42E-09
E	2.31E-08	1.92E-08	1.62E-08	1.38E-08	1.20E-08	1.04E-08	9.20E-09	8.16E-09	7.29E-09	6.55E-09
ESE	2.20E-08	1.82E-08	1.53E-08	1.30E-08	1.12E-08	9.75E-09	8.56E-09	7.57E-09	6.74E-09	6.04E-09
SE	2.66E-08	2.20E-08	1.85E-08	1.57E-08	1.35E-08	1.18E-08	1.03E-08	9.11E-09	8.11E-09	7.27E-09
SSE	2.40E-08	2.20E-08	1.71E-08	1.48E-08	1.28E-08	1.13E-08	1.03E-08	8.92E-09	8.02E-09	7.24E-09
S	2.16E-08	1.79E-08	1.51E-08	1.29E-08	1.12E-08	9.73E-09	8.57E-09	7.60E-09	6.79E-09	6.10E-09
SSW	2.06E-08	1.71E-08	1.44E-08	1.23E-08	1.06E-08	9.24E-09	8.13E-09	7.20E-09	6.43E-09	5.77E-09
SW	1.98E-08	1.64E-08	1.38E-08	1.18E-08	1.02E-08	8.91E-09	7.84E-09	6.95E-09	6.21E-09	5.58E-09
WSW	1.79E-08	1.49E-08	1.26E-08	1.07E-08	9.26E-09	8.08E-09	7.11E-09	6.31E-09	5.64E-09	5.06E-09
W	1.98E-08	1.64E-08	1.39E-08	1.18E-08	1.02E-08	8.93E-09	7.86E-09	6.97E-09	6.23E-09	5.60E-09
WNW	2.32E-08	1.92E-08	1.62E-08	1.39E-08	1.20E-08	1.04E-08	9.19E-09	8.15E-09	7.28E-09	6.54E-09
NW	2.53E-08	2.10E-08	1.77E-08	1.51E-08	1.31E-08	1.14E-08	1.00E-08	8.90E-09	7.94E-09	7.14E-09
NNW	2.45E-08	2.03E-08	1.72E-08	1.47E-08	1.27E-08	1.11E-08	9.75E-09	8.66E-09	7.74E-09	6.95E-09

Period of record: 1/1/2016 to 12/31/2020

* Measured relevant to the respective Pond (2A-2C)

Table 23 Monticello Pond 2A-2C Dispersion Parameters for Long Term Ground Level Releases
> 500 Hrs/Yr or > 150 Hrs/Qtr (cont'd)
For Standard Distances (As Measured from the Pond 2A-2C) (D/Q), m²

Sector*	Distance in Miles from Pond									
	2.1	2.2	2.3	2.4	2.5	2.6	2.7	2.8	2.9	3.0
N	7.28E-09	6.62E-09	6.05E-09	5.54E-09	5.10E-09	4.71E-09	4.36E-09	4.05E-09	3.77E-09	3.52E-09
NNE	7.13E-09	6.48E-09	5.92E-09	5.42E-09	4.98E-09	4.60E-09	4.26E-09	3.95E-09	3.68E-09	3.44E-09
NE	5.77E-09	5.24E-09	4.79E-09	4.39E-09	4.04E-09	3.73E-09	3.45E-09	3.20E-09	2.98E-09	2.78E-09
ENE	4.90E-09	4.45E-09	4.06E-09	3.72E-09	3.42E-09	3.15E-09	2.92E-09	2.71E-09	2.52E-09	2.35E-09
E	5.92E-09	5.36E-09	4.88E-09	4.45E-09	4.08E-09	3.76E-09	3.47E-09	3.21E-09	2.98E-09	2.78E-09
ESE	5.45E-09	4.93E-09	4.49E-09	4.10E-09	3.76E-09	3.46E-09	3.20E-09	2.96E-09	2.75E-09	2.56E-09
SE	6.56E-09	5.94E-09	5.41E-09	4.94E-09	4.53E-09	4.17E-09	3.85E-09	3.57E-09	3.31E-09	3.09E-09
SSE	5.97E-09	5.94E-09	4.94E-09	4.52E-09	4.16E-09	3.83E-09	3.85E-09	3.29E-09	3.06E-09	2.86E-09
S	5.51E-09	5.00E-09	4.57E-09	4.18E-09	3.84E-09	3.55E-09	3.28E-09	3.05E-09	2.84E-09	2.65E-09
SSW	5.21E-09	4.73E-09	4.32E-09	3.95E-09	3.63E-09	3.35E-09	3.10E-09	2.87E-09	2.67E-09	2.49E-09
SW	5.04E-09	4.57E-09	4.17E-09	3.82E-09	3.51E-09	3.24E-09	3.00E-09	2.78E-09	2.59E-09	2.42E-09
WSW	4.57E-09	4.15E-09	3.79E-09	3.47E-09	3.19E-09	2.94E-09	2.72E-09	2.53E-09	2.35E-09	2.20E-09
W	5.06E-09	4.59E-09	4.19E-09	3.84E-09	3.53E-09	3.25E-09	3.01E-09	2.80E-09	2.60E-09	2.43E-09
WNW	5.91E-09	5.37E-09	4.90E-09	4.48E-09	4.12E-09	3.80E-09	3.52E-09	3.26E-09	3.04E-09	2.83E-09
NW	6.44E-09	5.85E-09	5.34E-09	4.89E-09	4.49E-09	4.14E-09	3.83E-09	3.56E-09	3.31E-09	3.09E-09
NNW	6.29E-09	5.71E-09	5.21E-09	4.78E-09	4.39E-09	4.05E-09	3.75E-09	3.48E-09	3.24E-09	3.03E-09

Period of record: 1/1/2016 to 12/31/2020

* Measured relevant to the respective Pond (2A-2C)

Table 23 Monticello Pond 2A-2C Dispersion Parameters for Long Term Ground Level Releases
> 500 Hrs/Yr or > 150 Hrs/Qtr (cont'd)
For Standard Distances (As Measured from the Pond 2A-2C) (D/Q), m²

Sector*	Distance in Miles from Pond									
	3.1	3.2	3.3	3.4	3.5	3.6	3.7	3.8	3.9	4.0
N	3.29E-09	3.09E-09	2.90E-09	2.73E-09	2.58E-09	2.44E-09	2.31E-09	2.19E-09	2.08E-09	1.97E-09
NNE	3.22E-09	3.01E-09	2.83E-09	2.67E-09	2.52E-09	2.38E-09	2.25E-09	2.13E-09	2.02E-09	1.92E-09
NE	2.61E-09	2.45E-09	2.30E-09	2.16E-09	2.04E-09	1.93E-09	1.83E-09	1.73E-09	1.64E-09	1.56E-09
ENE	1.73E-09	1.62E-09	1.53E-09	1.44E-09	1.36E-09	1.29E-09	1.22E-09	1.16E-09	1.10E-09	1.05E-09
E	2.59E-09	2.42E-09	2.27E-09	2.13E-09	2.01E-09	1.89E-09	1.79E-09	1.69E-09	1.60E-09	1.52E-09
ESE	2.39E-09	2.23E-09	2.09E-09	1.97E-09	1.85E-09	1.75E-09	1.65E-09	1.56E-09	1.48E-09	1.40E-09
SE	2.88E-09	2.70E-09	2.53E-09	2.38E-09	2.24E-09	2.11E-09	1.99E-09	1.89E-09	1.79E-09	1.70E-09
SSE	2.67E-09	2.70E-09	2.36E-09	2.22E-09	2.09E-09	1.98E-09	1.99E-09	1.77E-09	1.68E-09	1.60E-09
S	2.47E-09	2.32E-09	2.18E-09	2.05E-09	1.93E-09	1.83E-09	1.73E-09	1.64E-09	1.56E-09	1.48E-09
SSW	2.12E-09	1.99E-09	1.87E-09	1.76E-09	1.66E-09	1.57E-09	1.48E-09	1.41E-09	1.34E-09	1.27E-09
SW	2.05E-09	1.92E-09	1.80E-09	1.70E-09	1.60E-09	1.52E-09	1.43E-09	1.36E-09	1.29E-09	1.23E-09
WSW	1.80E-09	1.69E-09	1.59E-09	1.50E-09	1.41E-09	1.34E-09	1.26E-09	1.20E-09	1.14E-09	1.08E-09
W	2.27E-09	2.13E-09	2.00E-09	1.88E-09	1.78E-09	1.68E-09	1.59E-09	1.50E-09	1.43E-09	1.36E-09
WNW	2.71E-09	2.54E-09	2.39E-09	2.25E-09	2.12E-09	2.00E-09	1.89E-09	1.79E-09	1.70E-09	1.62E-09
NW	2.22E-09	2.09E-09	1.97E-09	1.85E-09	1.75E-09	1.66E-09	1.57E-09	1.49E-09	1.42E-09	1.35E-09
NNW	3.66E-09	3.43E-09	3.21E-09	3.02E-09	2.84E-09	2.68E-09	2.53E-09	2.39E-09	2.27E-09	2.15E-09

Period of record: 1/1/2016 to 12/31/2020

* Measured relevant to the respective Pond (2A-2C)

Table 23 Monticello Pond 2A-2C Dispersion Parameters for Long Term Ground Level Releases
> 500 Hrs/Yr or > 150 Hrs/Qtr (cont'd)
For Standard Distances (As Measured from the Pond 2A-2C) (D/Q), m²

Sector*	Distance in Miles from Pond									
	4.1	4.2	4.3	4.4	4.5	4.6	4.7	4.8	4.9	5.0
N	1.88E-09	1.79E-09	1.71E-09	1.63E-09	1.56E-09	1.50E-09	1.43E-09	1.38E-09	1.32E-09	1.27E-09
NNE	1.83E-09	1.75E-09	1.67E-09	1.59E-09	1.52E-09	1.46E-09	1.40E-09	1.34E-09	1.29E-09	1.23E-09
NE	1.49E-09	1.42E-09	1.35E-09	1.29E-09	1.24E-09	1.18E-09	1.13E-09	1.09E-09	1.04E-09	1.00E-09
ENE	1.00E-09	9.54E-10	9.12E-10	8.72E-10	8.35E-10	8.00E-10	7.68E-10	7.37E-10	7.08E-10	6.81E-10
E	1.45E-09	1.37E-09	1.31E-09	1.25E-09	1.19E-09	1.14E-09	1.09E-09	1.04E-09	9.99E-10	9.59E-10
ESE	1.33E-09	1.27E-09	1.21E-09	1.15E-09	1.10E-09	1.05E-09	1.01E-09	9.63E-10	9.23E-10	8.85E-10
SE	1.61E-09	1.53E-09	1.46E-09	1.39E-09	1.33E-09	1.27E-09	1.22E-09	1.17E-09	1.12E-09	1.07E-09
SSE	1.52E-09	1.53E-09	1.39E-09	1.32E-09	1.27E-09	1.21E-09	1.22E-09	1.11E-09	1.07E-09	1.03E-09
S	1.41E-09	1.34E-09	1.28E-09	1.22E-09	1.17E-09	1.12E-09	1.07E-09	1.03E-09	9.85E-10	9.46E-10
SSW	1.21E-09	1.15E-09	1.10E-09	1.05E-09	1.00E-09	9.61E-10	9.21E-10	8.84E-10	8.49E-10	8.15E-10
SW	1.17E-09	1.11E-09	1.06E-09	1.02E-09	9.72E-10	9.31E-10	8.92E-10	8.56E-10	8.22E-10	7.89E-10
WSW	1.03E-09	9.83E-10	9.39E-10	8.97E-10	8.58E-10	8.22E-10	7.88E-10	7.56E-10	7.26E-10	6.98E-10
W	1.29E-09	1.23E-09	1.17E-09	1.12E-09	1.07E-09	1.03E-09	9.82E-10	9.42E-10	9.04E-10	8.68E-10
WNW	1.54E-09	1.46E-09	1.40E-09	1.33E-09	1.27E-09	1.22E-09	1.17E-09	1.12E-09	1.07E-09	1.03E-09
NW	1.29E-09	1.23E-09	1.17E-09	1.12E-09	1.08E-09	1.03E-09	9.88E-10	9.49E-10	9.12E-10	8.77E-10
NNW	2.04E-09	1.94E-09	1.85E-09	1.77E-09	1.69E-09	1.61E-09	1.54E-09	1.48E-09	1.42E-09	1.36E-09

Period of record: 1/1/2016 to 12/31/2020

* Measured relevant to the respective Pond (2A-2C)

Table 23 Monticello Pond 2A-2C Dispersion Parameters for Long Term Ground Level Releases
> 500 Hrs/Yr or > 150 Hrs/Qtr (cont'd)
For Standard Distances (As Measured from the Pond 2A-2C) (D/Q), m²

Sector*	Distance in Miles from Pond									
	7.5	10	15	20	25	30	35	40	45	50
N	1.50E-10	9.06E-11	4.58E-11	2.77E-11	1.86E-11	1.33E-11	9.99E-12	7.77E-12	6.21E-12	5.07E-12
NNE	1.40E-10	8.46E-11	4.28E-11	2.59E-11	1.74E-11	1.24E-11	9.33E-12	7.26E-12	5.80E-12	4.73E-12
NE	1.04E-10	6.28E-11	3.17E-11	1.92E-11	1.29E-11	9.22E-12	6.93E-12	5.39E-12	4.30E-12	3.51E-12
ENE	8.18E-11	4.96E-11	2.51E-11	1.52E-11	1.02E-11	7.29E-12	5.47E-12	4.25E-12	3.40E-12	2.77E-12
E	1.37E-10	8.33E-11	4.21E-11	2.55E-11	1.71E-11	1.22E-11	9.19E-12	7.14E-12	5.71E-12	4.66E-12
ESE	1.14E-10	6.87E-11	3.47E-11	2.10E-11	1.41E-11	1.01E-11	7.59E-12	5.90E-12	4.71E-12	3.85E-12
SE	1.62E-10	9.79E-11	4.95E-11	2.99E-11	2.01E-11	1.44E-11	1.08E-11	8.40E-12	6.71E-12	5.48E-12
SSE	1.61E-10	9.78E-11	4.94E-11	2.99E-11	2.01E-11	1.44E-11	1.08E-11	8.39E-12	6.70E-12	5.47E-12
S	1.02E-10	6.16E-11	3.12E-11	1.89E-11	1.26E-11	9.06E-12	6.80E-12	5.29E-12	4.23E-12	3.45E-12
SSW	9.21E-11	5.58E-11	2.82E-11	1.71E-11	1.14E-11	8.20E-12	6.16E-12	4.79E-12	3.82E-12	3.12E-12
SW	8.77E-11	5.31E-11	2.68E-11	1.63E-11	1.09E-11	7.81E-12	5.86E-12	4.56E-12	3.64E-12	2.97E-12
WSW	7.71E-11	4.67E-11	2.36E-11	1.43E-11	9.58E-12	6.86E-12	5.15E-12	4.01E-12	3.20E-12	2.61E-12
W	9.17E-11	5.55E-11	2.81E-11	1.70E-11	1.14E-11	8.16E-12	6.13E-12	4.77E-12	3.81E-12	3.11E-12
WNW	1.13E-10	6.82E-11	3.45E-11	2.09E-11	1.40E-11	1.00E-11	7.52E-12	5.85E-12	4.67E-12	3.81E-12
NW	1.31E-10	7.94E-11	4.01E-11	2.43E-11	1.63E-11	1.17E-11	8.76E-12	6.81E-12	5.44E-12	4.44E-12
NNW	1.20E-10	7.27E-11	3.67E-11	2.22E-11	1.49E-11	1.07E-11	8.02E-12	6.24E-12	4.98E-12	4.07E-12

Period of record: 1/1/2016 to 12/31/2020

* Measured relevant to the respective Pond (2A-2C)

Table 24 Monticello Pond 2A-2C Dispersion Parameters for Short Term Ground Level Releases
> 500 Hrs/Yr or > 150 Hrs/Qtr

Site Boundary Sector*	POND 2A*		POND 2B*		POND 2C*	
	χ/q (sec/m ³)	D/q (m ⁻²)	χ/q (sec/m ³)	D/q (m ⁻²)	χ/q (sec/m ³)	D/q (m ⁻²)
N	1.98E-05	5.23E-08	1.93E-05	5.10E-08	1.74E-05	4.58E-08
NNE	1.80E-05	5.13E-08	2.15E-05	6.19E-08	3.50E-04	8.00E-07
NE	1.57E-04	3.81E-07	3.75E-04	7.80E-07	1.35E-03	2.02E-06
ENE	1.96E-04	4.78E-07	4.30E-04	8.75E-07	1.90E-03	2.45E-06
E	2.13E-04	8.43E-07	5.10E-04	1.61E-06	2.55E-03	4.75E-06
ESE	1.99E-04	8.06E-07	5.03E-04	1.59E-06	2.71E-03	4.88E-06
SE	2.20E-04	8.97E-07	5.69E-04	1.81E-06	3.08E-03	5.61E-06
SSE	2.23E-04	7.68E-07	4.78E-04	1.41E-06	2.24E-03	3.95E-06
S	3.57E-04	8.49E-07	4.96E-04	1.09E-06	1.19E-03	2.03E-06
SSW	2.52E-04	6.70E-07	4.13E-04	9.73E-07	6.15E-04	1.30E-06
SW	1.45E-04	4.27E-07	2.74E-04	7.07E-07	4.12E-04	9.59E-07
WSW	7.70E-05	2.13E-07	7.90E-05	2.18E-07	1.65E-04	4.15E-07
W	4.90E-05	1.33E-07	5.03E-05	1.36E-07	4.96E-05	1.35E-07
WNW	1.64E-05	4.58E-08	1.49E-05	4.14E-08	1.35E-05	3.73E-08
NW	1.22E-05	3.47E-08	1.11E-05	3.11E-08	9.97E-06	2.77E-08
NNW	1.31E-05	3.53E-08	1.19E-05	3.15E-08	1.10E-05	2.89E-08

Period of record: 1/1/2016 to 12/31/2020

* Measured relevant to the respective Pond (2A-2C)

Table 25 Monticello Pond 2A-2C Dispersion Parameters for Short Term Ground Level Releases
> 500 Hrs/Yr or > 150 Hrs/Qtr

For Standard Distances (As Measured from the Pond 2A-2C 2A-2C) (χ/q), sec/m³

Sector*	Distance in Miles from Pond									
	0.1	0.2	0.3	0.4	0.5	0.6	0.7	0.8	0.9	1.0
N	8.06E-04	2.33E-04	1.14E-04	6.95E-05	4.72E-05	3.50E-05	2.69E-05	2.11E-05	1.66E-05	1.37E-05
NNE	7.28E-04	2.10E-04	1.03E-04	6.28E-05	4.26E-05	3.17E-05	2.45E-05	1.92E-05	1.51E-05	1.25E-05
NE	6.21E-04	1.79E-04	8.84E-05	5.40E-05	3.68E-05	2.76E-05	2.15E-05	1.70E-05	1.34E-05	1.10E-05
ENE	3.81E-04	1.10E-04	5.44E-05	4.01E-05	2.76E-05	2.13E-05	1.70E-05	1.37E-05	1.09E-05	8.89E-06
E	3.20E-04	9.39E-05	4.78E-05	3.00E-05	2.08E-05	1.59E-05	1.26E-05	1.01E-05	7.98E-06	6.51E-06
ESE	2.83E-04	8.27E-05	4.41E-05	2.83E-05	1.99E-05	1.50E-05	1.18E-05	9.33E-06	7.34E-06	5.94E-06
SE	3.46E-04	1.01E-04	5.48E-05	3.53E-05	2.49E-05	1.88E-05	1.48E-05	1.17E-05	9.15E-06	7.40E-06
SSE	4.25E-04	1.01E-04	6.41E-05	4.14E-05	2.79E-05	2.04E-05	1.48E-05	1.20E-05	9.37E-06	7.74E-06
S	4.74E-04	1.37E-04	6.89E-05	4.32E-05	3.00E-05	2.30E-05	1.83E-05	1.46E-05	1.16E-05	9.48E-06
SSW	3.80E-04	1.10E-04	5.59E-05	3.83E-05	2.69E-05	2.06E-05	1.64E-05	1.31E-05	1.04E-05	8.43E-06
SW	3.71E-04	1.07E-04	5.45E-05	3.74E-05	2.62E-05	2.01E-05	1.60E-05	1.27E-05	1.01E-05	8.19E-06
WSW	3.79E-04	1.10E-04	5.53E-05	3.83E-05	2.66E-05	2.04E-05	1.62E-05	1.29E-05	1.02E-05	8.34E-06
W	4.86E-04	1.41E-04	7.06E-05	4.40E-05	3.04E-05	2.33E-05	1.85E-05	1.48E-05	1.17E-05	9.58E-06
WNW	5.71E-04	1.65E-04	8.20E-05	4.96E-05	3.39E-05	2.60E-05	2.06E-05	1.64E-05	1.30E-05	1.07E-05
NW	4.72E-04	1.36E-04	6.74E-05	5.05E-05	3.47E-05	2.67E-05	2.13E-05	1.70E-05	1.35E-05	1.11E-05
NNW	7.42E-04	2.15E-04	1.07E-04	5.41E-05	3.70E-05	2.80E-05	2.20E-05	1.75E-05	1.38E-05	1.14E-05

Period of record: 1/1/2016 to 12/31/2020

* Measured relevant to the respective Pond (2A-2C).

Table 25 Monticello Pond 2A-2C Dispersion Parameters for Short Term Ground Level Releases
> 500 Hrs/Yr or > 150 Hrs/Qtr (cont'd)
For Standard Distances (As Measured from the Pond 2A-2C) (χ/q), sec/m³

Sector*	Distance in Miles from Pond									
	1.1	1.2	1.3	1.4	1.5	1.6	1.7	1.8	1.9	2.0
N	1.16E-05	9.90E-06	8.60E-06	7.56E-06	6.70E-06	6.00E-06	5.41E-06	4.91E-06	4.48E-06	4.11E-06
NNE	1.05E-05	9.02E-06	7.83E-06	6.87E-06	6.09E-06	5.45E-06	4.91E-06	4.45E-06	4.06E-06	3.73E-06
NE	9.29E-06	7.94E-06	6.88E-06	6.03E-06	5.34E-06	4.77E-06	4.29E-06	3.89E-06	3.55E-06	3.25E-06
ENE	7.43E-06	6.32E-06	5.45E-06	4.76E-06	4.20E-06	3.74E-06	3.35E-06	3.03E-06	2.75E-06	2.52E-06
E	5.42E-06	4.59E-06	3.94E-06	3.43E-06	3.02E-06	2.68E-06	2.40E-06	2.16E-06	1.96E-06	1.79E-06
ESE	4.92E-06	4.15E-06	3.55E-06	3.08E-06	2.69E-06	2.38E-06	2.12E-06	1.91E-06	1.72E-06	1.57E-06
SE	6.11E-06	5.15E-06	4.40E-06	3.80E-06	3.33E-06	2.94E-06	2.62E-06	2.35E-06	2.12E-06	1.92E-06
SSE	6.52E-06	5.15E-06	4.84E-06	4.25E-06	3.76E-06	3.37E-06	2.62E-06	2.75E-06	2.51E-06	2.30E-06
S	7.91E-06	6.71E-06	5.78E-06	5.04E-06	4.44E-06	3.95E-06	3.53E-06	3.19E-06	2.90E-06	2.64E-06
SSW	7.02E-06	5.94E-06	5.11E-06	4.45E-06	3.91E-06	3.47E-06	3.10E-06	2.80E-06	2.54E-06	2.31E-06
SW	6.82E-06	5.78E-06	4.97E-06	4.33E-06	3.81E-06	3.38E-06	3.02E-06	2.72E-06	2.47E-06	2.25E-06
WSW	6.96E-06	5.90E-06	5.08E-06	4.43E-06	3.90E-06	3.47E-06	3.11E-06	2.80E-06	2.54E-06	2.32E-06
W	8.00E-06	6.80E-06	5.86E-06	5.11E-06	4.51E-06	4.01E-06	3.59E-06	3.24E-06	2.95E-06	2.69E-06
WNW	8.94E-06	7.61E-06	6.57E-06	5.75E-06	5.08E-06	4.52E-06	4.06E-06	3.67E-06	3.34E-06	3.05E-06
NW	9.27E-06	7.89E-06	6.81E-06	5.94E-06	5.24E-06	4.67E-06	4.19E-06	3.78E-06	3.44E-06	3.14E-06
NNW	9.54E-06	8.15E-06	7.05E-06	6.17E-06	5.46E-06	4.87E-06	4.38E-06	3.96E-06	3.61E-06	3.30E-06

Period of record: 1/1/2016 to 12/31/2020

* Measured relevant to the respective Pond (2A-2C)

Table 25 Monticello Pond 2A-2C Dispersion Parameters for Short Term Ground Level Releases
> 500 Hrs/Yr or > 150 Hrs/Qtr (cont'd)

For Standard Distances (As Measured from the Pond 2A-2C) (χ/q), sec/m³

Sector*	Distance in Miles from Pond									
	2.1	2.2	2.3	2.4	2.5	2.6	2.7	2.8	2.9	3.0
N	3.79E-06	3.51E-06	3.26E-06	3.04E-06	2.84E-06	2.67E-06	2.51E-06	2.37E-06	2.24E-06	2.12E-06
NNE	3.43E-06	3.18E-06	2.95E-06	2.75E-06	2.58E-06	2.42E-06	2.27E-06	2.14E-06	2.02E-06	1.92E-06
NE	2.99E-06	2.77E-06	2.57E-06	2.39E-06	2.24E-06	2.10E-06	1.97E-06	1.86E-06	1.75E-06	1.66E-06
ENE	2.31E-06	2.13E-06	1.97E-06	1.83E-06	1.71E-06	1.60E-06	1.50E-06	1.41E-06	1.33E-06	1.26E-06
E	1.64E-06	1.50E-06	1.38E-06	1.28E-06	1.19E-06	1.11E-06	1.03E-06	9.68E-07	9.09E-07	8.56E-07
ESE	1.43E-06	1.31E-06	1.21E-06	1.12E-06	1.04E-06	9.68E-07	9.04E-07	8.47E-07	7.95E-07	7.48E-07
SE	1.76E-06	1.61E-06	1.49E-06	1.38E-06	1.28E-06	1.19E-06	1.11E-06	1.04E-06	9.77E-07	9.20E-07
SSE	1.92E-06	1.61E-06	1.63E-06	1.52E-06	1.41E-06	1.32E-06	1.11E-06	1.16E-06	1.09E-06	1.03E-06
S	2.42E-06	2.23E-06	2.07E-06	1.92E-06	1.79E-06	1.67E-06	1.57E-06	1.47E-06	1.39E-06	1.31E-06
SSW	2.12E-06	1.95E-06	1.80E-06	1.67E-06	1.56E-06	1.46E-06	1.36E-06	1.28E-06	1.21E-06	1.14E-06
SW	2.07E-06	1.90E-06	1.76E-06	1.63E-06	1.52E-06	1.42E-06	1.33E-06	1.25E-06	1.18E-06	1.11E-06
WSW	2.13E-06	1.96E-06	1.82E-06	1.69E-06	1.57E-06	1.47E-06	1.38E-06	1.29E-06	1.22E-06	1.15E-06
W	2.47E-06	2.28E-06	2.11E-06	1.96E-06	1.83E-06	1.71E-06	1.60E-06	1.51E-06	1.42E-06	1.34E-06
WNW	2.81E-06	2.59E-06	2.40E-06	2.23E-06	2.08E-06	1.95E-06	1.83E-06	1.72E-06	1.62E-06	1.54E-06
NW	2.89E-06	2.66E-06	2.47E-06	2.29E-06	2.14E-06	2.00E-06	1.88E-06	1.77E-06	1.67E-06	1.57E-06
NNW	3.04E-06	2.81E-06	2.60E-06	2.42E-06	2.26E-06	2.12E-06	1.99E-06	1.88E-06	1.77E-06	1.67E-06

Period of record: 1/1/2016 to 12/31/2020

* Measured relevant to the respective Pond (2A-2C)

Table 25 Monticello Pond 2A-2C Dispersion Parameters for Short Term Ground Level Releases
> 500 Hrs/Yr or > 150 Hrs/Qtr (cont'd)
For Standard Distances (As Measured from the Pond 2A-2C) (χ/q), sec/m³

Sector*	Distance in Miles from Pond									
	3.1	3.2	3.3	3.4	3.5	3.6	3.7	3.8	3.9	4.0
N	2.01E-06	1.91E-06	1.82E-06	1.74E-06	1.66E-06	1.59E-06	1.52E-06	1.46E-06	1.41E-06	1.35E-06
NNE	1.82E-06	1.73E-06	1.65E-06	1.57E-06	1.50E-06	1.44E-06	1.38E-06	1.32E-06	1.27E-06	1.22E-06
NE	1.57E-06	1.50E-06	1.42E-06	1.36E-06	1.30E-06	1.24E-06	1.19E-06	1.14E-06	1.09E-06	1.05E-06
ENE	9.34E-07	8.88E-07	8.46E-07	8.07E-07	7.71E-07	7.38E-07	7.07E-07	6.78E-07	6.52E-07	6.27E-07
E	8.07E-07	7.63E-07	7.23E-07	6.86E-07	6.52E-07	6.21E-07	5.92E-07	5.65E-07	5.41E-07	5.18E-07
ESE	7.06E-07	6.67E-07	6.32E-07	6.00E-07	5.70E-07	5.43E-07	5.18E-07	4.94E-07	4.73E-07	4.52E-07
SE	8.67E-07	8.20E-07	7.77E-07	7.37E-07	7.00E-07	6.67E-07	6.36E-07	6.07E-07	5.80E-07	5.56E-07
SSE	9.73E-07	8.20E-07	8.75E-07	8.33E-07	7.94E-07	7.57E-07	6.36E-07	6.93E-07	6.64E-07	6.37E-07
S	1.24E-06	1.18E-06	1.12E-06	1.06E-06	1.01E-06	9.67E-07	9.24E-07	8.85E-07	8.48E-07	8.14E-07
SSW	9.76E-07	9.25E-07	8.79E-07	8.37E-07	7.98E-07	7.62E-07	7.28E-07	6.97E-07	6.69E-07	6.42E-07
SW	9.50E-07	9.01E-07	8.56E-07	8.15E-07	7.77E-07	7.41E-07	7.09E-07	6.79E-07	6.51E-07	6.24E-07
WSW	9.54E-07	9.06E-07	8.61E-07	8.20E-07	7.82E-07	7.48E-07	7.15E-07	6.85E-07	6.57E-07	6.31E-07
W	1.27E-06	1.20E-06	1.14E-06	1.09E-06	1.04E-06	9.90E-07	9.47E-07	9.06E-07	8.69E-07	8.34E-07
WNW	1.49E-06	1.41E-06	1.34E-06	1.28E-06	1.22E-06	1.17E-06	1.12E-06	1.07E-06	1.03E-06	9.84E-07
NW	1.15E-06	1.09E-06	1.04E-06	9.92E-07	9.48E-07	9.07E-07	8.70E-07	8.35E-07	8.02E-07	7.72E-07
NNW	2.05E-06	1.95E-06	1.85E-06	1.76E-06	1.67E-06	1.60E-06	1.53E-06	1.46E-06	1.40E-06	1.34E-06

Period of record: 1/1/2016 to 12/31/2020

* Measured relevant to the respective Pond (2A-2C)

Table 25 Monticello Pond 2A-2C Dispersion Parameters for Short Term Ground Level Releases
> 500 Hrs/Yr or > 150 Hrs/Qtr (cont'd)
For Standard Distances (As Measured from the Pond 2A-2C) (χ/q), sec/m³

Sector*	Distance in Miles from Pond									
	4.1	4.2	4.3	4.4	4.5	4.6	4.7	4.8	4.9	5.0
N	1.30E-06	1.25E-06	1.21E-06	1.17E-06	1.13E-06	1.09E-06	1.06E-06	1.03E-06	9.94E-07	9.64E-07
NNE	1.18E-06	1.13E-06	1.09E-06	1.06E-06	1.02E-06	9.86E-07	9.55E-07	9.25E-07	8.97E-07	8.70E-07
NE	1.01E-06	9.75E-07	9.40E-07	9.07E-07	8.77E-07	8.48E-07	8.20E-07	7.94E-07	7.70E-07	7.47E-07
ENE	6.03E-07	5.82E-07	5.61E-07	5.42E-07	5.24E-07	5.06E-07	4.90E-07	4.75E-07	4.61E-07	4.47E-07
E	4.96E-07	4.76E-07	4.57E-07	4.40E-07	4.23E-07	4.08E-07	3.93E-07	3.80E-07	3.67E-07	3.55E-07
ESE	4.34E-07	4.16E-07	4.00E-07	3.84E-07	3.70E-07	3.56E-07	3.44E-07	3.32E-07	3.20E-07	3.10E-07
SE	5.32E-07	5.11E-07	4.91E-07	4.72E-07	4.54E-07	4.38E-07	4.22E-07	4.07E-07	3.93E-07	3.80E-07
SSE	6.12E-07	5.11E-07	5.66E-07	5.46E-07	5.26E-07	5.08E-07	4.22E-07	4.75E-07	4.59E-07	4.45E-07
S	7.82E-07	7.52E-07	7.24E-07	6.98E-07	6.73E-07	6.50E-07	6.28E-07	6.08E-07	5.88E-07	5.70E-07
SSW	6.17E-07	5.93E-07	5.71E-07	5.50E-07	5.31E-07	5.13E-07	4.96E-07	4.79E-07	4.64E-07	4.50E-07
SW	6.00E-07	5.77E-07	5.56E-07	5.36E-07	5.17E-07	4.99E-07	4.82E-07	4.66E-07	4.52E-07	4.37E-07
WSW	6.07E-07	5.84E-07	5.63E-07	5.43E-07	5.24E-07	5.06E-07	4.90E-07	4.74E-07	4.59E-07	4.45E-07
W	8.02E-07	7.71E-07	7.43E-07	7.16E-07	6.91E-07	6.67E-07	6.45E-07	6.24E-07	6.04E-07	5.85E-07
WNW	9.46E-07	9.11E-07	8.77E-07	8.46E-07	8.16E-07	7.89E-07	7.63E-07	7.38E-07	7.15E-07	6.93E-07
NW	7.43E-07	7.16E-07	6.91E-07	6.67E-07	6.45E-07	6.24E-07	6.04E-07	5.86E-07	5.68E-07	5.51E-07
NNW	1.29E-06	1.24E-06	1.19E-06	1.15E-06	1.11E-06	1.07E-06	1.03E-06	9.97E-07	9.65E-07	9.34E-07

Period of record: 1/1/2016 to 12/31/2020

* Measured relevant to the respective Pond (2A-2C)

Table 25 Monticello Pond 2A-2C Dispersion Parameters for Short Term Ground Level Releases
> 500 Hrs/Yr or > 150 Hrs/Qtr (cont'd)
For Standard Distances (As Measured from the Pond 2A-2C) (χ/q), sec/m³

Sector*	Distance in Miles from Pond									
	7.5	10	15	20	25	30	35	40	45	50
N	1.36E-07	9.06E-08	5.39E-08	3.74E-08	2.83E-08	2.25E-08	1.86E-08	1.58E-08	1.36E-08	1.20E-08
NNE	1.18E-07	7.86E-08	4.68E-08	3.25E-08	2.46E-08	1.96E-08	1.62E-08	1.37E-08	1.19E-08	1.04E-08
NE	9.18E-08	6.07E-08	3.59E-08	2.48E-08	1.87E-08	1.48E-08	1.22E-08	1.03E-08	8.91E-09	7.82E-09
ENE	6.30E-08	4.12E-08	2.40E-08	1.65E-08	1.23E-08	9.71E-09	7.95E-09	6.70E-09	5.76E-09	5.03E-09
E	5.87E-08	3.80E-08	2.18E-08	1.48E-08	1.09E-08	8.58E-09	7.00E-09	5.87E-09	5.02E-09	4.38E-09
ESE	4.57E-08	2.95E-08	1.69E-08	1.15E-08	8.49E-09	6.66E-09	5.43E-09	4.55E-09	3.90E-09	3.39E-09
SE	6.57E-08	4.24E-08	2.42E-08	1.63E-08	1.21E-08	9.45E-09	7.69E-09	6.44E-09	5.51E-09	4.79E-09
SSE	8.08E-08	5.24E-08	3.01E-08	2.05E-08	1.52E-08	1.19E-08	9.74E-09	8.17E-09	7.01E-09	6.11E-09
S	7.14E-08	4.65E-08	2.70E-08	1.84E-08	1.37E-08	1.08E-08	8.83E-09	7.43E-09	6.38E-09	5.57E-09
SSW	5.89E-08	3.83E-08	2.21E-08	1.51E-08	1.12E-08	8.81E-09	7.20E-09	6.05E-09	5.19E-09	4.53E-09
SW	5.63E-08	3.65E-08	2.10E-08	1.43E-08	1.06E-08	8.35E-09	6.82E-09	5.73E-09	4.91E-09	4.28E-09
WSW	5.73E-08	3.73E-08	2.16E-08	1.48E-08	1.10E-08	8.69E-09	7.11E-09	5.98E-09	5.14E-09	4.49E-09
W	7.22E-08	4.72E-08	2.74E-08	1.88E-08	1.40E-08	1.11E-08	9.07E-09	7.63E-09	6.56E-09	5.74E-09
WNW	8.94E-08	5.89E-08	3.46E-08	2.39E-08	1.79E-08	1.42E-08	1.17E-08	9.86E-09	8.50E-09	7.45E-09
NW	9.69E-08	6.36E-08	3.72E-08	2.55E-08	1.91E-08	1.51E-08	1.24E-08	1.05E-08	8.99E-09	7.87E-09
NNW	9.78E-08	6.45E-08	3.80E-08	2.62E-08	1.97E-08	1.56E-08	1.28E-08	1.08E-08	9.35E-09	8.19E-09

Period of record: 1/1/2016 to 12/31/2020

* Measured relevant to the respective Pond (2A-2C)

Table 26 Monticello Pond 2A-2C Dispersion Parameters for Short Term Ground Level Releases
> 500 Hrs/Yr or > 150 Hrs/Qtr

For Standard Distances (As Measured from the Pond 2A-2C) (D/q), m⁻²

Sector*	Distance in Miles from Pond									
	0.1	0.2	0.3	0.4	0.5	0.6	0.7	0.8	0.9	1.0
N	1.46E-06	5.47E-07	2.93E-07	1.84E-07	1.27E-07	9.39E-08	7.23E-08	5.59E-08	4.31E-08	3.45E-08
NNE	1.41E-06	5.27E-07	2.83E-07	1.78E-07	1.23E-07	9.14E-08	7.08E-08	5.50E-08	4.25E-08	3.39E-08
NE	1.15E-06	4.28E-07	2.29E-07	1.44E-07	9.92E-08	7.36E-08	5.70E-08	4.43E-08	3.43E-08	2.74E-08
ENE	7.99E-07	2.98E-07	1.58E-07	1.18E-07	8.12E-08	6.14E-08	4.84E-08	3.80E-08	2.95E-08	2.35E-08
E	1.15E-06	4.31E-07	2.30E-07	1.44E-07	9.93E-08	7.43E-08	5.84E-08	4.58E-08	3.56E-08	2.84E-08
ESE	1.05E-06	3.93E-07	2.19E-07	1.40E-07	9.77E-08	7.27E-08	5.68E-08	4.43E-08	3.42E-08	2.71E-08
SE	1.27E-06	4.73E-07	2.66E-07	1.71E-07	1.20E-07	8.89E-08	6.92E-08	5.38E-08	4.15E-08	3.28E-08
SSE	1.29E-06	4.73E-07	2.62E-07	1.70E-07	1.14E-07	8.20E-08	6.92E-08	4.71E-08	3.61E-08	2.91E-08
S	1.05E-06	3.91E-07	2.08E-07	1.31E-07	9.13E-08	6.91E-08	5.45E-08	4.27E-08	3.32E-08	2.65E-08
SSW	9.16E-07	3.40E-07	1.81E-07	1.25E-07	8.75E-08	6.62E-08	5.22E-08	4.09E-08	3.18E-08	2.53E-08
SW	8.87E-07	3.30E-07	1.75E-07	1.21E-07	8.44E-08	6.37E-08	5.02E-08	3.93E-08	3.05E-08	2.43E-08
WSW	7.89E-07	2.93E-07	1.56E-07	1.09E-07	7.56E-08	5.73E-08	4.52E-08	3.55E-08	2.76E-08	2.20E-08
W	9.65E-07	3.59E-07	1.90E-07	1.20E-07	8.28E-08	6.29E-08	4.97E-08	3.91E-08	3.05E-08	2.43E-08
WNW	1.15E-06	4.28E-07	2.28E-07	1.41E-07	9.71E-08	7.37E-08	5.83E-08	4.58E-08	3.57E-08	2.84E-08
NW	1.03E-06	3.83E-07	2.03E-07	1.54E-07	1.07E-07	8.09E-08	6.39E-08	5.02E-08	3.91E-08	3.11E-08
NNW	1.48E-06	5.54E-07	2.98E-07	1.54E-07	1.06E-07	7.95E-08	6.21E-08	4.85E-08	3.76E-08	3.00E-08

Period of record: 1/1/2016 to 12/31/2020

* Measured relevant to the respective Pond (2A-2C)

Table 26 Monticello Pond 2A-2C Dispersion Parameters for Short Term Ground Level Releases
> 500 Hrs/Yr or > 150 Hrs/Qtr (cont'd)
For Standard Distances (As Measured from the Pond 2A-2C) (D/q), m⁻²

Sector*	Distance in Miles from Pond									
	1.1	1.2	1.3	1.4	1.5	1.6	1.7	1.8	1.9	2.0
N	2.81E-08	2.34E-08	1.98E-08	1.69E-08	1.46E-08	1.28E-08	1.13E-08	1.00E-08	8.95E-09	8.05E-09
NNE	2.77E-08	2.30E-08	1.94E-08	1.66E-08	1.44E-08	1.26E-08	1.11E-08	9.82E-09	8.77E-09	7.89E-09
NE	2.23E-08	1.86E-08	1.57E-08	1.34E-08	1.16E-08	1.01E-08	8.94E-09	7.94E-09	7.10E-09	6.38E-09
ENE	1.92E-08	1.59E-08	1.34E-08	1.15E-08	9.91E-09	8.65E-09	7.62E-09	6.76E-09	6.04E-09	5.42E-09
E	2.31E-08	1.92E-08	1.62E-08	1.38E-08	1.20E-08	1.04E-08	9.20E-09	8.16E-09	7.29E-09	6.55E-09
ESE	2.20E-08	1.82E-08	1.53E-08	1.30E-08	1.12E-08	9.75E-09	8.56E-09	7.57E-09	6.74E-09	6.04E-09
SE	2.66E-08	2.20E-08	1.85E-08	1.57E-08	1.35E-08	1.18E-08	1.03E-08	9.11E-09	8.11E-09	7.27E-09
SSE	2.40E-08	2.20E-08	1.71E-08	1.48E-08	1.28E-08	1.13E-08	1.03E-08	8.92E-09	8.02E-09	7.24E-09
S	2.16E-08	1.79E-08	1.51E-08	1.29E-08	1.12E-08	9.73E-09	8.57E-09	7.60E-09	6.79E-09	6.10E-09
SSW	2.06E-08	1.71E-08	1.44E-08	1.23E-08	1.06E-08	9.24E-09	8.13E-09	7.20E-09	6.43E-09	5.77E-09
SW	1.98E-08	1.64E-08	1.38E-08	1.18E-08	1.02E-08	8.91E-09	7.84E-09	6.95E-09	6.21E-09	5.58E-09
WSW	1.79E-08	1.49E-08	1.26E-08	1.07E-08	9.26E-09	8.08E-09	7.11E-09	6.31E-09	5.64E-09	5.06E-09
W	1.98E-08	1.64E-08	1.39E-08	1.18E-08	1.02E-08	8.93E-09	7.86E-09	6.97E-09	6.23E-09	5.60E-09
WNW	2.32E-08	1.92E-08	1.62E-08	1.39E-08	1.20E-08	1.04E-08	9.19E-09	8.15E-09	7.28E-09	6.54E-09
NW	2.53E-08	2.10E-08	1.77E-08	1.51E-08	1.31E-08	1.14E-08	1.00E-08	8.90E-09	7.94E-09	7.14E-09
NNW	2.45E-08	2.03E-08	1.72E-08	1.47E-08	1.27E-08	1.11E-08	9.75E-09	8.66E-09	7.74E-09	6.95E-09

Period of record: 1/1/2016 to 12/31/2020

* Measured relevant to the respective Pond (2A-2C)

Table 26 Monticello Pond 2A-2C Dispersion Parameters for Short Term Ground Level Releases
> 500 Hrs/Yr or > 150 Hrs/Qtr (cont'd)
For Standard Distances (As Measured from the Pond 2A-2C) (D/q), m⁻²

Sector*	Distance in Miles from Pond									
	2.1	2.2	2.3	2.4	2.5	2.6	2.7	2.8	2.9	3.0
N	7.28E-09	6.62E-09	6.05E-09	5.54E-09	5.10E-09	4.71E-09	4.36E-09	4.05E-09	3.77E-09	3.52E-09
NNE	7.13E-09	6.48E-09	5.92E-09	5.42E-09	4.98E-09	4.60E-09	4.26E-09	3.95E-09	3.68E-09	3.44E-09
NE	5.77E-09	5.24E-09	4.79E-09	4.39E-09	4.04E-09	3.73E-09	3.45E-09	3.20E-09	2.98E-09	2.78E-09
ENE	4.90E-09	4.45E-09	4.06E-09	3.72E-09	3.42E-09	3.15E-09	2.92E-09	2.71E-09	2.52E-09	2.35E-09
E	5.92E-09	5.36E-09	4.88E-09	4.45E-09	4.08E-09	3.76E-09	3.47E-09	3.21E-09	2.98E-09	2.78E-09
ESE	5.45E-09	4.93E-09	4.49E-09	4.10E-09	3.76E-09	3.46E-09	3.20E-09	2.96E-09	2.75E-09	2.56E-09
SE	6.56E-09	5.94E-09	5.41E-09	4.94E-09	4.53E-09	4.17E-09	3.85E-09	3.57E-09	3.31E-09	3.09E-09
SSE	5.97E-09	5.94E-09	4.94E-09	4.52E-09	4.16E-09	3.83E-09	3.85E-09	3.29E-09	3.06E-09	2.86E-09
S	5.51E-09	5.00E-09	4.57E-09	4.18E-09	3.84E-09	3.55E-09	3.28E-09	3.05E-09	2.84E-09	2.65E-09
SSW	5.21E-09	4.73E-09	4.32E-09	3.95E-09	3.63E-09	3.35E-09	3.10E-09	2.87E-09	2.67E-09	2.49E-09
SW	5.04E-09	4.57E-09	4.17E-09	3.82E-09	3.51E-09	3.24E-09	3.00E-09	2.78E-09	2.59E-09	2.42E-09
WSW	4.57E-09	4.15E-09	3.79E-09	3.47E-09	3.19E-09	2.94E-09	2.72E-09	2.53E-09	2.35E-09	2.20E-09
W	5.06E-09	4.59E-09	4.19E-09	3.84E-09	3.53E-09	3.25E-09	3.01E-09	2.80E-09	2.60E-09	2.43E-09
WNW	5.91E-09	5.37E-09	4.90E-09	4.48E-09	4.12E-09	3.80E-09	3.52E-09	3.26E-09	3.04E-09	2.83E-09
NW	6.44E-09	5.85E-09	5.34E-09	4.89E-09	4.49E-09	4.14E-09	3.83E-09	3.56E-09	3.31E-09	3.09E-09
NNW	6.29E-09	5.71E-09	5.21E-09	4.78E-09	4.39E-09	4.05E-09	3.75E-09	3.48E-09	3.24E-09	3.03E-09

Period of record: 1/1/2016 to 12/31/2020

* Measured relevant to the respective Pond (2A-2C)

Table 26 Monticello Pond 2A-2C Dispersion Parameters for Short Term Ground Level Releases
> 500 Hrs/Yr or > 150 Hrs/Qtr (cont'd)
For Standard Distances (As Measured from the Pond 2A-2C) (D/q), m⁻²

Sector*	Distance in Miles from Pond									
	3.1	3.2	3.3	3.4	3.5	3.6	3.7	3.8	3.9	4.0
N	3.29E-09	3.09E-09	2.90E-09	2.73E-09	2.58E-09	2.44E-09	2.31E-09	2.19E-09	2.08E-09	1.97E-09
NNE	3.22E-09	3.01E-09	2.83E-09	2.67E-09	2.52E-09	2.38E-09	2.25E-09	2.13E-09	2.02E-09	1.92E-09
NE	2.61E-09	2.45E-09	2.30E-09	2.16E-09	2.04E-09	1.93E-09	1.83E-09	1.73E-09	1.64E-09	1.56E-09
ENE	1.73E-09	1.62E-09	1.53E-09	1.44E-09	1.36E-09	1.29E-09	1.22E-09	1.16E-09	1.10E-09	1.05E-09
E	2.59E-09	2.42E-09	2.27E-09	2.13E-09	2.01E-09	1.89E-09	1.79E-09	1.69E-09	1.60E-09	1.52E-09
ESE	2.39E-09	2.23E-09	2.09E-09	1.97E-09	1.85E-09	1.75E-09	1.65E-09	1.56E-09	1.48E-09	1.40E-09
SE	2.88E-09	2.70E-09	2.53E-09	2.38E-09	2.24E-09	2.11E-09	1.99E-09	1.89E-09	1.79E-09	1.70E-09
SSE	2.67E-09	2.70E-09	2.36E-09	2.22E-09	2.09E-09	1.98E-09	1.99E-09	1.77E-09	1.68E-09	1.60E-09
S	2.47E-09	2.32E-09	2.18E-09	2.05E-09	1.93E-09	1.83E-09	1.73E-09	1.64E-09	1.56E-09	1.48E-09
SSW	2.12E-09	1.99E-09	1.87E-09	1.76E-09	1.66E-09	1.57E-09	1.48E-09	1.41E-09	1.34E-09	1.27E-09
SW	2.05E-09	1.92E-09	1.80E-09	1.70E-09	1.60E-09	1.52E-09	1.43E-09	1.36E-09	1.29E-09	1.23E-09
WSW	1.80E-09	1.69E-09	1.59E-09	1.50E-09	1.41E-09	1.34E-09	1.26E-09	1.20E-09	1.14E-09	1.08E-09
W	2.27E-09	2.13E-09	2.00E-09	1.88E-09	1.78E-09	1.68E-09	1.59E-09	1.50E-09	1.43E-09	1.36E-09
WNW	2.71E-09	2.54E-09	2.39E-09	2.25E-09	2.12E-09	2.00E-09	1.89E-09	1.79E-09	1.70E-09	1.62E-09
NW	2.22E-09	2.09E-09	1.97E-09	1.85E-09	1.75E-09	1.66E-09	1.57E-09	1.49E-09	1.42E-09	1.35E-09
NNW	3.66E-09	3.43E-09	3.21E-09	3.02E-09	2.84E-09	2.68E-09	2.53E-09	2.39E-09	2.27E-09	2.15E-09

Period of record: 1/1/2016 to 12/31/2020

* Measured relevant to the respective Pond (2A-2C)

Table 26 Monticello Pond 2A-2C Dispersion Parameters for Short Term Ground Level Releases
> 500 Hrs/Yr or > 150 Hrs/Qtr (cont'd)
For Standard Distances (As Measured from the Pond 2A-2C) (D/q), m⁻²

Sector*	Distance in Miles from Pond									
	4.1	4.2	4.3	4.4	4.5	4.6	4.7	4.8	4.9	5.0
N	1.88E-09	1.79E-09	1.71E-09	1.63E-09	1.56E-09	1.50E-09	1.43E-09	1.38E-09	1.32E-09	1.27E-09
NNE	1.83E-09	1.75E-09	1.67E-09	1.59E-09	1.52E-09	1.46E-09	1.40E-09	1.34E-09	1.29E-09	1.23E-09
NE	1.49E-09	1.42E-09	1.35E-09	1.29E-09	1.24E-09	1.18E-09	1.13E-09	1.09E-09	1.04E-09	1.00E-09
ENE	1.00E-09	9.54E-10	9.12E-10	8.72E-10	8.35E-10	8.00E-10	7.68E-10	7.37E-10	7.08E-10	6.81E-10
E	1.45E-09	1.37E-09	1.31E-09	1.25E-09	1.19E-09	1.14E-09	1.09E-09	1.04E-09	9.99E-10	9.59E-10
ESE	1.33E-09	1.27E-09	1.21E-09	1.15E-09	1.10E-09	1.05E-09	1.01E-09	9.63E-10	9.23E-10	8.85E-10
SE	1.61E-09	1.53E-09	1.46E-09	1.39E-09	1.33E-09	1.27E-09	1.22E-09	1.17E-09	1.12E-09	1.07E-09
SSE	1.52E-09	1.53E-09	1.39E-09	1.32E-09	1.27E-09	1.21E-09	1.22E-09	1.11E-09	1.07E-09	1.03E-09
S	1.41E-09	1.34E-09	1.28E-09	1.22E-09	1.17E-09	1.12E-09	1.07E-09	1.03E-09	9.85E-10	9.46E-10
SSW	1.21E-09	1.15E-09	1.10E-09	1.05E-09	1.00E-09	9.61E-10	9.21E-10	8.84E-10	8.49E-10	8.15E-10
SW	1.17E-09	1.11E-09	1.06E-09	1.02E-09	9.72E-10	9.31E-10	8.92E-10	8.56E-10	8.22E-10	7.89E-10
WSW	1.03E-09	9.83E-10	9.39E-10	8.97E-10	8.58E-10	8.22E-10	7.88E-10	7.56E-10	7.26E-10	6.98E-10
W	1.29E-09	1.23E-09	1.17E-09	1.12E-09	1.07E-09	1.03E-09	9.82E-10	9.42E-10	9.04E-10	8.68E-10
WNW	1.54E-09	1.46E-09	1.40E-09	1.33E-09	1.27E-09	1.22E-09	1.17E-09	1.12E-09	1.07E-09	1.03E-09
NW	1.29E-09	1.23E-09	1.17E-09	1.12E-09	1.08E-09	1.03E-09	9.88E-10	9.49E-10	9.12E-10	8.77E-10
NNW	2.04E-09	1.94E-09	1.85E-09	1.77E-09	1.69E-09	1.61E-09	1.54E-09	1.48E-09	1.42E-09	1.36E-09

Period of record: 1/1/2016 to 12/31/2020

* Measured relevant to the respective Pond (2A-2C)

Table 26 Monticello Pond 2A-2C Dispersion Parameters for Short Term Ground Level Releases
> 500 Hrs/Yr or > 150 Hrs/Qtr (cont'd)
For Standard Distances (As Measured from the Pond 2A-2C) (D/q), m⁻²

Sector*	Distance in Miles from Pond									
	7.5	10	15	20	25	30	35	40	45	50
N	1.02E-10	6.16E-11	3.12E-11	1.89E-11	1.26E-11	9.06E-12	6.80E-12	5.29E-12	4.23E-12	3.45E-12
NNE	9.21E-11	5.58E-11	2.82E-11	1.71E-11	1.14E-11	8.20E-12	6.16E-12	4.79E-12	3.82E-12	3.12E-12
NE	8.77E-11	5.31E-11	2.68E-11	1.63E-11	1.09E-11	7.81E-12	5.86E-12	4.56E-12	3.64E-12	2.97E-12
ENE	7.71E-11	4.67E-11	2.36E-11	1.43E-11	9.58E-12	6.86E-12	5.15E-12	4.01E-12	3.20E-12	2.61E-12
E	9.17E-11	5.55E-11	2.81E-11	1.70E-11	1.14E-11	8.16E-12	6.13E-12	4.77E-12	3.81E-12	3.11E-12
ESE	1.13E-10	6.82E-11	3.45E-11	2.09E-11	1.40E-11	1.00E-11	7.52E-12	5.85E-12	4.67E-12	3.81E-12
SE	1.31E-10	7.94E-11	4.01E-11	2.43E-11	1.63E-11	1.17E-11	8.76E-12	6.81E-12	5.44E-12	4.44E-12
SSE	1.20E-10	7.27E-11	3.67E-11	2.22E-11	1.49E-11	1.07E-11	8.02E-12	6.24E-12	4.98E-12	4.07E-12
S	1.50E-10	9.06E-11	4.58E-11	2.77E-11	1.86E-11	1.33E-11	9.99E-12	7.77E-12	6.21E-12	5.07E-12
SSW	1.40E-10	8.46E-11	4.28E-11	2.59E-11	1.74E-11	1.24E-11	9.33E-12	7.26E-12	5.80E-12	4.73E-12
SW	1.04E-10	6.28E-11	3.17E-11	1.92E-11	1.29E-11	9.22E-12	6.93E-12	5.39E-12	4.30E-12	3.51E-12
WSW	8.18E-11	4.96E-11	2.51E-11	1.52E-11	1.02E-11	7.29E-12	5.47E-12	4.25E-12	3.40E-12	2.77E-12
W	1.37E-10	8.33E-11	4.21E-11	2.55E-11	1.71E-11	1.22E-11	9.19E-12	7.14E-12	5.71E-12	4.66E-12
WNW	1.14E-10	6.87E-11	3.47E-11	2.10E-11	1.41E-11	1.01E-11	7.59E-12	5.90E-12	4.71E-12	3.85E-12
NW	1.62E-10	9.79E-11	4.95E-11	2.99E-11	2.01E-11	1.44E-11	1.08E-11	8.40E-12	6.71E-12	5.48E-12
NNW	1.61E-10	9.78E-11	4.94E-11	2.99E-11	2.01E-11	1.44E-11	1.08E-11	8.39E-12	6.70E-12	5.47E-12

Period of record: 1/1/2016 to 12/31/2020

* Measured relevant to the respective Pond (2A-2C)

MONTICELLO NUCLEAR GENERATING PLANT	ODCM-APP-A
APPENDIX A	Revision 7
	Page 109 of 109

3.0 **BASES**

3.1 **Water Storage Ponds #2A-2C**

The vendor was informed to approach the additional Water Storage Ponds #2A-2C as three separate release points. Per the vendor analysis of Monticello MET data from 2016-2020, see vendor report R-5366556-01, the three additional ponds have identical X/Q and D/Q values. This results in Water Storage Ponds #2A-2C sharing tables in ODCM-APP-A. The distance to the receptor of interest is measured from the center of each of the respective Water Storage Ponds.

MONTICELLO NUCLEAR GENERATING PLANT		ODCM-APP-B
TITLE:	APPENDIX B	Revision 2
		Page 1 of 20

Approval: ODC 01473824

OFFSITE DOSE CALCULATION MANUAL - TABLE OF CONTENTS

<u>SECTION</u>	<u>PAGE</u>
1.0 RECORD OF REVISION	2
Table 1 Monticello Nuclear Generating Plant Site Meteorology - Stability Class A, Elevation 10 Meters.....	3
Table 2 Monticello Nuclear Generating Plant Site Meteorology - Stability Class B, Elevation 10 Meters.....	4
Table 3 Monticello Nuclear Generating Plant Site Meteorology - Stability Class C, Elevation 10 Meters.....	5
Table 4 Monticello Nuclear Generating Plant Site Meteorology - Stability Class D, Elevation 10 Meters.....	6
Table 5 Monticello Nuclear Generating Plant Site Meteorology - Stability Class E, Elevation 10 Meters.....	7
Table 6 Monticello Nuclear Generating Plant Site Meteorology - Stability Class F, Elevation 10 Meters.....	8
Table 7 Monticello Nuclear Generating Plant Site Meteorology - Stability Class G, Elevation 10 Meters.....	9
Table 8 Monticello Nuclear Generating Plant Site Meteorology - All Classes Combined Elevation 10 Meters.....	10
Table 9 Monticello Nuclear Generating Plant Site Meteorology - Stability Class A, Elevation 100 Meters.....	12
Table 10 Monticello Nuclear Generating Plant Site Meteorology - Stability Class B, Elevation 100 Meters.....	13
Table 11 Monticello Nuclear Generating Plant Site Meteorology - Stability Class C, Elevation 100 Meters.....	14
Table 12 Monticello Nuclear Generating Plant Site Meteorology - Stability Class D, Elevation 100 Meters.....	15
Table 13 Monticello Nuclear Generating Plant Site Meteorology - Stability Class E, Elevation 100 Meters.....	16
Table 14 Monticello Nuclear Generating Plant Site Meteorology - Stability Class F, Elevation 100 Meters.....	17
Table 15 Monticello Nuclear Generating Plant Site Meteorology - Stability Class G, Elevation 100 Meters.....	18
Table 16 Monticello Nuclear Generating Plant Site Meteorology - All Classes Combined Elevation 100 Meters.....	19

MONTICELLO NUCLEAR GENERATING PLANT		ODCM-APP-B
TITLE:	APPENDIX B	Revision 2
		Page 2 of 20

1.0 RECORD OF REVISION

<u>Revision No.</u>	<u>Date</u>	<u>Reason for Revision</u>
0	October - 2000	Moved previous ODCM-07.01 and ODCM-08.01 tables of meteorological data to this document.
1	November - 2001	Typo, replaced missing M in Monticello on Page 1 of Table of Content.
2	October - 2010	Corrected Table of Contents page references, corrected wind direction error in Table 1 and added/corrected Wind Speed values to Table 12.

MONTICELLO NUCLEAR GENERATING PLANT		ODCM-APP-B
TITLE:	APPENDIX B	Revision 2
		Page 3 of 20

Table 1 Monticello Nuclear Generating Plant Site Meteorology - Stability Class A,
Elevation 10 Meters

Frequency Distribution Tables, Hours at each Wind Speed and Direction

Period of record: 9-1-76 through 8-31-78

Wind Speed (mph) at 10 Meter Level

Direction	1 to 3	4 to 7	8 to 12	13 to 18	19 to 24	Above 24	Total
N	4	18	63	30	7	0	122
NNE	2	20	30	14	2	0	68
NE	1	13	21	26	2	2	65
ENE	1	14	16	4	0	0	35
E	0	28	40	12	0	0	80
ESE	3	33	50	5	6	0	97
SE	2	26	50	35	12	3	128
SSE	8	46	96	122	11	0	283
S	9	36	68	117	42	3	275
SSW	5	63	94	58	20	4	244
SW	4	35	64	32	5	3	143
WSW	3	25	74	26	0	0	128
W	0	29	47	18	1	0	95
WNW	4	34	73	79	14	0	204
NW	3	29	58	61	3	0	154
NNW	6	29	109	67	13	0	224
VAR	0	0	0	0	0	0	0

Total Hours This Class: 2350
Hours of Calm This Class: 5
Percent of All Data This Class: 14.27

MONTICELLO NUCLEAR GENERATING PLANT		ODCM-APP-B
TITLE:	APPENDIX B	Revision 2
		Page 4 of 20

Table 2 Monticello Nuclear Generating Plant Site Meteorology - Stability Class B,
Elevation 10 Meters

Frequency Distribution Tables, Hours at each Wind Speed and Direction

Period of record: 9-1-76 through 8-31-78

Wind Speed (mph) at 10 Meter Level

Direction	1 to 3	4 to 7	8 to 12	13 to 18	19 to 24	Above 24	Total
N	2	14	19	4	0	1	40
NNE	4	10	8	5	0	0	27
NE	0	6	3	2	0	0	11
ENE	1	11	7	2	0	0	21
E	0	13	4	0	0	0	17
ESE	1	15	10	3	3	0	32
SE	0	9	9	9	0	0	27
SSE	2	12	9	9	0	0	32
S	2	13	21	7	1	0	44
SSW	1	22	19	4	0	0	46
SW	0	11	10	3	0	0	24
WSW	1	12	11	3	0	0	27
W	0	12	19	8	2	1	42
WNW	0	11	20	21	5	1	58
NW	1	8	22	13	3	0	47
NNW	1	8	40	26	4	1	80
VAR	0	0	0	0	0	0	0

Total Hours This Class: 575
Hours of Calm This Class: 0
Percent of All Data This Class: 3.49

MONTICELLO NUCLEAR GENERATING PLANT		ODCM-APP-B
TITLE:	APPENDIX B	Revision 2
		Page 5 of 20

Table 3 Monticello Nuclear Generating Plant Site Meteorology - Stability Class C,
Elevation 10 Meters

Frequency Distribution Tables, Hours at each Wind Speed and Direction

Period of record: 9-1-76 through 8-31-78

Wind Speed (mph) at 10 Meter Level

Direction	1 to 3	4 to 7	8 to 12	13 to 18	19 to 24	Above 24	Total
N	0	12	16	8	0	0	36
NNE	3	13	13	4	1	0	34
NE	2	10	11	5	2	0	30
ENE	1	19	4	2	0	0	26
E	0	8	10	2	0	0	20
ESE	2	14	12	5	2	0	35
SE	0	12	16	9	0	0	37
SSE	0	10	21	8	0	0	39
S	6	12	28	18	3	0	67
SSW	3	16	12	3	2	1	37
SW	3	11	14	3	1	0	32
WSW	2	5	11	2	0	0	20
W	4	22	19	5	1	0	51
WNW	4	23	38	19	3	0	87
NW	3	17	18	30	4	0	72
NNW	2	22	40	27	5	1	97
VAR	0	0	0	0	0	0	0

Total Hours This Class: 720
Hours of Calm This Class: 0
Percent of All Data This Class: 4.37

MONTICELLO NUCLEAR GENERATING PLANT		ODCM-APP-B
TITLE:	APPENDIX B	Revision 2
		Page 6 of 20

Table 4 Monticello Nuclear Generating Plant Site Meteorology - Stability Class D,
Elevation 10 Meters

Frequency Distribution Tables, Hours at each Wind Speed and Direction

Period of record: 9-1-76 through 8-31-78

Wind Speed (mph) at 10 Meter Level

Direction	1 to 3	4 to 7	8 to 12	13 to 18	19 to 24	Above 24	Total
N	9	107	135	39	1	0	291
NNE	32	132	87	18	1	0	270
NE	37	129	116	50	3	0	335
ENE	43	153	66	30	1	0	293
E	29	125	64	27	0	0	245
ESE	28	107	148	60	4	0	347
SE	16	103	153	36	2	0	310
SSE	13	97	103	35	2	0	250
S	19	84	96	33	1	0	233
SSW	16	73	70	19	6	1	185
SW	19	58	52	10	4	0	143
WSW	14	69	63	14	2	1	163
W	16	79	98	33	3	5	234
WNW	13	112	262	159	25	2	573
NW	17	82	255	232	61	3	650
NNW	19	104	247	246	49	1	666
VAR	0	0	0	0	0	0	0

Total Hours This Class: 5198
Hours of Calm This Class: 10
Percent of All Data This Class: 31.56

MONTICELLO NUCLEAR GENERATING PLANT		ODCM-APP-B
TITLE:	APPENDIX B	Revision 2
		Page 7 of 20

Table 5 Monticello Nuclear Generating Plant Site Meteorology - Stability Class E,
Elevation 10 Meters

Frequency Distribution Tables, Hours at each Wind Speed and Direction

Period of record: 9-1-76 through 8-31-78

Wind Speed (mph) at 10 Meter Level

Direction	1 to 3	4 to 7	8 to 12	13 to 18	19 to 24	Above 24	Total
N	20	98	57	6	0	0	181
NNE	43	81	35	2	0	0	161
NE	35	94	41	6	2	0	178
ENE	50	122	29	10	0	0	211
E	36	109	40	2	0	0	187
ESE	26	117	46	6	0	0	195
SE	19	111	136	18	2	0	286
SSE	20	95	116	33	1	0	265
S	22	84	144	43	1	0	294
SSW	22	72	99	25	9	0	227
SW	23	84	57	10	2	0	176
WSW	37	86	44	4	0	0	171
W	30	156	123	12	4	0	325
WNW	24	195	233	41	2	0	495
NW	20	133	247	84	0	0	484
NNW	25	145	217	38	1	0	426
VAR	0	0	0	0	0	0	0

Total Hours This Class: 4269
Hours of Calm This Class: 7
Percent of All Data This Class: 25.92

MONTICELLO NUCLEAR GENERATING PLANT		ODCM-APP-B
TITLE:	APPENDIX B	Revision 2
		Page 8 of 20

Table 6 Monticello Nuclear Generating Plant Site Meteorology - Stability Class F,
Elevation 10 Meters

Frequency Distribution Tables, Hours at each Wind Speed and Direction

Period of record: 9-1-76 through 8-31-78

Wind Speed (mph) at 10 Meter Level

Direction	1 to 3	4 to 7	8 to 12	13 to 18	19 to 24	Above 24	Total
N	30	62	3	0	0	0	95
NNE	37	54	0	0	0	0	91
NE	29	29	0	0	0	0	58
ENE	32	28	0	0	0	0	60
E	32	59	5	0	0	0	96
ESE	25	97	11	0	0	0	133
SE	22	83	19	0	0	0	124
SSE	16	122	12	0	0	0	150
S	24	93	31	3	0	0	151
SSW	27	67	14	0	0	0	108
SW	27	52	7	0	0	0	86
WSW	52	68	8	0	0	0	128
W	51	91	14	0	0	0	156
WNW	28	68	9	0	0	0	105
NW	36	67	12	0	0	0	115
NNW	30	119	29	0	0	0	178
VAR	0	0	0	0	0	0	0

Total Hours This Class: 1847
Hours of Calm This Class: 13
Percent of All Data This Class: 11.21

MONTICELLO NUCLEAR GENERATING PLANT		ODCM-APP-B
TITLE:	APPENDIX B	Revision 2
		Page 9 of 20

Table 7 Monticello Nuclear Generating Plant Site Meteorology - Stability Class G,
Elevation 10 Meters

Frequency Distribution Tables, Hours at each Wind Speed and Direction

Period of record: 9-1-76 through 8-31-78

Wind Speed (mph) at 10 Meter Level

Direction	1 to 3	4 to 7	8 to 12	13 to 18	19 to 24	Above 24	Total
N	45	31	0	0	0	0	76
NNE	40	16	0	0	0	0	56
NE	33	12	0	0	0	0	45
ENE	31	5	0	0	0	0	36
E	46	18	0	0	0	0	64
ESE	47	54	2	0	0	0	103
SE	52	34	1	1	0	0	88
SSE	67	111	3	6	0	0	187
S	64	109	23	2	0	0	198
SSW	61	65	10	2	0	0	138
SW	43	32	1	0	0	0	76
WSW	77	37	0	0	0	0	114
W	53	31	0	0	0	0	84
WNW	37	13	2	0	0	0	52
NW	49	15	3	4	0	0	71
NNW	47	48	2	0	0	0	97
VAR	0	0	0	0	0	0	0

Total Hours This Class: 1512
Hours of Calm This Class: 27
Percent of All Data This Class: 9.18

MONTICELLO NUCLEAR GENERATING PLANT		ODCM-APP-B
TITLE:	APPENDIX B	Revision 2
		Page 10 of 20

Table 8 Monticello Nuclear Generating Plant Site Meteorology - All Classes Combined
Elevation 10 Meters

Frequency Distribution Tables, Hours at each Wind Speed and Direction

Period of record: 9-1-76 through 8-31-78

Wind Speed (mph) at 10 Meter Level							
Direction	1 to 3	4 to 7	8 to 12	13 to 18	19 to 24	Above 24	Total
N	110	342	293	87	8	1	841
NNE	161	326	173	43	4	0	707
NE	137	293	192	89	9	2	722
ENE	159	352	122	48	1	0	682
E	143	360	163	43	0	0	709
ESE	132	437	279	79	15	0	942
SE	111	378	384	108	16	3	1000
SSE	126	493	360	213	14	0	1206
S	146	431	411	223	48	3	1262
SSW	135	378	318	111	37	6	985
SW	119	283	205	58	12	3	680
WSW	186	302	211	49	2	1	751
W	154	420	320	76	11	6	987
WNW	110	456	637	319	49	3	1574
NW	129	351	615	424	71	3	1593
NNW	130	475	684	404	72	3	1768
VAR	0	0	0	0	0	0	0

MONTICELLO NUCLEAR GENERATING PLANT		ODCM-APP-B
TITLE:	APPENDIX B	Revision 2
		Page 11 of 20

Table 8 Monticello Nuclear Generating Plant Site Meteorology - All Classes Combined
Elevation 10 Meters (cont'd)

Frequency Distribution Tables, Hours at each Wind Speed and Direction

Period of record: 9-1-76 through 8-31-78

Data Recovery for the Period

Total Hours:	17520
Hours of Calm:	62
Hours of Bad Data:	1049
Percent Data Recovery:	94.01

Percent Acceptable Observations in each Stability Class

Class A	14.27
Class B	3.49
Class C	4.37
Class D	31.56
Class E	25.92
Class F	11.21
Class G	9.18

Average Wind Speed for each Wind Category

1 to 3 MPH	2.5
4 to 7 MPH	5.5
8 to 12 MPH	9.7
13 to 18 MPH	14.7
19 to 24 MPH	20.6
Above 24 MPH	27.2

MONTICELLO NUCLEAR GENERATING PLANT		ODCM-APP-B
TITLE:	APPENDIX B	Revision 2
		Page 12 of 20

Table 9 Monticello Nuclear Generating Plant Site Meteorology - Stability Class A,
Elevation 100 Meters

Frequency Distribution Tables, Hours at each Wind Speed and Direction

Period of record: 9-1-76 through 8-31-78

Wind Speed (mph) at 100 Meter Level

Direction	1 to 3	4 to 7	8 to 12	13 to 18	19 to 24	Above 24	Total
N	0	1	2	10	1	0	14
NNE	0	1	1	1	0	0	3
NE	0	0	1	0	0	0	1
ENE	0	0	0	0	1	0	1
E	0	1	4	0	0	0	5
ESE	0	0	4	0	0	0	4
SE	0	0	4	8	0	6	18
SSE	0	1	5	42	36	15	99
S	0	1	3	28	35	12	79
SSW	0	1	10	37	53	39	140
SW	0	0	4	19	6	5	36
WSW	0	0	3	16	10	1	30
W	0	0	0	7	2	0	9
WNW	0	0	2	4	1	2	9
NW	0	0	3	6	6	3	18
NNW	0	0	1	14	4	0	19
VAR	0	0	0	0	0	0	0

Total Hours This Class: 489
Hours of Calm This Class: 4
Percent of All Data This Class: 2.95

MONTICELLO NUCLEAR GENERATING PLANT		ODCM-APP-B
TITLE:	APPENDIX B	Revision 2
		Page 13 of 20

Table 10 Monticello Nuclear Generating Plant Site Meteorology - Stability Class B,
Elevation 100 Meters

Frequency Distribution Tables, Hours at each Wind Speed and Direction

Period of record: 9-1-76 through 8-31-78

Wind Speed (mph) at 100 Meter Level

Direction	1 to 3	4 to 7	8 to 12	13 to 18	19 to 24	Above 24	Total
N	0	3	13	18	3	0	37
NNE	0	6	3	9	2	2	22
NE	0	1	7	6	0	0	14
ENE	0	2	3	7	2	0	14
E	0	2	15	1	0	0	18
ESE	0	5	17	3	0	2	27
SE	1	7	15	9	2	2	36
SSE	1	9	28	12	8	2	60
S	0	5	23	18	3	0	49
SSW	0	8	23	17	5	2	60
SW	0	7	18	8	5	1	39
WSW	0	7	8	14	2	1	32
W	0	4	8	18	5	0	35
WNW	0	4	12	17	7	6	46
NW	1	5	14	23	12	5	60
NNW	0	1	8	25	11	2	47
VAR	0	0	0	0	0	0	0

Total Hours This Class: 602
Hours of Calm This Class: 6
Percent of All Data This Class: 3.64

MONTICELLO NUCLEAR GENERATING PLANT		ODCM-APP-B
TITLE:	APPENDIX B	Revision 2
		Page 14 of 20

Table 11 Monticello Nuclear Generating Plant Site Meteorology - Stability Class C,
Elevation 100 Meters

Frequency Distribution Tables, Hours at each Wind Speed and Direction

Period of record: 9-1-76 through 8-31-78

Wind Speed (mph) at 100 Meter Level

Direction	1 to 3	4 to 7	8 to 12	13 to 18	19 to 24	Above 24	Total
N	3	9	26	25	13	2	78
NNE	2	12	14	14	8	2	52
NE	1	7	9	8	2	0	27
ENE	0	5	12	6	1	0	24
E	0	13	19	1	2	0	35
ESE	0	13	25	11	1	1	51
SE	2	17	12	8	4	0	43
SSE	0	26	38	19	10	2	95
S	0	15	23	13	7	4	62
SSW	0	28	33	23	11	2	97
SW	0	20	24	17	4	0	65
WSW	3	17	27	14	3	1	65
W	3	10	20	14	8	3	58
WNW	3	10	16	27	18	9	83
NW	2	8	22	38	26	10	106
NNW	2	3	16	42	19	8	90
VAR	0	0	0	0	0	0	0

Total Hours This Class: 1041
Hours of Calm This Class: 10
Percent of All Data This Class: 4.29

MONTICELLO NUCLEAR GENERATING PLANT		ODCM-APP-B
TITLE:	APPENDIX B	Revision 2
		Page 15 of 20

Table 12 Monticello Nuclear Generating Plant Site Meteorology - Stability Class D,
Elevation 100 Meters

Frequency Distribution Tables, Hours at each Wind Speed and Direction

Period of record: 9-1-76 through 8-31-78

Wind Speed (mph) at 100 Meter Level

Direction	1 to 3	4 to 7	8 to 12	13 to 18	19 to 24	Above 24	Total
N	11	51	82	95	181	130	550
NNE	11	41	106	120	50	12	340
NE	15	53	105	93	25	8	299
ENE	14	41	131	83	59	12	340
E	18	61	103	62	38	6	288
ESE	17	55	101	85	47	31	336
SE	13	57	108	152	68	23	421
SSE	9	63	119	148	71	17	427
S	16	61	95	122	61	8	363
SSW	14	61	85	120	46	34	360
SW	14	54	80	74	32	11	265
WSW	13	52	69	44	21	11	210
W	8	45	89	59	29	17	247
WNW	14	51	141	165	77	62	510
NW	7	50	170	366	312	143	1048
NNW	12	52	176	312	350	229	1131
VAR	0	0	0	0	0	0	0

Total Hours This Class: 7264
Hours of Calm This Class: 129
Percent of All Data This Class: 43.87

MONTICELLO NUCLEAR GENERATING PLANT		ODCM-APP-B
TITLE:	APPENDIX B	Revision 2
		Page 16 of 20

Table 13 Monticello Nuclear Generating Plant Site Meteorology - Stability Class E,
Elevation 100 Meters

Frequency Distribution Tables, Hours at each Wind Speed and Direction

Period of record: 9-1-76 through 8-31-78

Wind Speed (mph) at 100 Meter Level

Direction	1 to 3	4 to 7	8 to 12	13 to 18	19 to 24	Above 24	Total
N	4	17	59	99	82	11	272
NNE	7	18	37	68	32	3	165
NE	4	16	47	58	20	2	147
ENE	4	33	68	93	27	9	234
E	4	27	64	75	15	2	187
ESE	5	20	46	74	37	11	193
SE	10	23	63	97	58	3	254
SSE	5	22	58	94	105	16	300
S	5	13	57	140	97	20	332
SSW	2	25	49	115	125	22	338
SW	7	24	67	102	84	18	302
WSW	3	19	42	73	37	8	182
W	5	20	47	55	35	2	164
WNW	4	18	63	136	93	13	327
NW	6	15	71	172	141	12	417
NNW	3	27	86	244	198	17	575
VAR	0	0	0	0	0	0	0

Total Hours This Class:	4433
Hours of Calm This Class:	44
Percent of All Data This Class:	26.77

MONTICELLO NUCLEAR GENERATING PLANT		ODCM-APP-B
TITLE:	APPENDIX B	Revision 2
		Page 17 of 20

Table 14 Monticello Nuclear Generating Plant Site Meteorology - Stability Class F,
Elevation 100 Meters

Frequency Distribution Tables, Hours at each Wind Speed and Direction

Period of record: 9-1-76 through 8-31-78

Wind Speed (mph) at 100 Meter Level

Direction	1 to 3	4 to 7	8 to 12	13 to 18	19 to 24	Above 24	Total
N	3	12	28	45	28	0	116
NNE	2	4	15	39	16	1	77
NE	4	7	23	49	17	1	101
ENE	1	7	19	40	6	3	76
E	4	10	26	15	3	0	58
ESE	8	16	28	31	14	2	99
SE	2	7	28	46	19	5	107
SSE	2	8	25	62	40	1	138
S	1	12	30	60	36	1	140
SSW	1	11	28	58	57	4	159
SW	3	14	19	75	33	2	146
WSW	5	6	22	28	29	0	90
W	1	14	22	27	16	0	80
WNW	4	10	44	49	27	1	135
NW	4	12	37	87	29	0	169
NNW	4	14	38	51	21	1	129
VAR	0	0	0	0	0	0	0

Total Hours This Class: 1826
Hours of Calm This Class: 6
Percent of All Data This Class: 11.03

MONTICELLO NUCLEAR GENERATING PLANT		ODCM-APP-B
TITLE:	APPENDIX B	Revision 2
		Page 18 of 20

Table 15 Monticello Nuclear Generating Plant Site Meteorology - Stability Class G,
Elevation 100 Meters

Frequency Distribution Tables, Hours at each Wind Speed and Direction

Period of record: 9-1-76 through 8-31-78

Wind Speed (mph) at 100 Meter Level

Direction	1 to 3	4 to 7	8 to 12	13 to 18	19 to 24	Above 24	Total
N	6	8	16	9	0	0	39
NNE	3	12	15	8	1	0	39
NE	4	6	11	16	4	0	41
ENE	6	11	15	11	3	1	47
E	8	7	11	11	1	0	38
ESE	1	12	9	16	2	0	40
SE	5	9	10	5	9	1	39
SSE	6	6	12	8	11	1	44
S	2	6	13	30	12	1	64
SSW	1	14	26	55	21	0	117
SW	1	9	21	26	25	3	85
WSW	5	16	29	16	14	0	80
W	3	14	8	16	18	2	61
WNW	5	15	23	21	9	0	73
NW	2	7	14	17	1	0	41
NNW	8	13	21	7	5	0	54
VAR	0	0	0	0	0	0	0

Total Hours This Class: 904
Hours of Calm This Class: 2
Percent of All Data This Class: 5.46

MONTICELLO NUCLEAR GENERATING PLANT		ODCM-APP-B
TITLE:	APPENDIX B	Revision 2
		Page 19 of 20

Table 16 Monticello Nuclear Generating Plant Site Meteorology - All Classes Combined
Elevation 100 Meters

Frequency Distribution Tables, Hours at each Wind Speed and Direction

Period of record: 9-1-76 through 8-31-78

Wind Speed (mph) at 100 Meter Level							
Direction	1 to 3	4 to 7	8 to 12	13 to 18	19 to 24	Above 24	Total
N	27	101	239	387	257	95	1106
NNE	25	94	191	259	109	20	698
NE	28	90	203	230	68	11	630
ENE	25	99	248	240	99	25	736
E	34	121	242	165	59	8	629
ESE	31	121	230	220	101	47	750
SE	33	120	240	325	160	40	918
SSE	23	135	285	385	281	54	1163
S	24	113	244	411	251	46	1089
SSW	18	148	259	425	318	103	1271
SW	25	128	233	321	191	40	938
WSW	29	117	200	205	116	22	689
W	20	107	194	196	113	24	654
WNW	30	108	301	419	232	93	1183
NW	22	97	331	709	527	173	1859
NNW	29	110	346	695	608	257	2045
VAR	0	0	0	0	0	0	0

MONTICELLO NUCLEAR GENERATING PLANT		ODCM-APP-B
TITLE:	APPENDIX B	Revision 2
		Page 20 of 20

Table 16 Monticello Nuclear Generating Plant Site Meteorology - All Classes Combined
Elevation 100 Meters (cont'd)

Frequency Distribution Tables, Hours at each Wind Speed and Direction

Period of record: 9-1-76 through 8-31-78

Data Recovery for the Period

Total Hours:	17520
Hours of Calm:	201
Hours of Bad Data:	961
Percent Data Recovery:	94.51

Percent Acceptable Observations in each Stability Class

Class A	2.95
Class B	3.64
Class C	6.29
Class D	43.87
Class E	26.77
Class F	11.03
Class G	5.46

Average Wind Speed for each Wind Category

1 to 3 MPH	2.5
4 to 7 MPH	5.8
8 to 12 MPH	10.1
13 to 18 MPH	15.4
19 to 24 MPH	20.9
Above 24 MPH	28.1

MONTICELLO NUCLEAR GENERATING PLANT		ODCM-APP-C
TITLE:	APPENDIX C	Revision 0
		Page 1 of 5

Approval: ODC 01473825

OFFSITE DOSE CALCULATION MANUAL - TABLE OF CONTENTS

<u>SECTION</u>	<u>PAGE</u>
1.0 RECORD OF REVISION	2
Table 1 Parameters for Cow and Goat Milk Pathways	3
Table 2 Parameters for the Cow Meat Pathway	4
Table 3 Parameters for the Vegetable Pathway	5

MONTICELLO NUCLEAR GENERATING PLANT		ODCM-APP-C
TITLE:	APPENDIX C	Revision 0
		Page 2 of 5

1.0 RECORD OF REVISION

<u>Revision No.</u>	<u>Date</u>	<u>Reason for Revision</u>
0	October - 2000	Moved previous ODCM-10.01 tables of parameters to this document.

MONTICELLO NUCLEAR GENERATING PLANT		ODCM-APP-C
TITLE:	APPENDIX C	Revision 0
		Page 3 of 5

Table 1 Parameters for Cow and Goat Milk Pathways

Parameter	Value	Reference in Reg. Guide 1.109 Rev. 1
Q _F (kg/day)	50 (cow) 6 (goat)	Table E-3 Table E-3
t _f (seconds)	1.73 X 10 ⁵ (2 days)	Table E-15
r	1.0 (radioiodines) 0.2 (particulates)	Table E-15 Table E-15
(DFL _i) _a (mrem/pCi)	Each radionuclide	Table E-11 to E-14
F _m (pCi/day per pCi/liter)	Each stable element	Table E-1 (cow) Table E-2 (goat)
t _b (seconds)	4.73 X 10 ⁸ (15 yr)	Table E-15
Y _s (kg/m ²)	2.0	Table E-15
Y _p (kg/m ²)	.75	Table E-15
t _h (seconds)	7.78 X 10 ⁶ (90 days)	Table E-15
U _{ap} (liters/yr)	330 infant 330 child 400 teen 310 adult	Table E-5 Table E-5 Table E-5 Table E-5
t _{ep} (seconds)	2.59 X 10 ⁶ (pasture)	Table E-15
t _{es} (seconds)	5.18 X 10 ⁶ (stored feed)	Table E-15
B _{iv} (pCi/kg (wet weight) per pCi/kg (dry soil))	Each stable element	Table E-1
P (kg dry soil/m ²)	240	Table E-15

MONTICELLO NUCLEAR GENERATING PLANT		ODCM-APP-C
TITLE:	APPENDIX C	Revision 0
		Page 4 of 5

Table 2 Parameters for the Cow Meat Pathway

Parameter	Value	Reference in Reg. Guide 1.109 Rev. 1
r	1.0 (radioiodines) 0.2 (particulates)	Table E-15 Table E-15
F _f (pCi/kg per pCi/day)	Each stable element	Table E-1
U _{ap} (kg/yr)	0 infant 41 child 65 teen 110 adult	Table E-5 Table E-5 Table E-5 Table E-5
(DFL _i) _a (mrem/pCi)	Each radionuclide	Table E-11 to E-14
Y _p (kg/m ²)	0.7	Table E-15
Y _s (kg/m ²)	2.0	Table E-15
t _b (seconds)	4.73 X 10 ⁸ (15 yr)	Table E-15
t _s (seconds)	1.73 X 10 ⁶ (20 days)	Table E-15
t _h (seconds)	7.78 X 10 ⁶ (90 days)	Table E-15
t _{ep} (seconds)	2.59 X 10 ⁶ (pasture)	Table E-15
t _{es} (seconds)	5.18 X 10 ⁶ (stored feed)	Table E-15
Q _F (kg/day)	50	Table E-3
B _{iv} (pCi/kg (wet weight) per pCi/kg (dry soil))	Each stable element	Table E-1
P (kg dry soil/m ²)	240	Table E-15

Table 3 Parameters for the Vegetable Pathway

Parameter	Value	Reference in Reg. Guide 1.109 Rev. 1
r (dimensionless)	1.0 (radioiodines) 0.2 (particulates)	Table E-1 Table E-1
(DFL _i) _a (mrem/Ci)	Each radionuclide	Tables E-11 to E-14
U ^L _a (kg/yr)	0 Infant 26 Child 42 Teen 64 Adult	Table E-5 Table E-5 Table E-5 Table E-5
U ^S _a (kg/yr)	0 Infant 520 Child 630 Teen 520 Adult	Table E-5 Table E-5 Table E-5 Table E-5
t _L (seconds)	8.6 X 10 ⁴ (1 day)	Table E-15
t _h (seconds)	5.18 X 10 ⁶ (60 days)	Table E-15
Y _v (kg/m ²)	2.0	Table E-15
t _e (seconds)	5.18 X 10 ⁶ (60 days)	Table E-15
t _b (seconds)	4.73 X 10 ⁸ (15 yr)	Table E-15
P (kg/(dry soil)/m ²)	240	Table E-15
B _{iv} (pCi/kg(wet weight) per pCi/kg (dry soil))	Each stable element	Table E-1

MONTICELLO NUCLEAR GENERATING PLANT		ODCM-HISTORY
TITLE:	ODCM - HISTORY	Revision 0
		Page 1 of 1

Approval: ODC 01473826

RECORD OF REVISION

<u>Revision No.</u>	<u>Date</u>	<u>Reason for Revision</u>
0	May 2, 1979	Original.
1	February 29, 1980	Incorporation of NRC Staff comments and correction of miscellaneous errors.
2	July 23, 1982	Incorporation of NRC Staff comments, addition of short term vent dispersion parameters, and addition of Appendices D and E.
3	March 24, 1983	Change in milk sampling location.
4	December 12, 1983	Change in milk sampling locations and remove formula for converting $\mu\text{Ci}/\text{sec}$ to mrad/hr for stack and vent wide range gas monitors.
5	March 27, 1984	Change Table 3.2-1
6	January - 1988	Incorporation of MIDAS and complete retyping.
7	January - 1990	Incorporation of NRC staff comments, correction of miscellaneous errors, clarification of term abnormal release and addition of references to MNGP ODCM computer program.
0	November - 1993	Complete rewrite of ODCM creating modular format allowing changes of a section rather than the whole document.

“Record of Revision” is now incorporated into each individual procedure.