



169.00 REF.

176.75 MAX. REF.

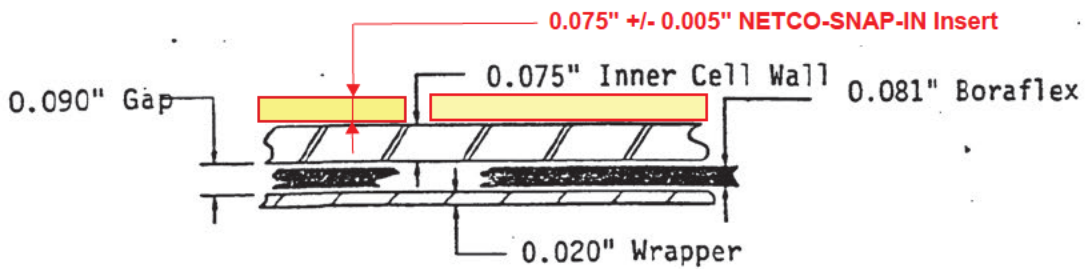
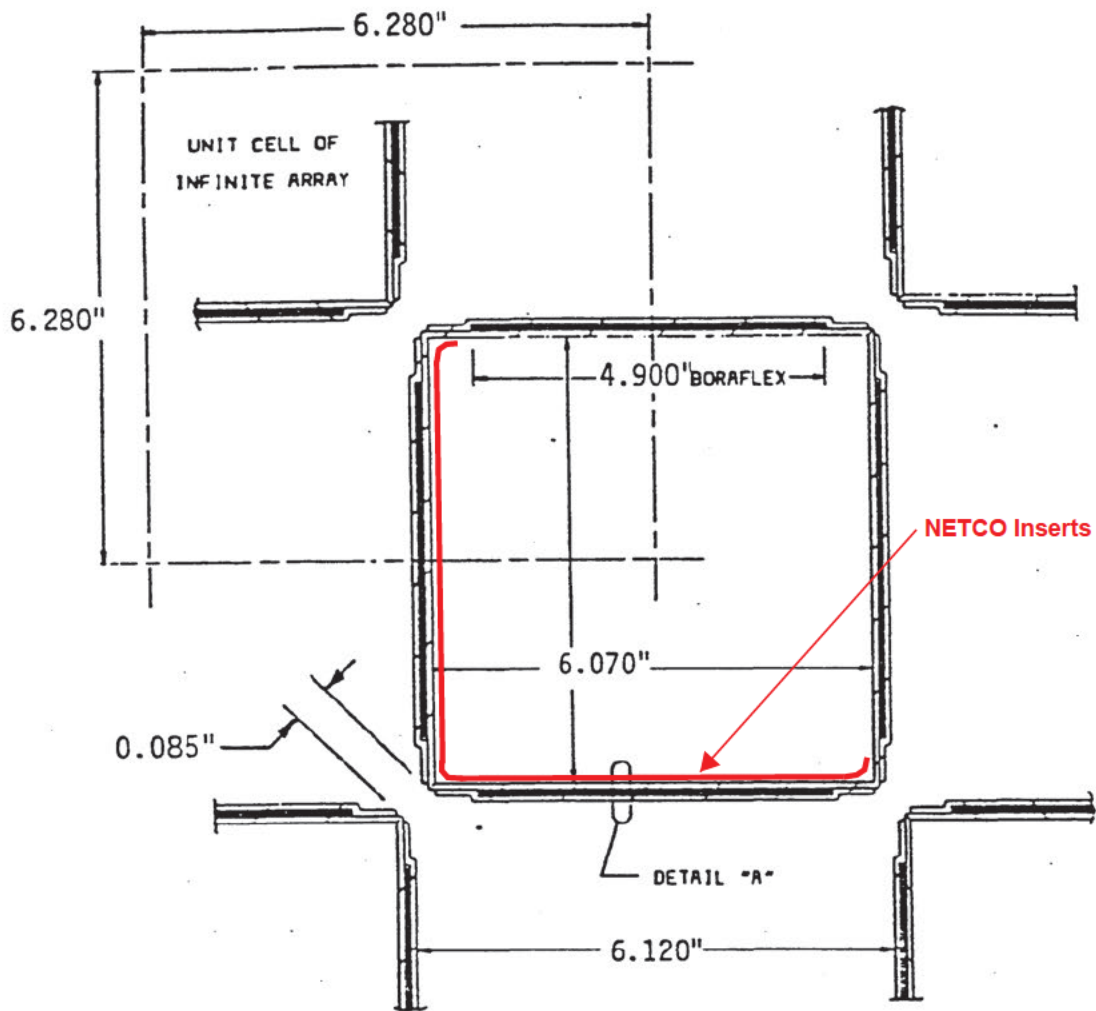
7.25 MAX. REF.

PHILADELPHIA ELECTRIC COMPANY
PEACH BOTTOM ATOMIC POWER STATION
UNITS 2 AND 3
UPDATED FINAL SAFETY ANALYSIS REPORT

RACK ASSEMBLY

FIGURE 10.3.1

REV. 10 01/92



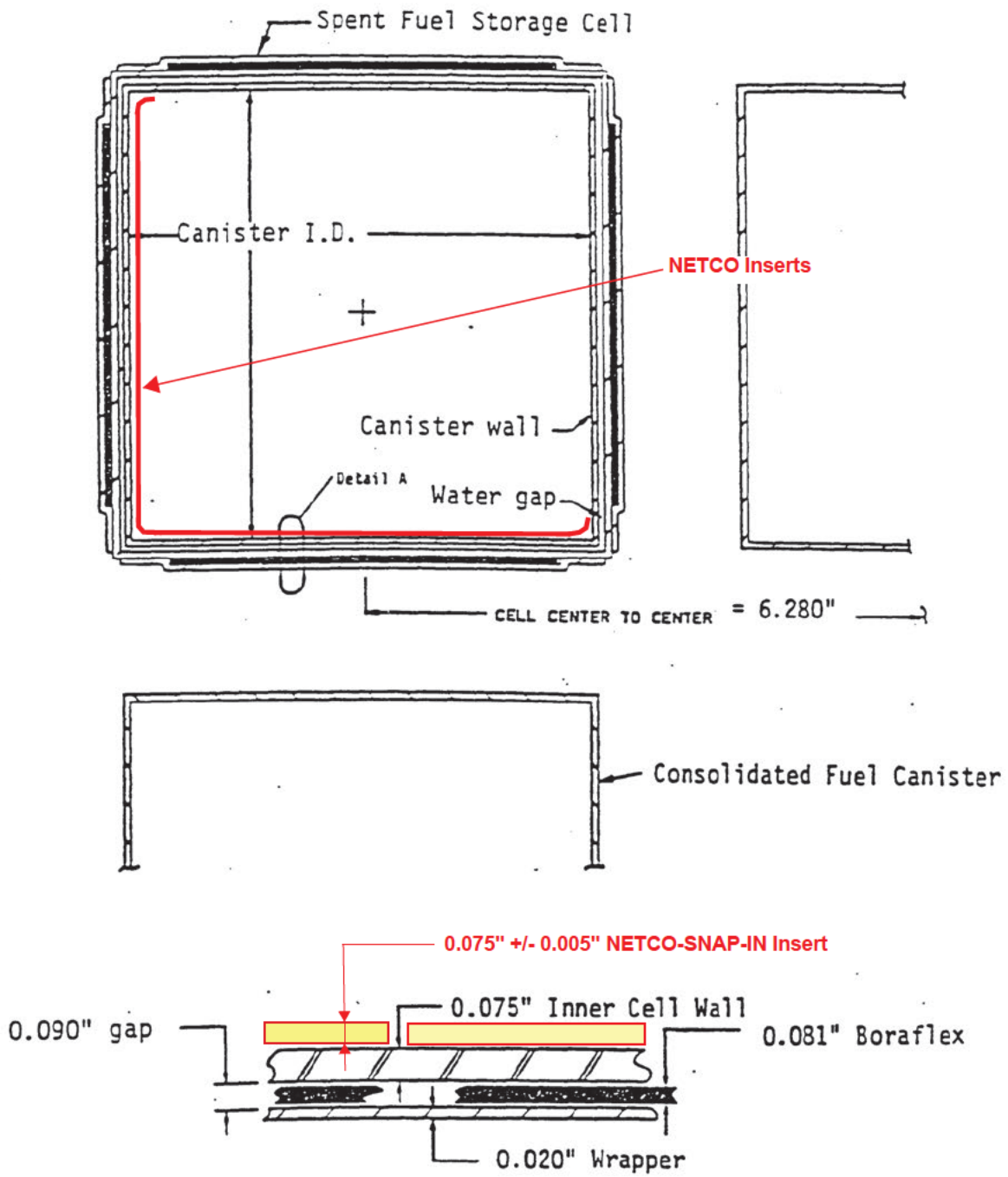
DETAIL "A"

PEACH BOTTOM ATOMIC POWER STATION
 UNITS 2 AND 3
 UPDATED FINAL SAFETY ANALYSIS REPORT

SPENT FUEL STORAGE CELL
 NOMINAL DIMENSIONS

FIGURE 10.3.2

REV. 25 04/15



DETAIL "A"

PEACH BOTTOM ATOMIC POWER STATION
 UNITS 2 AND 3
 UPDATED FINAL SAFETY ANALYSIS REPORT

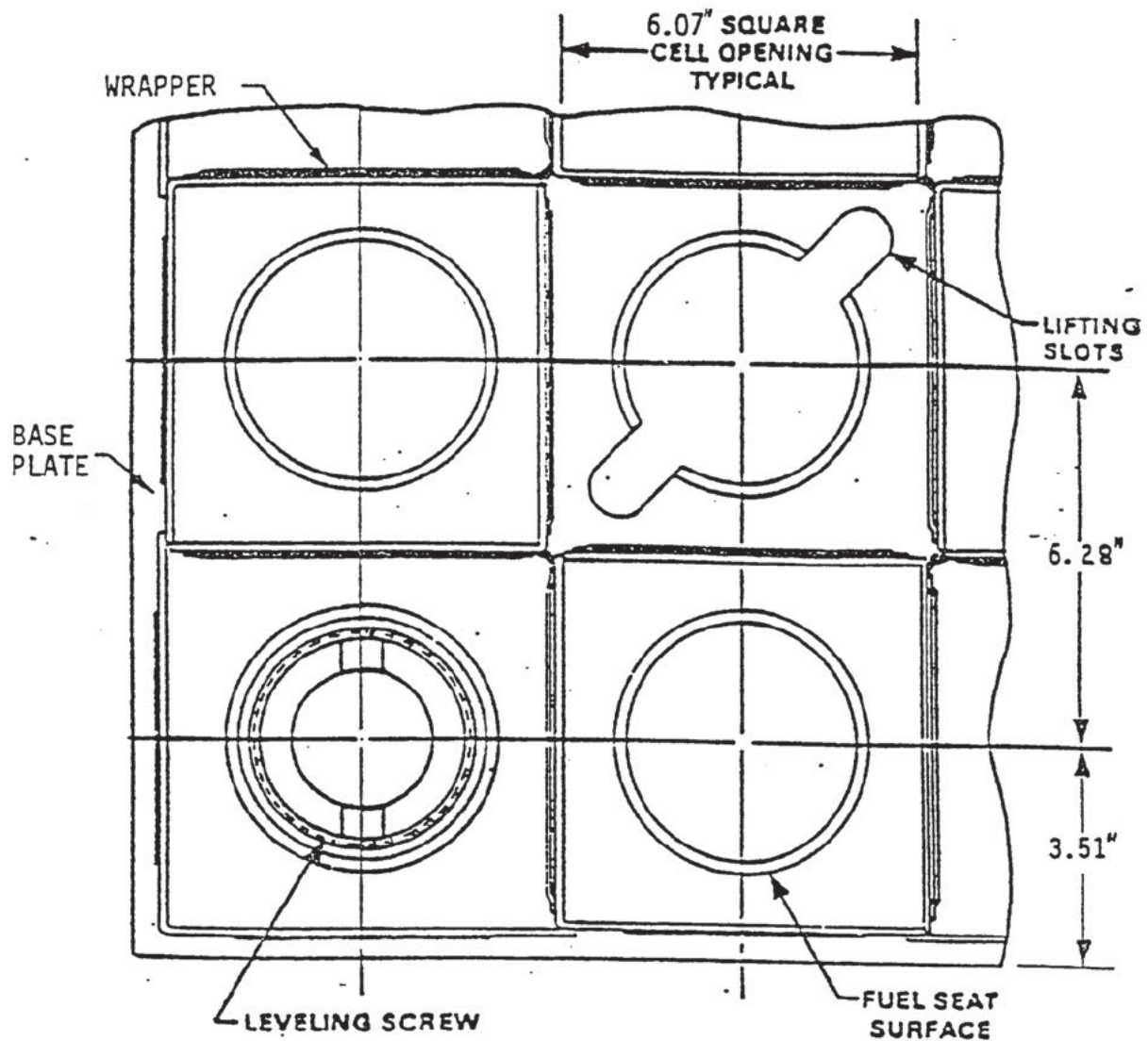
CONSOLIDATED FUEL CANISTER
 ARRANGEMENT

FIGURE 10.3.3

REV. 25 04/15

Security-Related Information Withheld under 10 CFR 2.390

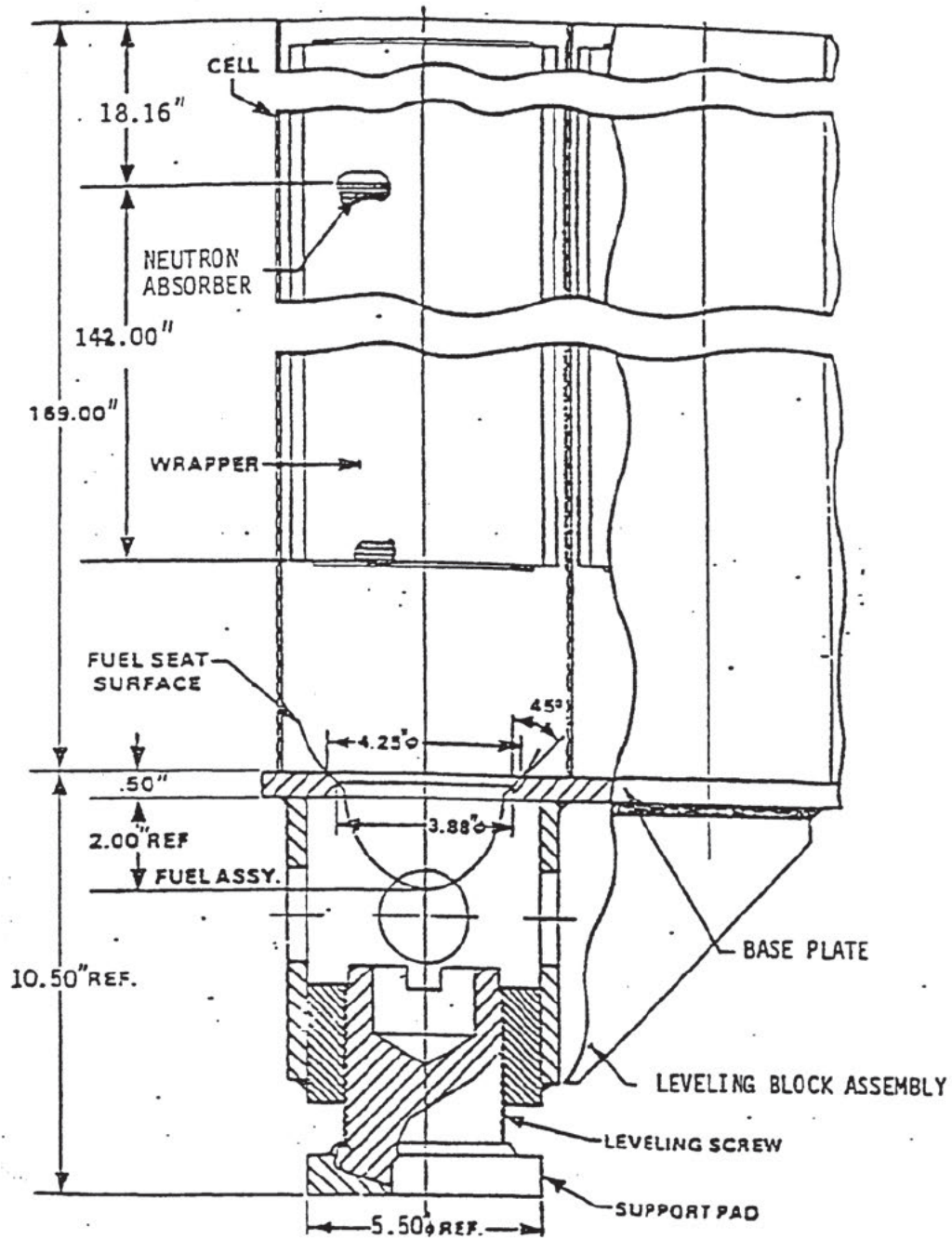
Security-Related Information Withheld under 10 CFR 2.390



PHILADELPHIA ELECTRIC COMPANY
 PEACH BOTTOM ATOMIC POWER STATION
 UNITS 2 AND 3
 UPDATED FINAL SAFETY ANALYSIS REPORT

FUEL RACK
 PLAN VIEW

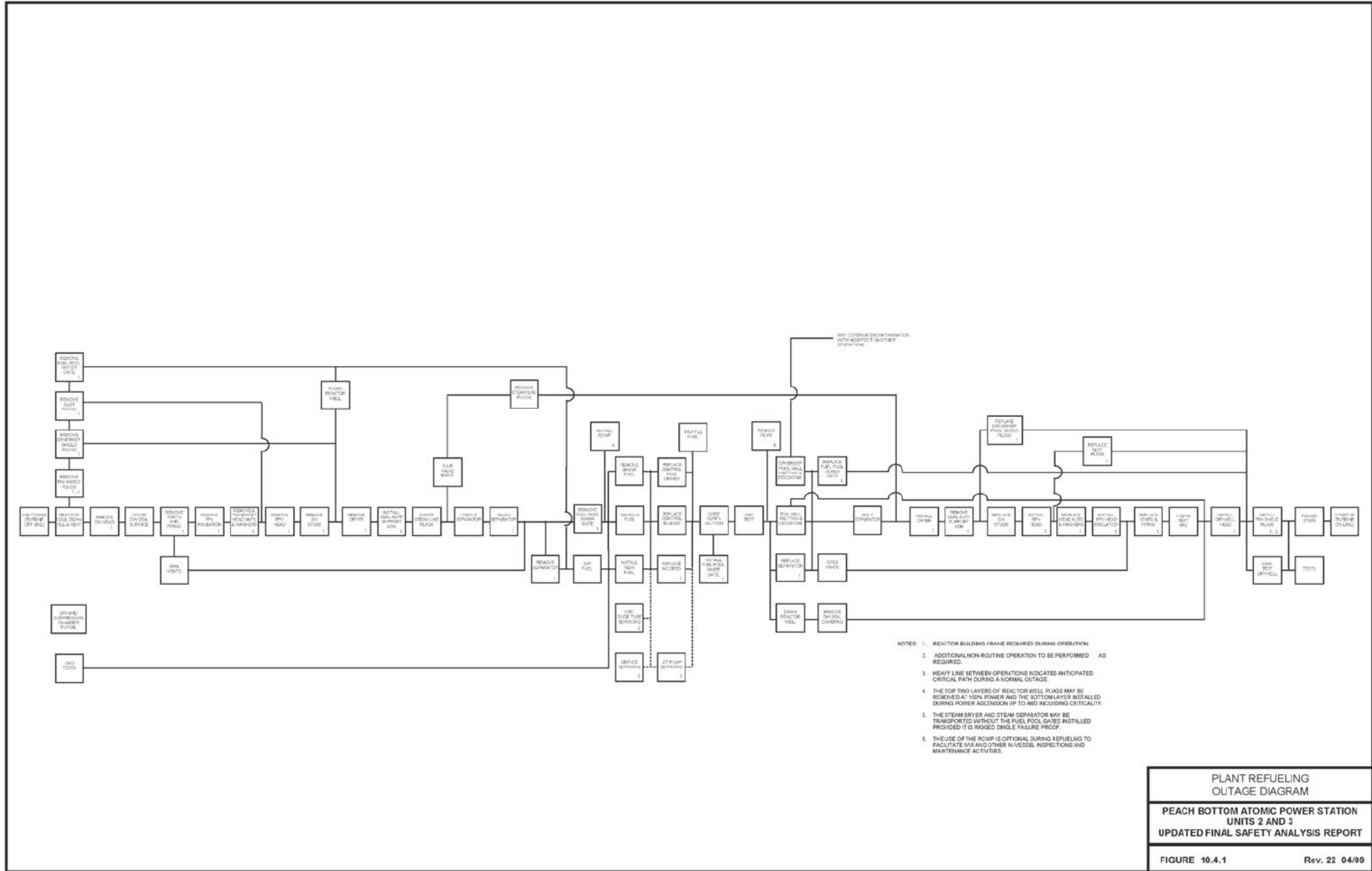
FIGURE 10.3.6 REV. 10 01/92



PHILADELPHIA ELECTRIC COMPANY
 PEACH BOTTOM ATOMIC POWER STATION
 UNITS 2 AND 3
 UPDATED FINAL SAFETY ANALYSIS REPORT

**FUEL STORAGE RACK
 ASSEMBLY DETAILS**

FIGURE 10.3.7 REV.10 01/92



- NOTES:
1. REACTOR BUILDING CRANE REQUIRED DURING OPERATION.
 2. ADDITIONAL NON-ROUTINE OPERATION TO BE PERFORMED AS REQUIRED.
 3. HEAVY LINE BETWEEN OPERATIONS INDICATES ANTICIPATED CRITICAL PATH DURING A NORMAL OUTAGE.
 4. THE TOP TWO LAYERS OF REACTOR WELL PLUGS MAY BE REMOVED AT 100% POWER AND THE BOTTOM LAYER INSTALLED DURING POWER ASCENSION UP TO AND INCLUDING CRITICALITY.
 5. THE STEAM DRYER AND STEAM SEPARATOR MAY BE TRANSPORTED WITHOUT THE FUEL POOL GATES INSTALLED PROVIDED IT IS RIGGED SINGLE FAILURE PROOF.
 6. THE USE OF THE RCWP IS OPTIONAL DURING REFUELING TO FACILITATE IN AND OTHER IN-VESSSEL INSPECTIONS AND MAINTENANCE ACTIVITIES.

Security-Related Information Withheld under 10 CFR 2.390

Security-Related Information Withheld under 10 CFR 2.390

Figure 10.6.1

Deleted

Figure 10.7.1

Deleted

Figure 10.8.1

Deleted

Figure 10.10.1

Deleted

Figure 10.11.1

Deleted

Figure 10.12.1a thru 10.12.1b

Deleted

Figure 10.13.1 thru 10.13.2

Deleted

Figure 10.14.1 thru 10.14.2

Deleted

Figure 10.15.1 thru 10.15.2

Deleted

Figure 10.16.1 thru 10.16.2

Deleted

Figure 10.17.1

Deleted

Figure 10.23.1

Deleted

Figure 10.24.1

Deleted

Figure 10.24.2
Deleted

Figure 10.24.3
Deleted

Security-Related Information Withheld under 10 CFR 2.390