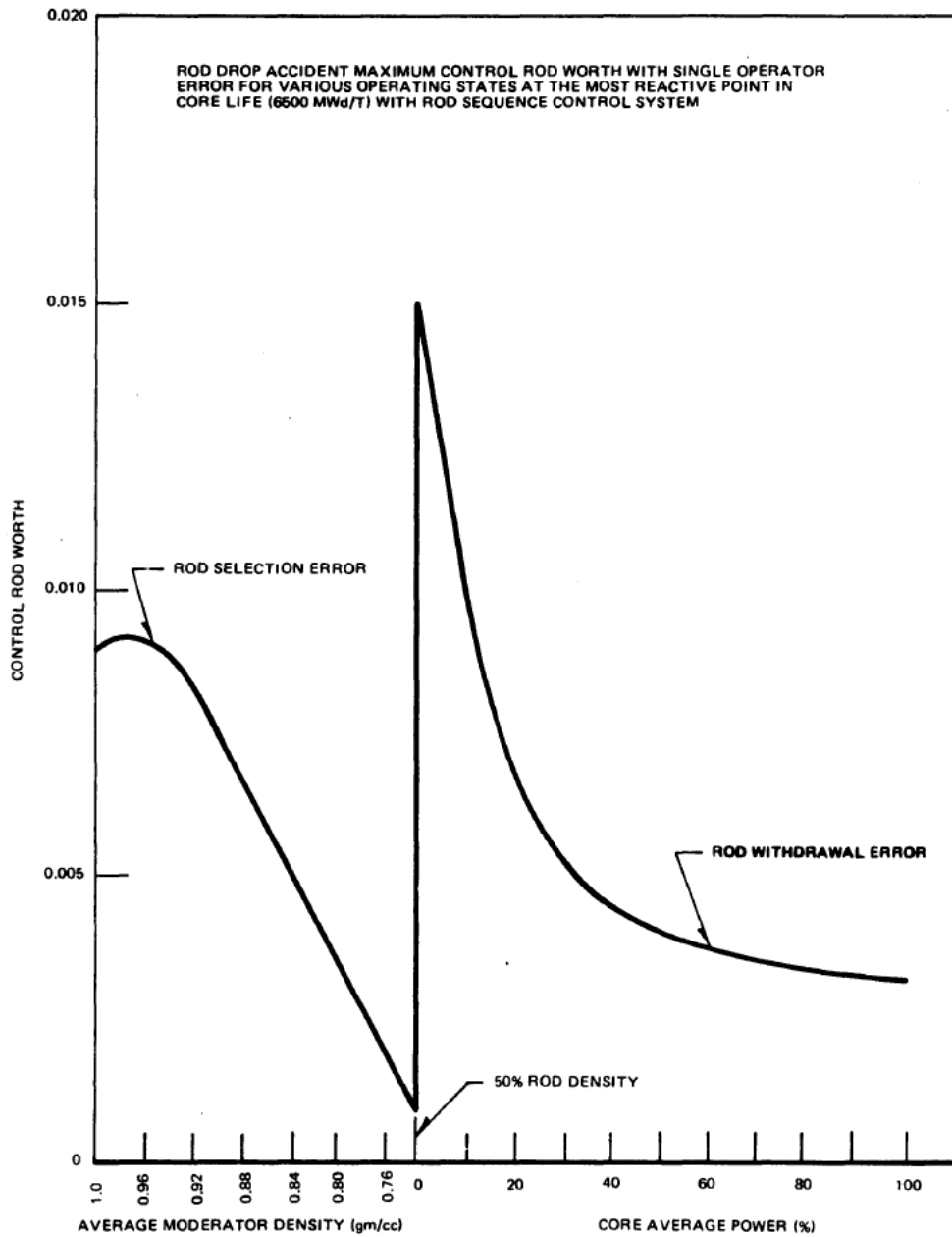


**PHILADELPHIA ELECTRIC COMPANY
PEACH BOTTOM ATOMIC POWER STATION
UNITS 2 AND 3
UPDATED FINAL SAFETY ANALYSIS REPORT**

**ROD DROP ACCIDENT MAXIMUM
CONTROL ROD WORTH WITH SINGLE
OPERATOR ERROR AT BOL WITH RSCS**

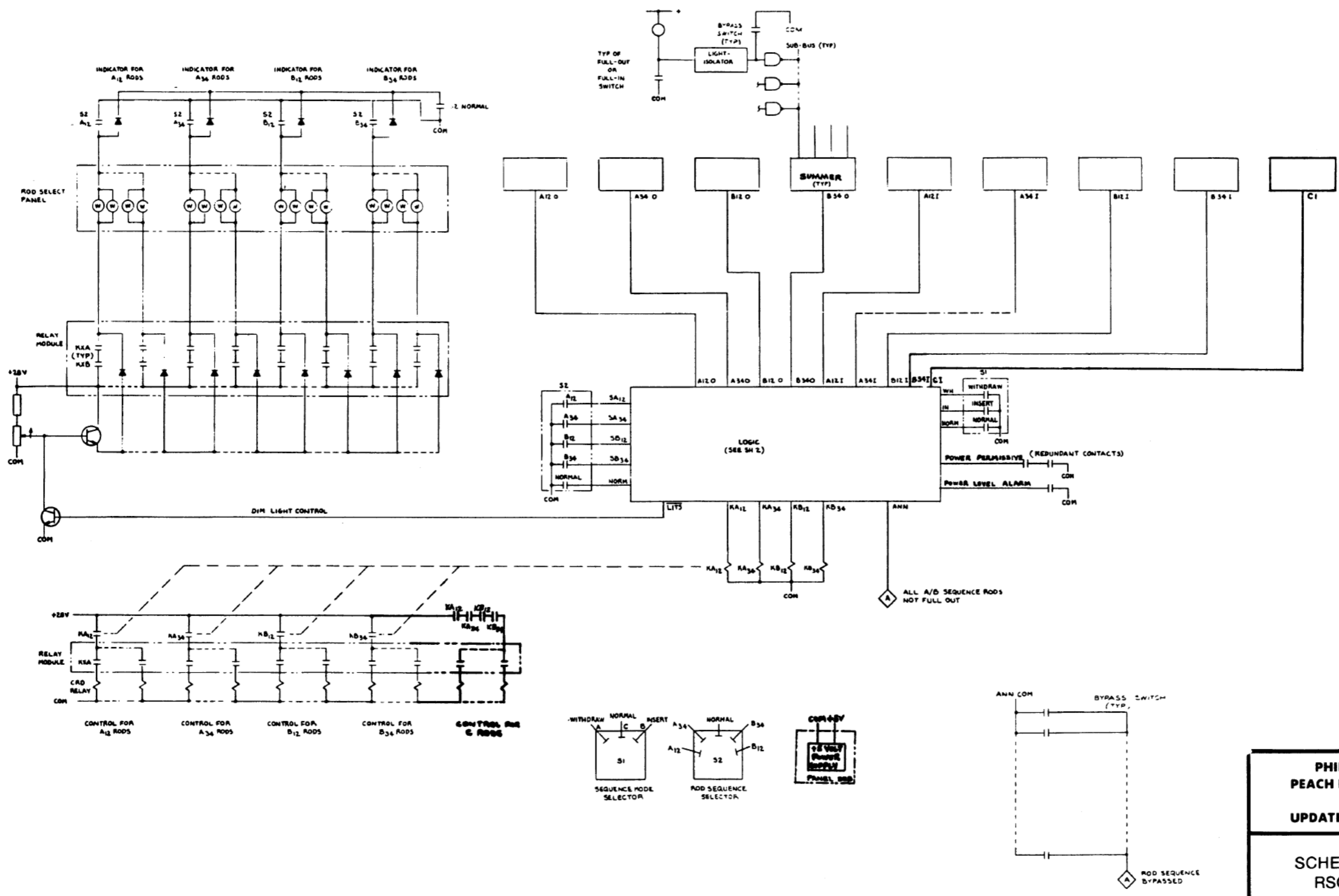
FIGURE J.4.1



**PHILADELPHIA ELECTRIC COMPANY
PEACH BOTTOM ATOMIC POWER STATION
UNITS 2 AND 3
UPDATED FINAL SAFETY ANALYSIS REPORT**

ROD DROP ACCIDENT MAXIMUM CONTROL
ROD WORTH WITH SINGLE OPERATOR
ERROR AT MOST REACTIVE POINT IN
CORE LIFE (6500 MWd/T) WITH RSCS

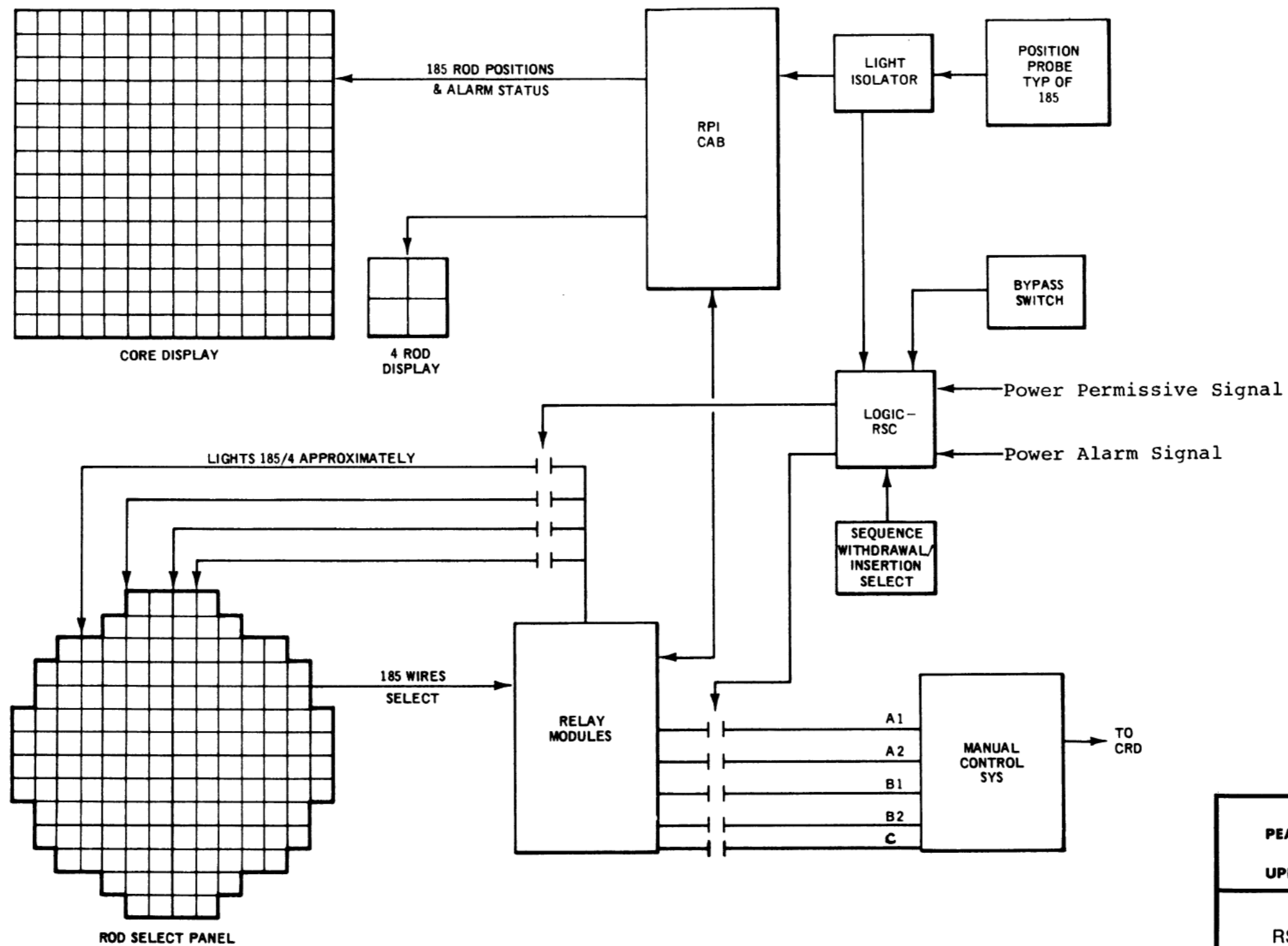
FIGURE J.4.2



PHILADELPHIA ELECTRIC COMPANY
 PEACH BOTTOM ATOMIC POWER STATION
 UNITS 2 AND 3
 UPDATED FINAL SAFETY ANALYSIS REPORT

SCHMATIC BLOCK DIAGRAM OF
 RSCS FOR CORE EXPOSURE
 < 6500 MWd/T

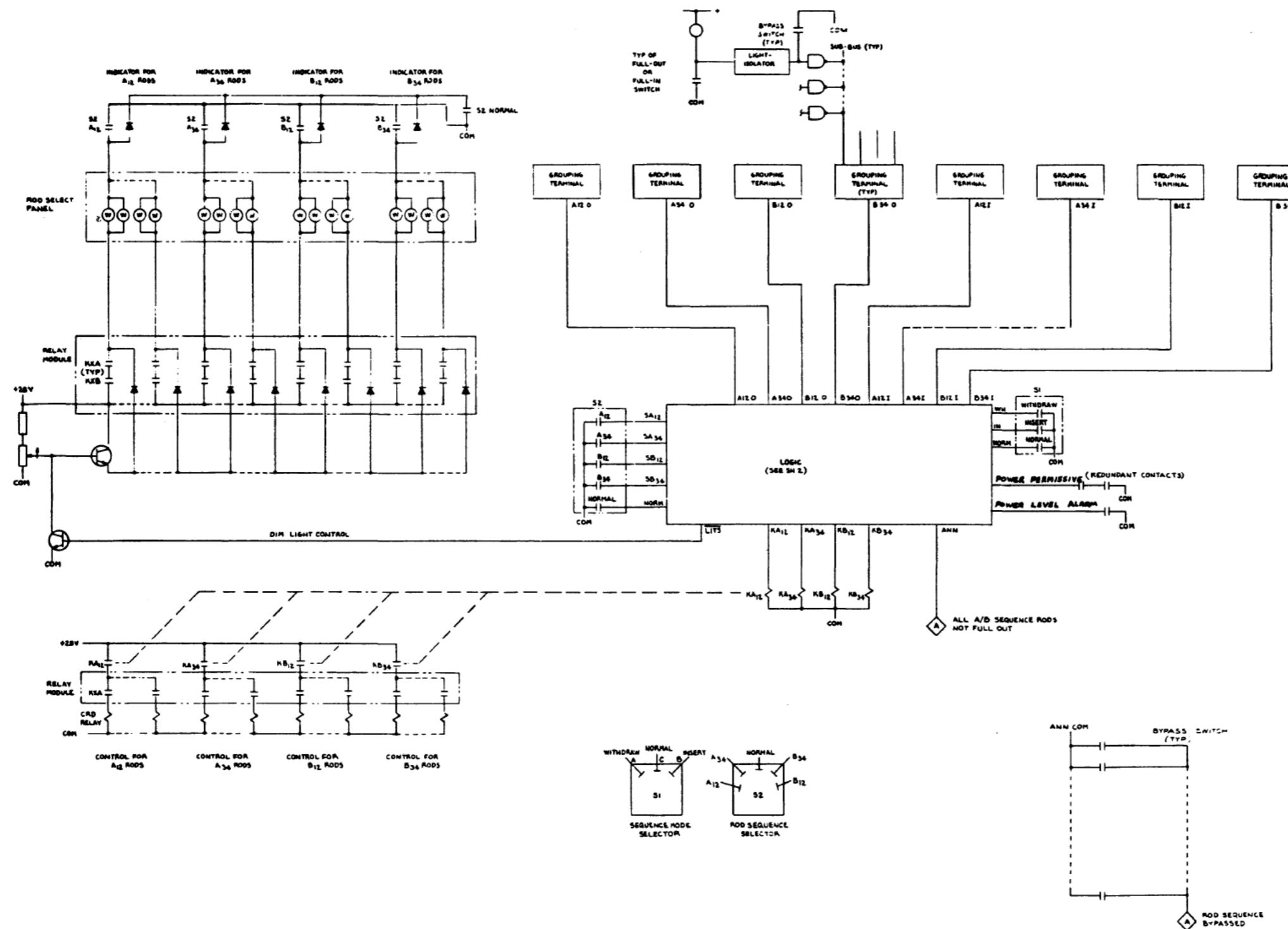
FIGURE J.4.3a



PHILADELPHIA ELECTRIC COMPANY
 PEACH BOTTOM ATOMIC POWER STATION
 UNITS 2 AND 3
 UPDATED FINAL SAFETY ANALYSIS REPORT

RSCS BLOCK DIAGRAM FOR CORE
 EXPOSURE <math>< 6500 \text{ MWd/T}</math>

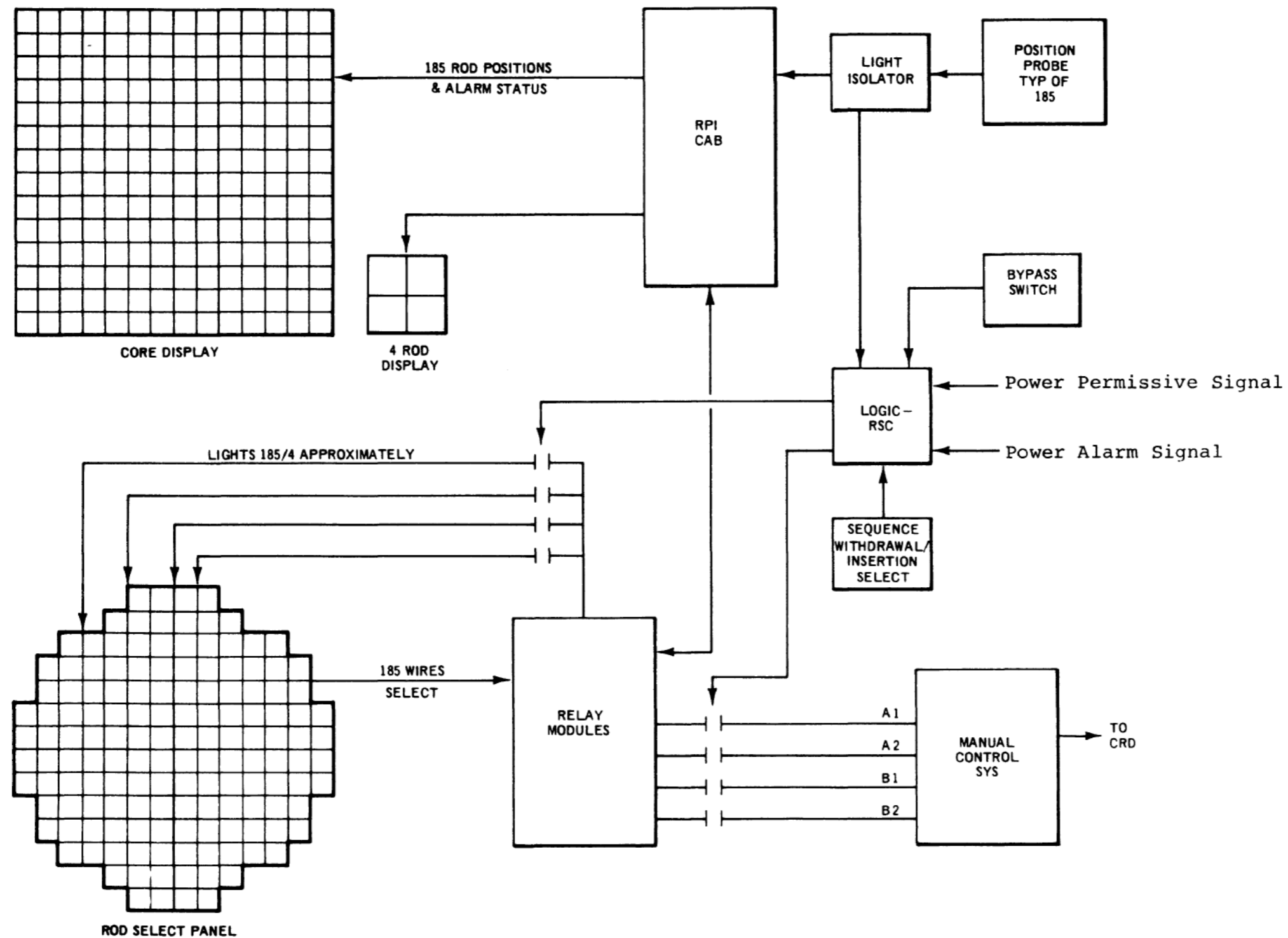
FIGURE J.4.3b



PHILADELPHIA ELECTRIC COMPANY
 PEACH BOTTOM ATOMIC POWER STATION
 UNITS 2 AND 3
 UPDATED FINAL SAFETY ANALYSIS REPORT

SCHEMATIC BLOCK DIAGRAM OF
 RSCS FOR CORE EXPOSURE
 >6500 MWd/T

FIGURE J.4.4a



PHILADELPHIA ELECTRIC COMPANY
 PEACH BOTTOM ATOMIC POWER STATION
 UNITS 2 AND 3
 UPDATED FINAL SAFETY ANALYSIS REPORT

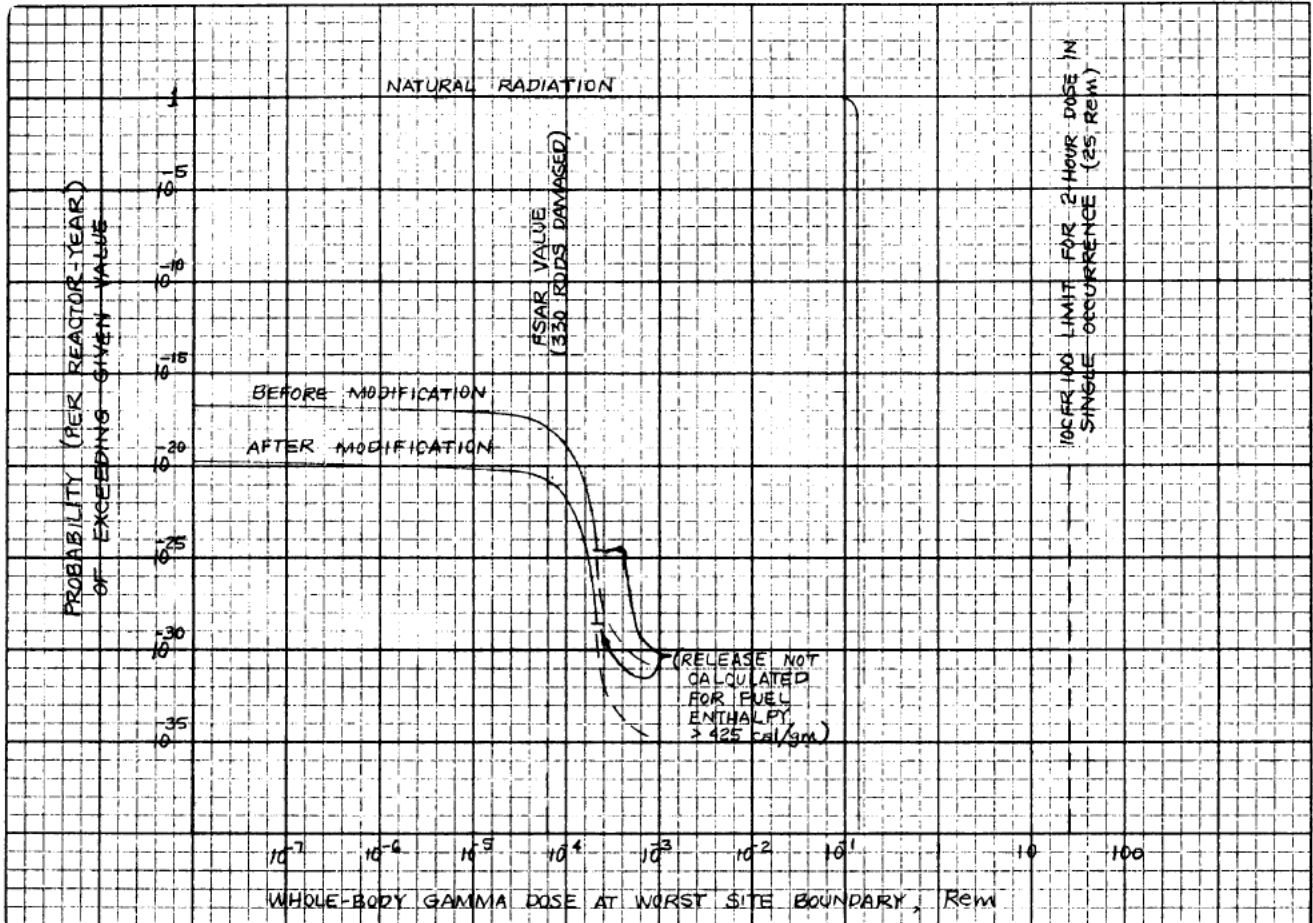
RSCS BLOCK DIAGRAM FOR CORE
 EXPOSURE > 6500 MWd/T

FIGURE J.4.4b

Security-Related Information Withheld under 10 CFR 2.390

Security-Related Information Withheld under 10 CFR 2.390

Security-Related Information Withheld under 10 CFR 2.390



**PHILADELPHIA ELECTRIC COMPANY
PEACH BOTTOM ATOMIC POWER STATION
UNITS 2 AND 3
UPDATED FINAL SAFETY ANALYSIS REPORT**

**OFF-SITE EFFECT OF ROD DROP
ACCIDENT**

FIGURE J.4.8