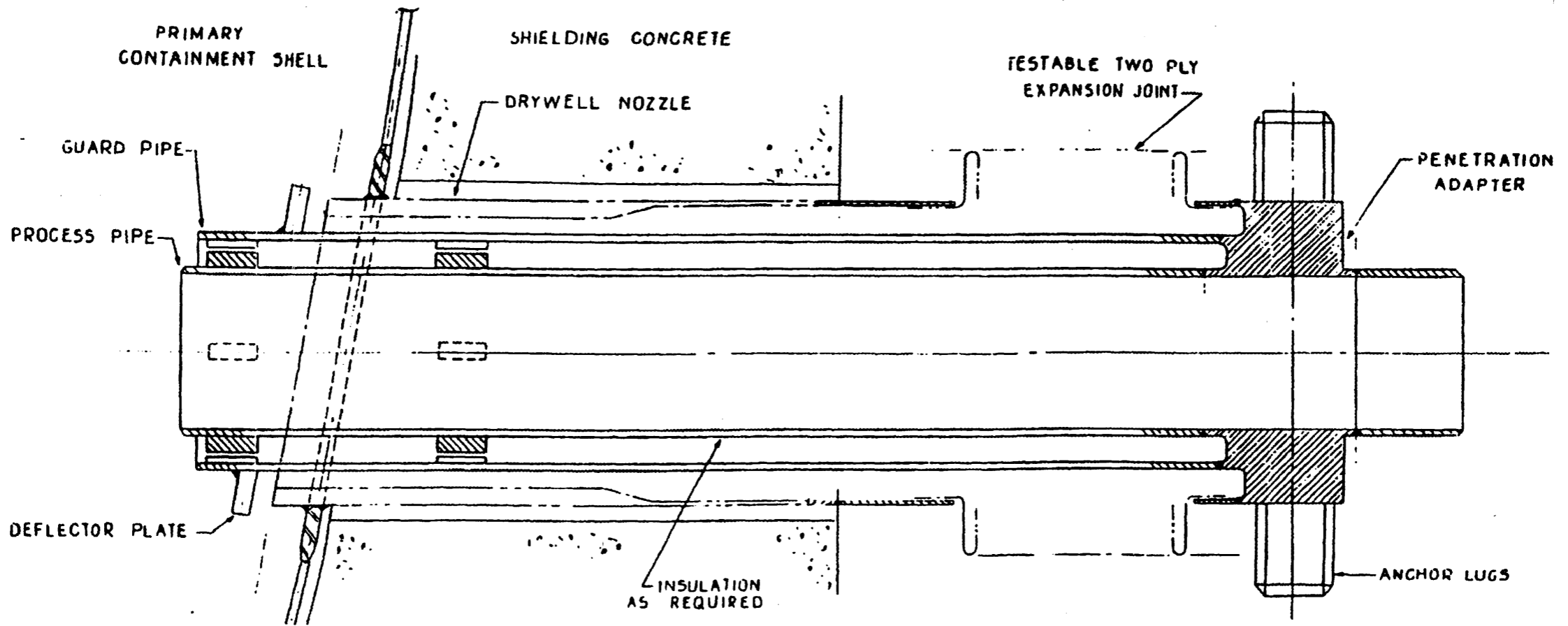


Security-Related Information Withheld under 10 CFR 2.390

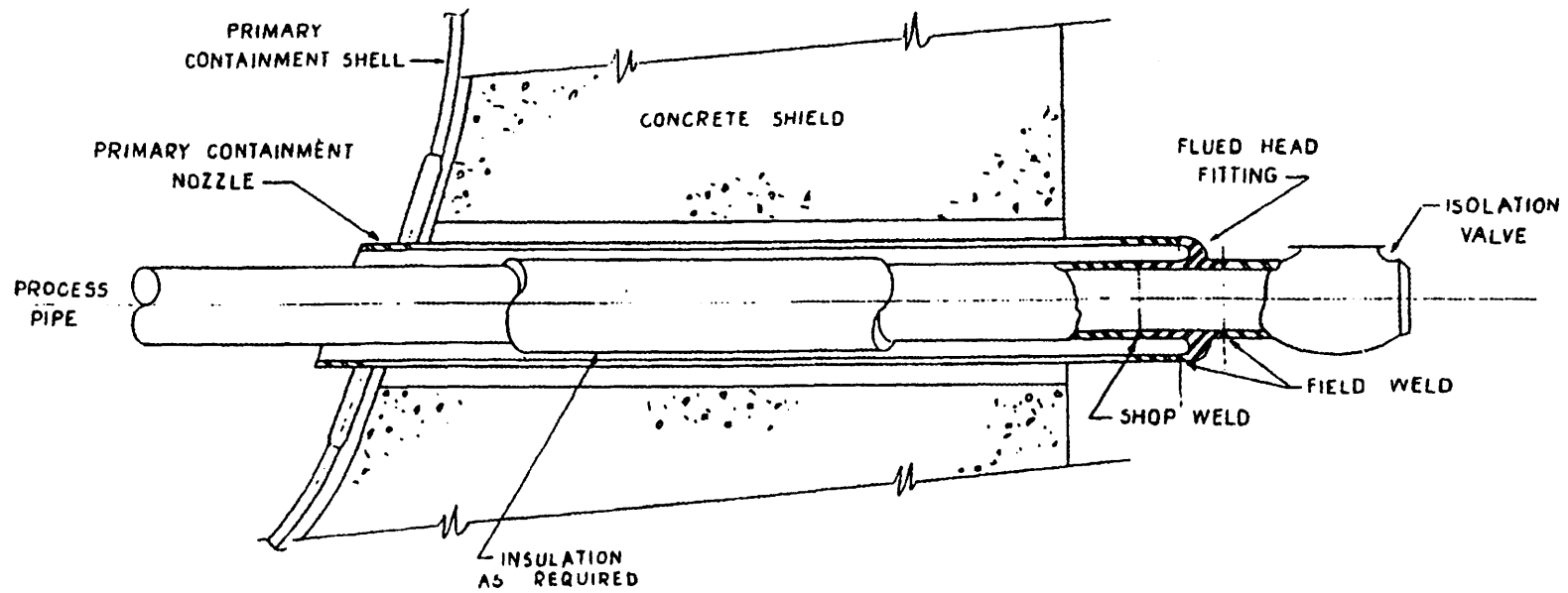


PEACH BOTTOM ATOMIC POWER STATION
 UNITS 2 AND 3
 UPDATED FINAL SAFETY ANALYSIS

PRIMARY CONTAINMENT PROCESS LINE
 PENETRATION - TYPE 2

FIGURE 5.2.2

Rev. 19 04/03

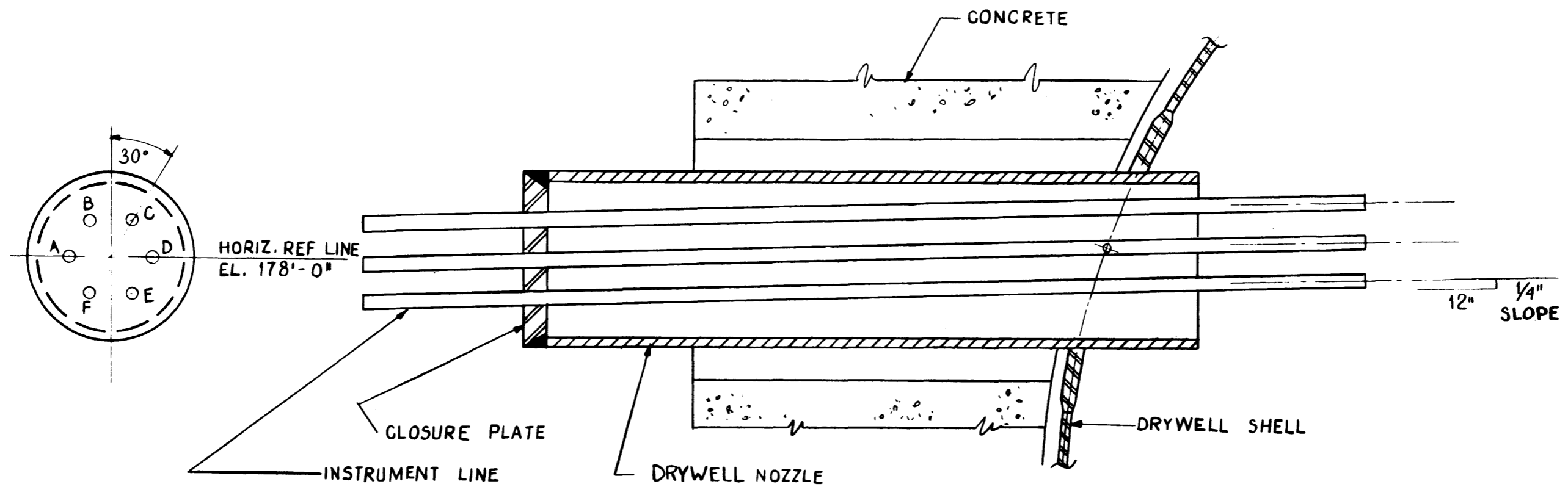


PEACH BOTTOM ATOMIC POWER STATION
 UNITS 2 AND 3
 UPDATED FINAL SAFETY ANALYSIS

PRIMARY CONTAINMENT PROCESS LINE
 PENETRATION - TYPE 3

FIGURE 5.2.3

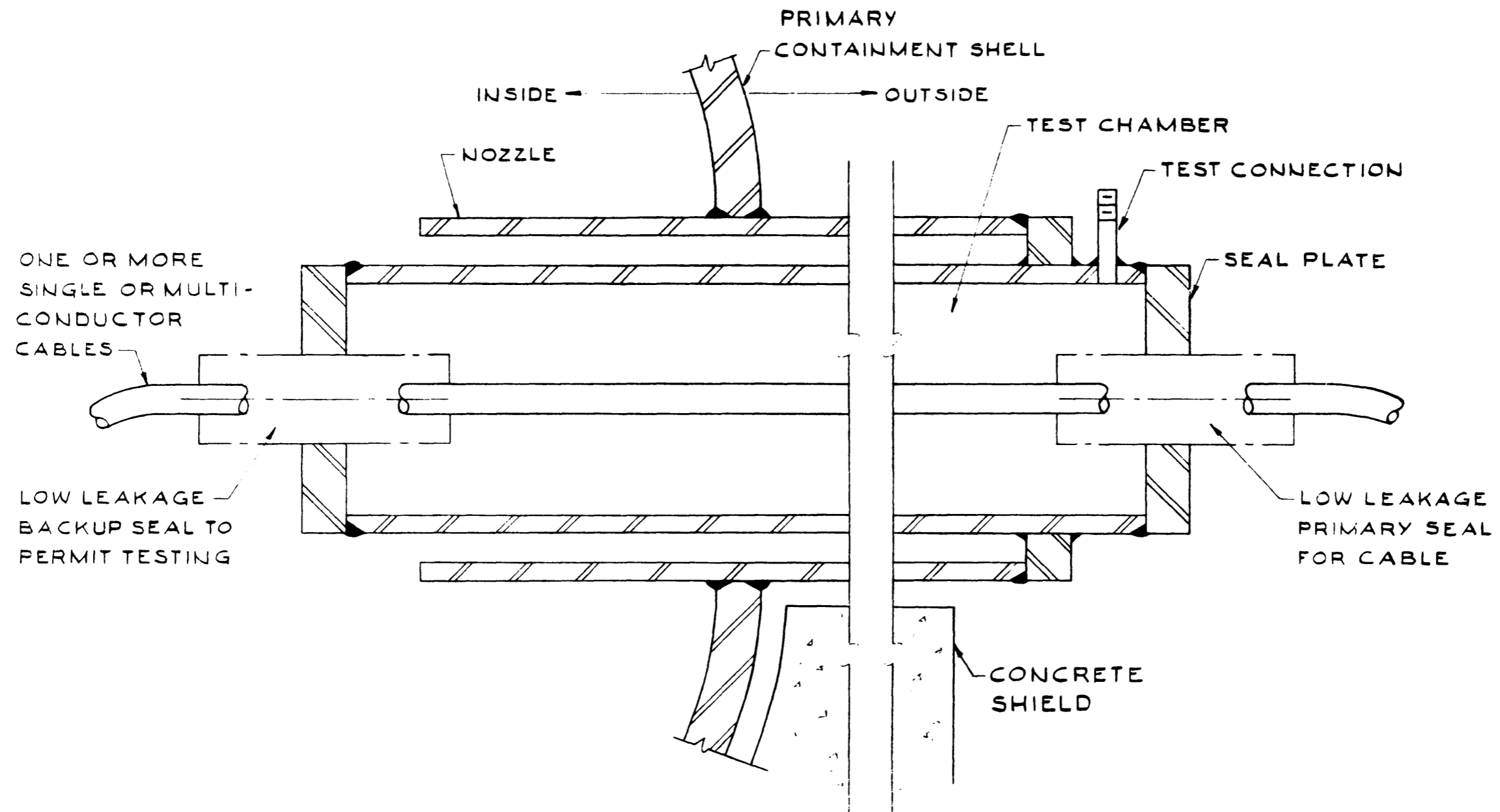
Rev. 19 04/03



PHILADELPHIA ELECTRIC COMPANY
 PEACH BOTTOM ATOMIC POWER STATION
 UNITS 2 AND 3
 UPDATED FINAL SAFETY ANALYSIS REPORT

PRIMARY CONTAINMENT INSTRUMENT
 LINE PENETRATION

FIGURE 5.2.4



NOTES

- 1) NOT TO SCALE
- 2) TYPICAL FOR POWER, CONTROL AND INSTRUMENTATION CABLE PENETRATIONS

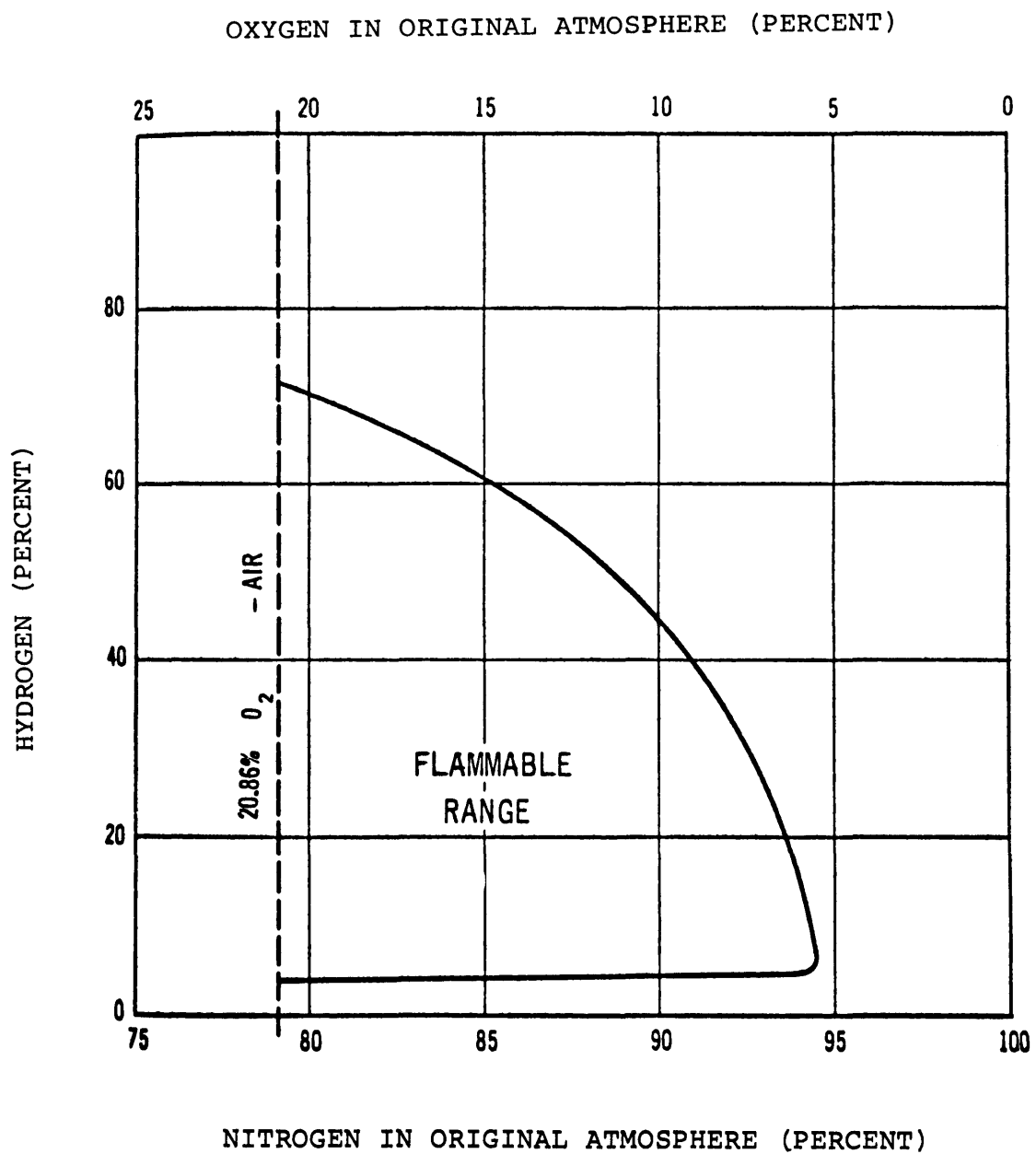
PHILADELPHIA ELECTRIC COMPANY
 PEACH BOTTOM ATOMIC POWER STATION
 UNITS 2 AND 3
 UPDATED FINAL SAFETY ANALYSIS REPORT

PRIMARY CONTAINMENT ELECTRICAL
 PENETRATION

FIGURE 5.2.5

Figure 5.2.6 thru 5.2.7

Deleted



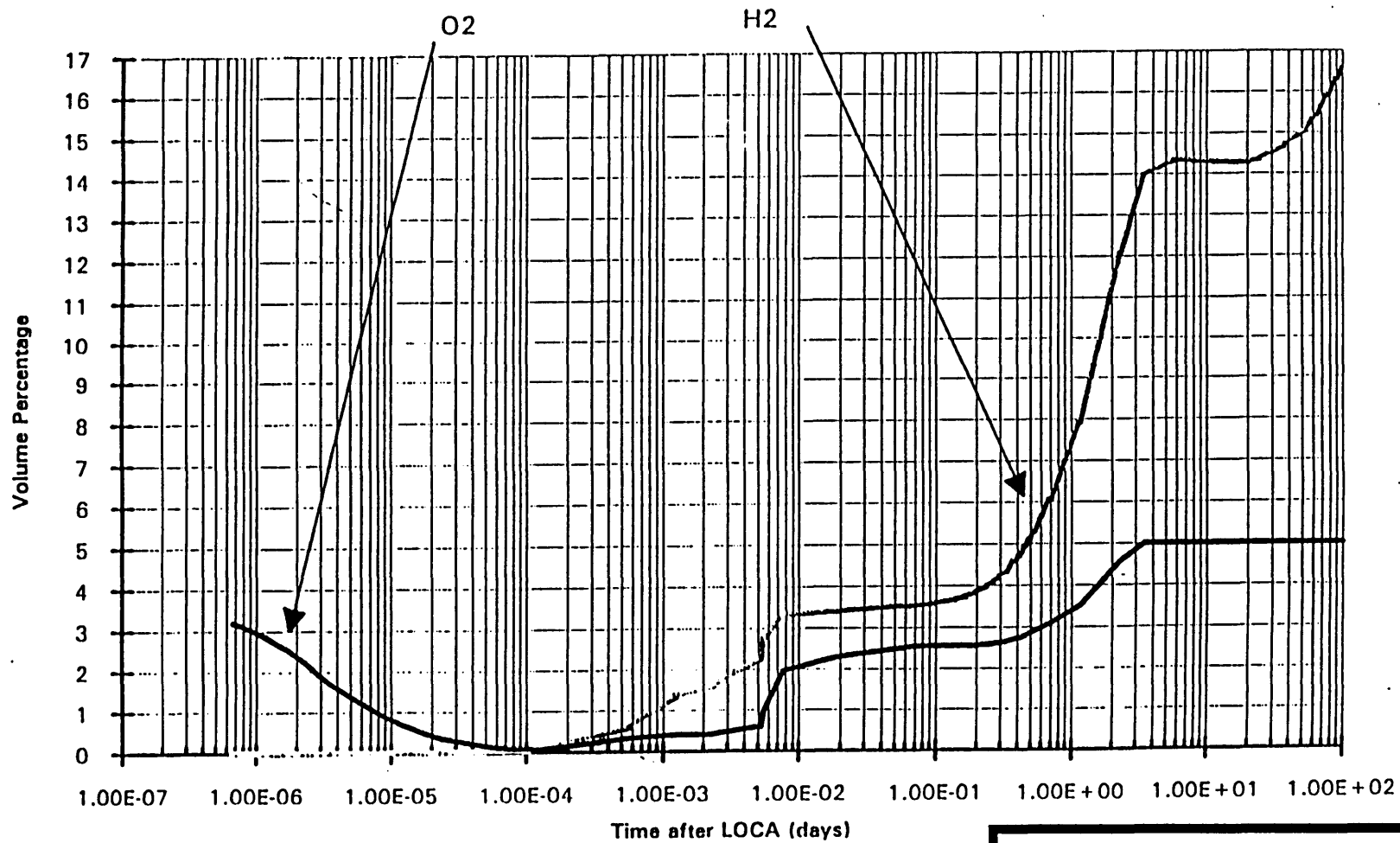
**PHILADELPHIA ELECTRIC COMPANY
PEACH BOTTOM ATOMIC POWER STATION
UNITS 2 AND 3
UPDATED FINAL SAFETY ANALYSIS REPORT**

HYDROGEN FLAMMABILITY LIMITS

FIGURE 5.2.8

Figure 5.2.9 thru 5.2.11B

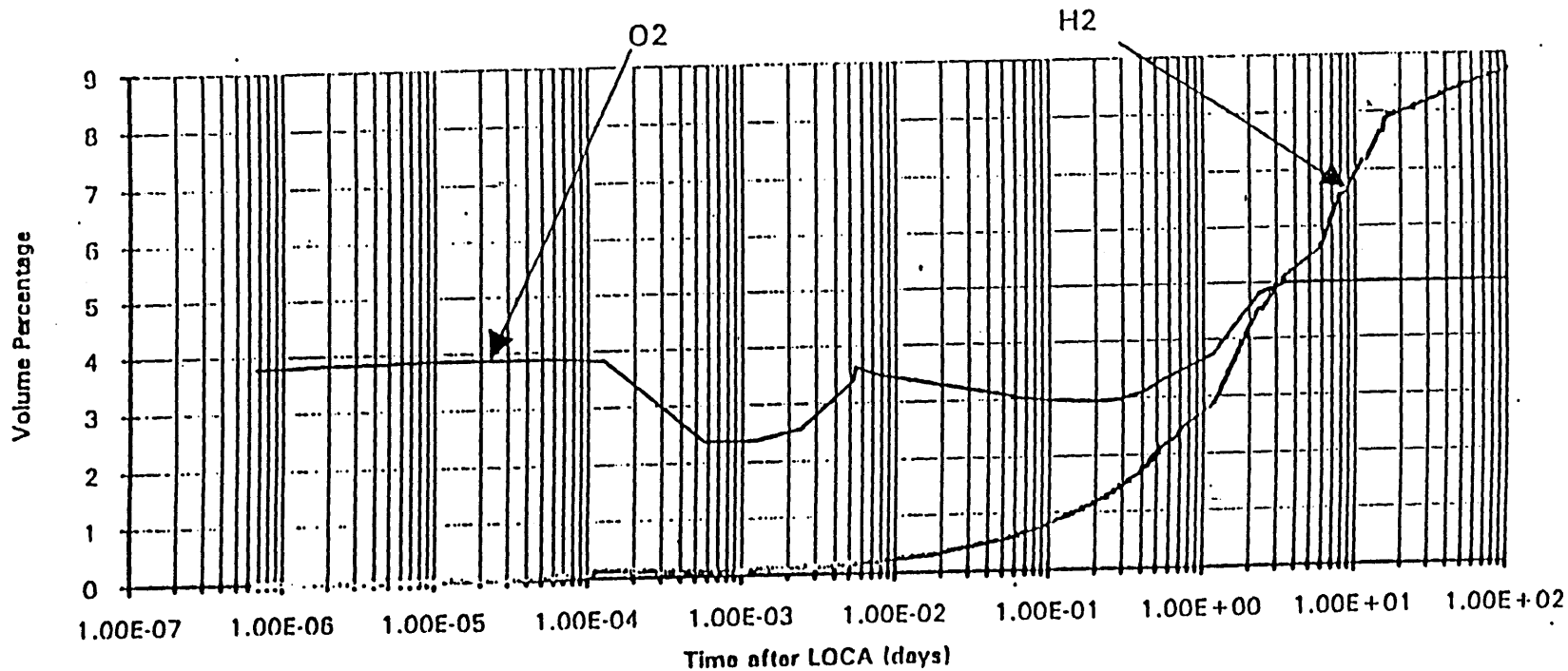
Deleted



PHILADELPHIA ELECTRIC COMPANY
 PEACH BOTTOM ATOMIC POWER STATION
 UNITS 2 AND 3
 UPDATED FINAL SAFETY ANALYSIS REPORT

DRYWELL O₂ AND H₂ CONCENTRATIONS
 FOLLOWING A LOCA -
 REGULATORY GUIDE 1.7 ANALYSIS

FIGURE 5.2.12 REV. 13 01/95

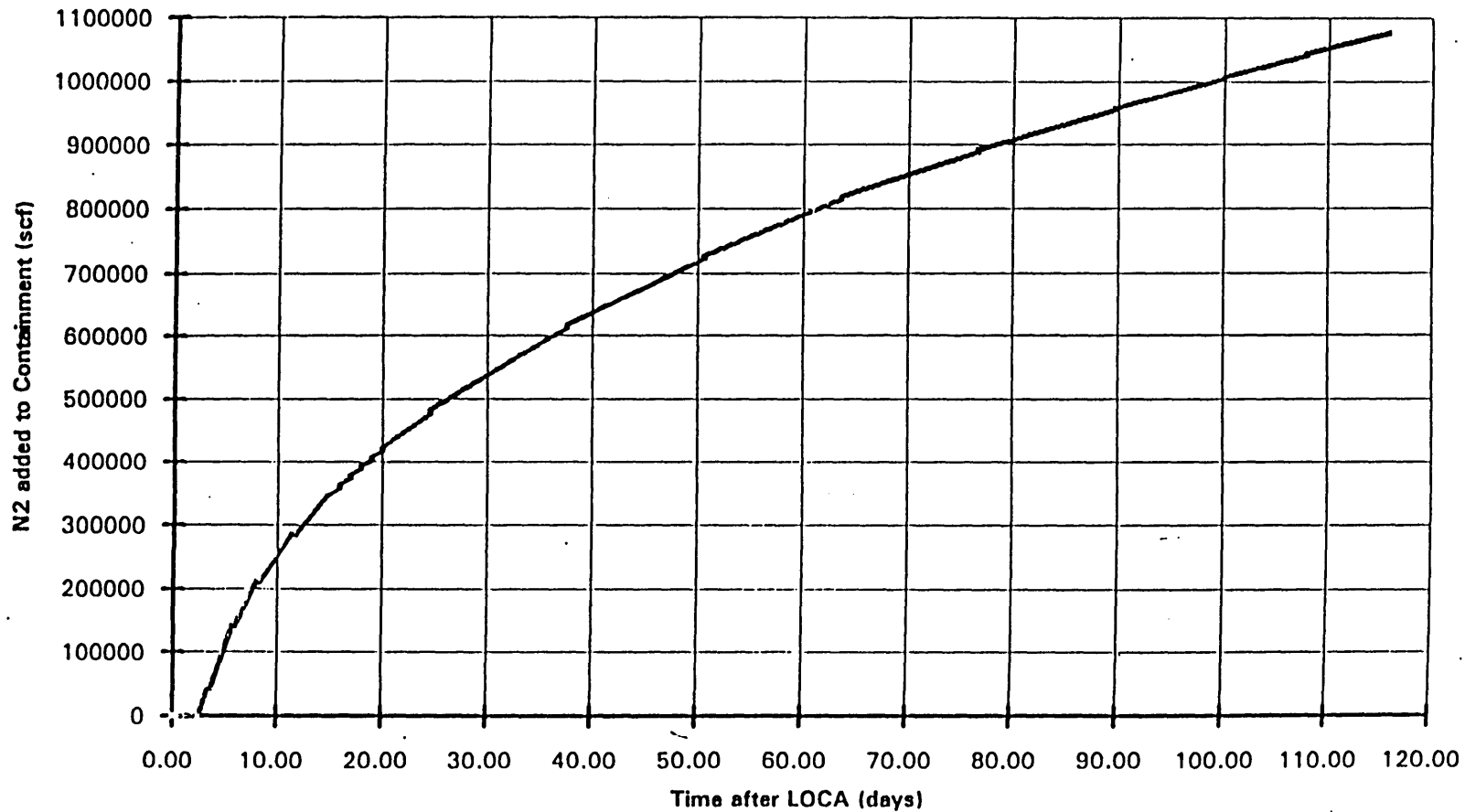


PECO ENERGY COMPANY
 PEACH BOTTOM ATOMIC POWER STATION
 UNITS 2 AND 3
 UPDATED FINAL SAFETY ANALYSIS REPORT

SUPPRESSION CHAMBER O₂ AND H₂
 CONCENTRATIONS FOLLOWING A LOCA -
 REGULATORY GUIDE 1.7 ANALYSIS

FIGURE 5.2.13

REV. 14 05/97

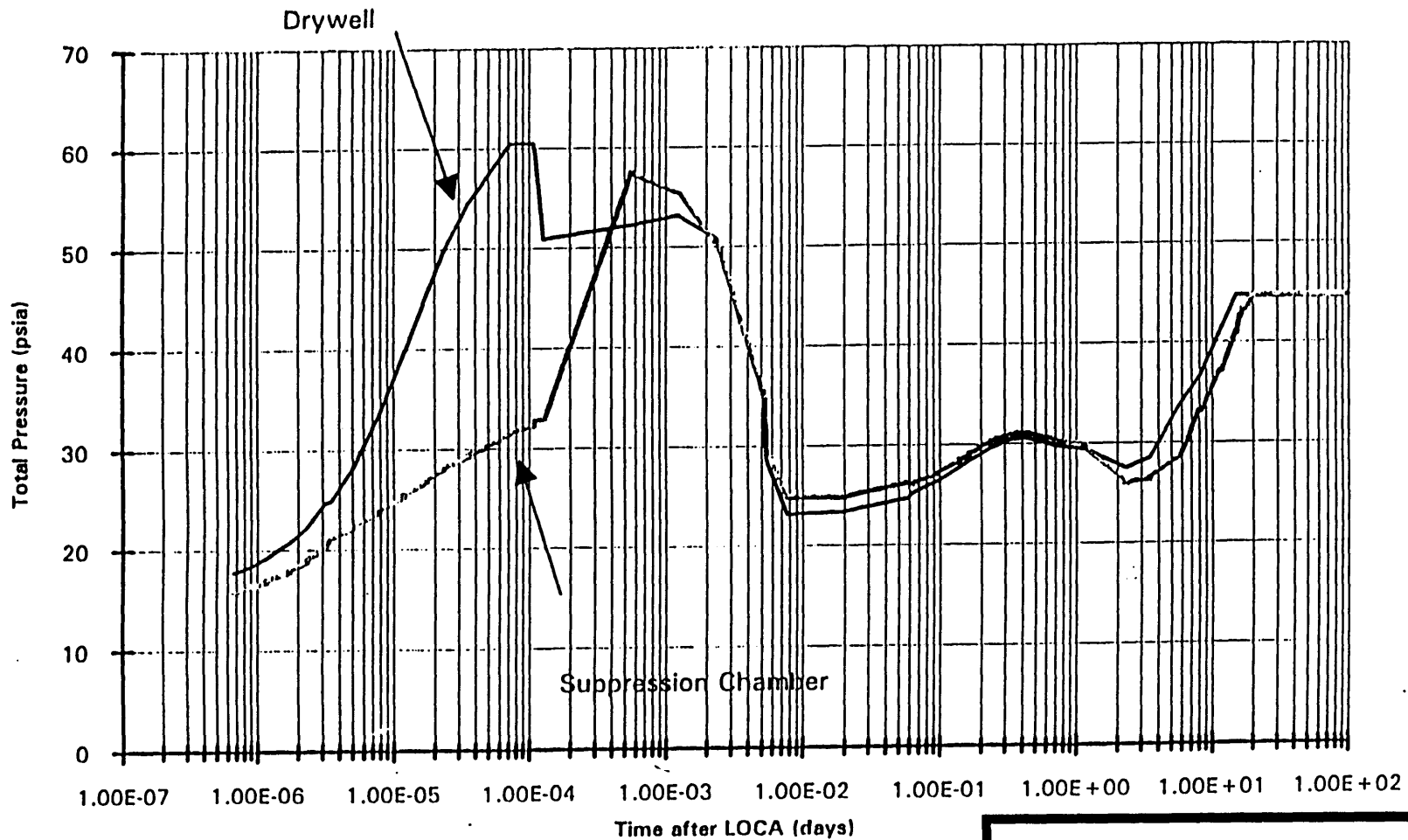


PHILADELPHIA ELECTRIC COMPANY
 PEACH BOTTOM ATOMIC POWER STATION
 UNITS 2 AND 3
 UPDATED FINAL SAFETY ANALYSIS REPORT

MAXIMUM TOTAL NITROGEN REQUIRED
 FOR DILUTION VERSUS TIME FOLLOWING
 A LOCA (ZERO CONTAINMENT LEAKAGE)

FIGURE 5.2.14

REV. 13 01/95



PHILADELPHIA ELECTRIC COMPANY
 PEACH BOTTOM ATOMIC POWER STATION
 UNITS 2 AND 3
 UPDATED FINAL SAFETY ANALYSIS REPORT

CONTAINMENT PRESSURE VERSUS TIME
 FOLLOWING A LOCA DILUTION WITH
 NITROGEN

FIGURE 5.2.15

REV. 13 01/95

Figure 5.2.16
Deleted

Figure 5.3.1 thru 5.3.3

Deleted