

Figure 9.2.1A thru 9.2.4a

Deleted

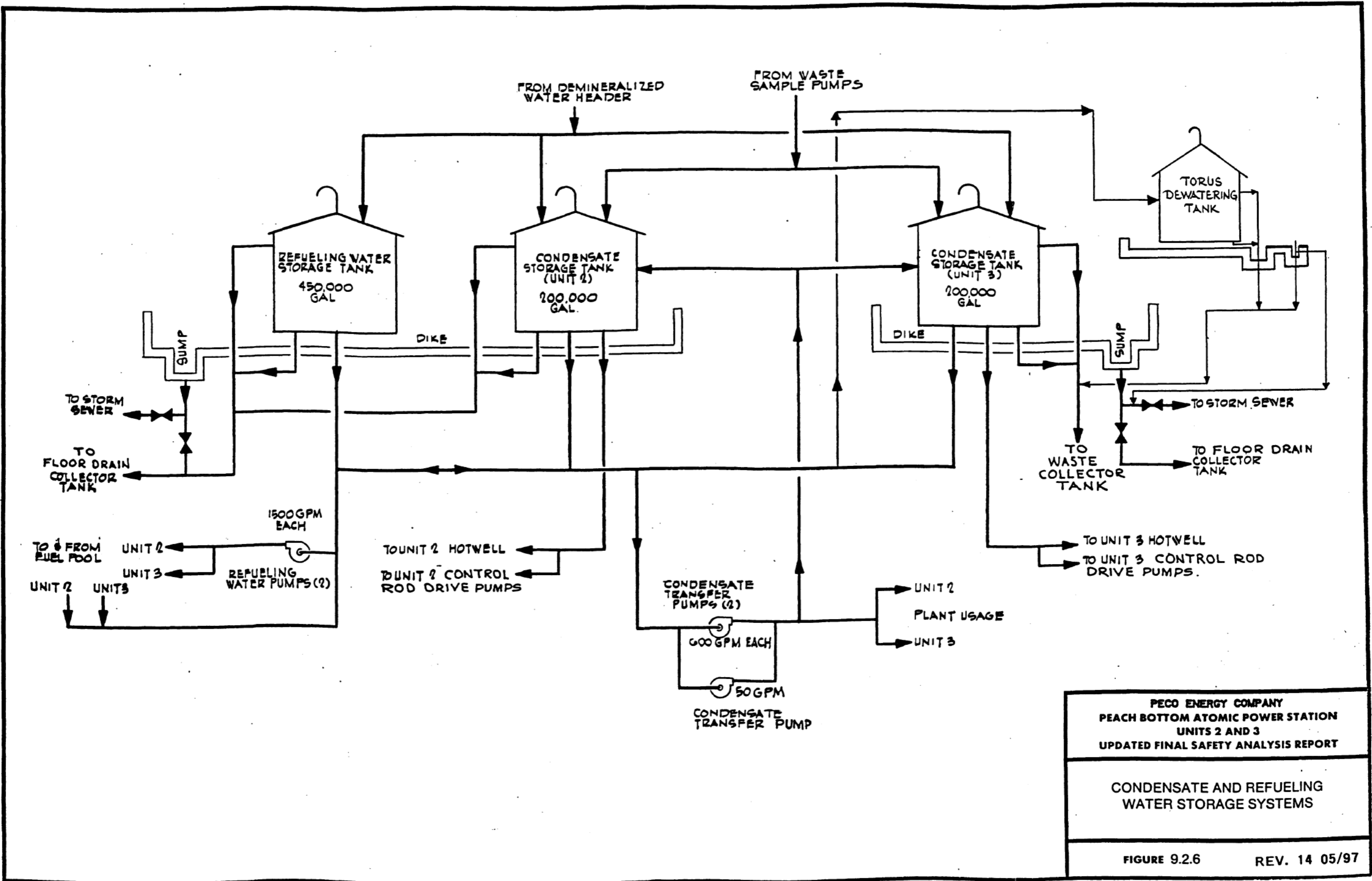
Figure 9.2.4c

Deleted

Security-Related Information Withheld under 10 CFR 2.390

Security-Related Information Withheld under 10 CFR 2.390

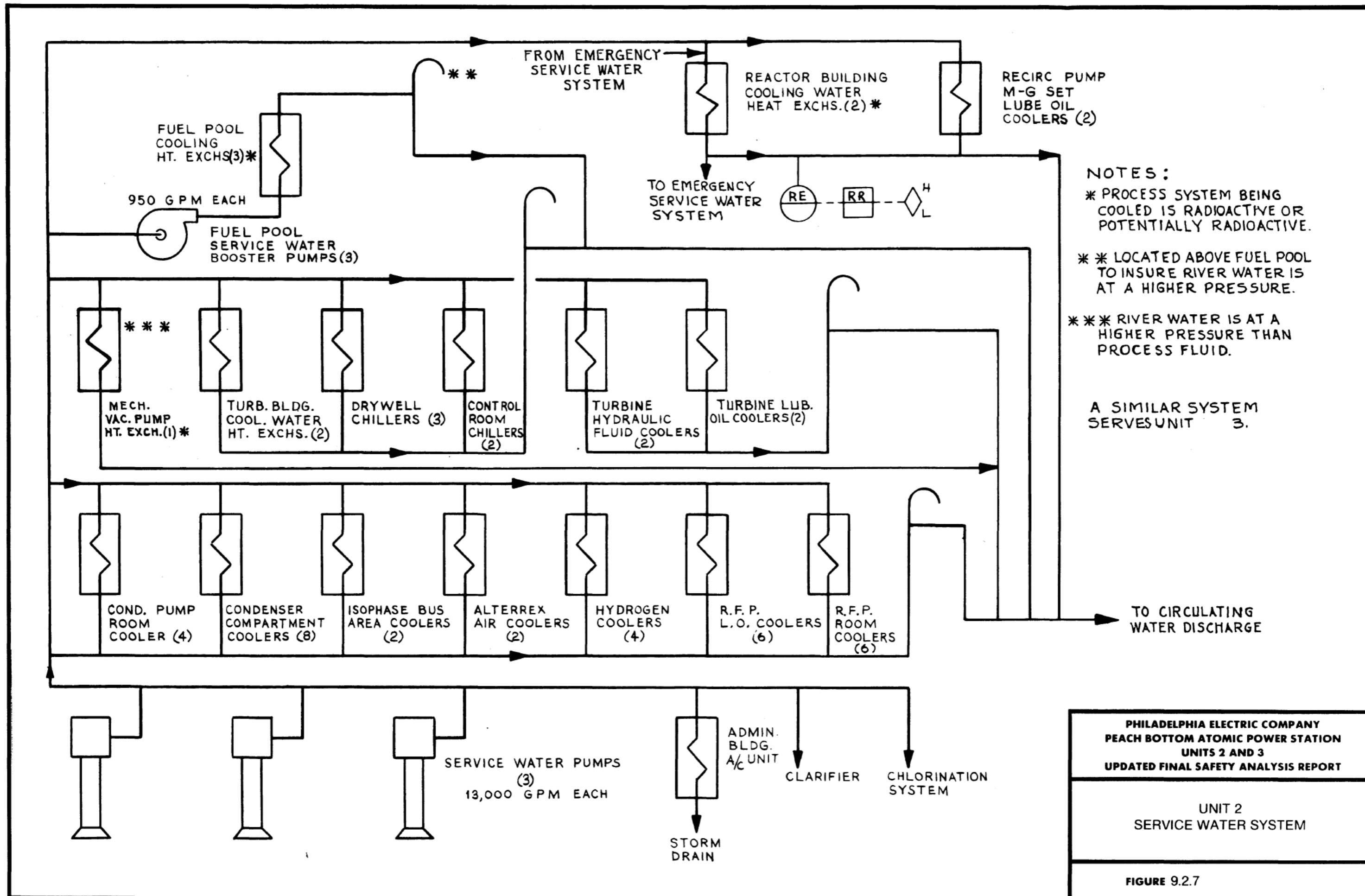
Security-Related Information Withheld under 10 CFR 2.390



PECO ENERGY COMPANY
 PEACH BOTTOM ATOMIC POWER STATION
 UNITS 2 AND 3
 UPDATED FINAL SAFETY ANALYSIS REPORT

CONDENSATE AND REFUELING
 WATER STORAGE SYSTEMS

FIGURE 9.2.6 REV. 14 05/97



NOTES:

- * PROCESS SYSTEM BEING COOLED IS RADIOACTIVE OR POTENTIALLY RADIOACTIVE.
- ** LOCATED ABOVE FUEL POOL TO INSURE RIVER WATER IS AT A HIGHER PRESSURE.
- *** RIVER WATER IS AT A HIGHER PRESSURE THAN PROCESS FLUID.

A SIMILAR SYSTEM SERVES UNIT 3.

PHILADELPHIA ELECTRIC COMPANY
 PEACH BOTTOM ATOMIC POWER STATION
 UNITS 2 AND 3
 UPDATED FINAL SAFETY ANALYSIS REPORT

UNIT 2
 SERVICE WATER SYSTEM

FIGURE 9.2.7

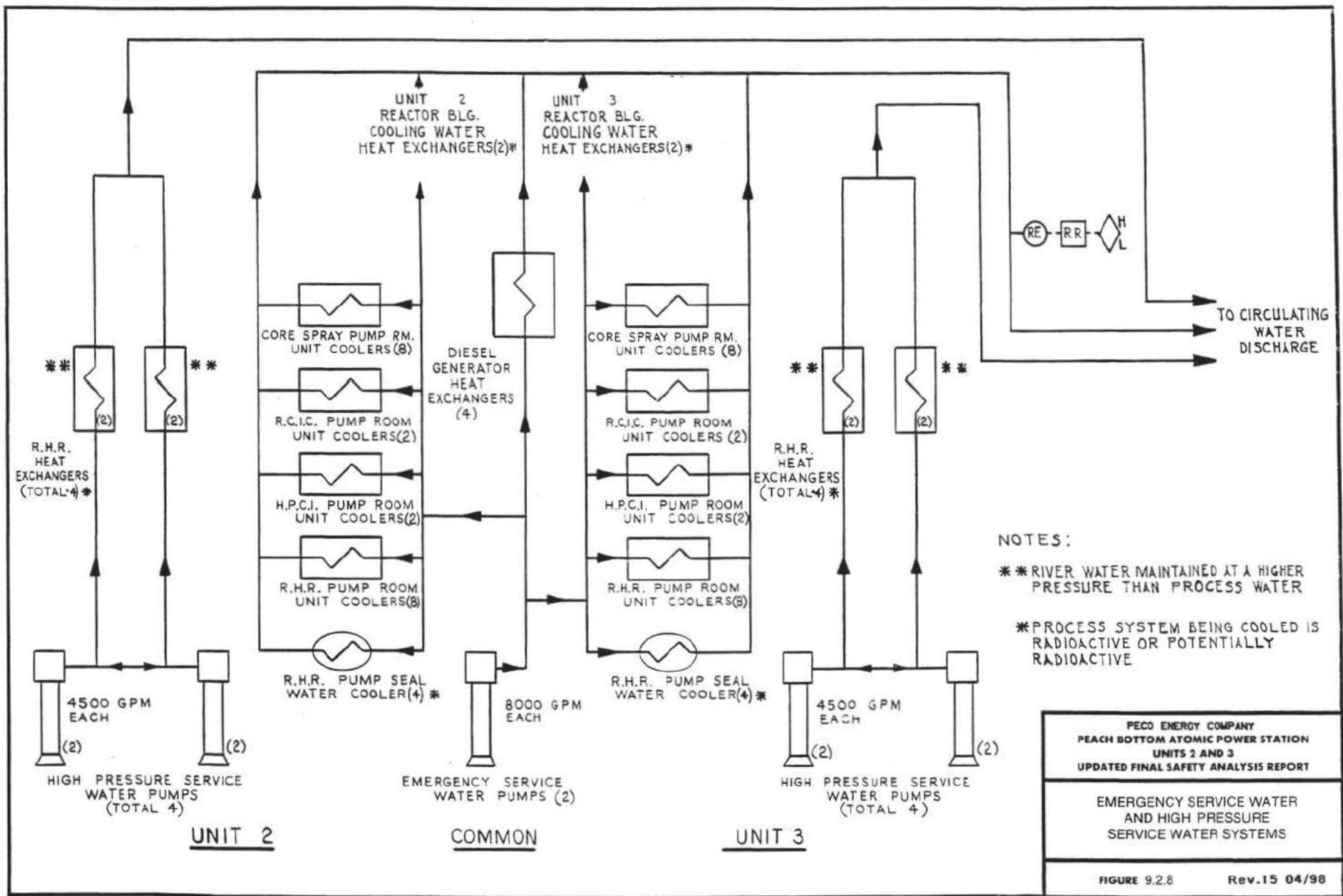


Figure 9.3.1 thru 9.3.2

Deleted

Figure 9.4.1

Deleted