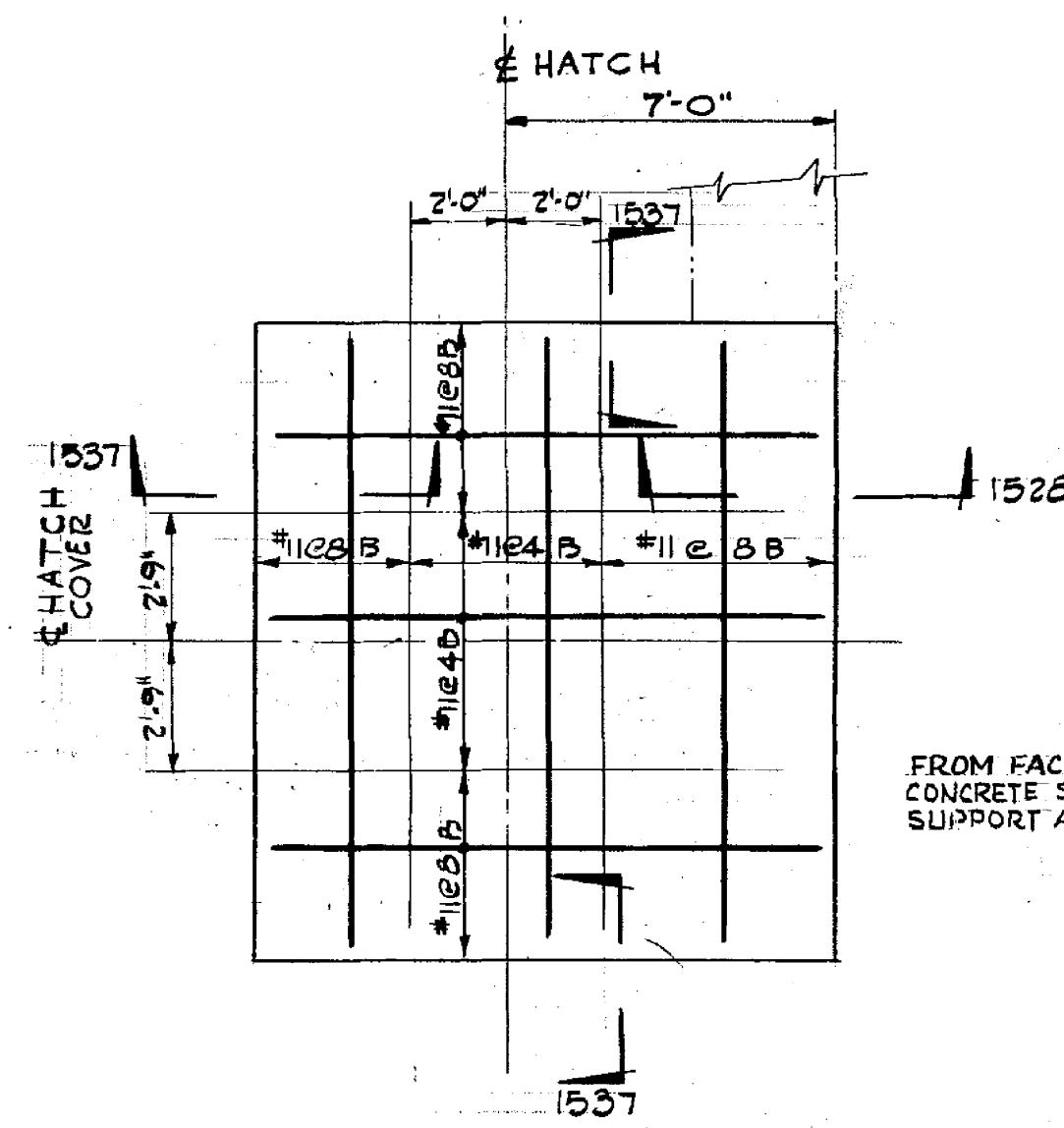
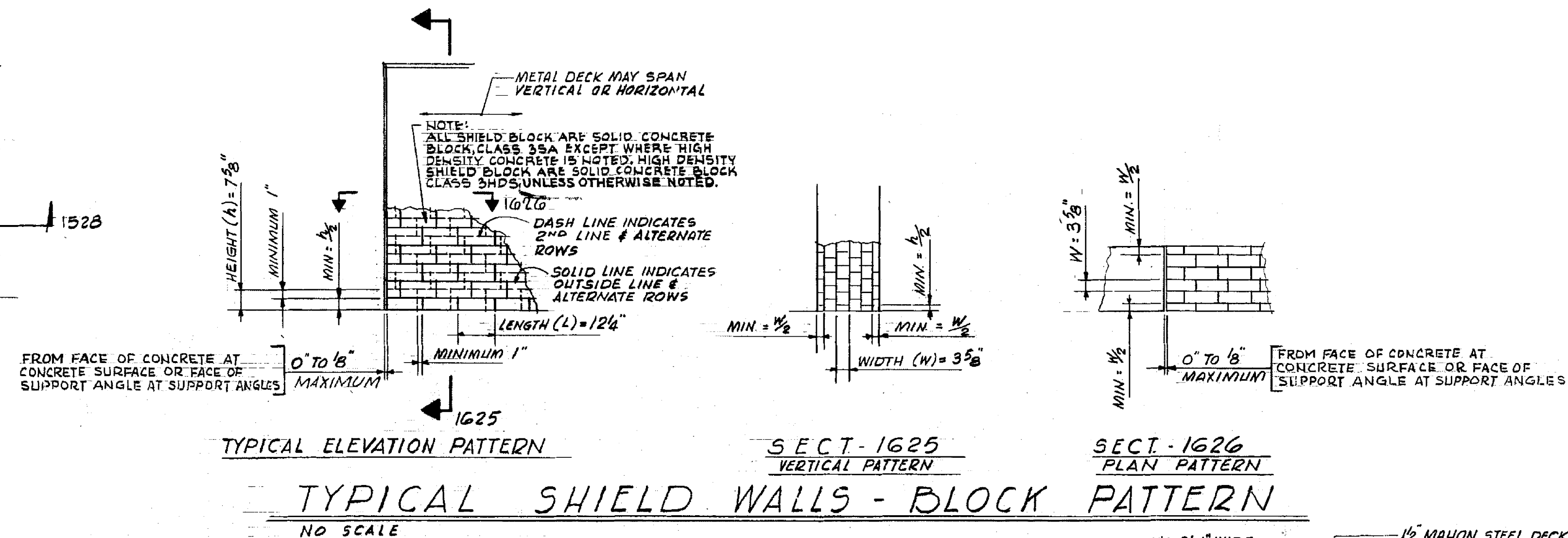


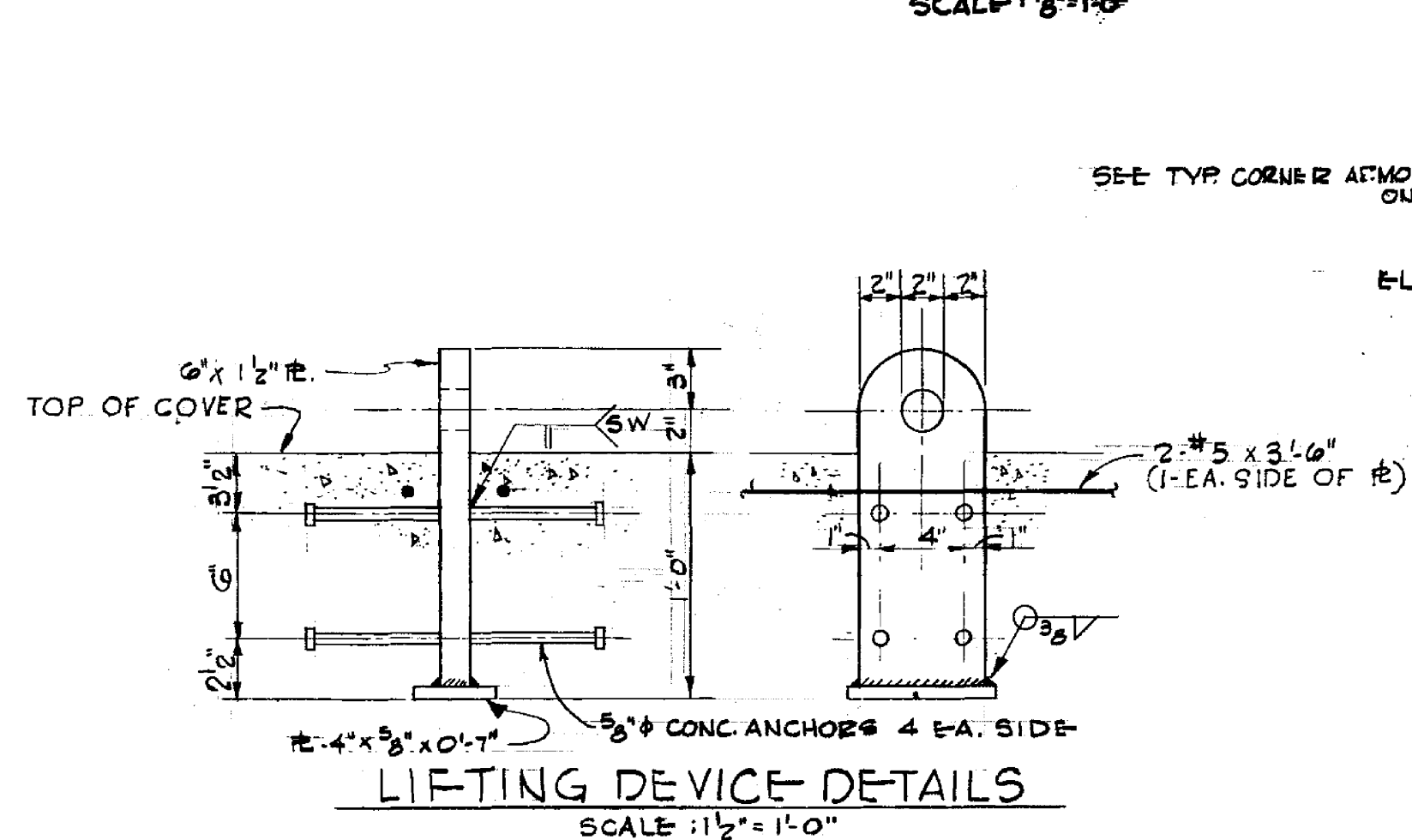
PART PLAN - H.P.C.I. HATCH COVER
(FOR REMAINDER OF PLAN SEE 426)
SCALE: 1/8" = 1'-0"



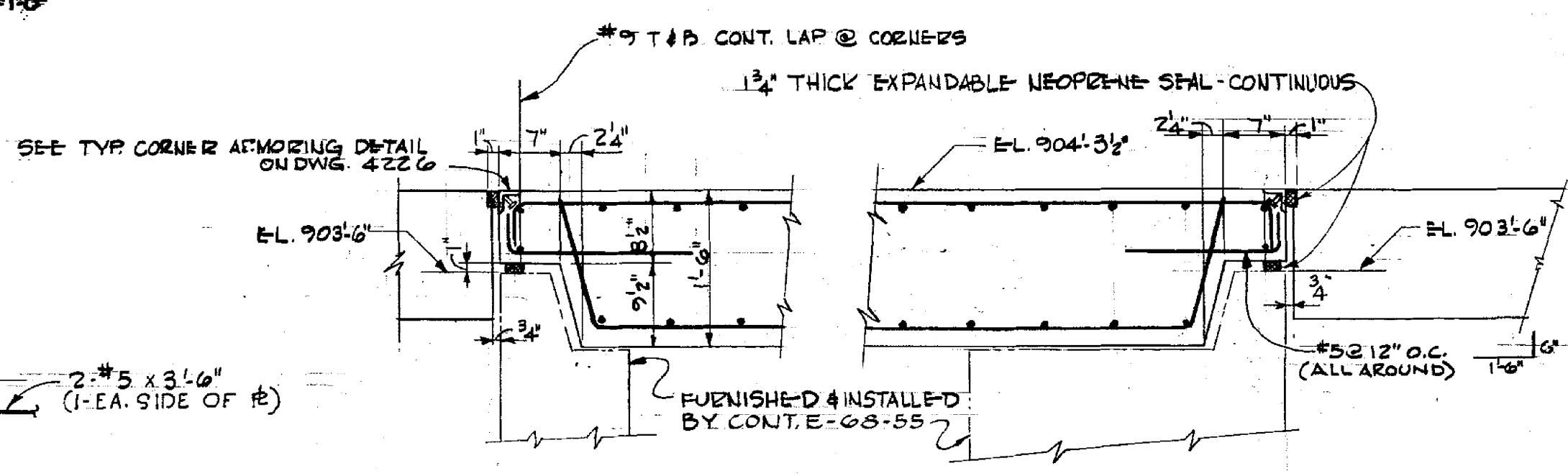
REINFORCING PLAN H.P.C.I. HATCH COVER
SCALE: 1/4" = 1'-0"



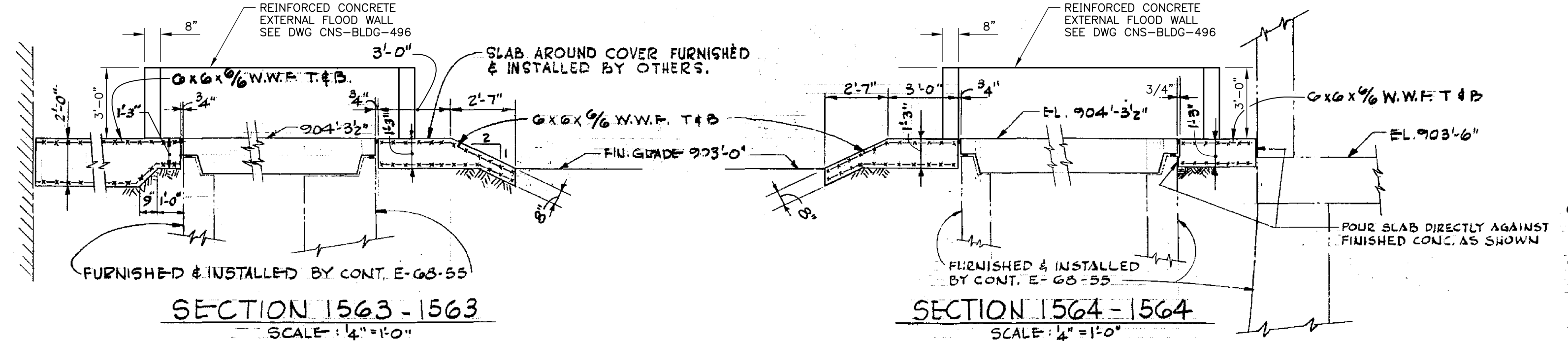
TYPICAL SHIELD WALLS - BLOCK PATTERN
NO SCALE



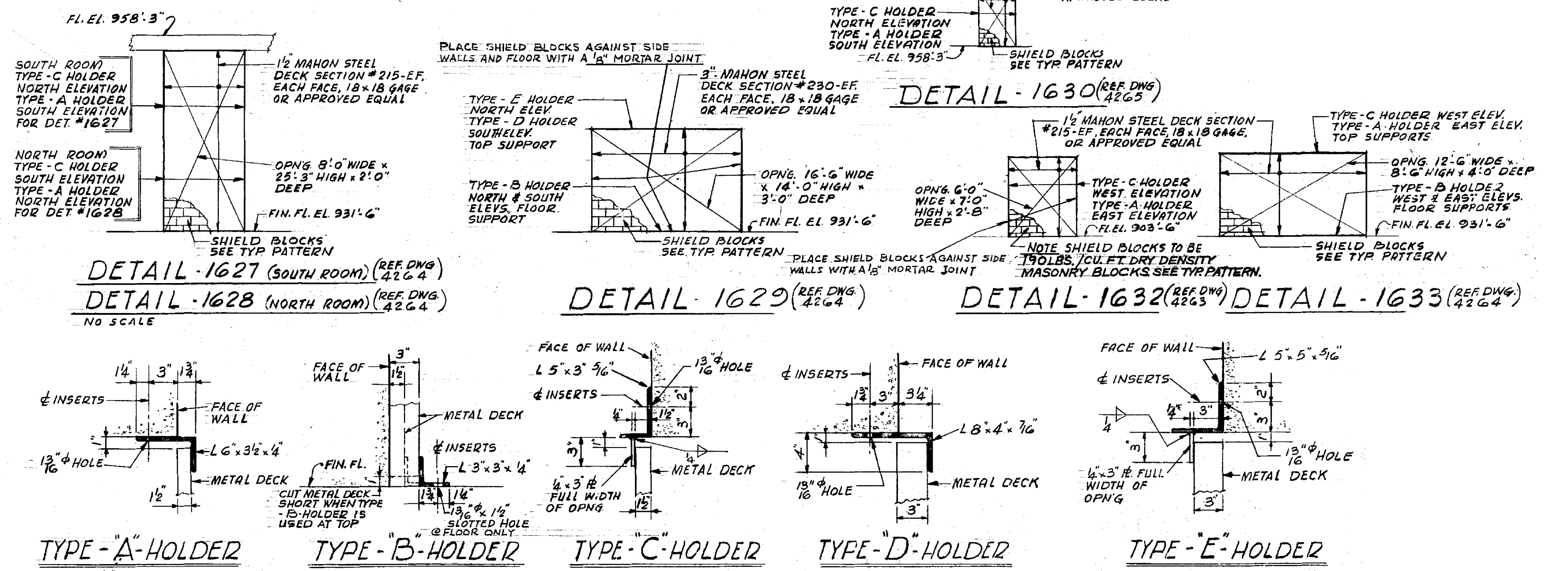
LIFTING DEVICE DETAILS
SCALE: 1/2" = 1'-0"



SECTION 1537-1537 SCALE: 3/4" = 1'-0"
SECTION 1528-1528 SCALE: 3/4" = 1'-0"



SECTION 1563-1563 SCALE: 1/4" = 1'-0"
SECTION 1564-1564 SCALE: 1/4" = 1'-0"



DETAIL - 1627 (SOUTH ROOM) (REF DWG 422 G 4)
DETAIL - 1628 (NORTH ROOM) (REF DWG 422 G 4)
DETAIL - 1629 (REF DWG 422 G 4)
DETAIL - 1630 (REF DWG 422 G 5)
DETAIL - 1632 (REF DWG 422 G 5) / **DETAIL - 1633** (REF DWG 422 G 4)
DETAIL - 1634 (REF DWG 422 G 3)
NO SCALE

NOTES:
1. ALL SHIELDING BLOCKS SHALL BE LAYED UP WITHOUT MORTAR, EXCEPT AS NOTED.

NO.	REVISIONS

FOR PREVIOUS REVISIONS, SEE SUPERSEDED CARDS.			
REVISIONS BY N.P.P.D.			
NO.	REVISIONS	DFT	CHK
NO3	CE0 6033644 (DCN 12-0125)	RAC	KPB

SIGNIFICANT NUMBER	1	2	3	4	5	6	DRAWN DATE	DATE
	GROUP							
	CHECKED DATE							
	APPROVED DATE							
COOPER NUCLEAR STATION REACTOR BUILDING STRUCTURAL SHIELDING BLOCKS (HPCI HATCH)								BURNS & ROE
FILMED								
4215								
NO3								

FOR CONSTRUCTION
454004585