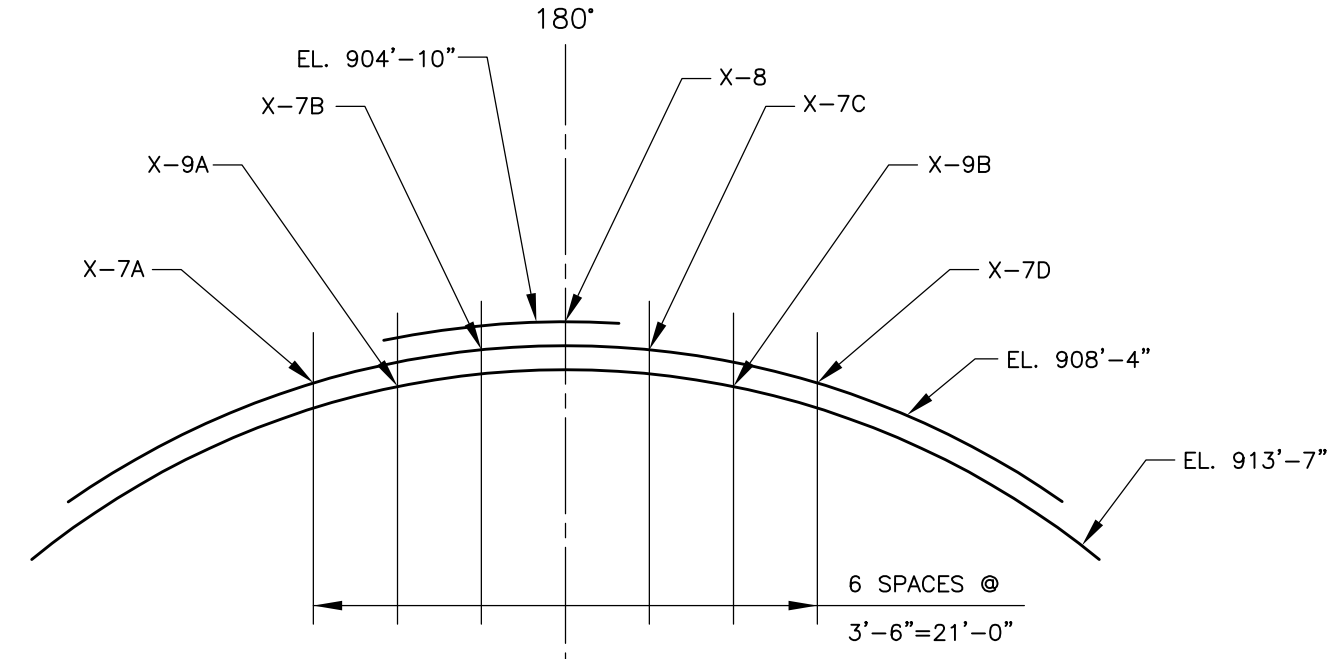
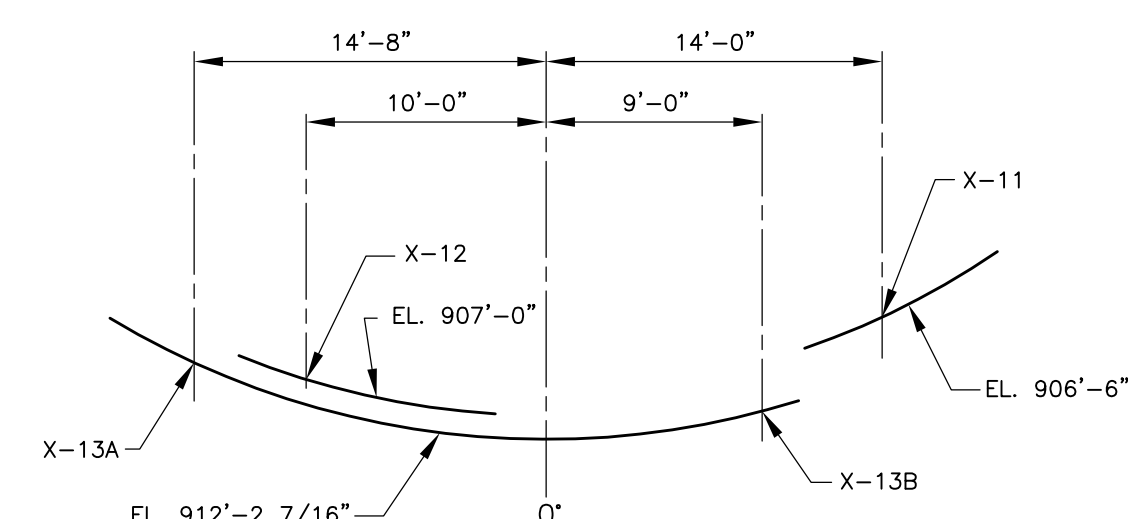


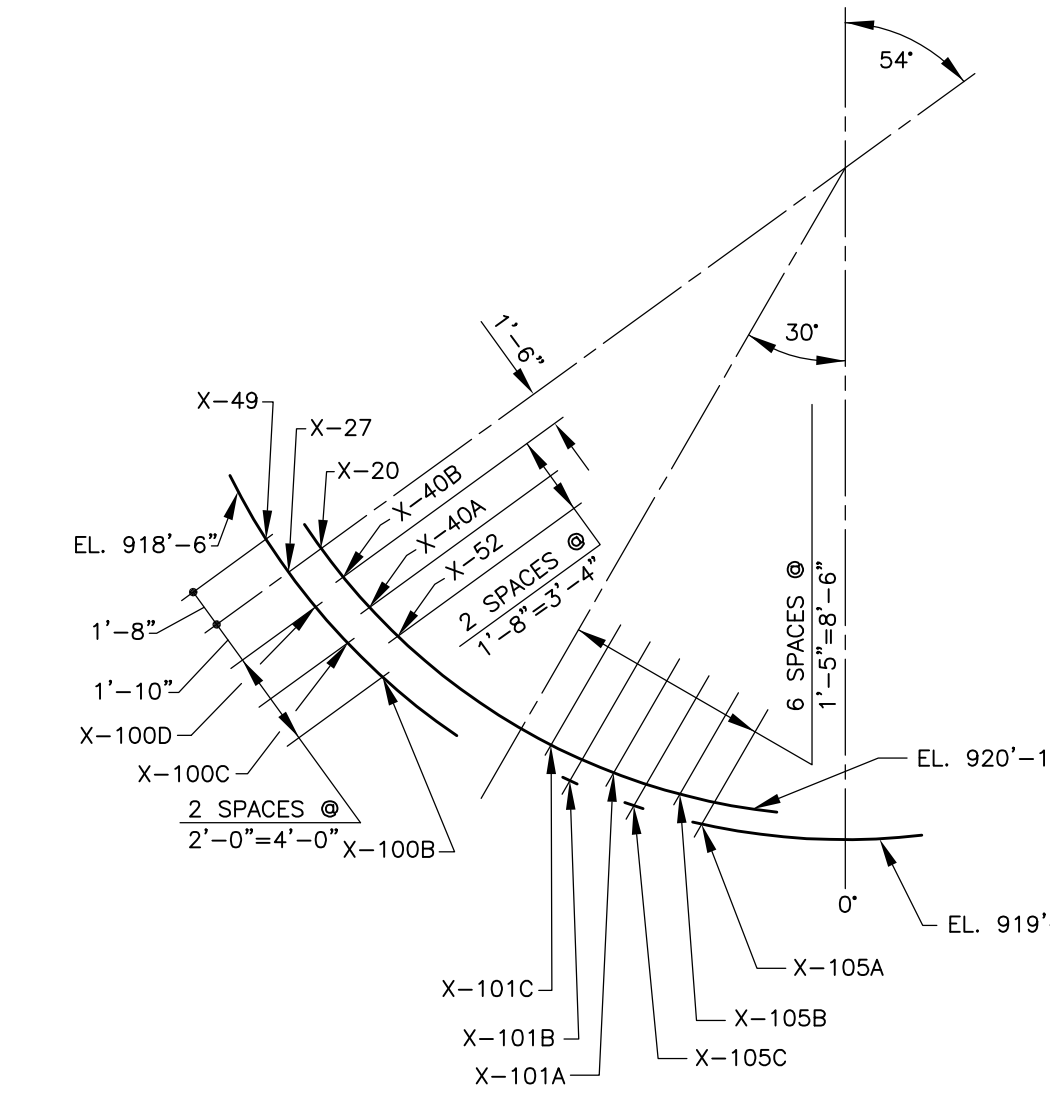
SECTION 1-1  
SEE NOTE 4



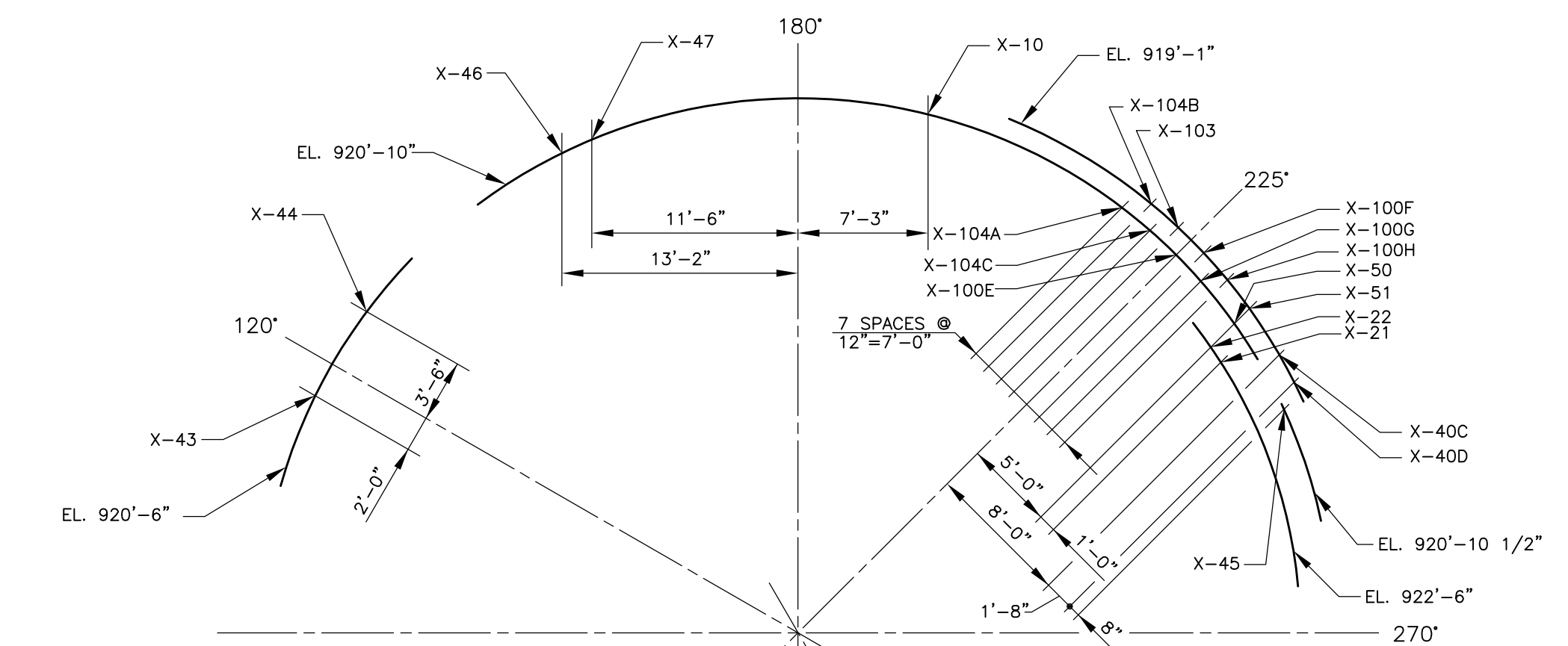
SECTION 4-4  
SEE NOTE 4



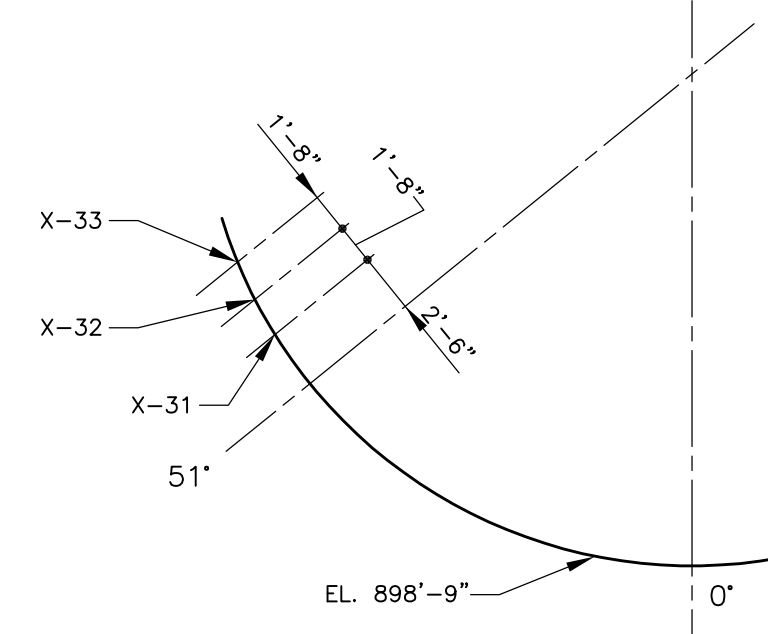
SECTION 5-5  
SEE NOTE 4



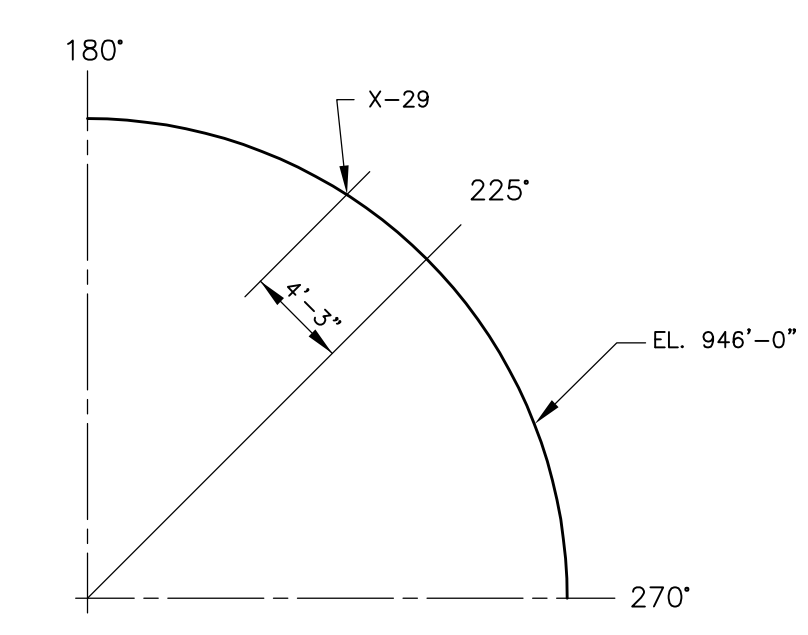
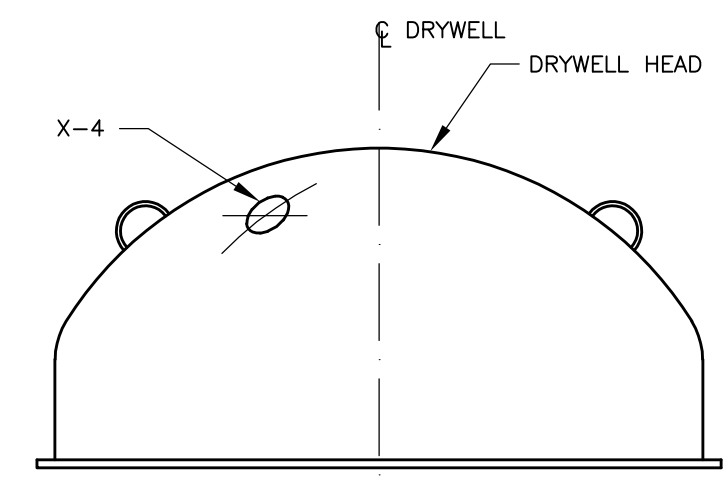
SECTION 6-6  
SEE NOTE 4



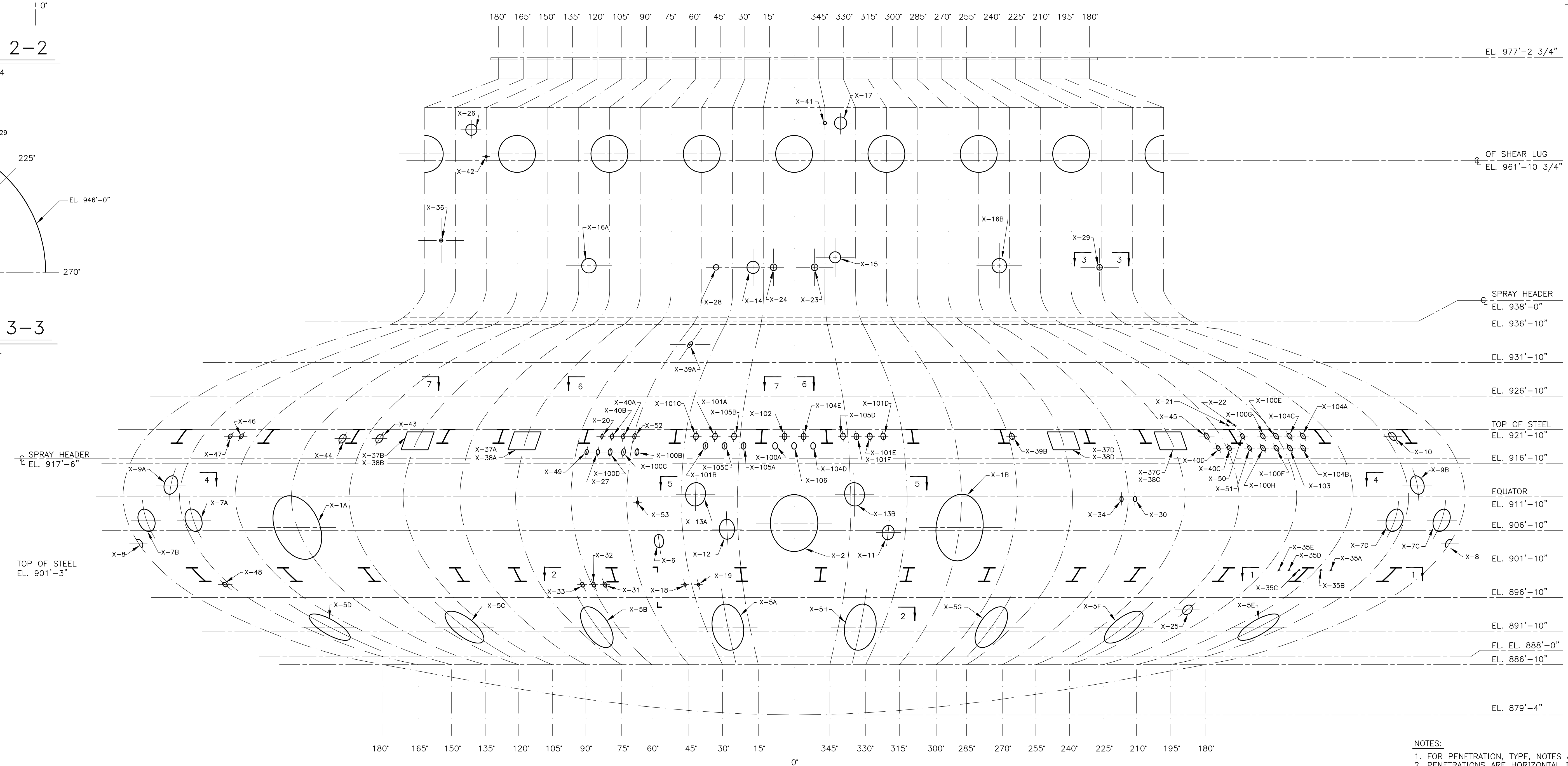
SECTION 7-7  
SEE NOTE 4



SECTION 2-2  
SEE NOTE 4



SECTION 3-3  
SEE NOTE 4



STRETCHOUT VIEW OF OUTSIDE OF DRYWELL

- NOTES:
1. FOR PENETRATION, TYPE, NOTES AND REFERENCE DWGS. SEE DWG. #4262 (FOR REF. ONLY).
  2. PENETRATIONS ARE HORIZONTAL IN ELEVATION AND RADIAL IN PLAN UNLESS OTHERWISE NOTED.
  3. ELEVATIONS GIVEN IN SECTIONS ARE AT INSIDE FACE OF DRYWELL SHELL, UNLESS OTHERWISE NOTED.
  4. FOR ORIENTATION TO BUILDING SEE DWG. #4260 SHEET 2.
  5. FOR SECTION NOT SHOWN ON THIS DWG. SEE DWG. #4262 (FOR REF. ONLY).
  6. ALL PENETRATION ARE SHOWN IN THEIR APPROXIMATE LOCATIONS.

454004628  
AS BUILT  
CADD DRAWING  
DO NOT REVISE MANUALLY

THIS DRAWING IS NOT TO SCALE

NO.	REVISIONS

FOR PREVIOUS REVISIONS, SEE SUPERSEDED CARDS

REVISIONS BY N.P.P.D.			
NO.	REVISIONS	DFT	CHKD
N10	REDRAWN PER CR96-0160 (OCT 97-0094)	SPB	JEH

SIGNIFICANT NUMBER	1	2	3	4	5	6	DATE	
GROUP								
CHECKED							DATE	
APPROVED							DATE	
FILMED								

CONTAINMENT VESSEL  
PENETRATION LOCATION  
SHEET 1

BURNS & ROE

4259 N10

NO. 0012748