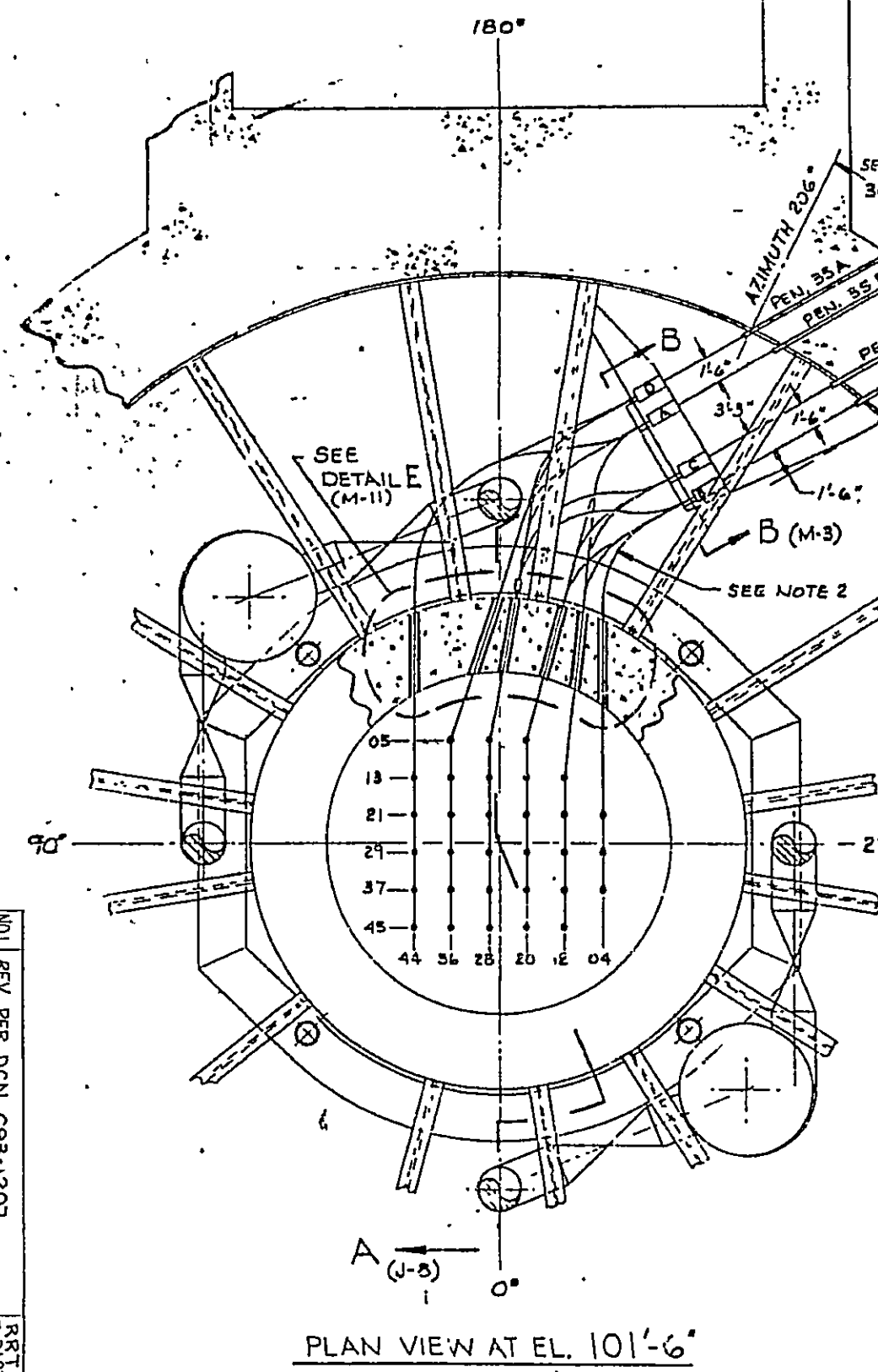


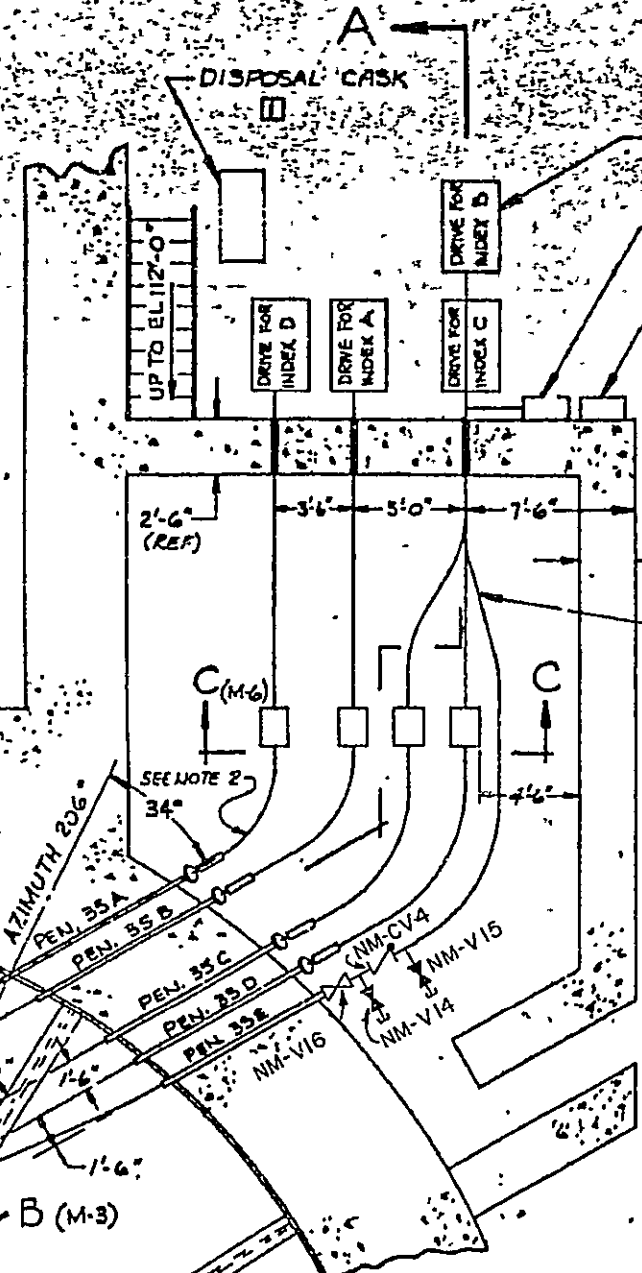
TUBE ROUTING SCHEDULE

05	C9	C7	C2		
15	D1	C8	C5	C1	
21	D2	D9	C6	B9	B1
29	D3	D8	C4	B8	B2
37	D4	D7	A9	A2	B4
45	A7	A6	A8	A3	A1
	36	28	20	12	04

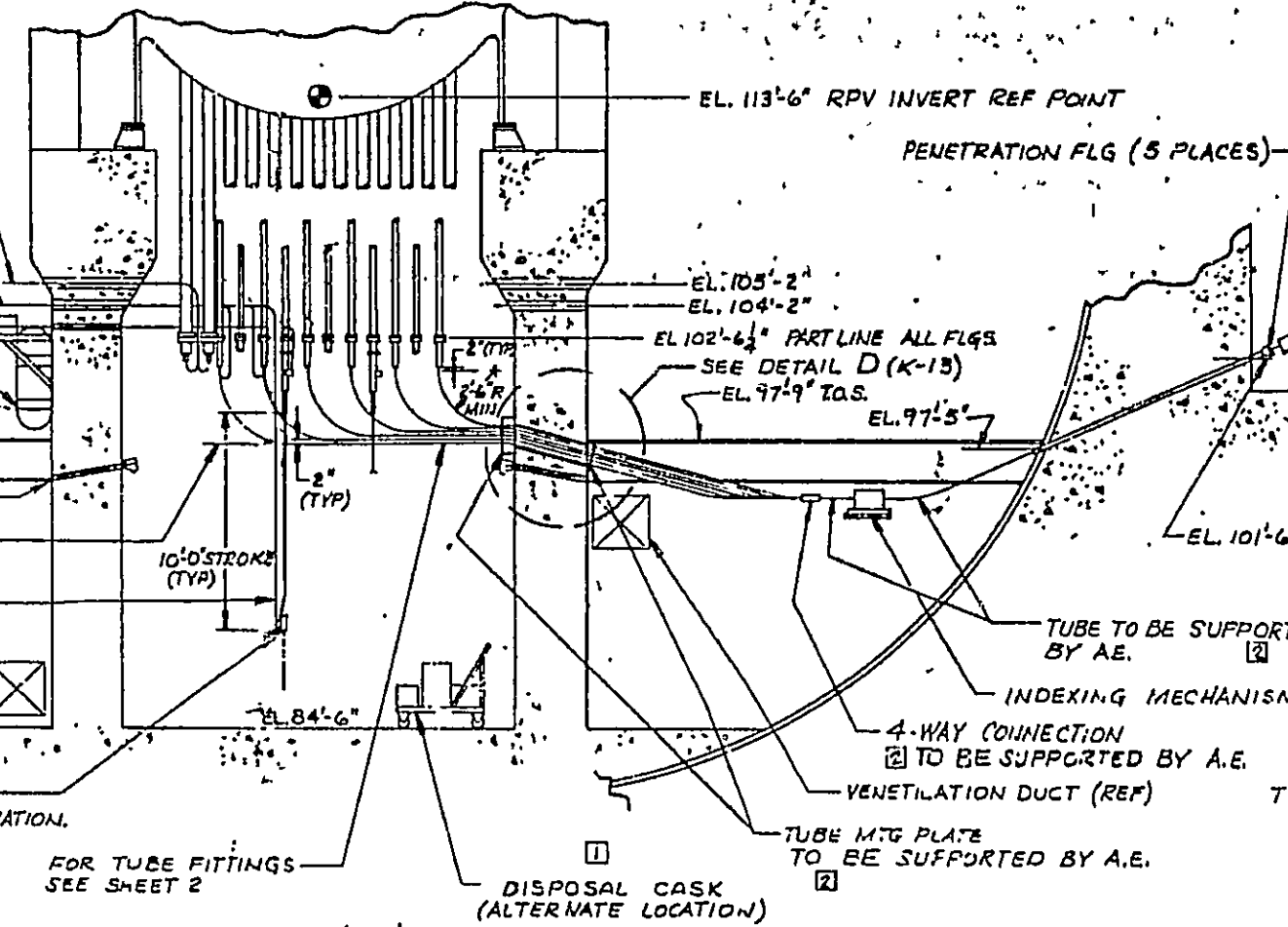
NOTE: THE TUBE ROUTING SCHEDULE INDICATES THE TUBE LINE THAT COMES FROM EACH INDEXING MECHANISM. THE INDEXING MECH ARE DESIGNATED LETTERS (A,B,C,D) AS SHOWN IN THE PLAN VIEW. FOR TUBE ROUTING NUMBERING SEE VIEW G-G, SHEET 2. ROUTE ALL 10 TUBES FROM INDEXING MECH. TO THE 4-WAY CONN. AS SHOWN IN THE 4-WAY CONNECTION DIAGRAM ON SHEET 2.



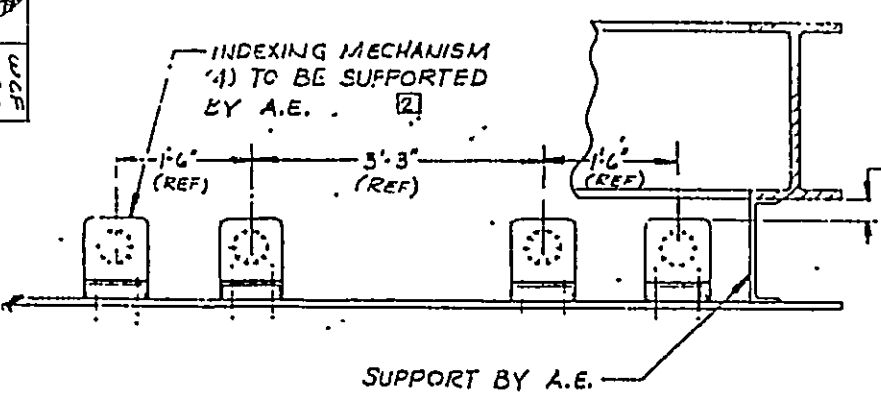
PLAN VIEW AT EL. 101'-6"



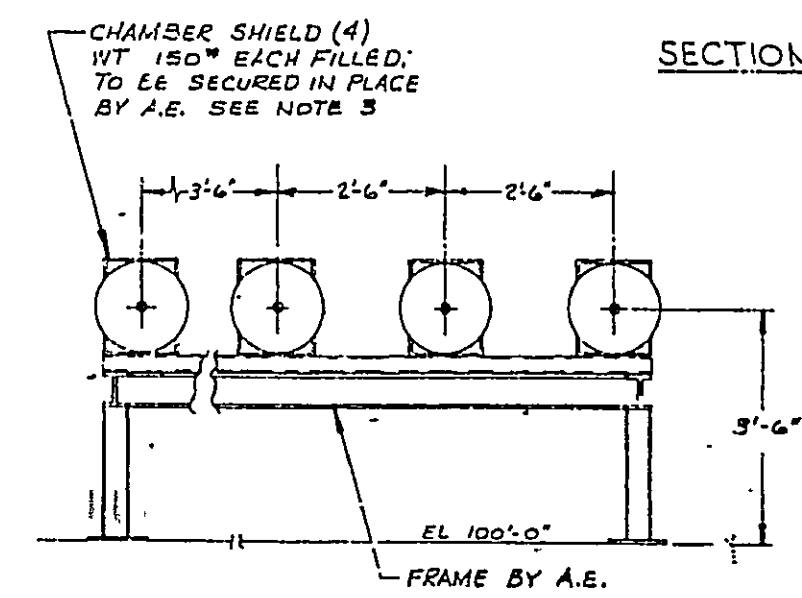
PLAN VIEW AT EL. 105'-2"



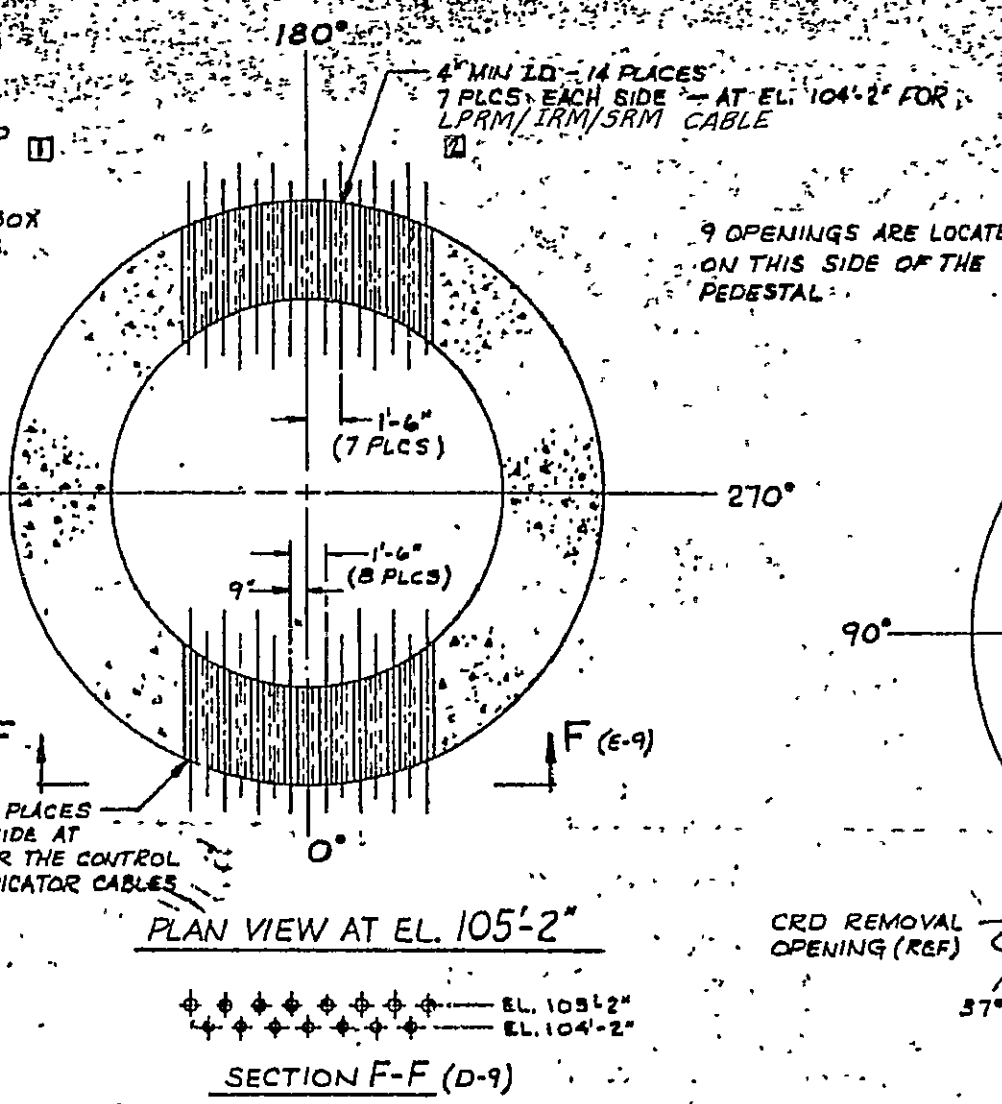
SECTION A-A (J-3)



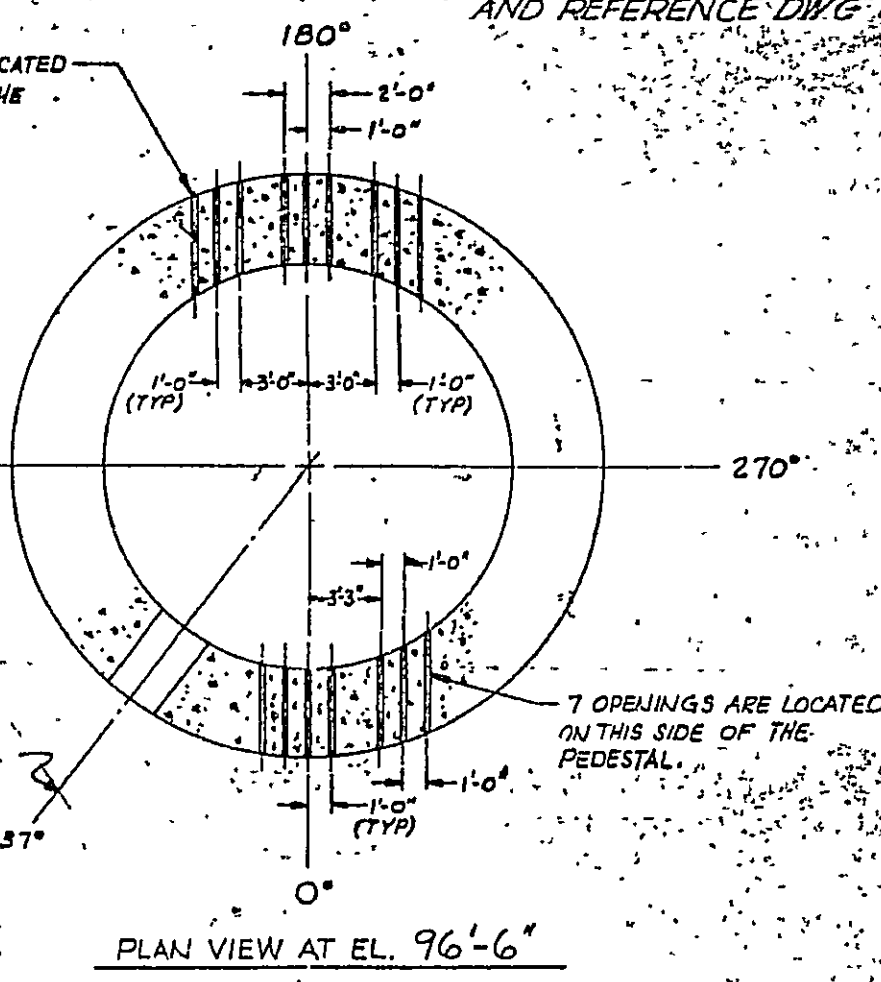
SECTION B-B (E-4)



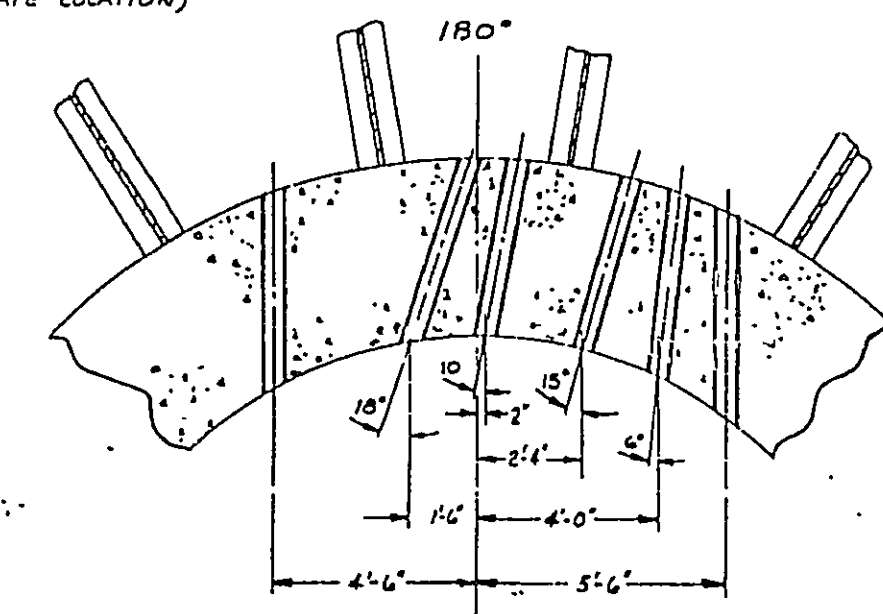
SECTION C-C (C-6)



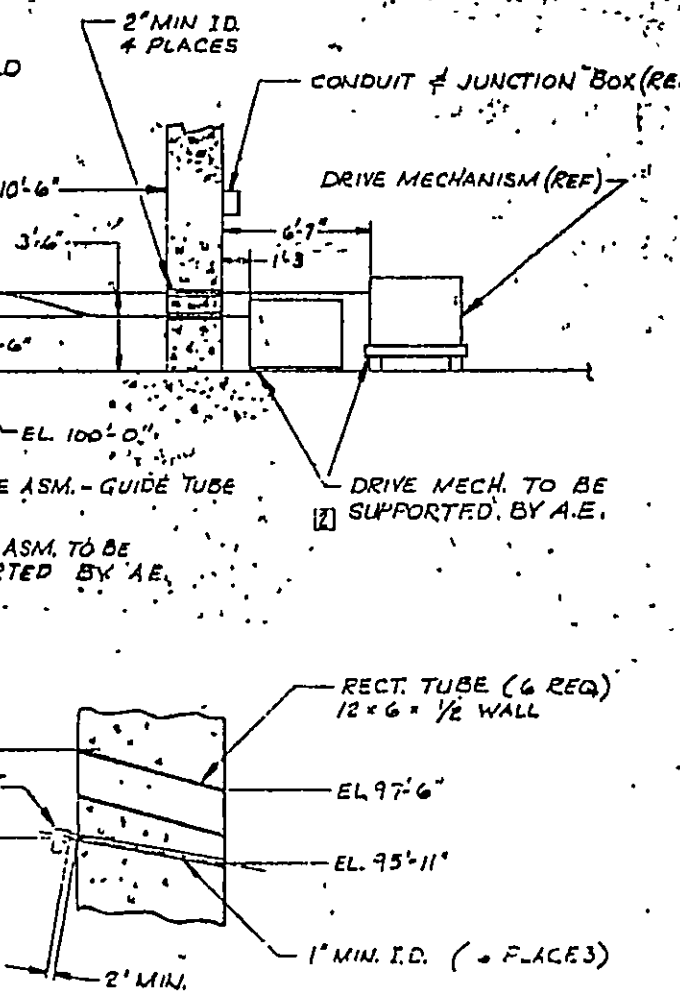
SECTION F-F (D-9)



PLAN VIEW AT EL. 96'-6"



DETAIL E (E-3)



DETAIL D (H-9)

FOR CONSTRUCTION

452005355

NO. 1 REV. PER. DCN C93-1207
 REVISIONS
 DFT. CKD. APP.
 DON REVISIONS BY N.P.P.D.

REVISIONS BY N.P.P.D.

NO.	REV.	PER.	DCN	DATE
NO2	REV.	PER	DCN C94-1122	9-27-94

APED 730E100
 SAN JOSE