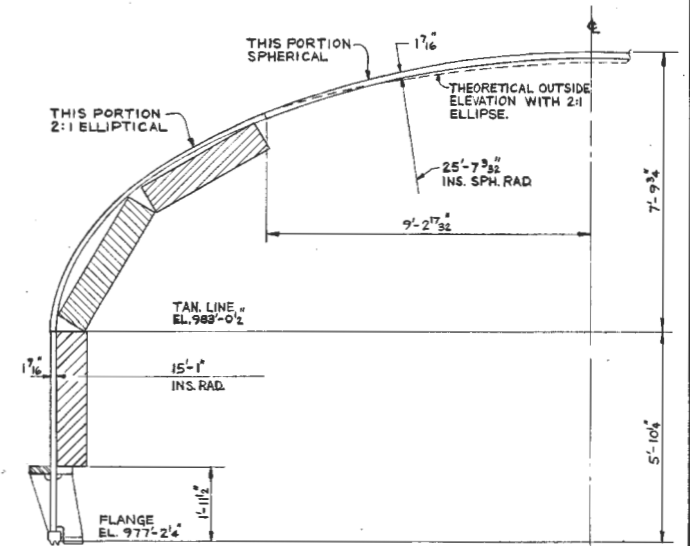


- NOTES:**
1. LOCAL PANEL INTERFERENCES WITH PIPING, DUCTWORK, STRUCTURAL STEEL AND ELECTRICAL CONDUIT HAVE NOT BEEN NOTED ON DRAWING. CONTRACTOR SHALL FOLLOW REQUIREMENTS OUTLINED IN SPECIFICATION E72-37 PARAGRAPH 3.1 RELATIVE TO THIS MATTER.
 2. PANELS REQUIRED TO BE CUT IN FIELD SHALL BE REPAIRED TO RE-ESTABLISH ITS STRUCTURAL INTEGRITY.
 3. PANELS NOTCHED TO ALLOW FOR S/RV SUPPORTS AS SHOWN ON STRETCHOUT VIEW AT AZIMUTH 350°, ELEVATION 912'-0\" AND AZIMUTH 350°, ELEV 912'-0\", 915'-8\" AND AZIMUTH 50° ELEV. 912'-0\", 915'-8\" AND AZIMUTH 50° ELEV. 912'-0\", COVER PLATE REMAINS.
 4. PANEL CORRUGATION REMOVED AS SHOWN AT AZIMUTH 290° ELEVATION 912'-0\", COVER PLATE REMAINS.
 5. HOLE CUT IN ENERGY ABSORBING PANEL FOR RIGGING PAD. SEE CBI DRAWING NO. 106A2-1.
 6. ENERGY ABSORBER FRAMES HAVE BEEN TRIMMED FOR TWO (VR) PIPING SUPPORTS. SEE VR-H50 AND VR-H59 SUPPORT DRAWINGS FOR DETAILS.

DRYWELL HEAD ADDITIONAL PANELS

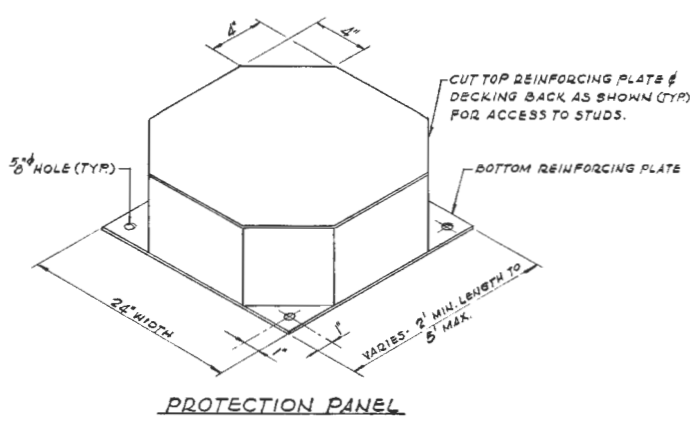


SECTION B-B

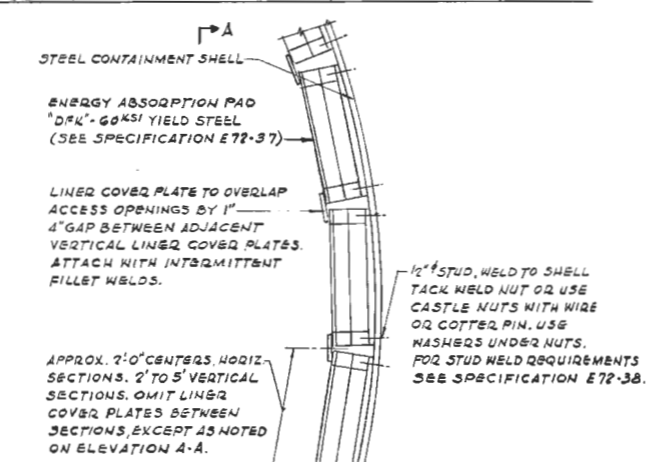
SPHERICAL DIAMETER = 65'-0"
CYLINDRICAL DIAMETER = 35'-7"
DIAMETER @ EL 977'-2 3/4" = 30'-2"

- SEE CBI ER 94, ER 95, ER 96 PAD ON INSIDE OF CONTAINMENT FOR RIGGING.
- △ SEE CBI CONTRACT DWG. 3 PAD ON INSIDE OF CONTAINMENT FOR SCAFFOLD.

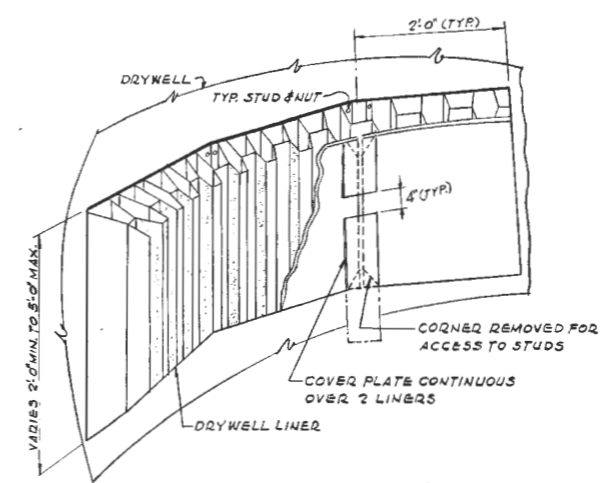
STRETCHOUT VIEW OF OUTSIDE OF DRYWELL



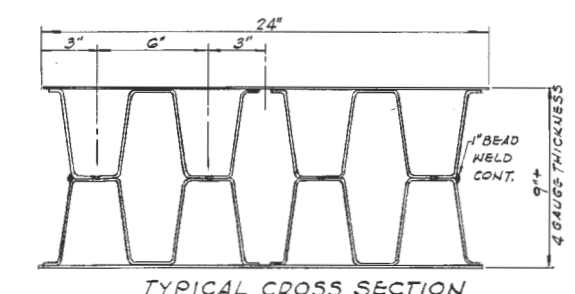
PROTECTION PANEL



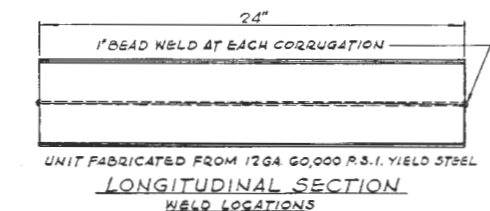
PLAN SUGGESTED SECTION THRU SPHERE SEGMENT OF CONTAINMENT VESSEL



ELEVATION A-A



TYPICAL CROSS SECTION



LONGITUDINAL SECTION WELD LOCATIONS

REV. NO.	REVISION	BY	CHKD.	APP.	DATE
1	ADDED PLAN & SECTION FOR DRYWELL HEAD ADDITIONAL PANELS. ADDED ELEVATIONS ON STRETCHOUT VIEW.	A.S.	R.W.	R.W.	12/1/72
2	ADDED ADD'L PANELS ON STRETCHOUT VIEW OF DRYWELL	R.W.	R.W.	R.W.	12/1/72

NO.	REVISIONS	BY	CHKD.	DATE
1	DCN REVISIONS BY N.P.D.			

FOR CONSTRUCTION

BURNS AND ROE, INC.
ENGINEERS AND CONSTRUCTORS
ORADELL, N. J. HEMPSTEAD, N. Y. LOS ANGELES, CALIF.

ENERGY ABSORBING PANEL LINER LOCATIONS

CONSUMERS PUBLIC POWER DISTRICT COOPER NUCLEAR STATION

454004654

DRAWN BY J.M.H. ROAD LMR. R.C.WOOD
CHECKED BY R.W. DATE 7-21-73 SCALE N=1/4"

APPROVED FOR CONSTRUCTION
W.O. 2520
FOR CHIEF CIVIL ENGINEER DWG. 4286