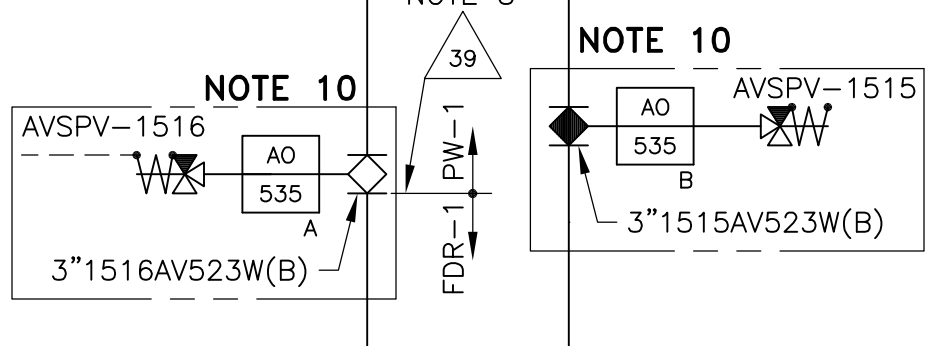
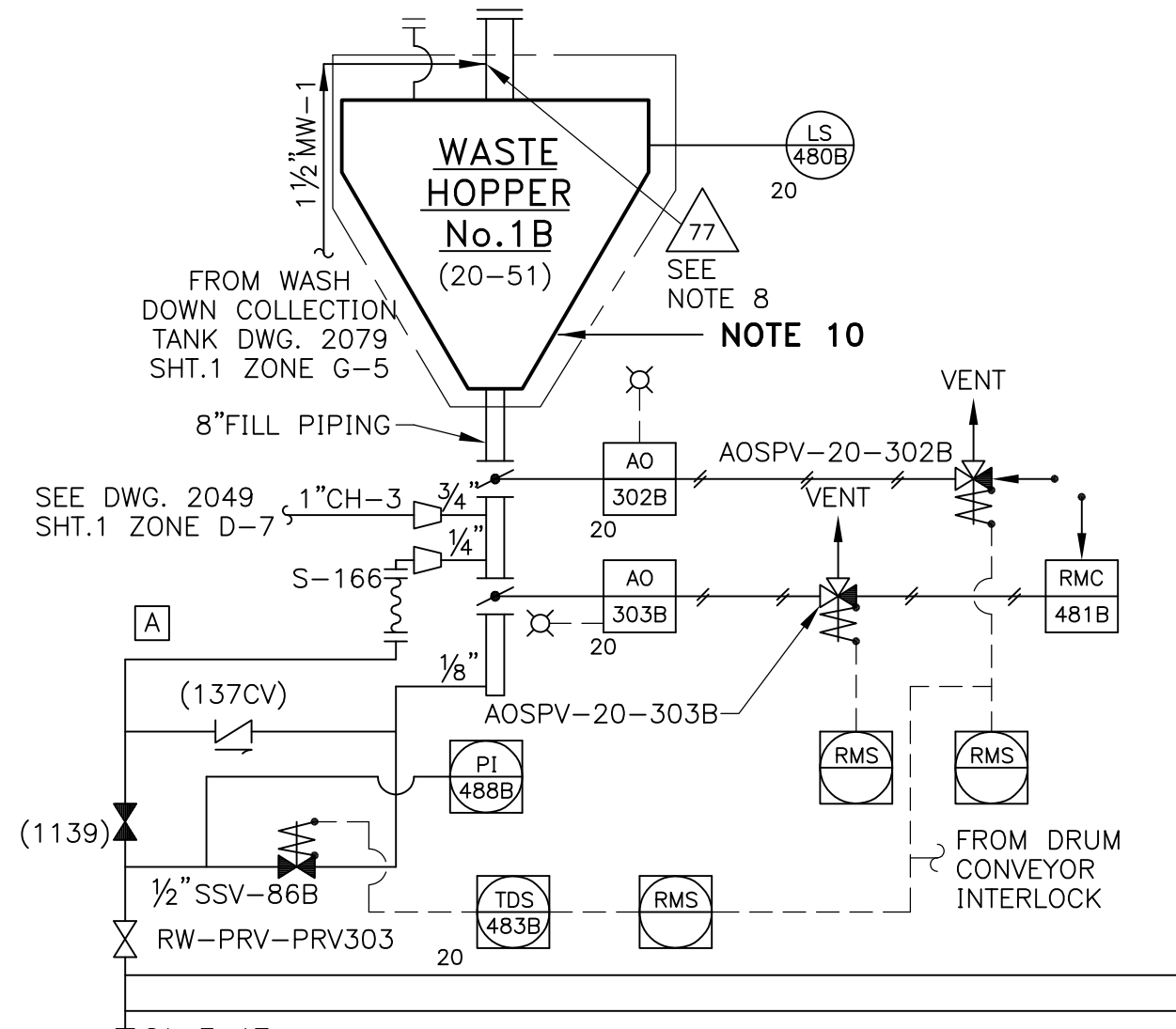
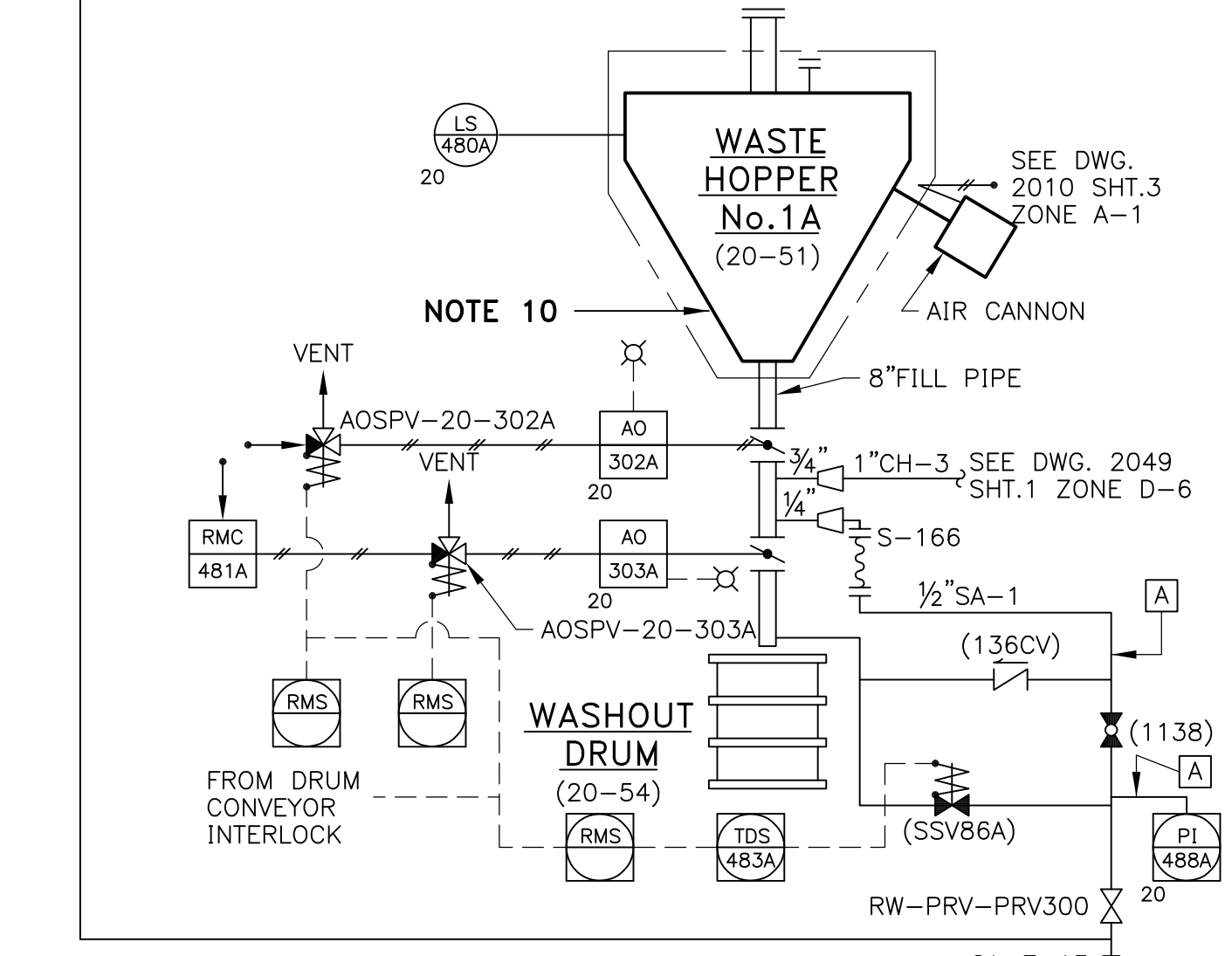


DWG. 2032 SH. 5 ZONE E-10
 DWG. 2032 SH. 5 ZONE C-11
 DWG. 2032 SH. 5 ZONE B-12



FOR NOTES SEE SHT. 1
 NOTE: ALL ITEMS MARKED THUS [AO] ARE "AS BUILT" ITEMS AND ARE NOT SHOWN ON PIPING DRAWINGS.

REVISIONS TO THIS DRAWING
 REQUIRES A REVISION TO THE
 CORRESPONDING ISOKEY.

VERSIONS/REVISIONS BY NPPD					
NO.	DESCRIPTION	ORDER	DATE	ENG.	
AB/7/18	DR-2013-0599 (DCN 13-2063)	6014761	DJB	08/24/18	GEHORN
AC/7/18	DR-2012-0085	504399	DJB	09/20/12	JACKS

SIGNIFICANT NUMBER		GROUP	1	2	3	4	5	6
DRAWN		DATE	3/29/01					
CHECKED		DATE						
APPROVED		DATE						
FILMED		DATE						

FLOW DIAGRAM
HIGH CONDUCTIVITY (FLOOR DRAINS)
CHEMICAL AND LAUNDRY WASTE) PROCESS
COOPER NUCLEAR STATION

AS BUILT
BURNS & ROE
2032 SH 3

454003673

STATUS: Release
 STATUS DATE: 09/02/2021
 DS APPROVED: J1JACKS
 VER: AC REV: 16 SIZE: F

DWG NO. C0017993