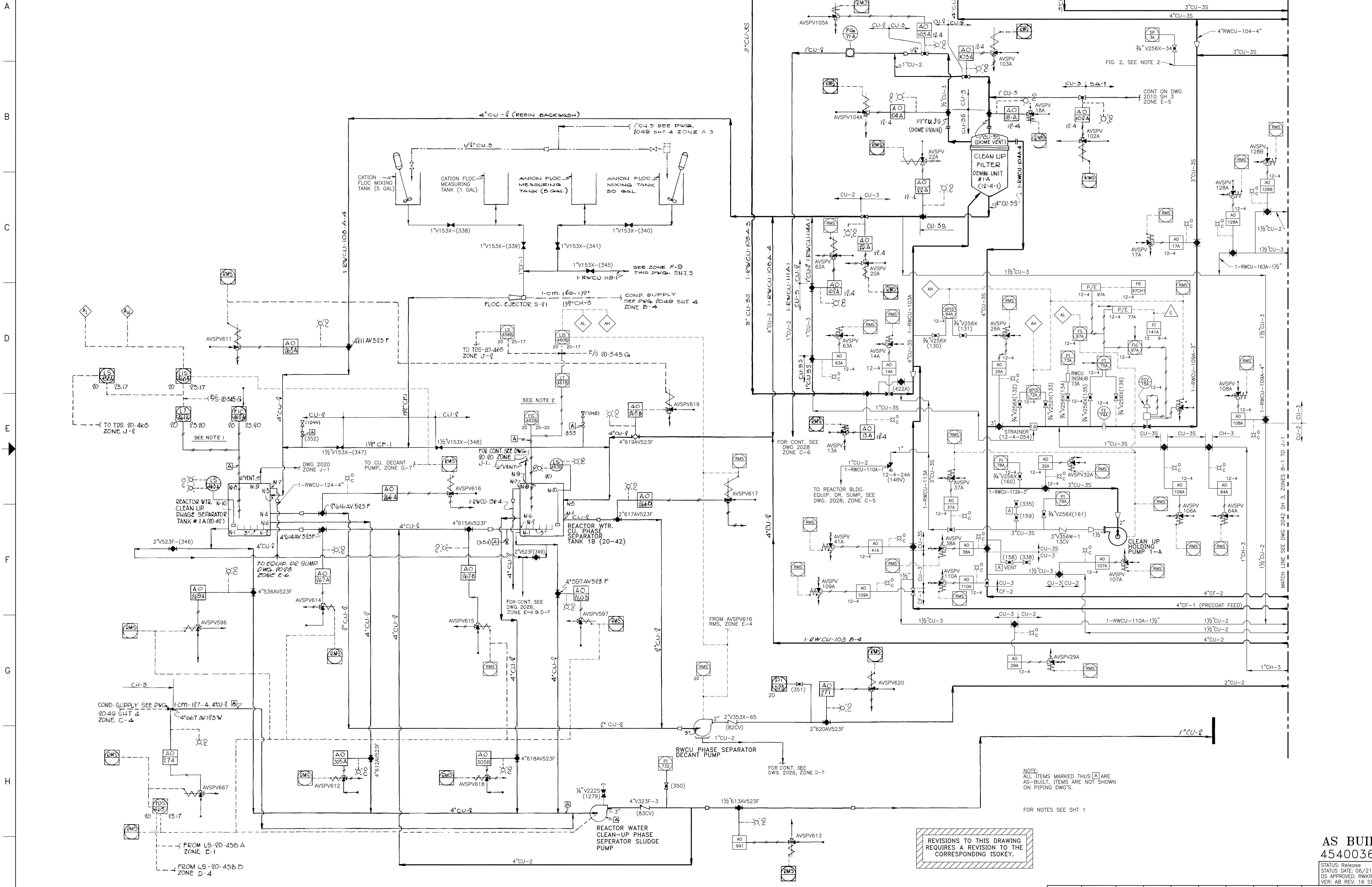


NOTE 1 - SEE DETAIL "A" SHEET 4
 NOTE 2 - SEE DETAIL "B" SHEET 4

MATCHLINE SEE DWG 2042 SHT 1 ZONES F-7 TO F-10



NOTE:
 ALL ITEMS MARKED THUS [A] ARE AS-BUILT. ITEMS ARE NOT SHOWN ON PIPING DWG'S.

REVISIONS TO THIS DRAWING
 REQUIRES A REVISION TO THE
 CORRESPONDING ISOKEY.

AS BUILT
 454003683

STATUS: Release
 STATUS DATE: 06/21/2021
 DS APPROVED: RWKRAUS
 VER: AB REV: 16 SIZE: F

VERSIONS/REVISIONS BY NPPD			
NO.	DESCRIPTION	ORDER DFTI	DATE
AB/18	DR-2020-0372	5345657	DJB/06/21/2020

SIGNIFICANT NUMBER	1	2	3	4	5	6
	GROUP					
DRAWN	HFY	DATE	07/25/02			
	CHECKED	DATE				
APPROVED	DATE					BURNS & ROE
	BY					
FILMED	DATE					2042 SH 2
	BY					

COOPER NUCLEAR STATION
 FLOW DIAGRAM
 REACTOR WATER
 CLEAN UP SYSTEM

00017942