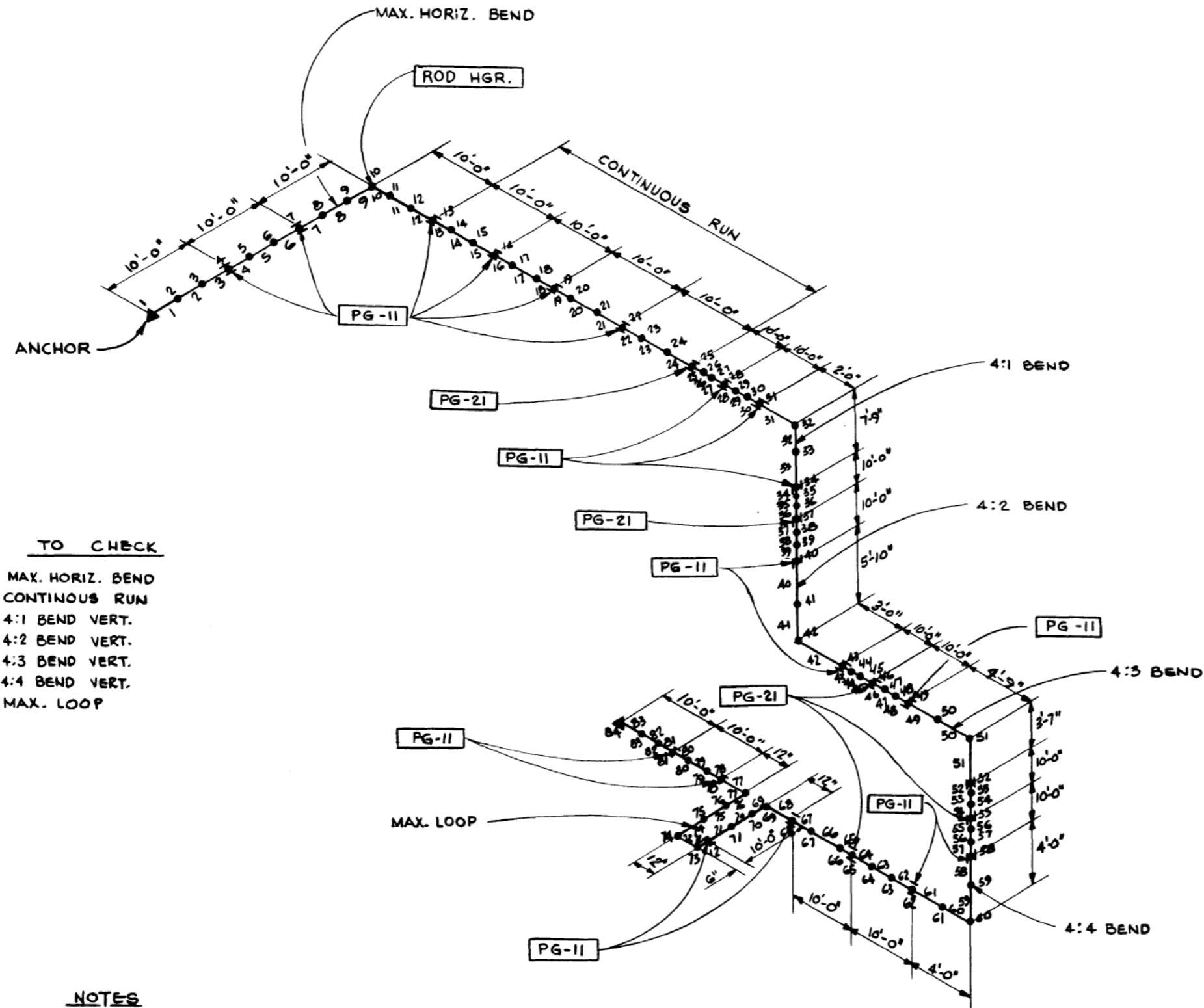


Security Related Information Withheld under 10 CFR 2.390



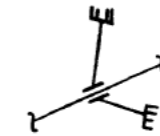
SEISMIC DATA	
TEMP.	—
SUP. GUIDE	10'-0"
SUP.	10'-0"
INDEX	—

PIPE 1 1/2" SCH 80
 PIPE WGT. = 3.63
 WTR. = 0.766
 INSUL = 0.69
 TOTAL = 5.086 LB/FT

MATERIAL A-106 GR B	
TEMP. °F / PRESS. PSI	— / —
MOD OF ELAS E, PSI	29 000 000
EXP. COEFF IN 100 FT.	—
EXP. COEFF MILLIN	—
LINE OD (N)	1.9"
LINE THICKNESS (N)	0.2"

TO CHECK

- 1) MAX. HORIZ. BEND
- 2) CONTINUOUS RUN
- 3) 4:1 BEND VERT.
- 4) 4:2 BEND VERT.
- 5) 4:3 BEND VERT.
- 6) 4:4 BEND VERT.
- 7) MAX. LOOP



PG-11 - 2 RSNTS



PG-21 - 3 RSNTS

NOTES

1. FTGS. ARE SOCKET WELD - NO FLEXABILITY - USE MITRE ENDS
2. PG-11 IS SEISMIC GUIDE
3. PG-21 IS SEISMIC GUIDE STOP.
4. PIPE fN = 10.0 CPS MIN.
BENDS fN = 10.0 CPS MIN.

42 ELEMENTS

PHILADELPHIA ELECTRIC COMPANY
 PEACH BOTTOM ATOMIC POWER STATION
 UNITS 2 AND 3
 UPDATED FINAL SAFETY ANALYSIS REPORT

SEISMIC ANALYSIS MODEL

FIGURE A.3.1

Security Related Information Withheld under 10 CFR 2.390

Security Related Information Withheld under 10 CFR 2.390

Security Related Information Withheld under 10 CFR 2.390

Security Related Information Withheld under 10 CFR 2.390

Security Related Information Withheld under 10 CFR 2.390

Security Related Information Withheld under 10 CFR 2.390

Security Related Information Withheld under 10 CFR 2.390

Security Related Information Withheld under 10 CFR 2.390

Security Related Information Withheld under 10 CFR 2.390

Security Related Information Withheld under 10 CFR 2.390

Security Related Information Withheld under 10 CFR 2.390

Security Related Information Withheld under 10 CFR 2.390

Figure A10.6a

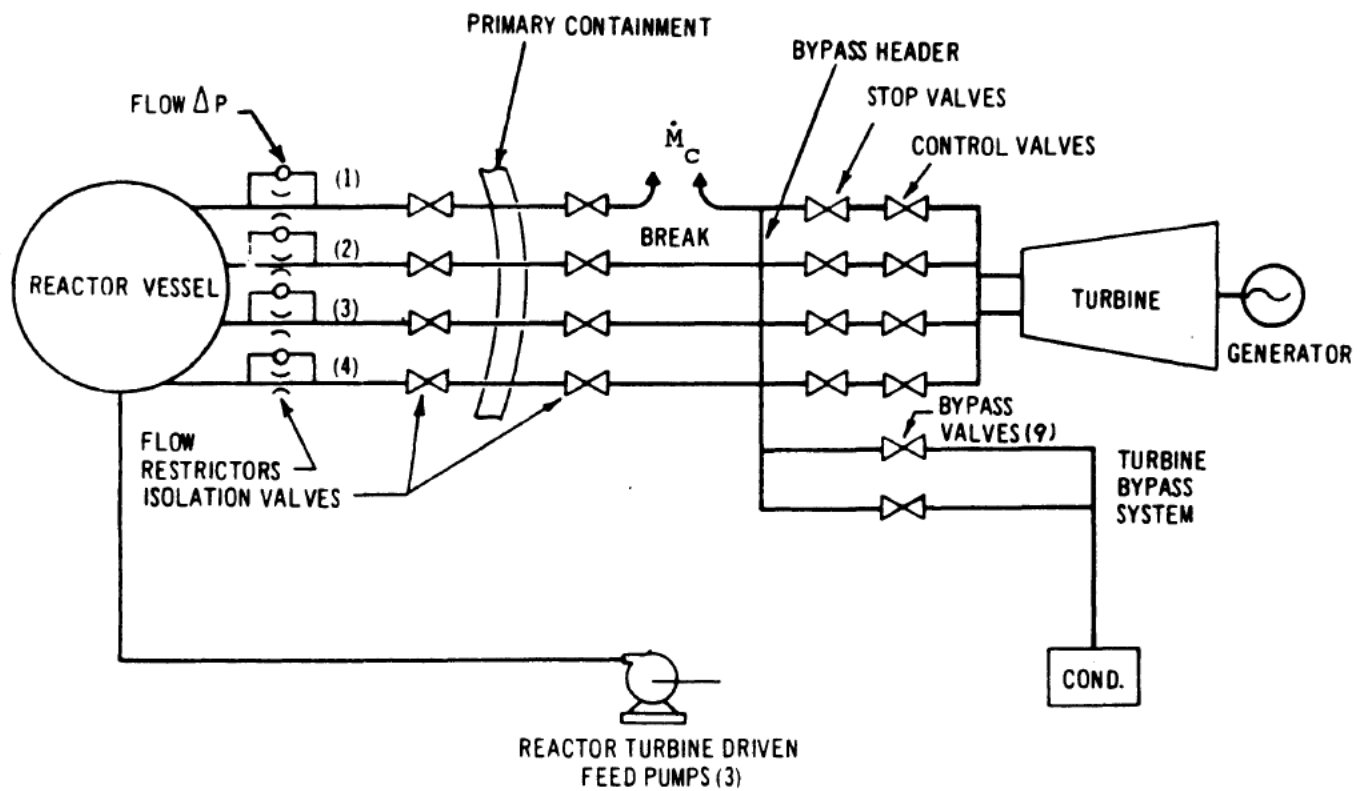
Deleted

Figure A10.12 thru A.10.13

Deleted

Security Related Information Withheld under 10 CFR 2.390

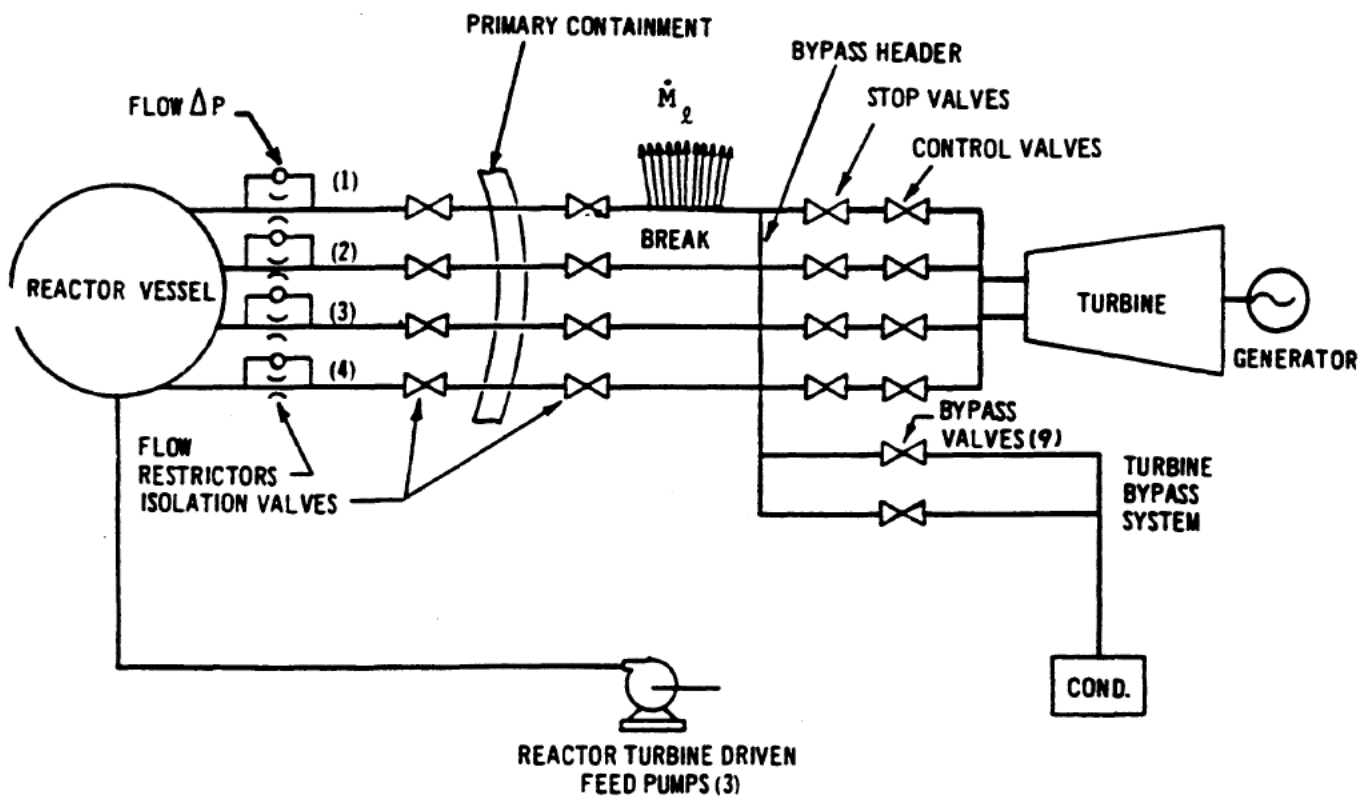
Security Related Information Withheld under 10 CFR 2.390



**PHILADELPHIA ELECTRIC COMPANY
 PEACH BOTTOM ATOMIC POWER STATION
 UNITS 2 AND 3
 UPDATED FINAL SAFETY ANALYSIS REPORT**

**CIRCUMFERENTIAL FAILURE MODEL
 MAIN STEAM SYSTEM**

FIGURE A.10.16



PECO ENERGY COMPANY
 PEACH BOTTOM ATOMIC POWER STATION
 UNITS 2 AND 3
 UPDATED FINAL SAFETY ANALYSIS REPORT

FULL AREA LONGITUDINAL BREAK MODEL
 MAIN STEAM SYSTEM

FIGURE A.10.17 Rev. 15 04/98