

Cabrera Services, Inc. performed radiological surveys in rooftop ductwork for the ventilation system on October 18, 2007 consisting of scans to locate isolated areas of elevated radioactivity and smears for removable radiological contamination (see attached survey form for approximate layout of rooftop ventilation duct room and locations in three different ducts where scan data and smears were collected). Scans were performed using a Ludlum model 2224 scaler-ratemeter with model 43-89 alpha-beta scintillation probe, and a Ludlum model 3 ratemeter with model 44-9 Geiger-Mueller detector. These scans constituted 100% coverage of accessible surfaces from door access points illustrated on the attached survey form.

A single elevated count was noted in Duct 1 on the front baffle (called "Bias location 1," i.e., D1B1) using the 2224/43-89 (beta count rate increased from approximately 230 counts per minute [cpm] to 450 cpm) and was confirmed using the 3/44-9 (count rate increased from approximately 50 cpm to 200 cpm). The 2224/43-89 scaler mode was utilized to collect a one-minute direct measurement of 5 counts alpha, 560 counts beta. This location was smeared for removable radiological contamination, and then re-scanned, at which time elevated radioactivity could no longer be located. This smear was counted for one minute using a Ludlum model 2929 smear counter with 43-10-1 alpha-beta scintillation probe; counts were noted to be consistent with background. It is difficult to determine the precise cause of this noted spike in radioactivity, but it has been attributed to the presence of radon that was dispersed or displaced by the collection of the smear.

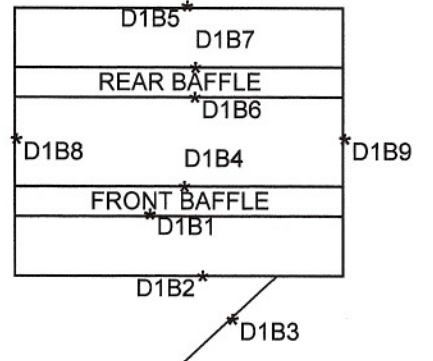
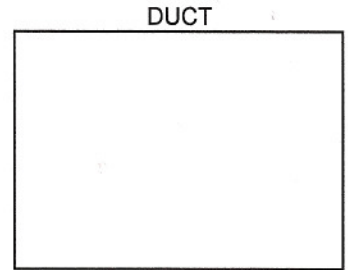
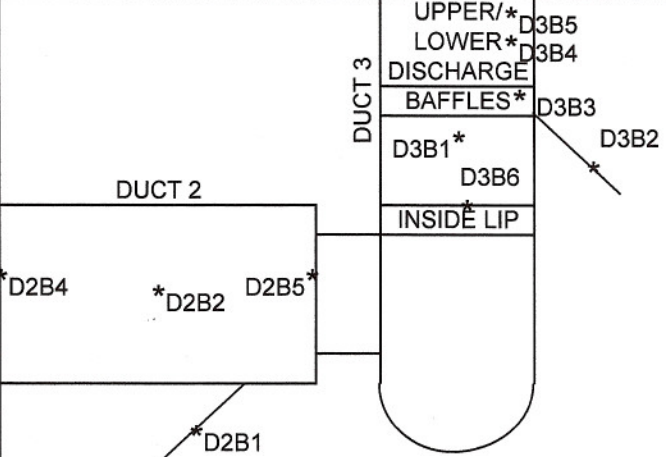
Twenty total locations were flagged as Bias locations for collecting smears, all of which were counted and noted to be consistent with background. These locations were then revisited to collect one-minute direct measurements using the 2224/43-89 in scaler mode on October 22, 2007. These results were also noted to be consistent with background. All of these results are included in the attached survey form. Based on these results, Cabrera concludes that no further action is required for the rooftop ductwork for the ventilation system, and that dismantling or cutting of these ducts may proceed without the need for radiological controls or oversight.

OP-001-02 RADIOLOGICAL SURVEY SHEET (rev 1)

Location: Rooftop Airduct System	RWP# N/A	Survey # EML-15	Survey Type: Investigation survey
Site: DHS EML			pg. 1 of 1

Smear Results			Direct Results		
DPM/100cm ²			DPM/100cm ²		
No.	α	β	No.	α	β
D1B1	2.4	-53	D1B1	35	321
D1B2	-0.4	41	D1B2	15	76
D1B3	-0.4	8	D1B3	10	312
D1B4	-0.4	-25	D1B4	40	671
D1B5	-0.4	-9	D1B5	30	397
D1B6	-0.4	-3	D1B6	0	217
D1B7	-0.4	47	D1B7	35	454
D1B8	2.4	-25	D1B8	25	728
D1B9	-0.4	36	D1B9	30	491
D2B1	-0.4	-9	D2B1	5	501
D2B2	2.4	-3	D2B2	5	992
D2B3	8.2	-14	D2B3	30	699
D2B4	-0.4	14	D2B4	15	633
D2B5	-0.4	63	D2B5	20	926
D3B1	-0.4	36	D3B1	20	869
D3B2	2.4	-9	D3B2	10	331
D3B3	-0.4	8	D3B3	5	501
D3B4	-0.4	41	D3B4	5	926
D3B5	-0.4	2	D3B5	15	576
D3B6	2.4	19	D3B6	20	746

Comments



Surveyed By:	Date:	Instrument	Serial #	α Eff.	β Eff.	α Bkg.	β Bkg	Cal. Due	Key			
<i>Nicholas A. Berlin</i>	10/18/2007	2929	142645	-	-	-	-	9/21/2008				
	10/18/2007	43-10-1	PR 156519	0.349	0.182	3	651	9/21/2008	<input type="checkbox"/>	Smear	*-*	Boundary
	10/22/2007	2224	110002	-	-	-	-	7/30/2008	<input type="checkbox"/>	Dose Rate mrem/hr	■	A/S Location
	10/22/2007	43-89	164832	0.159	0.072	3	238	7/30/2008				
Reviewed By:	Date:								*	Direct Reading CPM/100 cm ²		
<i>[Signature]</i>	11/2/07								△	Grab Sample		