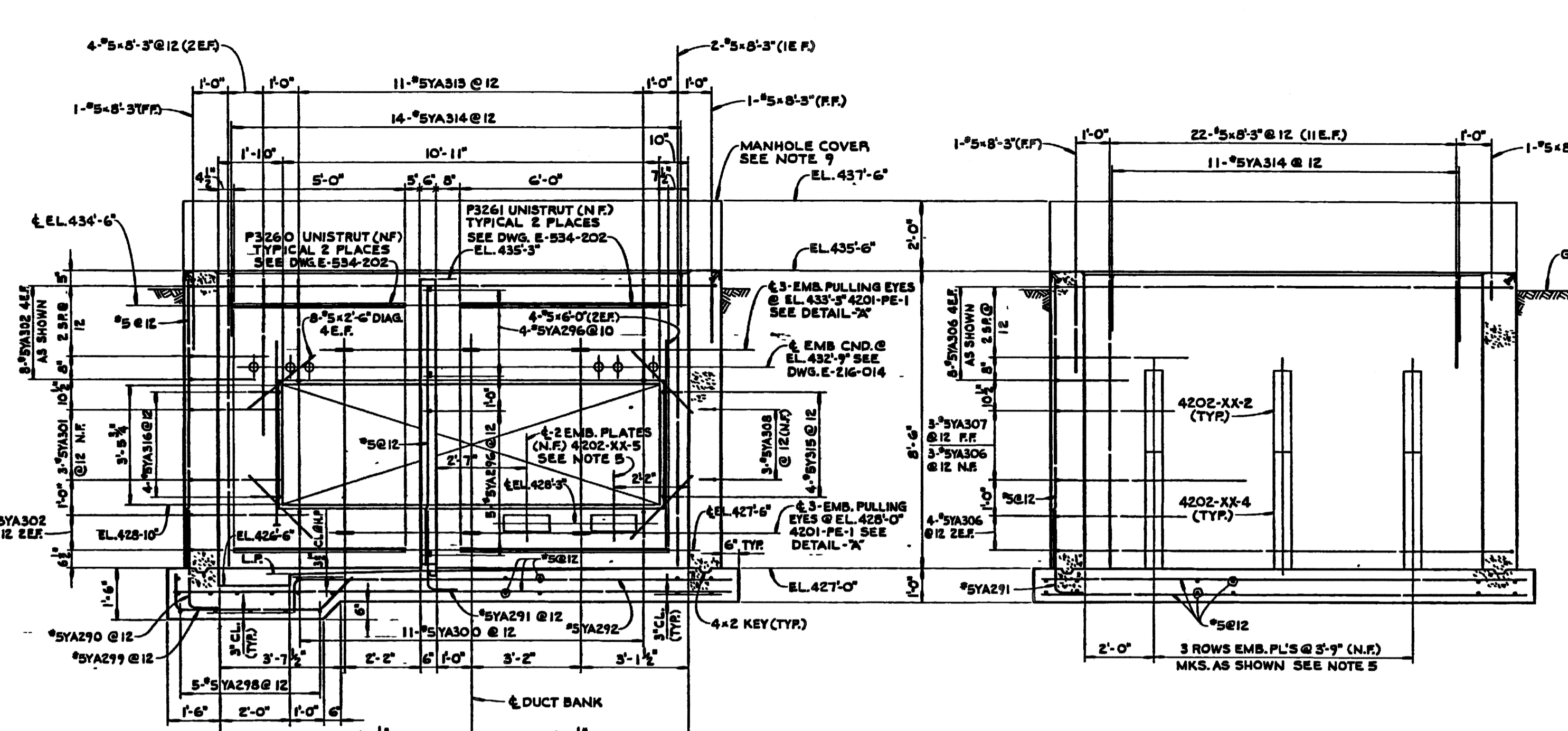
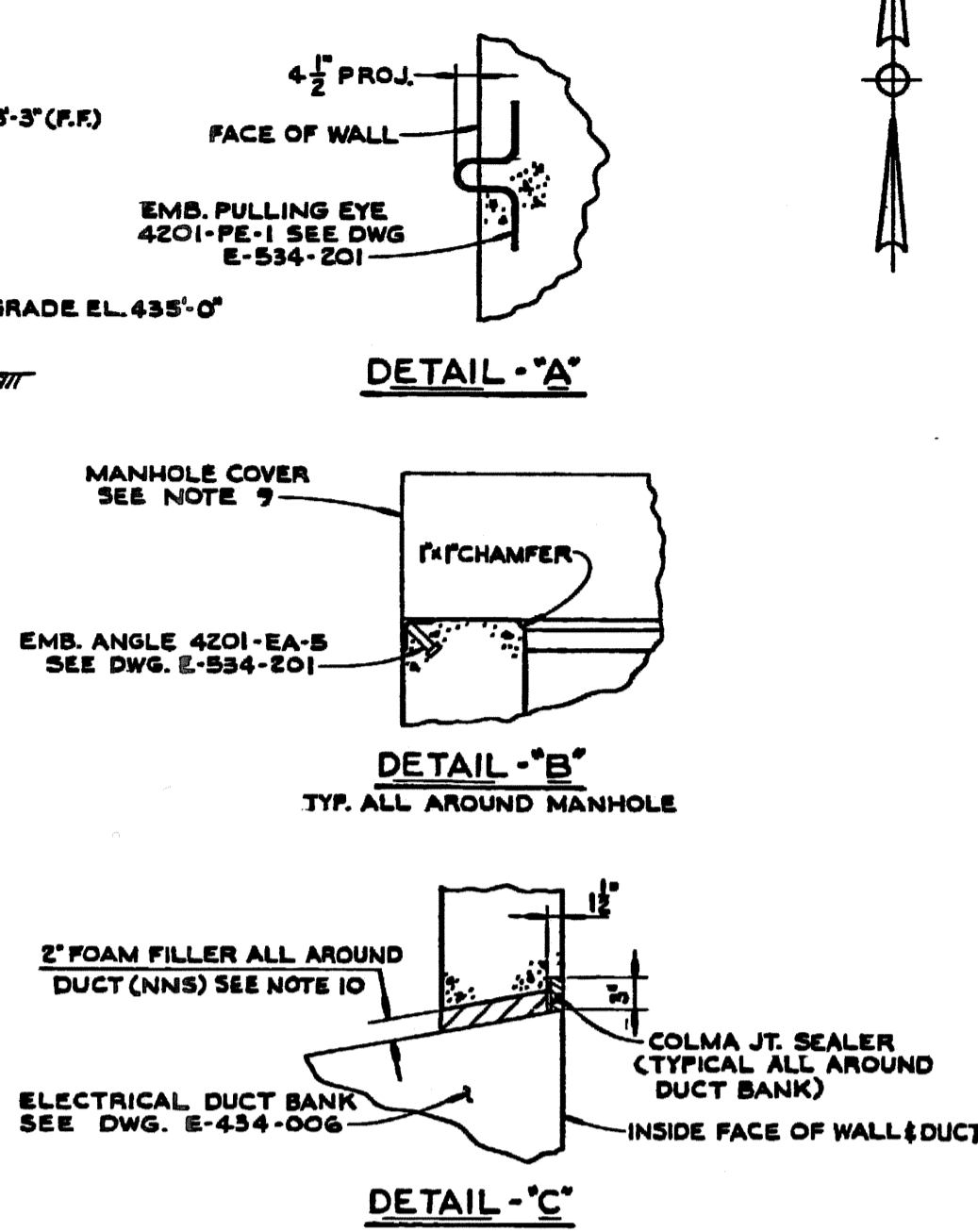


**SECTIONAL PLAN-DOWEL PLACEMENT  
 ELECTRICAL MANHOLE (EMH0002)**  
 FOR MANHOLE LOCATION SEE DWG. E-216-014



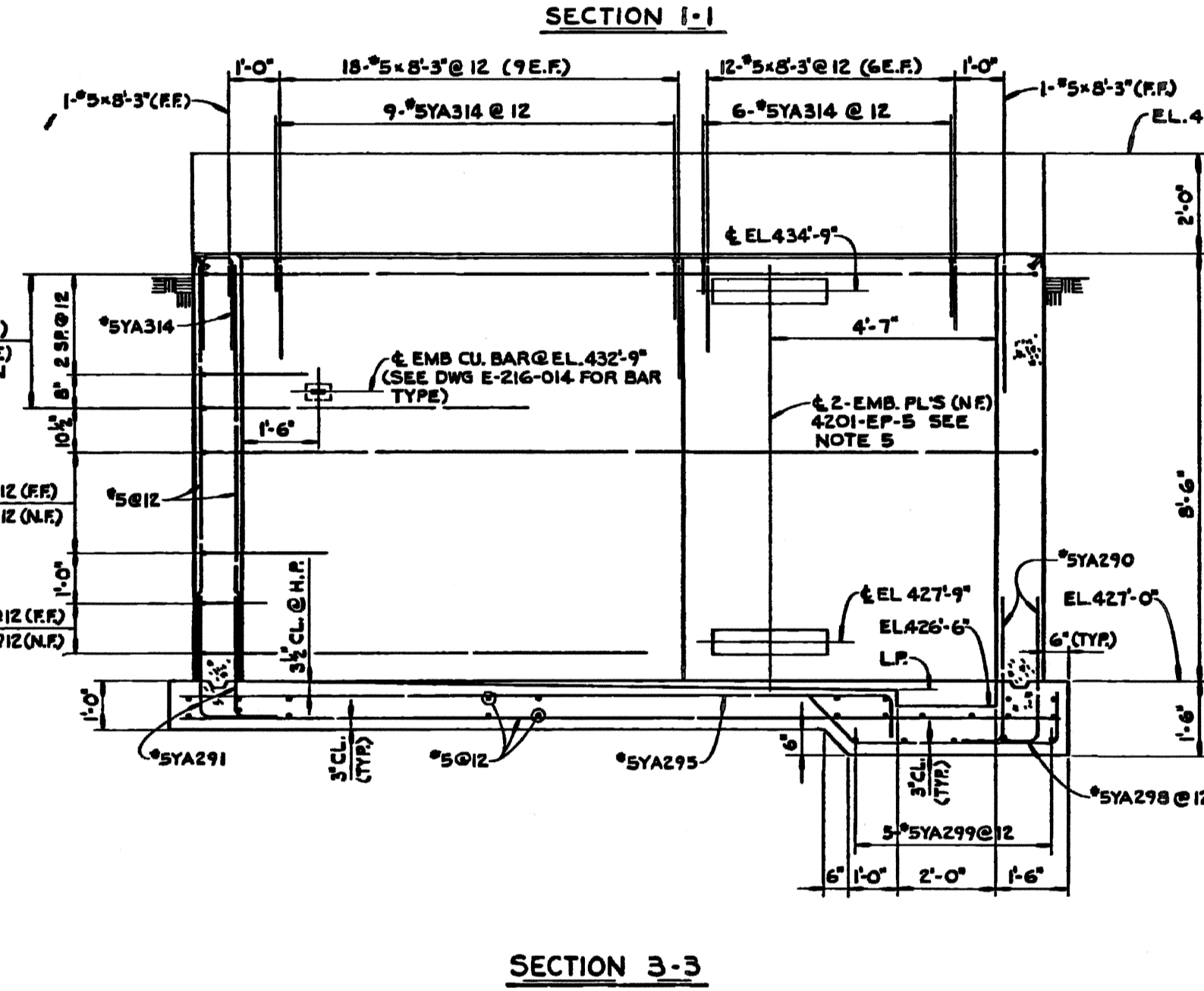
**SECTION 2-2**



**DETAIL -A-**

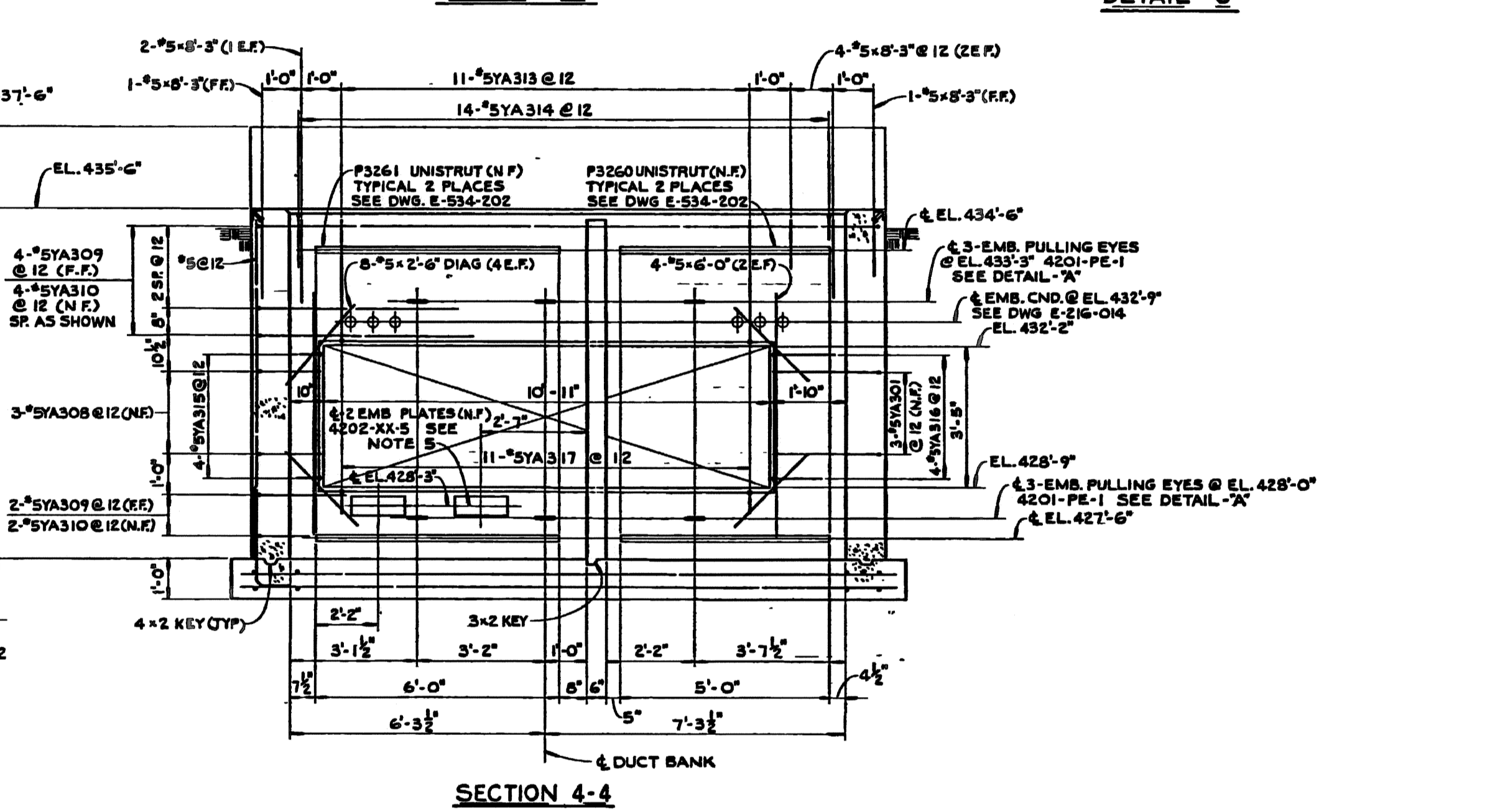
**DETAIL -B-**

**DETAIL -C-**

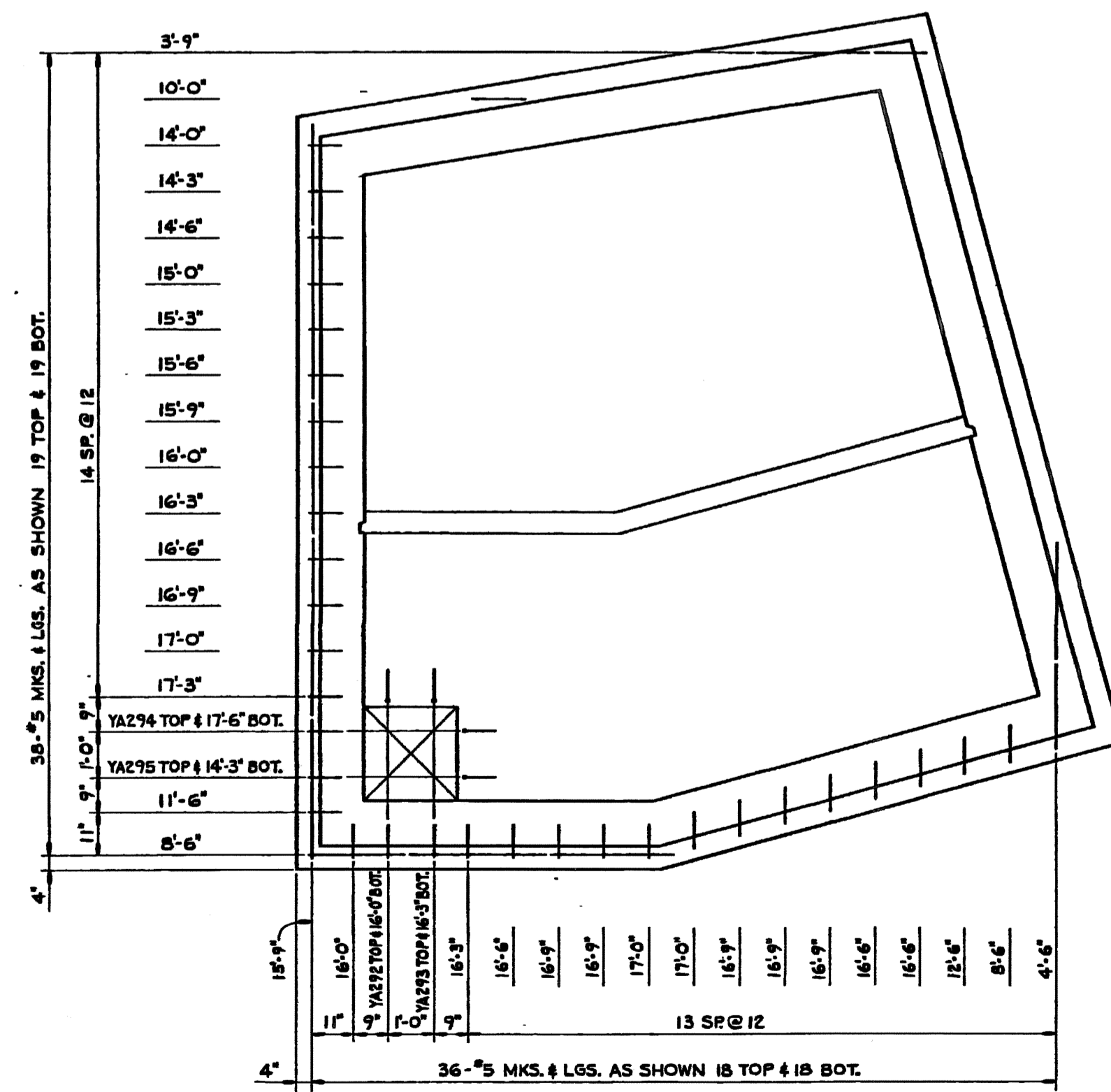


**SECTION 1-1**

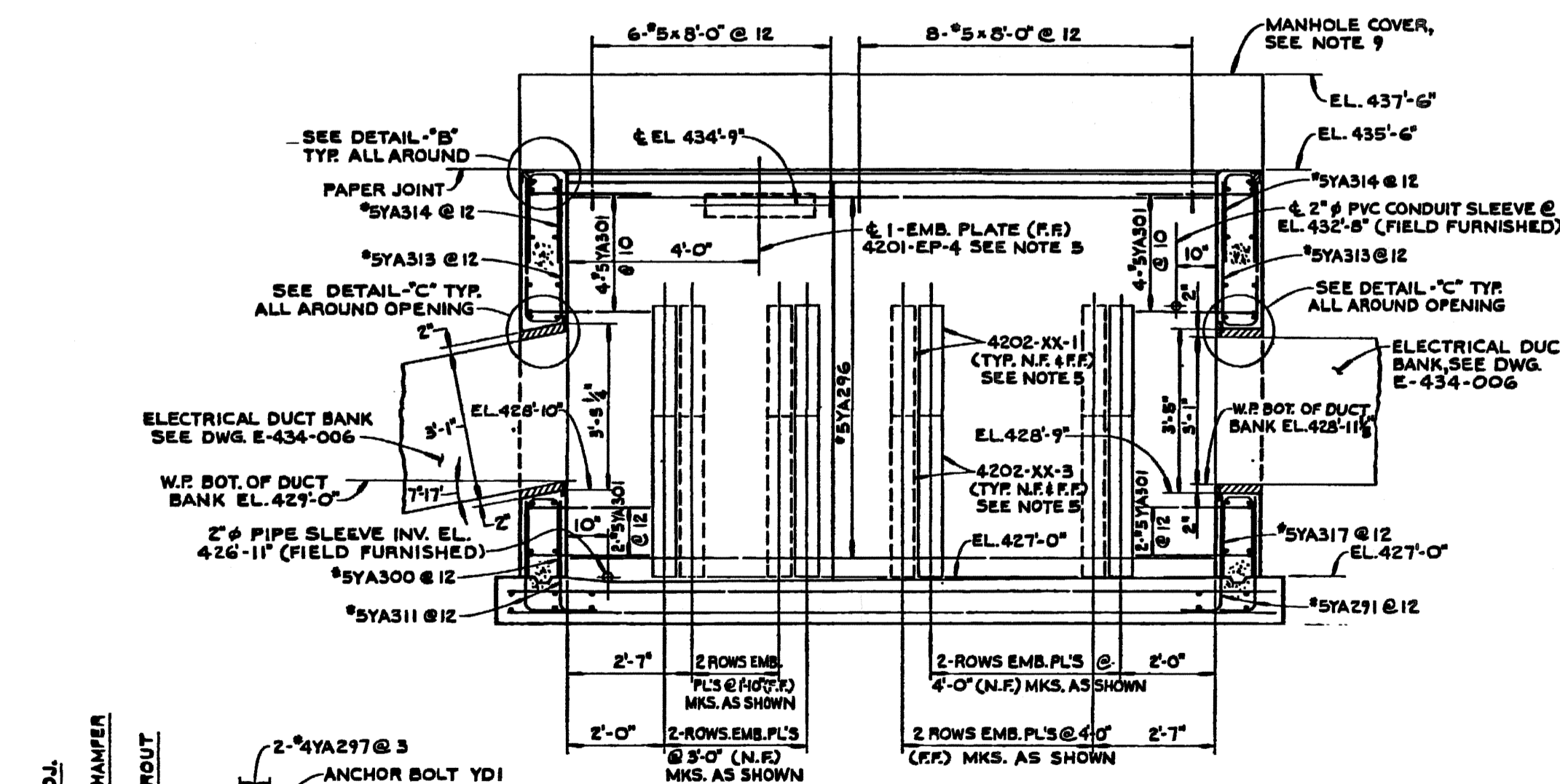
**SECTION 3-3**



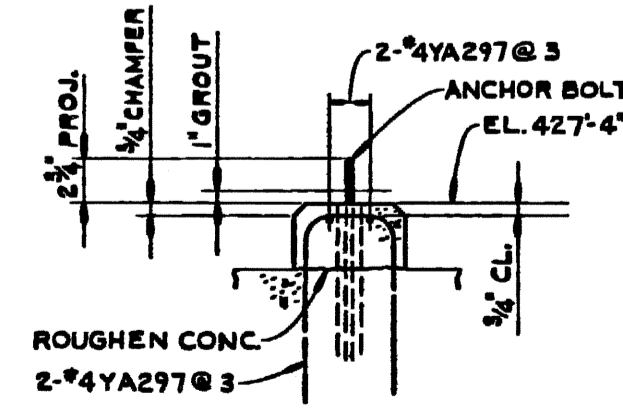
**SECTION 4-4**



**SLAB PLAN**



**SECTION 5-5**



**SECTION 6-6  
 TYPICAL 2 PLACES**

- NOTES:**
1. THE CONCRETE WORK ON THIS DRAWING IS NUCLEAR SAFETY CLASS (NSC). FOR SAFETY CLASS DESIGNATIONS OF EMBEDDED ITEMS, SEE REFERENCED DRAWINGS FOR ITEMS WHICH ARE NON-NUCLEAR SAFETY (NNS). SPECIFICATION 701-4401-00 IS NOT APPLICABLE.
  2. QUALITY ASSURANCE PROGRAM REQUIREMENTS 04-1. SEE GAI SPECIFICATION QUALITY ASSURANCE PROGRAM REQUIREMENTS SP-701-4401-00.
  3. STRUCTURAL CONCRETE TO BE IN ACCORDANCE WITH GAI SPECIFICATION, STRUCTURAL CONCRETE SP-201-4401-00.
  4. STRUCTURAL CONCRETE TO HAVE A MINIMUM COMPRESSIVE STRENGTH OF 3000 PSI IN 28 DAYS.
  5. ALL EMBEDDED PLATES AND UNISTRUTS TO BE MOUNTED FLUSH WITH FACE OF WALL (N.F. AND/OR F.F.), UNLESS OTHERWISE NOTED. FOR EMBEDDED PLATE AND UNISTRUT DETAILS, SEE DRAWINGS E-534-201 AND E-534-202.
  6. PLACING TOLERANCES ON EMBEDDED PLATES AND UNISTRUTS TO BE 21" UNLESS OTHERWISE NOTED.
  7. PLACING OF REINFORCING STEEL TO BE IN ACCORDANCE WITH GAI SPECIFICATION, PLACING OF REINFORCING STEEL SP-202-4401-00.
  8. FABRICATION OF REINFORCING BARS TO BE IN ACCORDANCE WITH GAI SPECIFICATION, FABRICATION AND DELIVERY OF REINFORCING STEEL SP-304-4401-00.
  9. MANHOLE COVER TO BE CAST IN PLACE, REMOVED, AND INSTALLED AFTER CABLES HAVE BEEN PULLED, SEE DRAWING E-434-014.
  10. FOAM FILLER TO BE "SERVICISED CLOSED CELL PLASTIC FOAM FILLER" BY GRADE CONSTRUCTION MATERIALS COMPANY OR EQUAL.
  11. H.P. INDICATED IS HIGH POINT OF FLOOR EL. 427'-4", UNLESS NOTED OTHERWISE.
  12. L.P. INDICATED IS LOW POINT OF FLOOR EL. 426'-10", UNLESS NOTED OTHERWISE.

- REFERENCES:**
- E-216-014 ELECTRICAL - DUCT RUNS FOR DIESEL GENERATOR CIRCUITS TO SERVICE WATER INTAKE STRUCTURE
  - E-434-006 MISCELLANEOUS OUTDOOR STRUCTURES - YARD DUCT RUN - TURBINE BUILDING TO SERVICE INTAKE STRUCTURE
  - E-434-014 MISCELLANEOUS OUTDOOR STRUCTURES - YARD DUCT RUN - COVERS - ELECTRICAL MANHOLES (EMH0002 AND EMH0007)
  - E-534-201 MISCELLANEOUS OUTDOOR STRUCTURES - MISCELLANEOUS STEEL - EMBEDDED STEEL DETAILS
  - E-534-202 MISCELLANEOUS OUTDOOR STRUCTURES - MISCELLANEOUS STEEL - EMBEDDED STEEL DETAILS
  - S-424-004 REINFORCEMENT LIST
  - S-424-007 REINFORCEMENT LIST
  - S-423-132 ANCHOR BOLT LIST

THIS IS A  
 NUCLEAR SAFETY RELATED  
 DOCUMENT. NO DEVIATION SHALL BE  
 INITIATED OR PERFORMED WITHOUT PRIOR  
 DOCUMENTATION AND WRITTEN APPROVAL

**FSAR Figure 8.3-2f**

SOUTH CAROLINA ELECTRIC & GAS COMPANY

VIRGIL C. SUMNER NUCLEAR STATION

MISCELLANEOUS OUTDOOR STRUCTURES

YARD DUCT RUN

ELECTRICAL MANHOLE (EMH0002)

DESIGN ENGINEERING

Y.C. SUMNER NUCLEAR STATION, JENKINSVILLE, S.C.

NO.	DATE	BY	REVISION	CKD. BY	APPROVAL
4	11/5/07	JMR	REVISED PER ECR-70674	MGR	GC
3	9/26/07	DDJ	REVISED PER ECR-70028	MGR	DDJ
NO. SCALE					
E-434-007					
					REV

