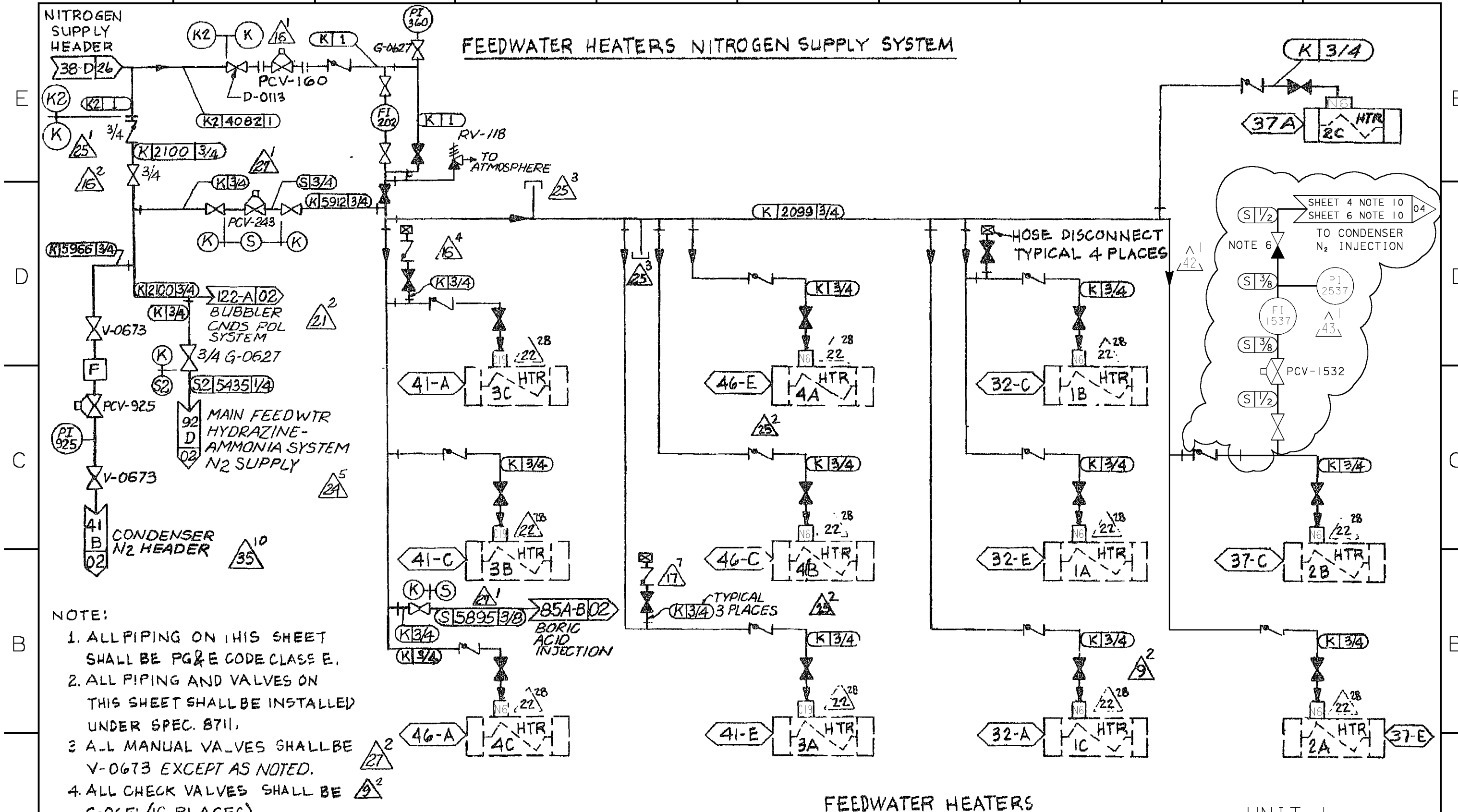


FEEDWATER HEATERS NITROGEN SUPPLY SYSTEM



- NOTE:
1. ALL PIPING ON THIS SHEET SHALL BE PG&E CODE CLASS E.
 2. ALL PIPING AND VALVES ON THIS SHEET SHALL BE INSTALLED UNDER SPEC. 8711.
 3. ALL MANUAL VALVES SHALL BE V-0673 EXCEPT AS NOTED.
 4. ALL CHECK VALVES SHALL BE C-0651. (16 PLACES)
 5. HOKE 0.125 METERING VALVE (NO I.D. NUMBER) 79-D 31'
 6. REGULATING VALVE, WHITEY SS-6NRF4 78-D 43'

P G & E CO.		102005	REV. 43
SHEET 7	PAGE 0		

CAD User: RHSI Date: 3-25-1999
 DGN=1020057.DGN
 RASTER=1020057.TIF

3/25/99	RHSI	RXG2	-	ALAN GLEN BARTA	ELECTRICAL	E 9271	9/30/2001	Revised per FCT 023236
DATE	DWN	RE	IV	PROFESSIONAL ENGINEER	PE DISC.	PE#	PE EXP.	