

A

B

C

D

E

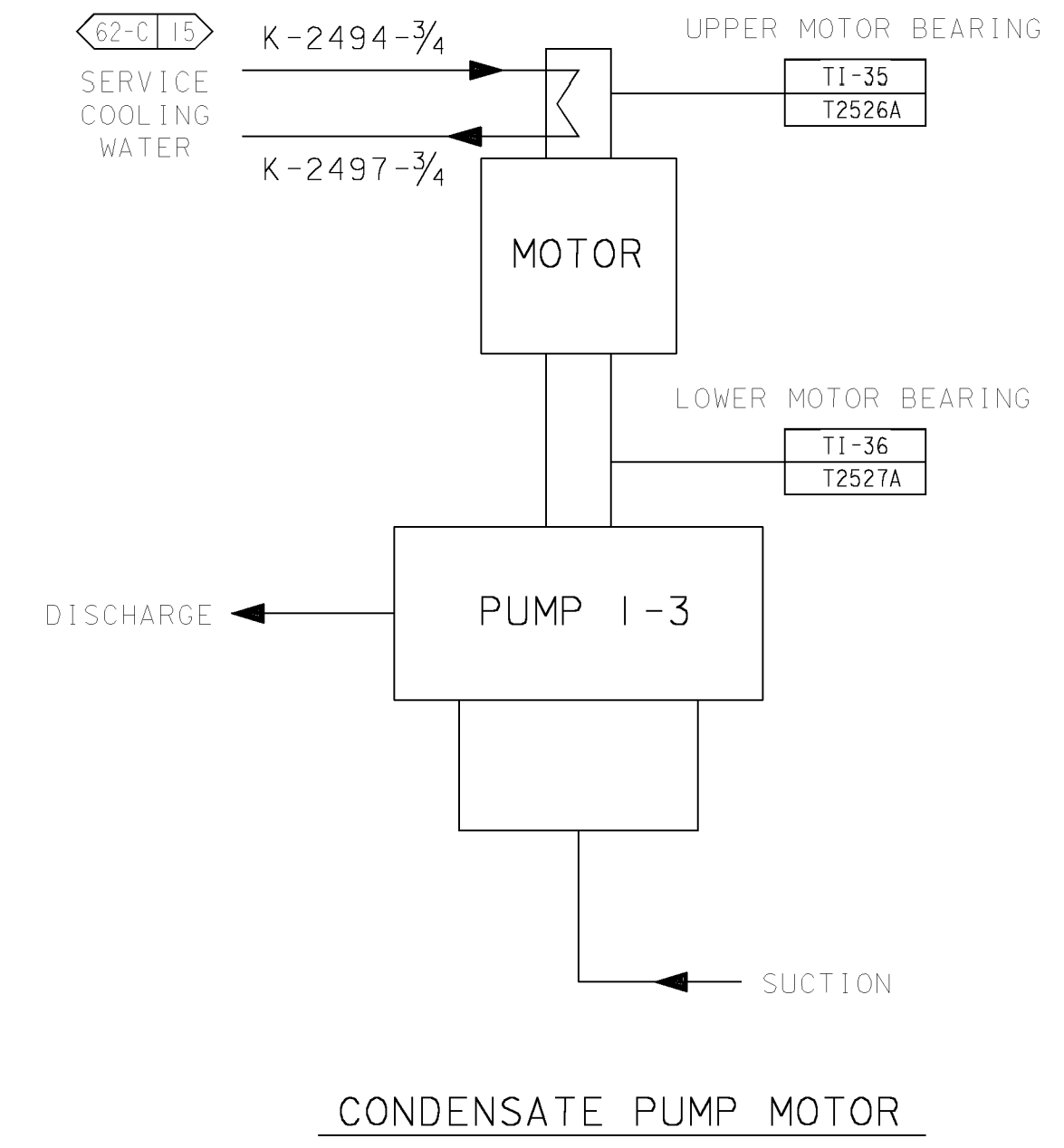
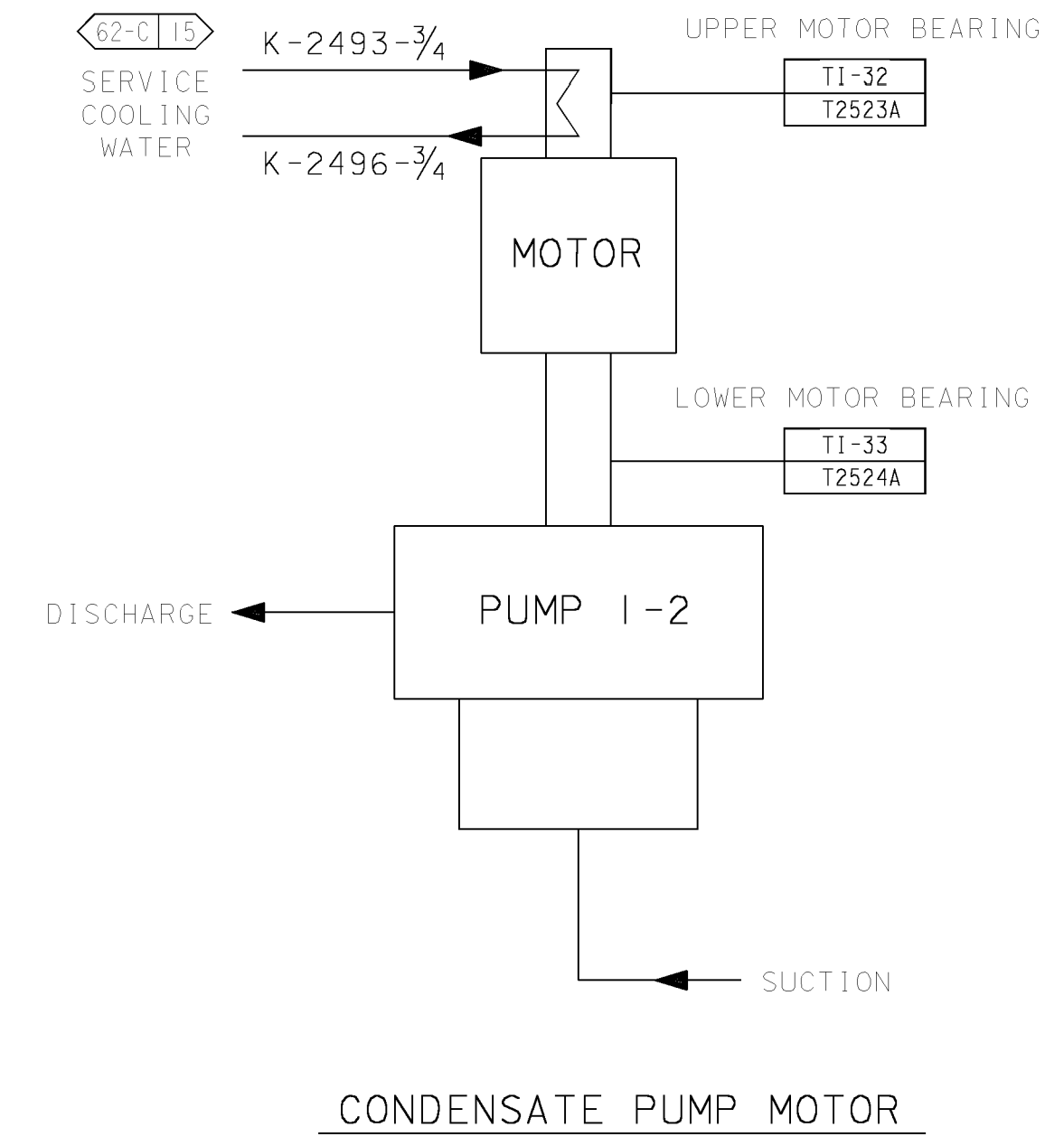
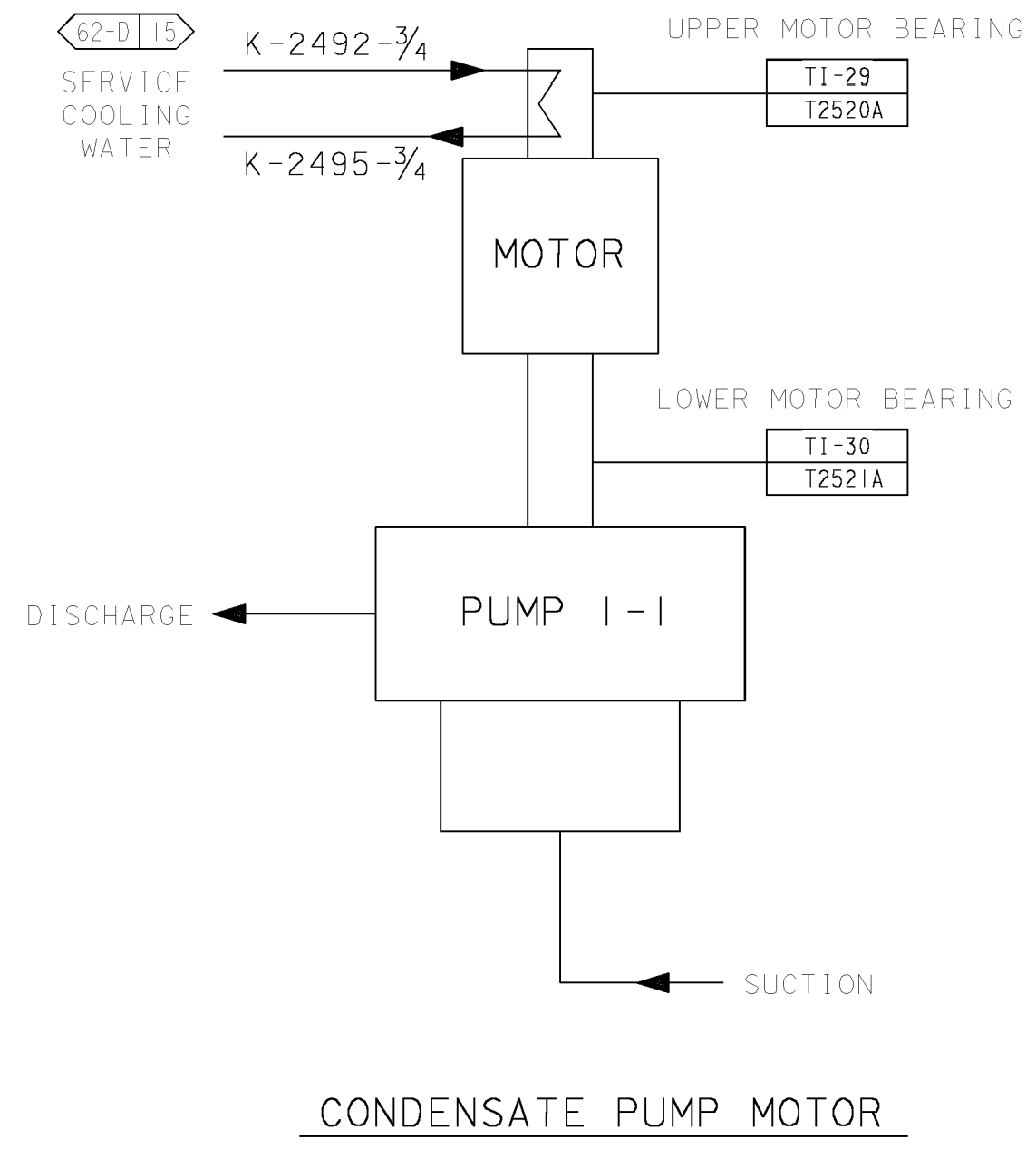
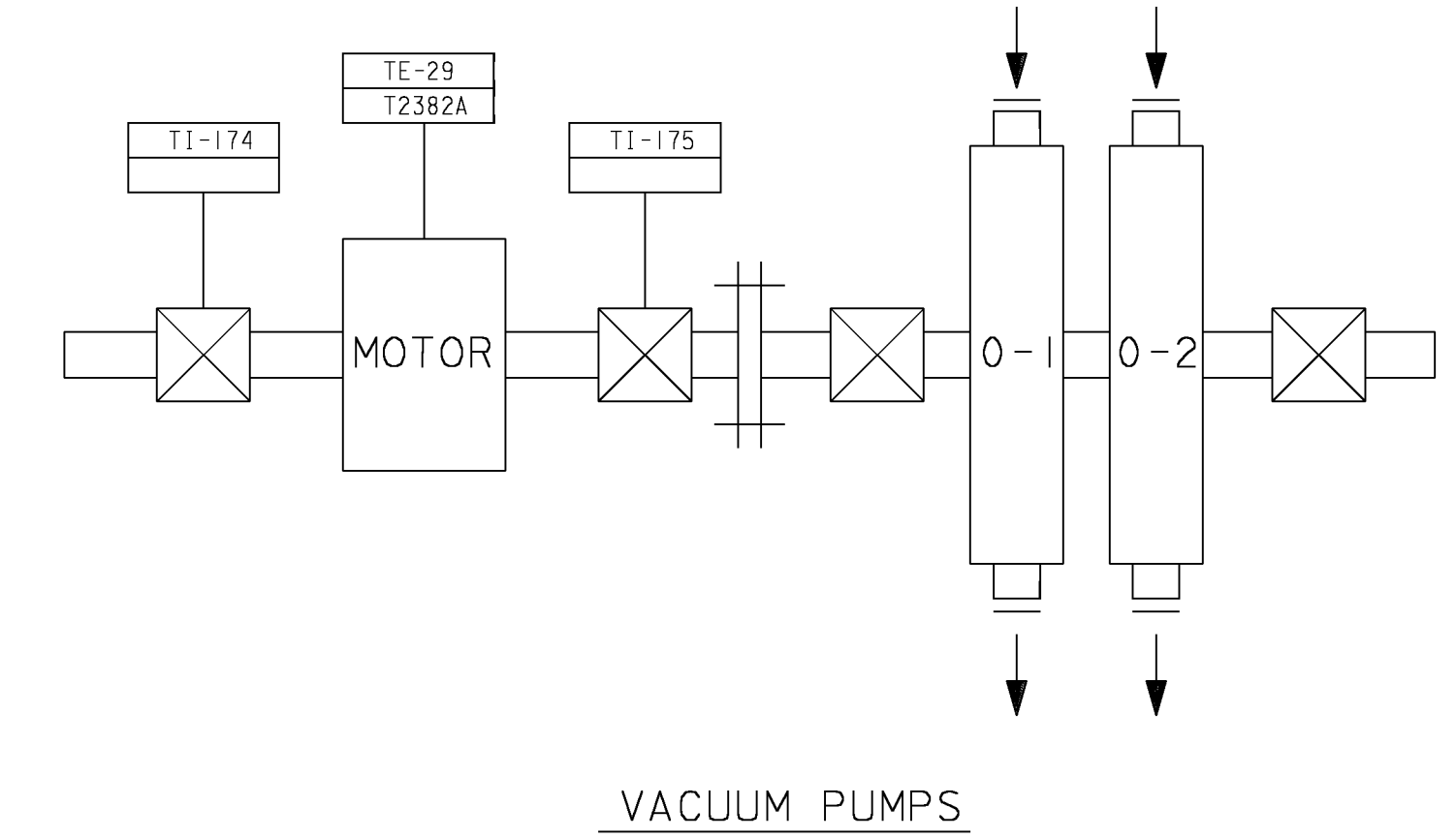
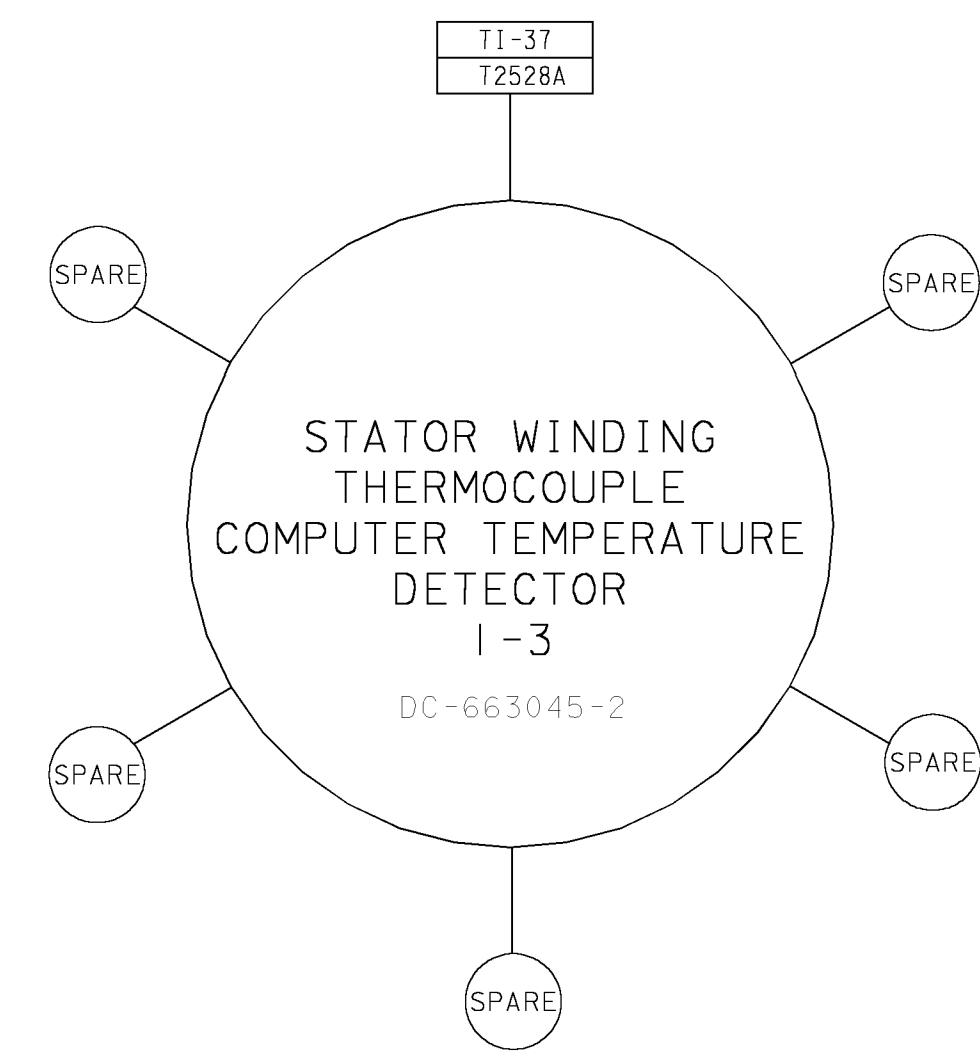
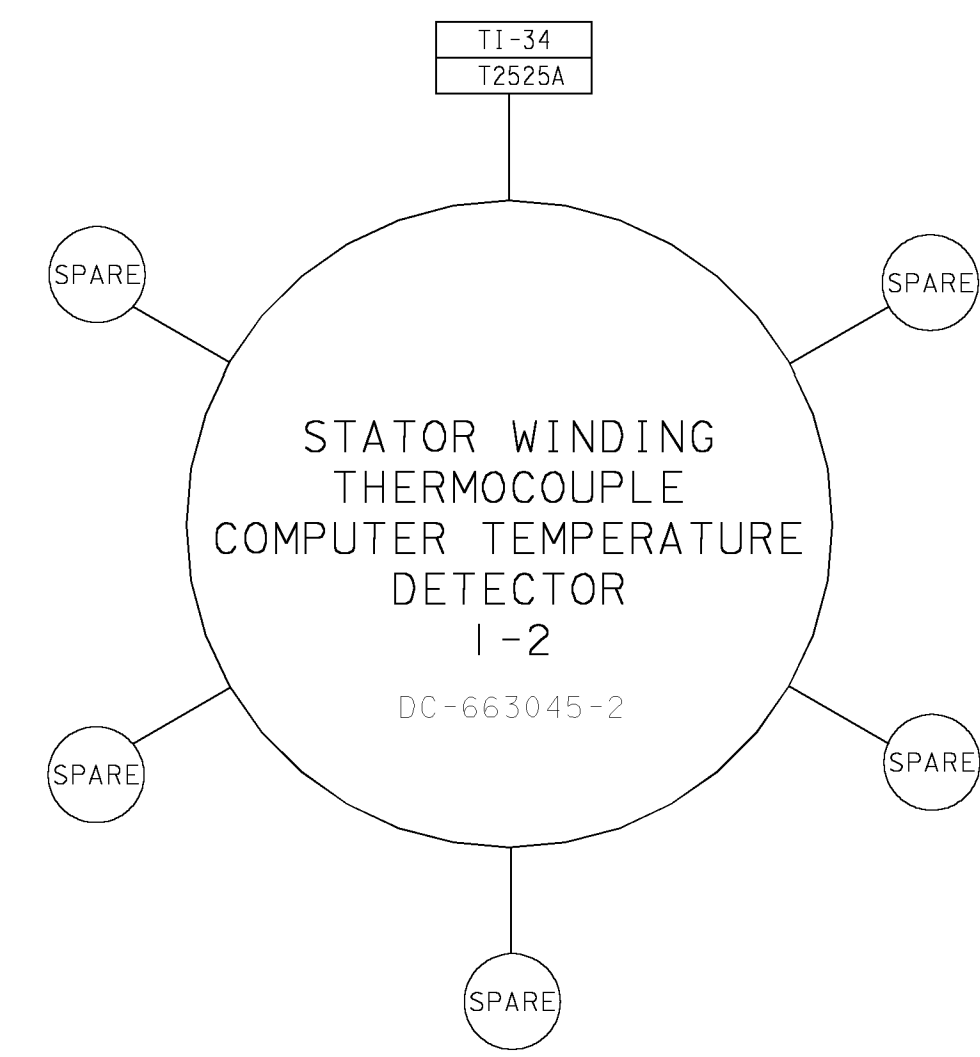
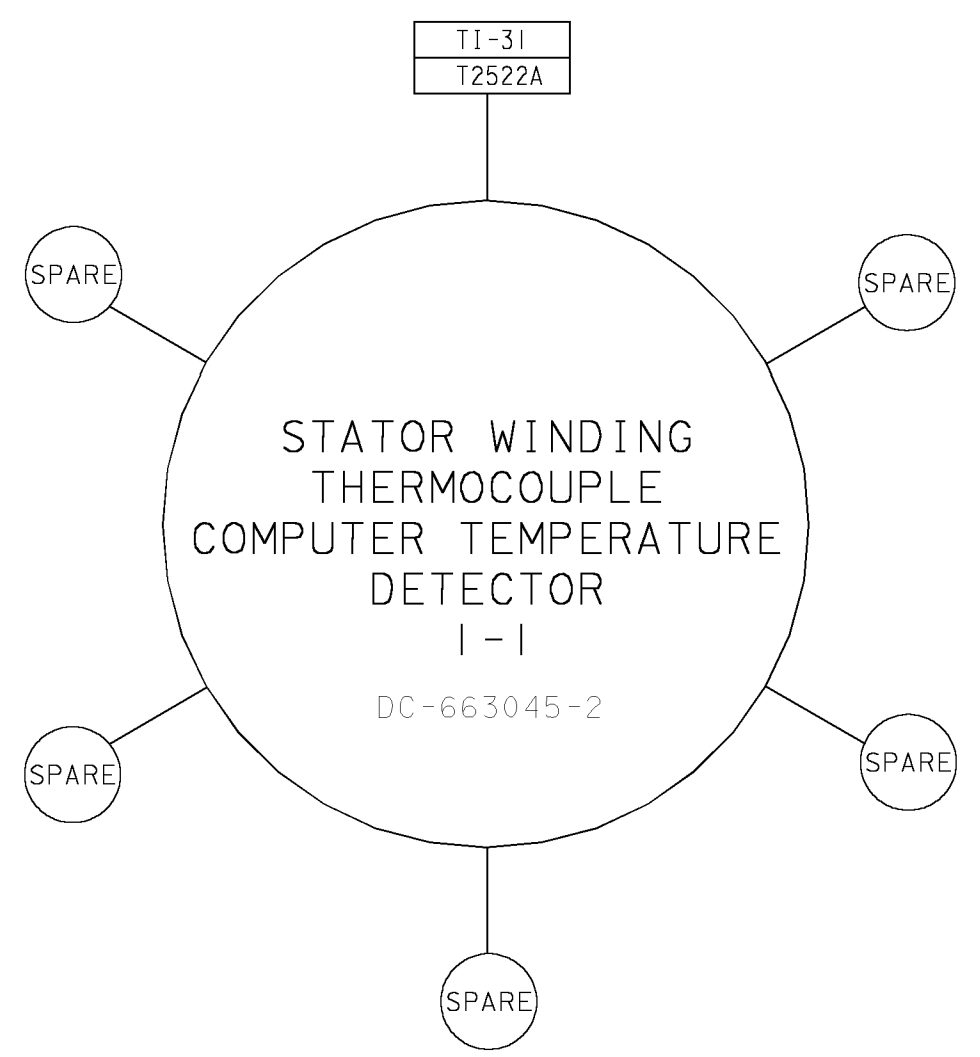
A

B

C

D

E



UNIT 1

P G & E CO.		102002	REV.
SHEET 10	PAGE 0		103

5/4/99	CMG9	FXC2	-	KERSI J. DALAL	MECHANICAL	M 16690	3/31/2000	Enhanced per FCT 023917
DATE	DWN	RE	IV	PROFESSIONAL ENGINEER	PE DISC.	PE#	PE EXP.	

CAD User: CMG9 Date: 4-29-1999 DGN: 2002510.DGN