

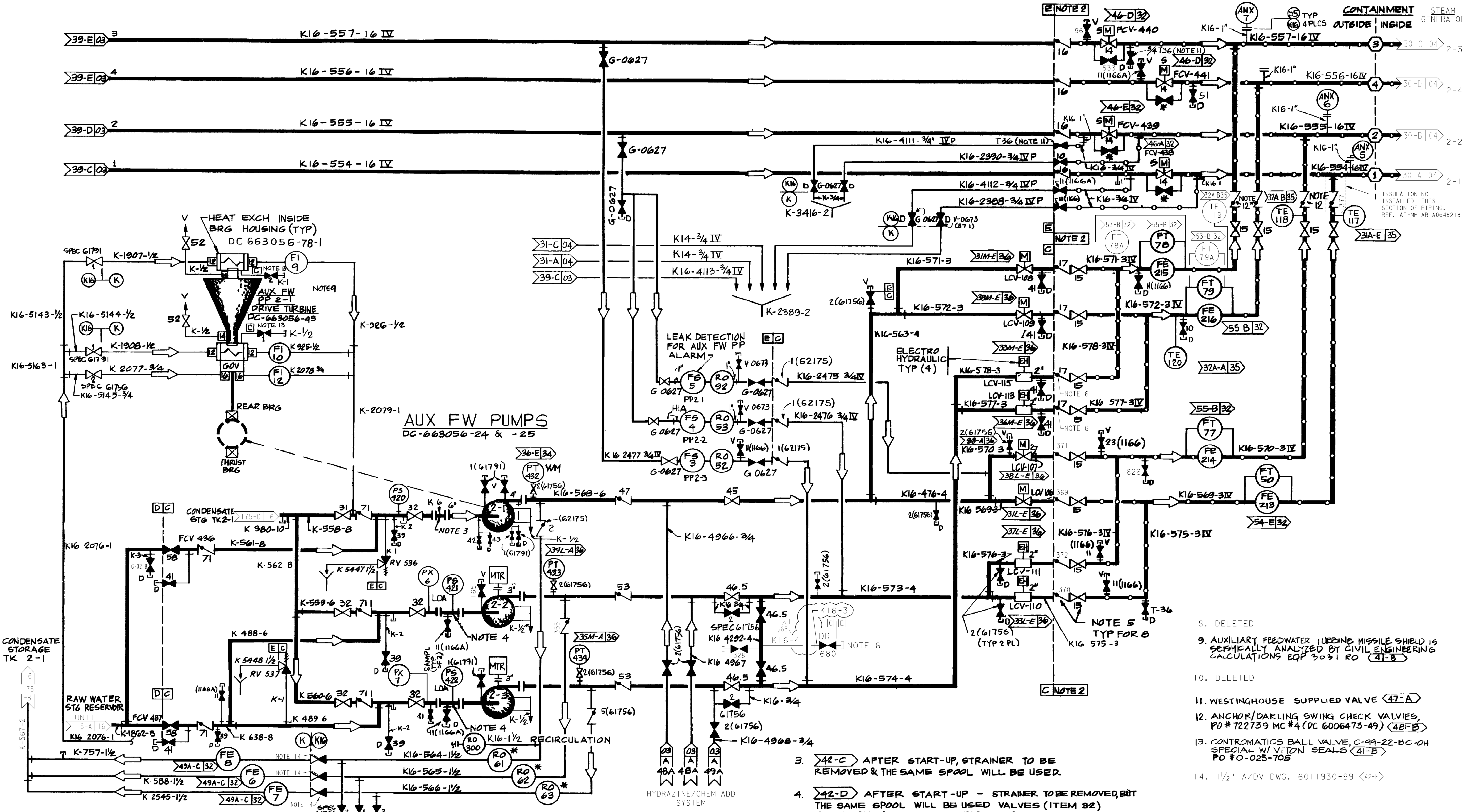
A

B

C

D

E



NOTES

1. ALL MANUAL AND MOTOR OPERATED VALVES ON THIS SHEET WITH ITEM NO'S ARE PER SPEC 8729, (REF DWG 108039) EXCEPT AS NOTED VALVES PER PG & E MARK NO ARE PER SPEC 8711 (KELLOGG)
2. MANUAL AND CONTROL VALVES AND PIPING REPRESENTED AS UNDER THIS NOTE ARE SUBJECT TO ASME BOILER AND PRESSURE VESSEL CODE SECT I 1968, DESIGN TO ANSI B 31.1 (1967)
3. AFTER START-UP, STRAINER TO BE REMOVED & THE SAME SPOOL WILL BE USED.
4. AFTER START-UP - STRAINER TO BE REMOVED, BUT THE SAME SPOOL WILL BE USED VALVES (ITEM 32) SHALL BE INTEGRAL TO LINES 559 & 560
5. ITEMS 15 AND 17 VALVES SHALL BE INSULATED
6. CONNECTION POINT FOR FLEX EQUIPMENT
7. DELETED
8. DELETED
9. AUXILIARY FEEDWATER TURBINE MISSILE SHIELD IS SEPARATELY ANALYZED BY CIVIL ENGINEERING CALCULATIONS EQP 3031 RO
10. DELETED
11. WESTINGHOUSE SUPPLIED VALVE
12. ANCHOR/DARLING SWING CHECK VALVES, PO # 722739 MC # 4 (DC 6006473-49)
13. CONTROMATICS BALL VALVE, C-99-22-BC-04 SPECIAL W/ VITON SEALS
14. 1/2" A/DV DWG. 6011930-99

UNIT 2

DIABLO CANYON POWER PLANT - PG&E CO.
FEEDWATER SYSTEM

DRAWING	SHEET	PAGE	REV
108003	4	0	68

RASTER=8003s4.dgn
 DCN=8003s4.dgn
 CAD User:R62 D08-29-2016