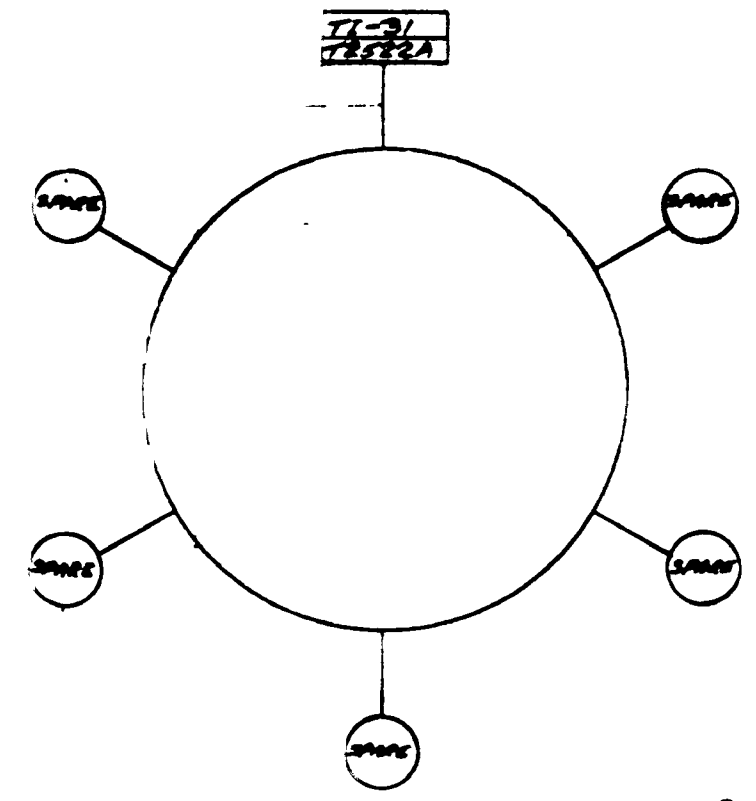


CORRESPONDING INSTRUMENT NOS.

	PUMP # 2-1		PUMP # 2-2		PUMP # 2-3	
	PGE NO	WESTINGHOUSE COMPUTER PT.	PGE NO.	WESTINGHOUSE COMPUTER PT.	PGE NO.	WESTINGHOUSE COMPUTER PT.
UPPER BEARING	T1-29	T2520A	T1-32	T2523A	T1-35	T2526A
LOWER BEARING	T1-30	T2521A	T1-33	T2524A	T1-36	T2527A
STATOR	T1-31	T2522A	T1-34	T2525A	T1-37	T2528A

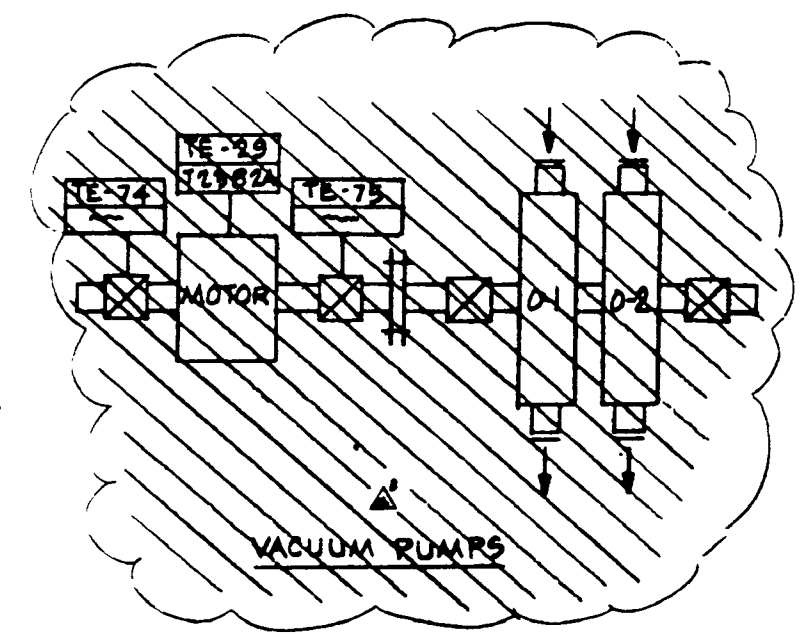
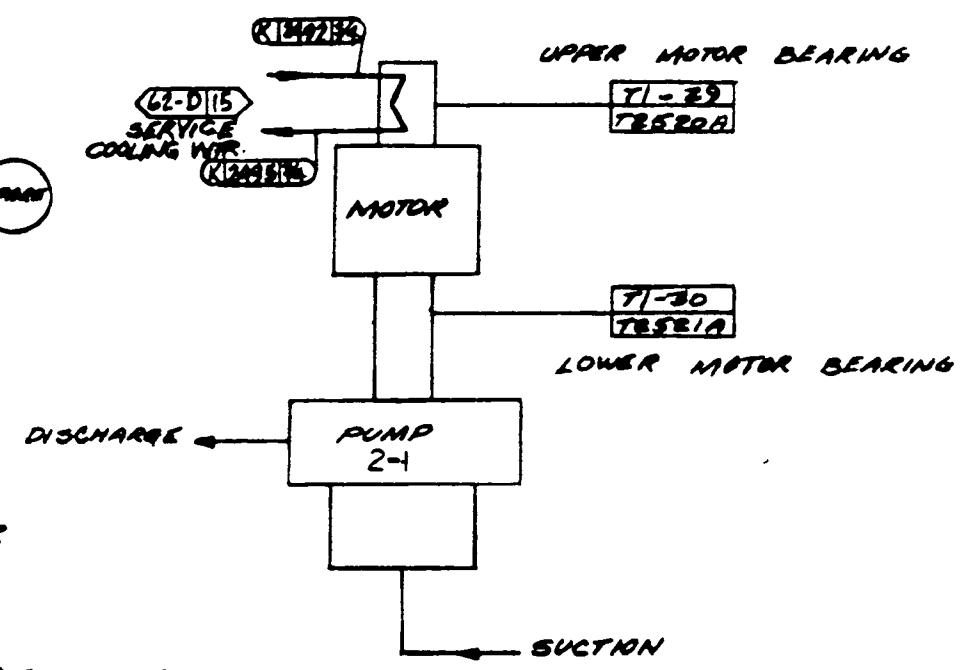
CORRESPONDING UPPER BEARING COOLING WATER LINE NOS.

PUMP 2-1	PUMP 2-2	PUMP 2-3
2492	2493	2494
2495	2496	2497



STATOR WINDING THERMOCOUPLE
COMPUTER TEMPERATURE DETECTOR
DC-663045-2

CONDENSATE PUMP MOTOR
TYP FOR (3)



UNIT - 2

P.G. & E. CO.	DRAWING NUMBER	REVISION
SHEET 10 OF SHEETS	108002	48
	MICROFILM	HS

THIS DRAWING HAS BEEN REPRODUCED
WITHOUT CHANGE FROM ORIGINAL DRAWING
CHANGE NO. DATE APPROVED

RM INDEXED REV. 48

SCAN 48 R

35 1/4 IN. N.E.S.