

A

A

B

B

C

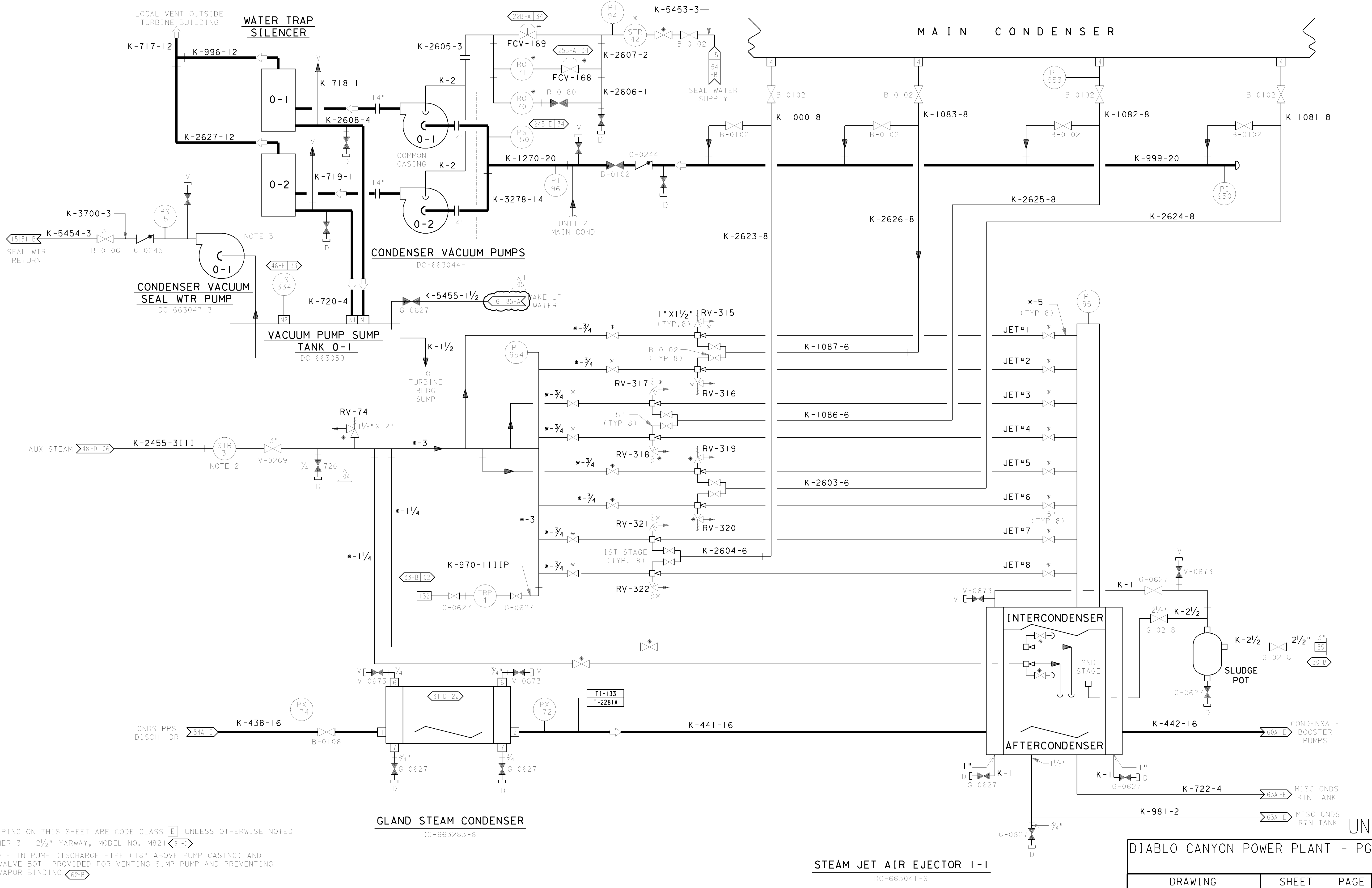
C

D

D

E

E



- NOTES**
1. ALL PIPING ON THIS SHEET ARE CODE CLASS [E] UNLESS OTHERWISE NOTED
 2. STRAINER 3 - 2 1/2" YARWAY, MODEL NO. M821 [61-E]
 3. 1/8" HOLE IN PUMP DISCHARGE PIPE (18" ABOVE PUMP CASING) AND VENT VALVE BOTH PROVIDED FOR VENTING SUMP PUMP AND PREVENTING PUMP VAPOR BINDING [62-E]

UNIT 1

DIABLO CANYON POWER PLANT - PG&E CO.

| | | | |
|---------|-------|------|-----|
| DRAWING | SHEET | PAGE | REV |
| 102002 | 6 | 0 | 105 |

STEAM JET AIR EJECTOR 1-1
DC-663041-9

| | | | | | | | |
|------------|------|------|-----------------|-----------------------|----------|------------|------------------------|
| 12-19-2005 | MIBF | KJD3 | FRANCIS C. LING | MECHANICAL | M 16098 | 12/31/2005 | REVISED PER FCT-030760 |
| DATE | DWN | RE | 1V | PROFESSIONAL ENGINEER | PE DISC. | PE# | PE EXP. |

RASTER=2002sb.dgn
 DCN=2002sb.dgn
 CAD User: MIBF Date: 12-19-2005