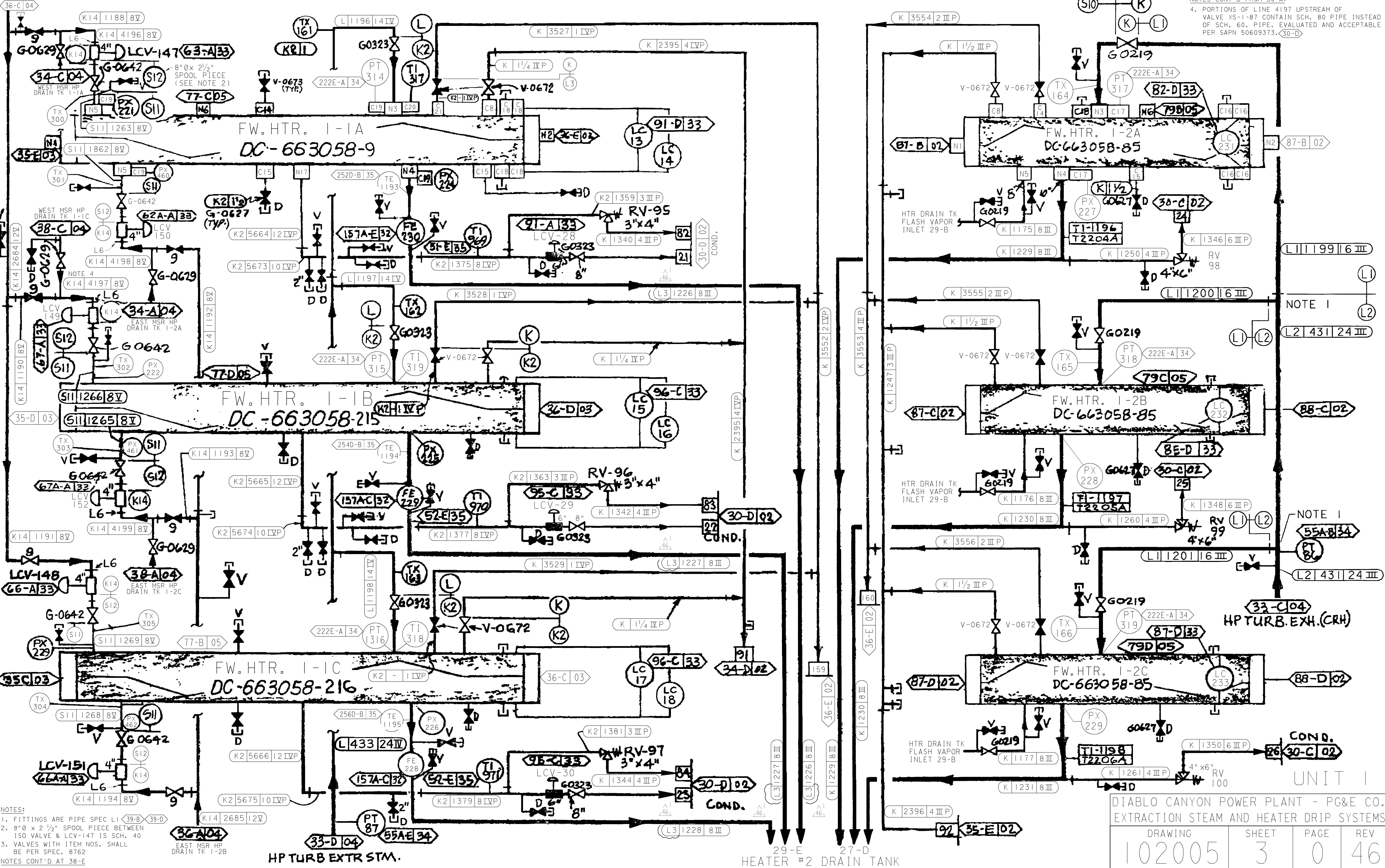


WEST MSR HP DR TK 1-1B

NOTES CONT'D FROM 30-A:
 4. PORTIONS OF LINE 4197 UPSTREAM OF VALVE XS-1-87 CONTAIN SCH. 80 PIPE INSTEAD OF SCH. 60. PIPE EVALUATED AND ACCEPTABLE PER SAPN 50609373. (30-D)



NOTES:
 1. FITTINGS ARE PIPE SPEC LI (39-B) (39-D)
 2. 8"0 x 2 1/2" SPOOL PIECE BETWEEN ISO VALVE & LCV-147 IS SCH. 40
 3. VALVES WITH ITEM NOS. SHALL BE PER SPEC. 8762
 NOTES CONT'D AT 38-E

DIABLO CANYON POWER PLANT - PG&E CO.
 EXTRACTION STEAM AND HEATER DRIP SYSTEMS
 DRAWING 102005 SHEET 3 PAGE 0 REV 46