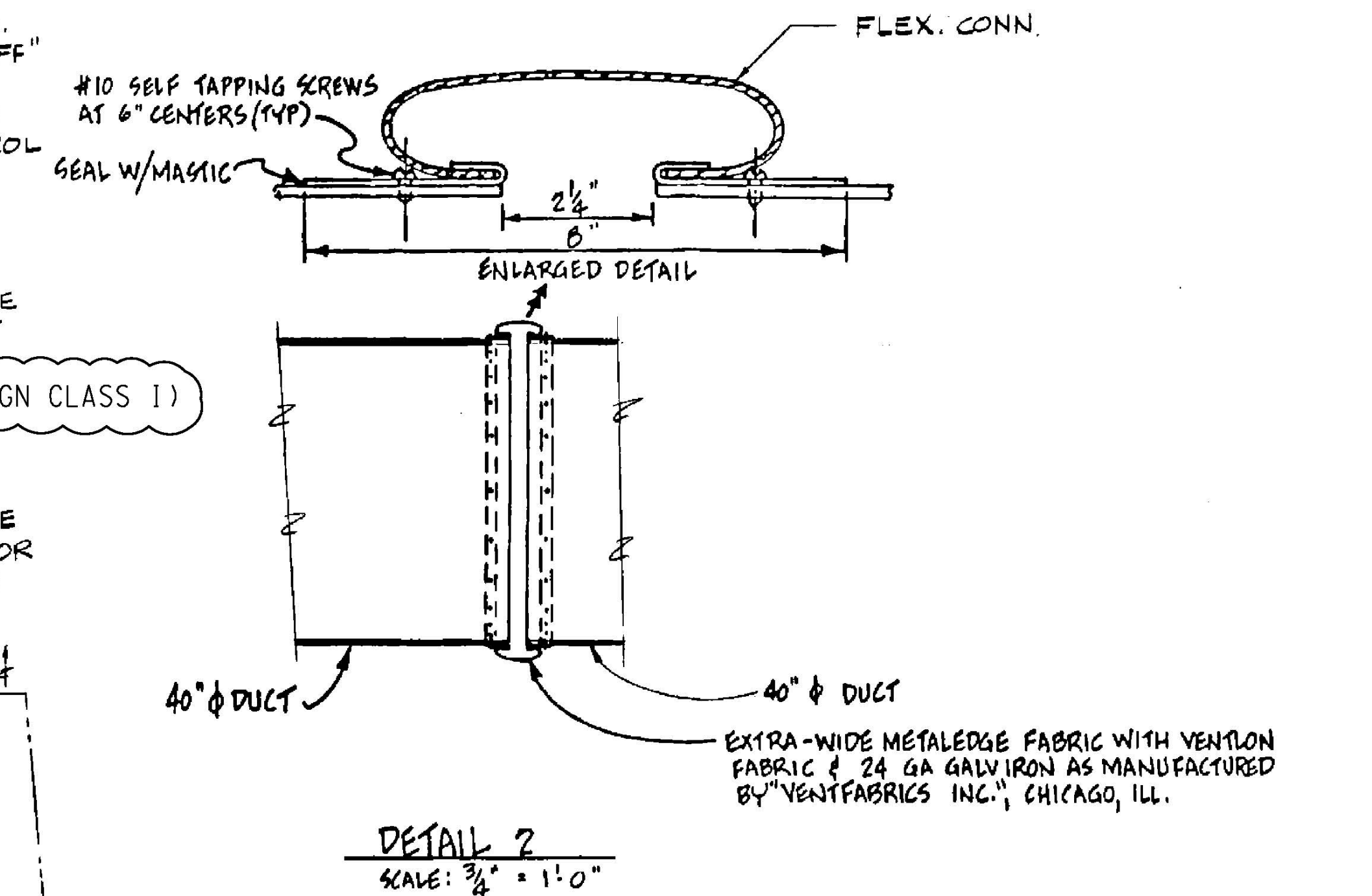
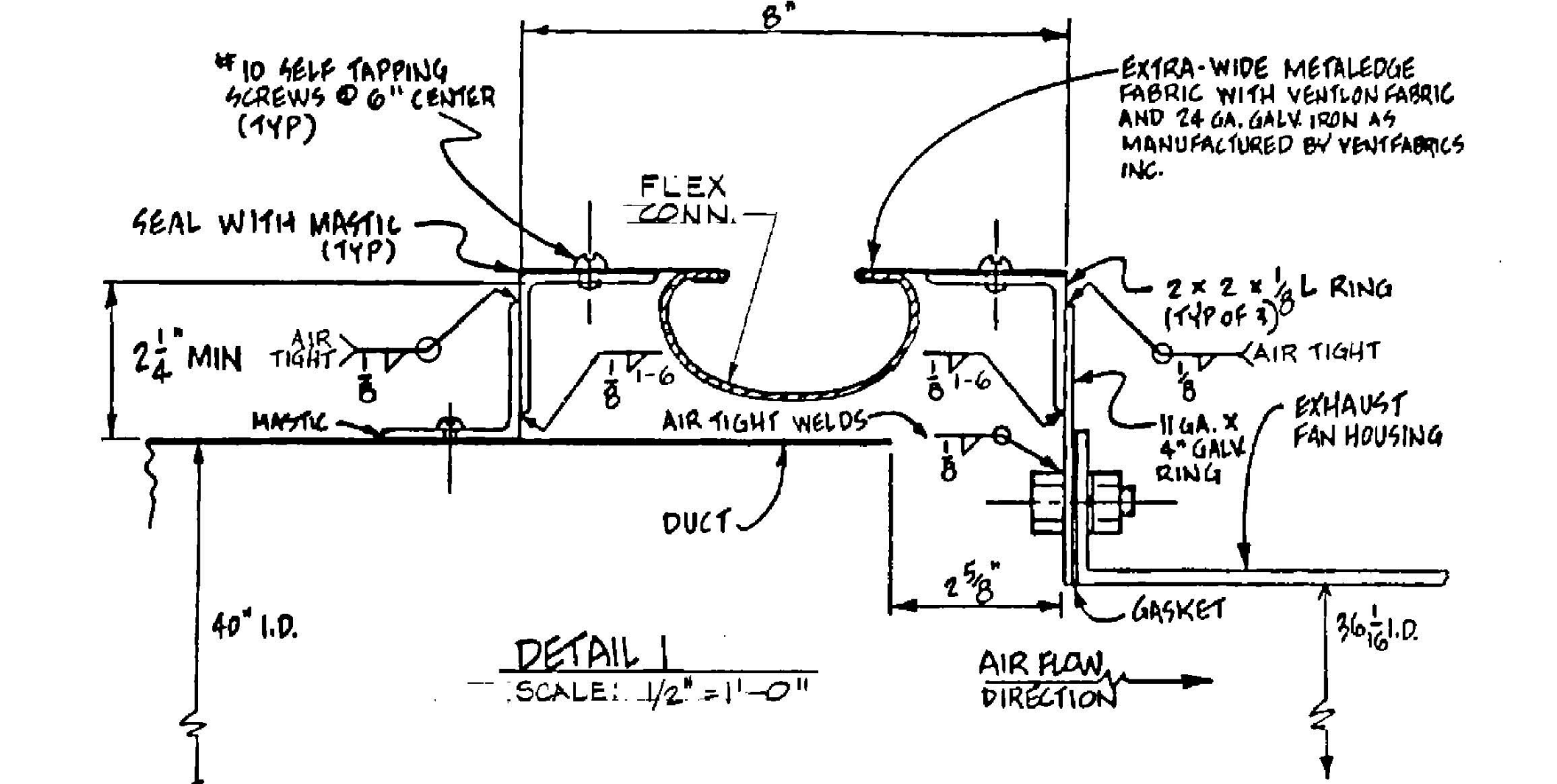
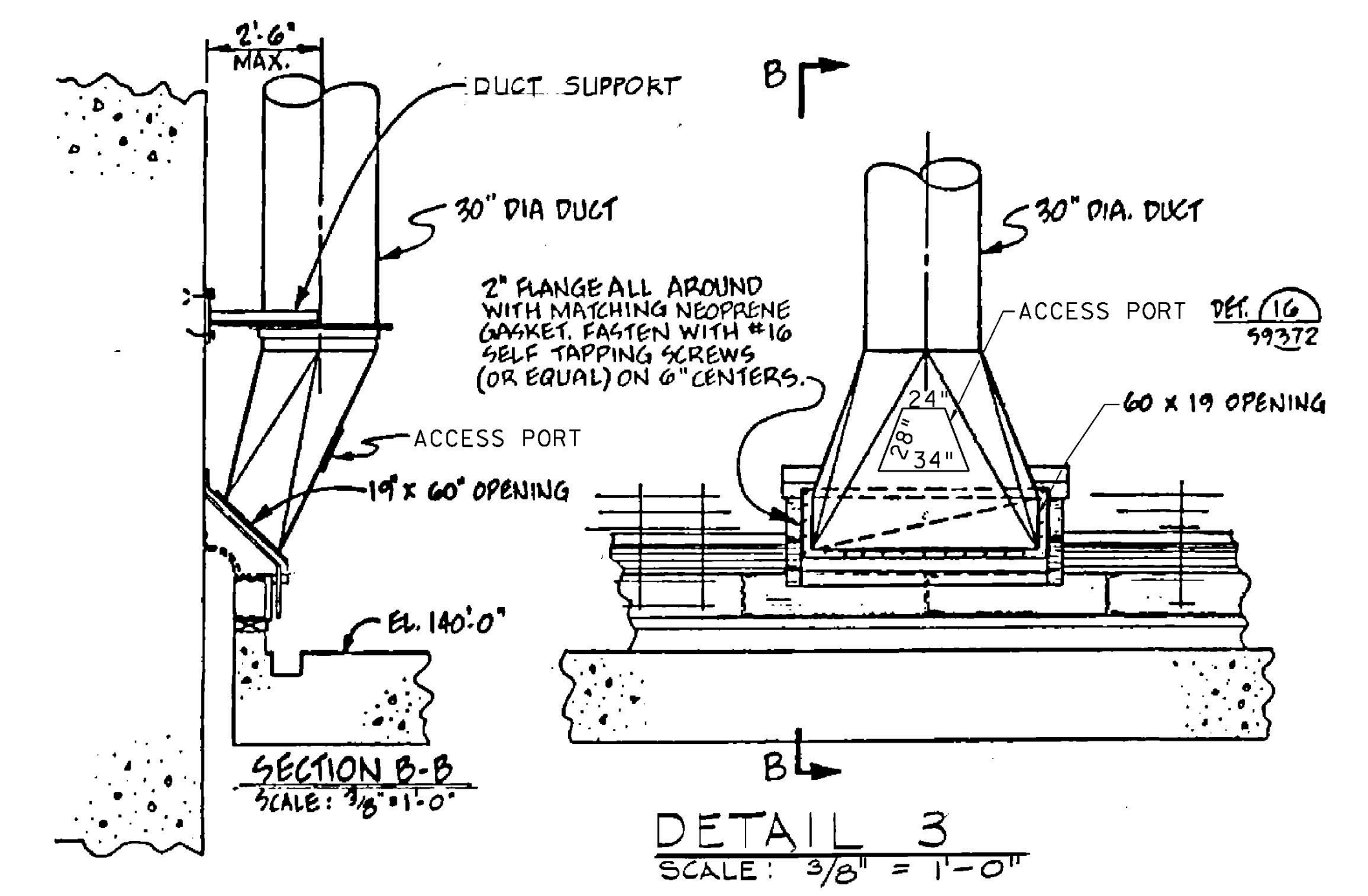
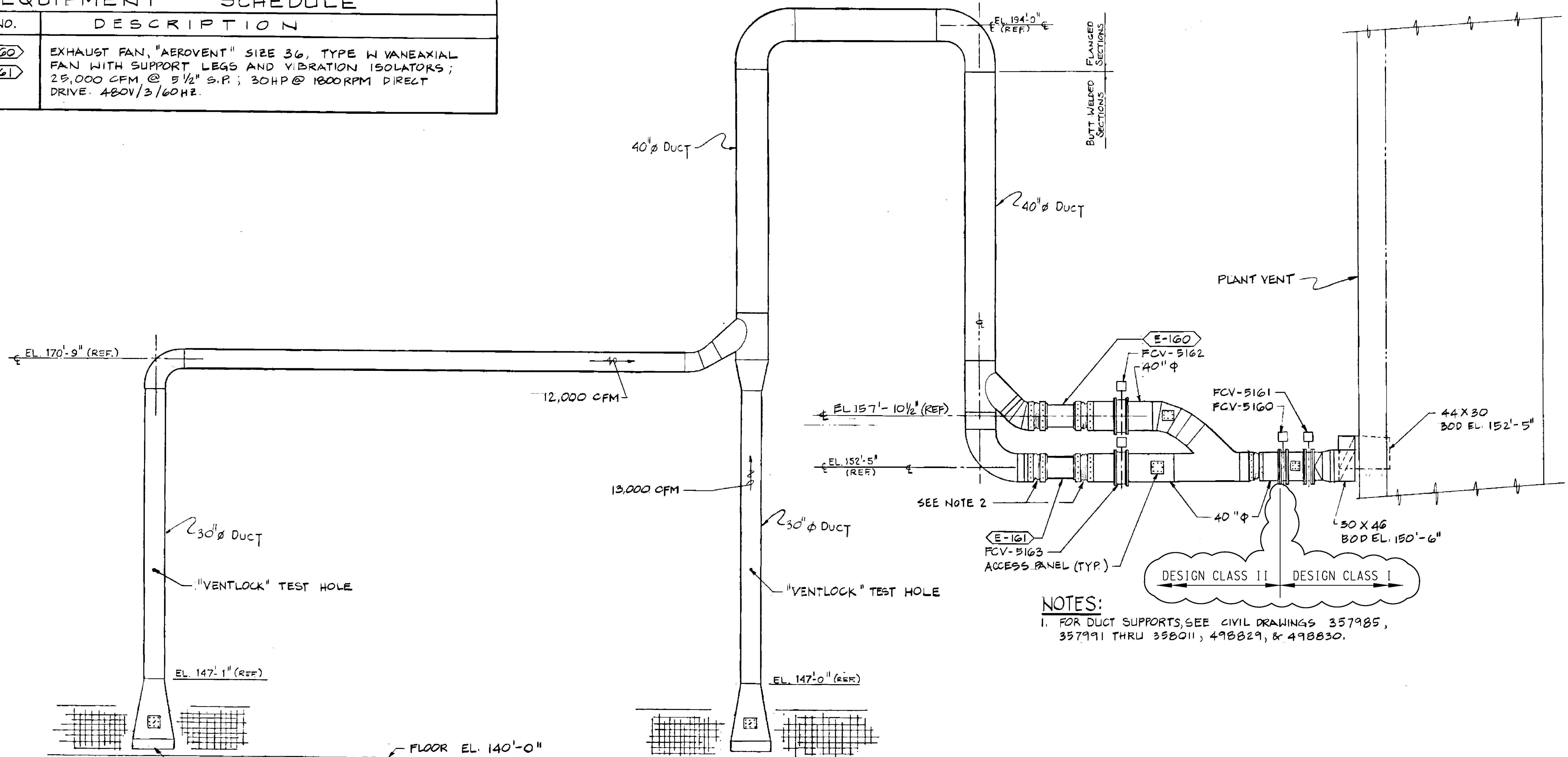


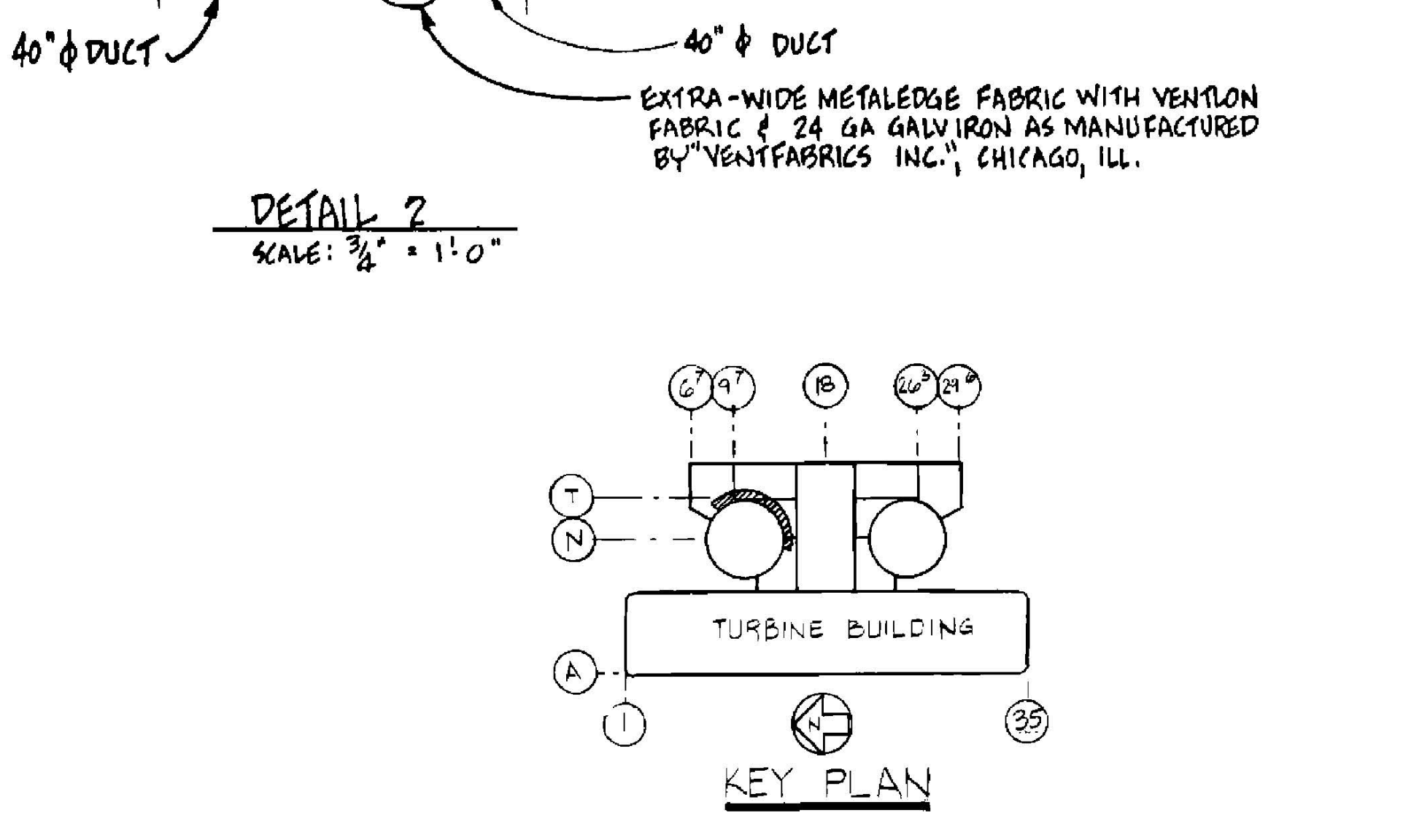
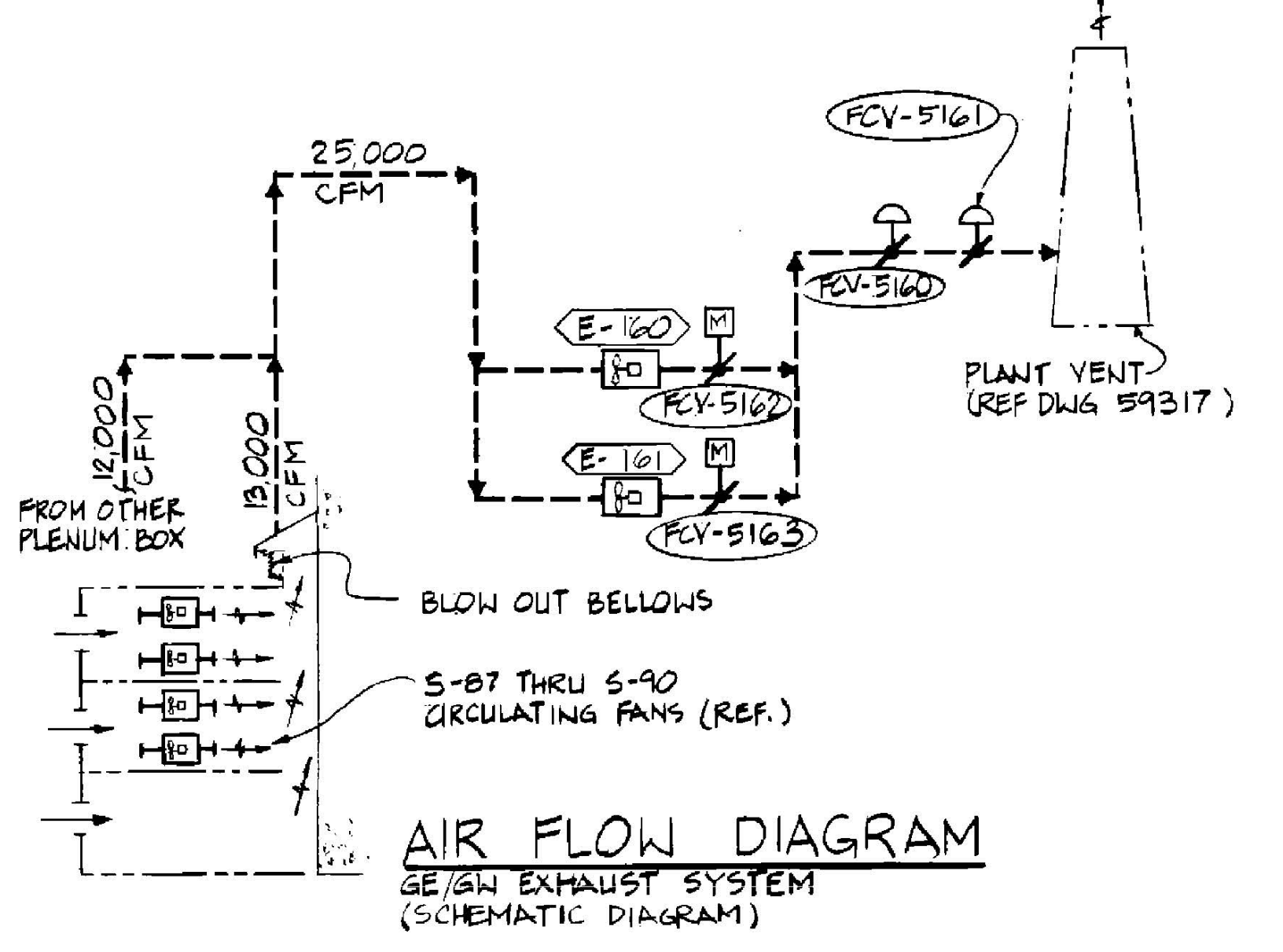
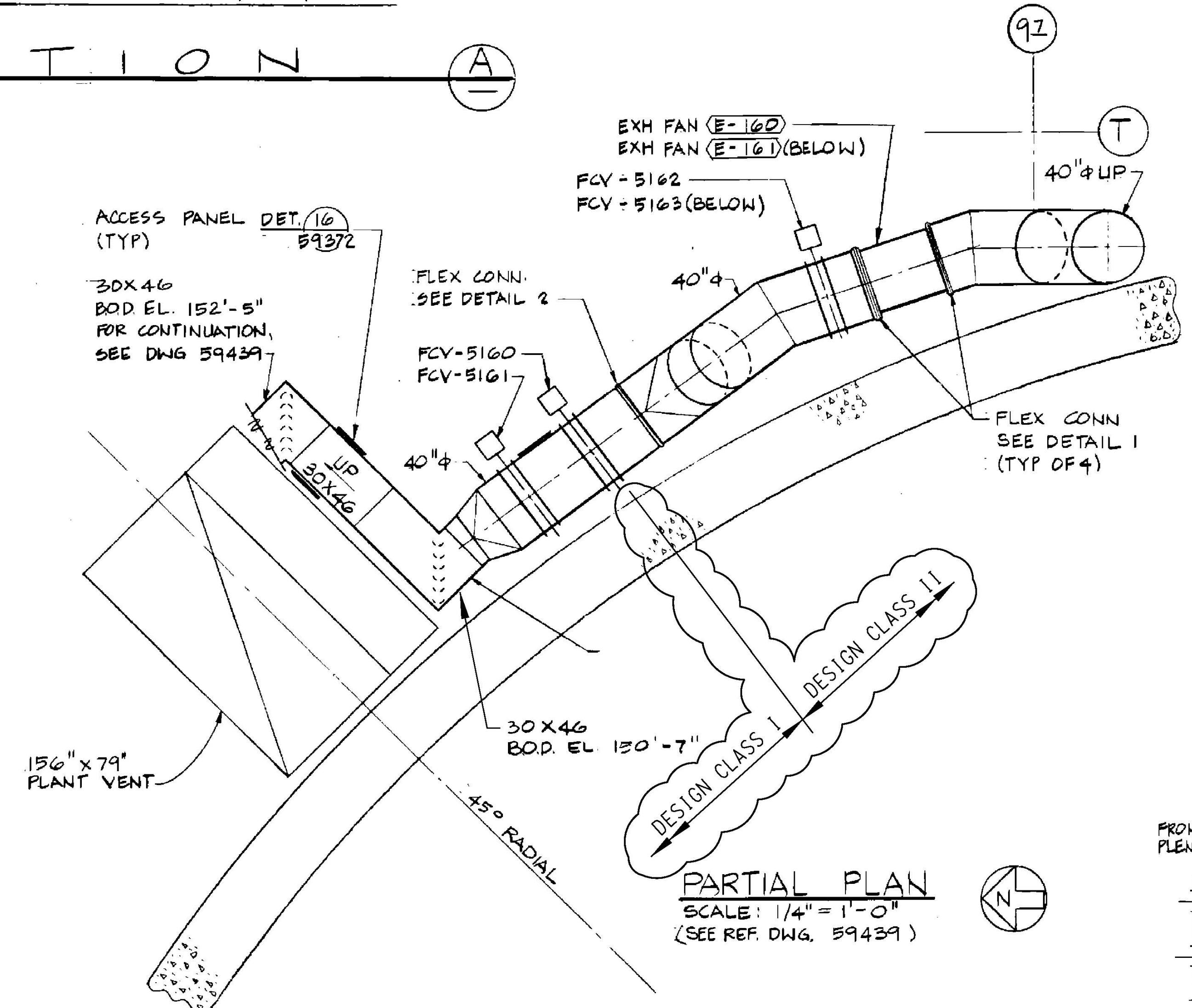
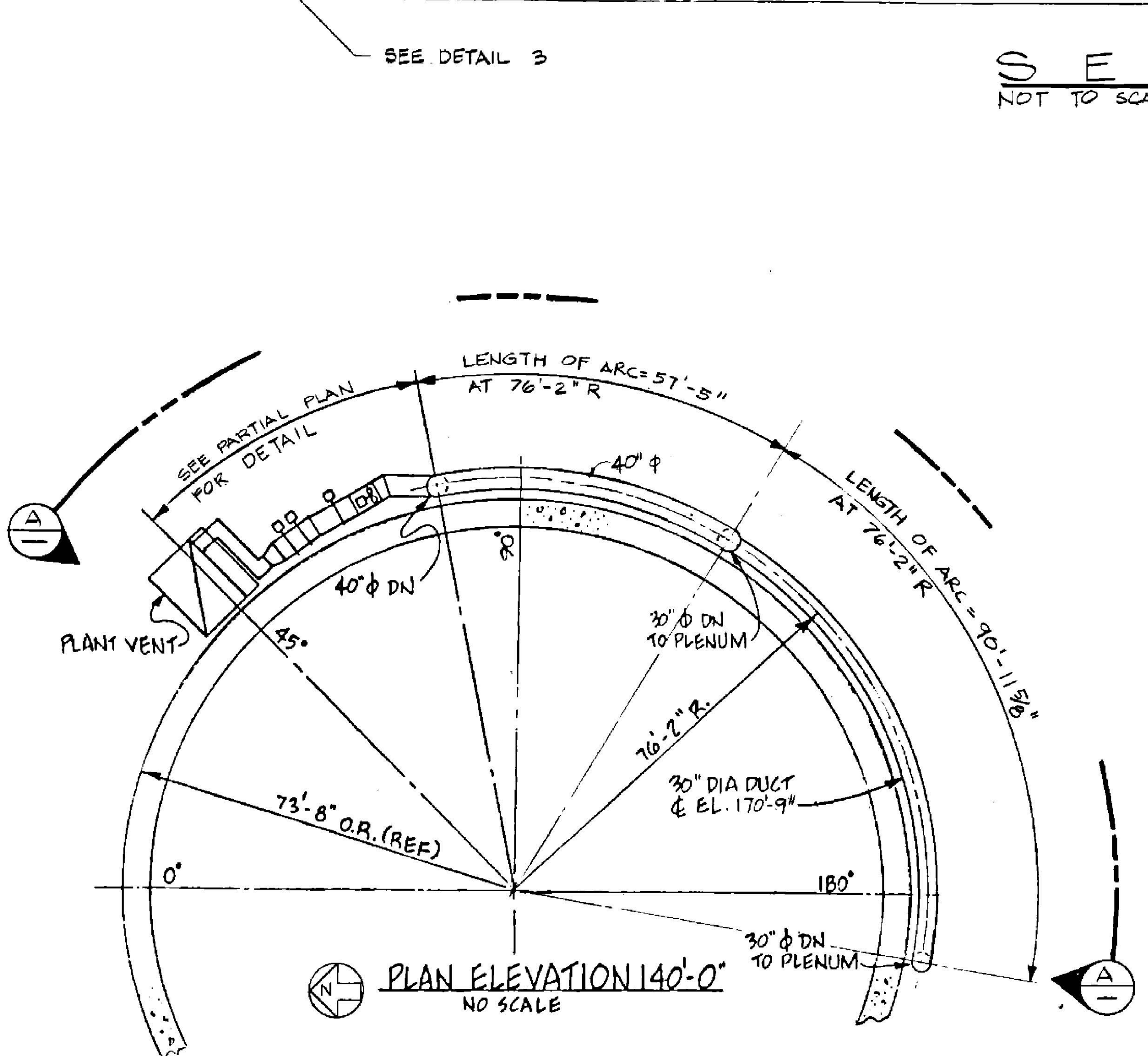
EQUIPMENT SCHEDULE	
TAG. NO.	DESCRIPTION
E-160	EXHAUST FAN, "AEROVENT" SIZE 36, TYPE W VANEAXIAL FAN WITH SUPPORT LEGS AND VIBRATION ISOLATORS; 25,000 CFM @ 5 1/2" S.P.; 30HP @ 1800RPM DIRECT DRIVE. 480V/3/60HZ.
E-161	



NOTES:
 1. FOR DUCT SUPPORTS, SEE CIVIL DRAWINGS 357985, 357991 THRU 358011, 498829, & 498830.

MODE OF OPERATION

- EXHAUST FANS E-160 & E-161.**
 ONE OF THESE FULL CAPACITY FANS NORMALLY RUNS. THE LEAD FAN IS STARTED MANUALLY BY ITS "ON-OFF" CONTROL SWITCH. THIS LEAD FAN WILL RUN UNTIL MANUALLY STOPPED OR FAILURE. FAILURE OF LEAD EXHAUST FAN IS ALARMED AT THE AUX. BLDG CONTROL PANEL. OPERATOR MANUALLY SWITCHES OVER TO THE STANDBY UNIT AND STOPS FAILED UNIT.
- SHUT-OFF DAMPERS FCV-5162 & FCV-5163.**
 THESE SHUT-OFF DAMPERS ARE INTERLOCKED TO THEIR CORRESPONDING EXHAUST FAN'S "ON-OFF" SWITCH. THE DAMPER OPENS WHEN THE CONTROL SWITCH IS SET TO "ON" AND CLOSES WHEN SET TO "OFF".
- ISOLATION DAMPERS FCV-5160 & FCV-5161 (DESIGN CLASS I)**
 THESE REDUNDANT ISOLATION DAMPERS ARE OPERATED BY THEIR PRESSURE DIFFERENTIAL SWITCHES. ESTABLISHMENT OF GREATER PRESSURE ON AIR ENTERING SIDE OF DAMPERS WILL OPEN THE DAMPERS. ON SENSING DECREASING DIFFERENTIAL OR REVERSING OF FLOW, THE SWITCHES WILL CLOSE THE DAMPERS.



RASTER=516111-1-0.dgn
 DGN=516111-1-0.dgn
 CAD User:RHS1 Date: 02-23-2018

DATE	REVISION DESCRIPTION	DWG SCALE
02-23-2018	Revised Per DN-21608	BILL OF MATL:
D.D. RMS1		SUPDS:
R.E. FXC2		SUPDS BY:
I.V. N/A		DRAWING NUMBER
P.E. N/A		SHEET
		PAGE
		REV

UNIT 1
 MECHANICAL
 PLANS, SECTIONS AND DETAILS
 AREA "L" & "GE"
 ELEV. 140'-0"
 DIABLO CANYON POWER PLANT
 PACIFIC GAS AND ELECTRIC COMPANY
 SAN FRANCISCO, CALIFORNIA
 516111 1 0 5