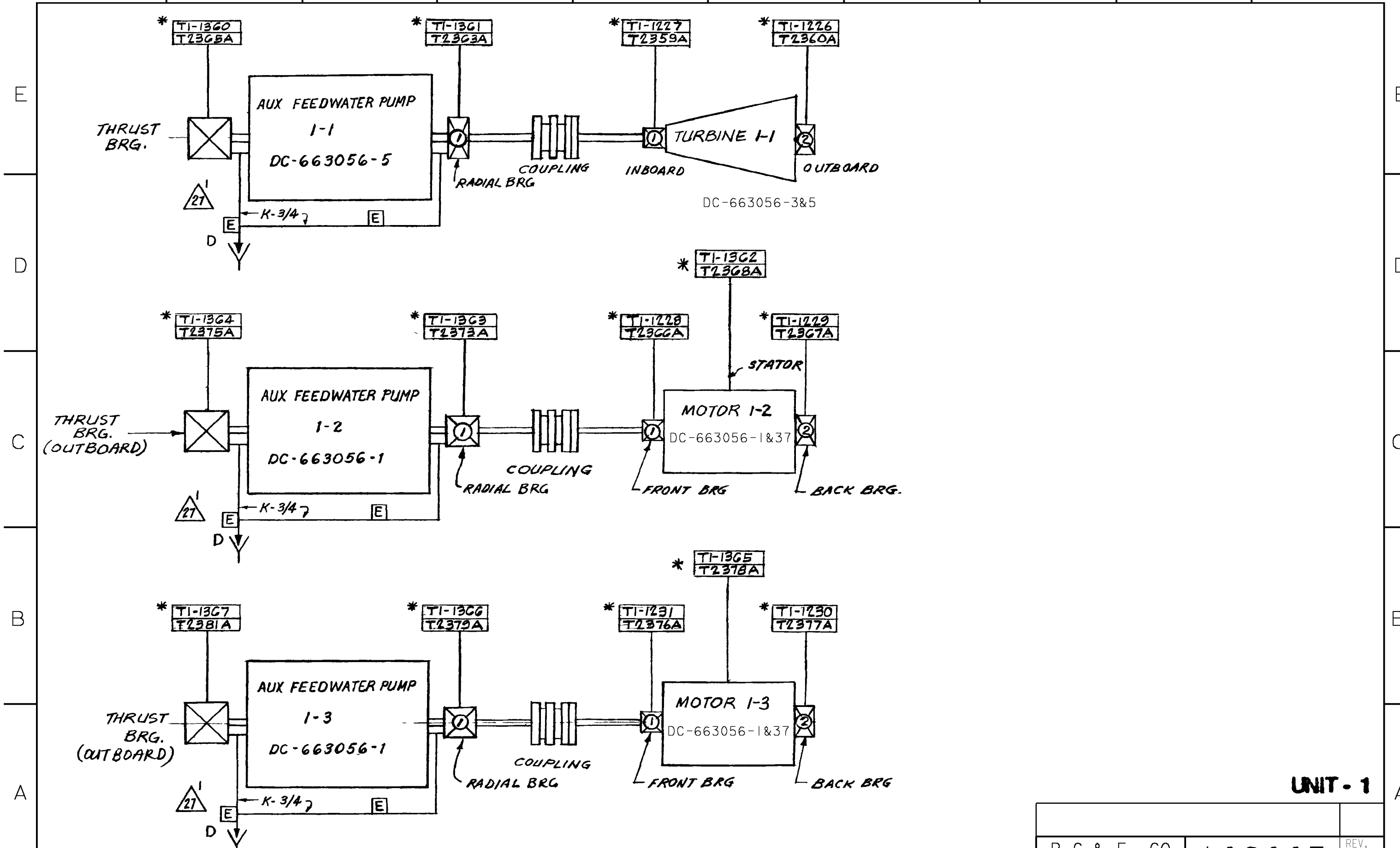


60 61 62 63 64 65 66 67 68 69



CAD User: CMG9 Date: 5-07-1999  
 DGN=2003S6.DGN  
 RASTER=2003S6.TIF

**UNIT - 1**

REF. DWGS : DC - 663056 - 1 to 30

P G & E CO.		102003	REV.
SHEET 6	PAGE 0		28

INPGIC

5/10/99	CMG9	FXC2	-	KERSI J. DALAL	MECHANICAL	M 16690	3/31/2000	Enhanced per FCT 023917
DATE	DWN	RE	IV	PROFESSIONAL ENGINEER	PE DISC.	PE#	PE EXP.	