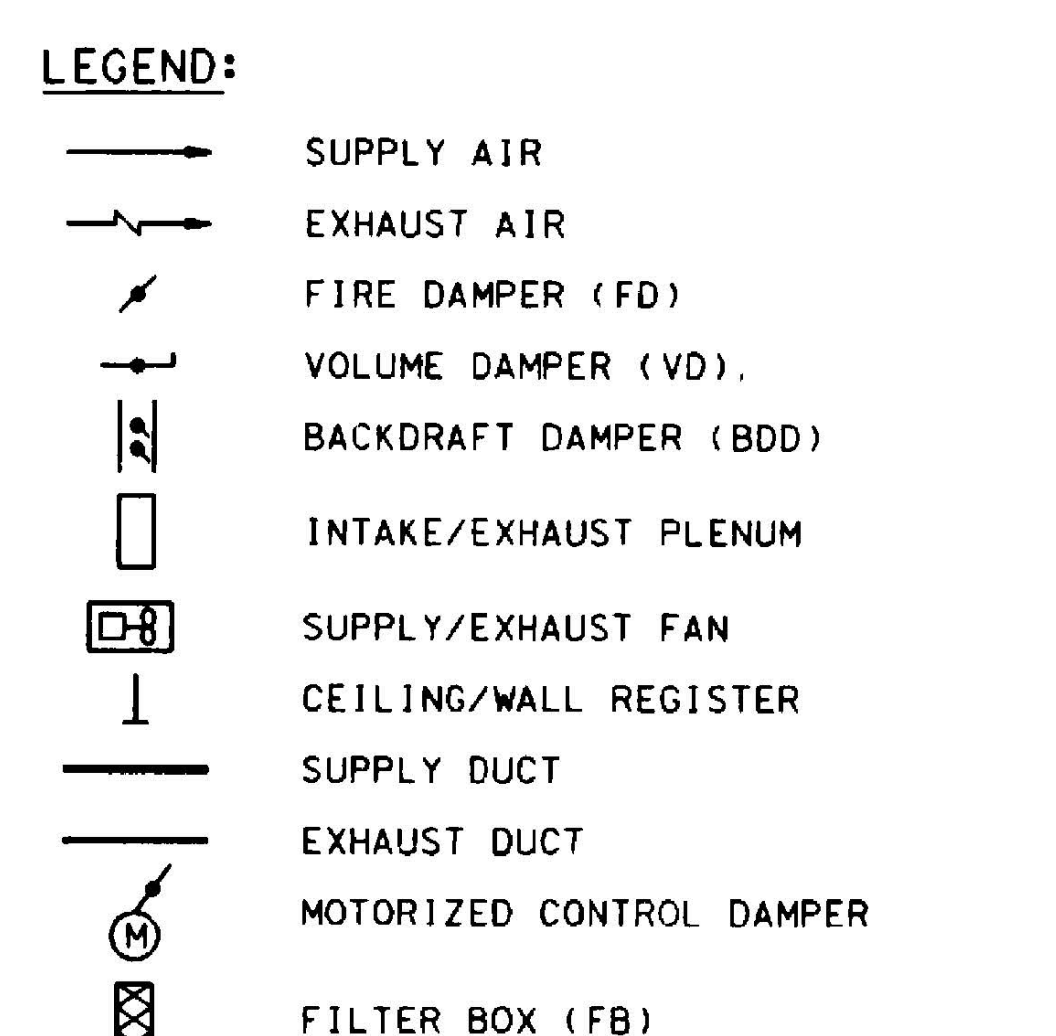
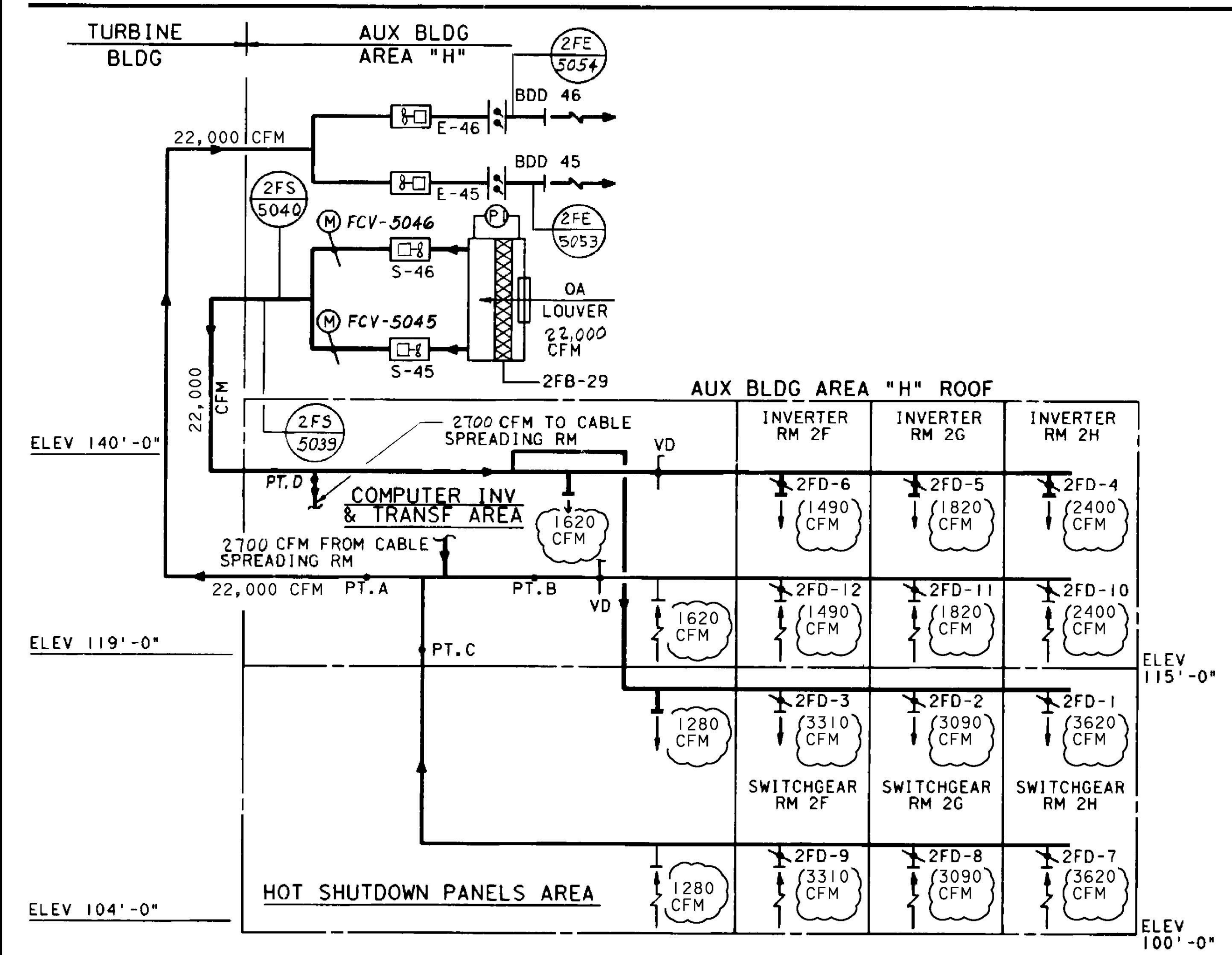


NOTES:

1. THE CFM FIGURES FOR THE ROOMS/AREAS ARE DESIGN VALUES FOR WHEN 2700 CFM IS SUPPLIED TO THE CABLE SPREADING ROOM BY THIS SYSTEM. FOR ACTUAL VALUES, SEE AIR BALANCE REPORT.

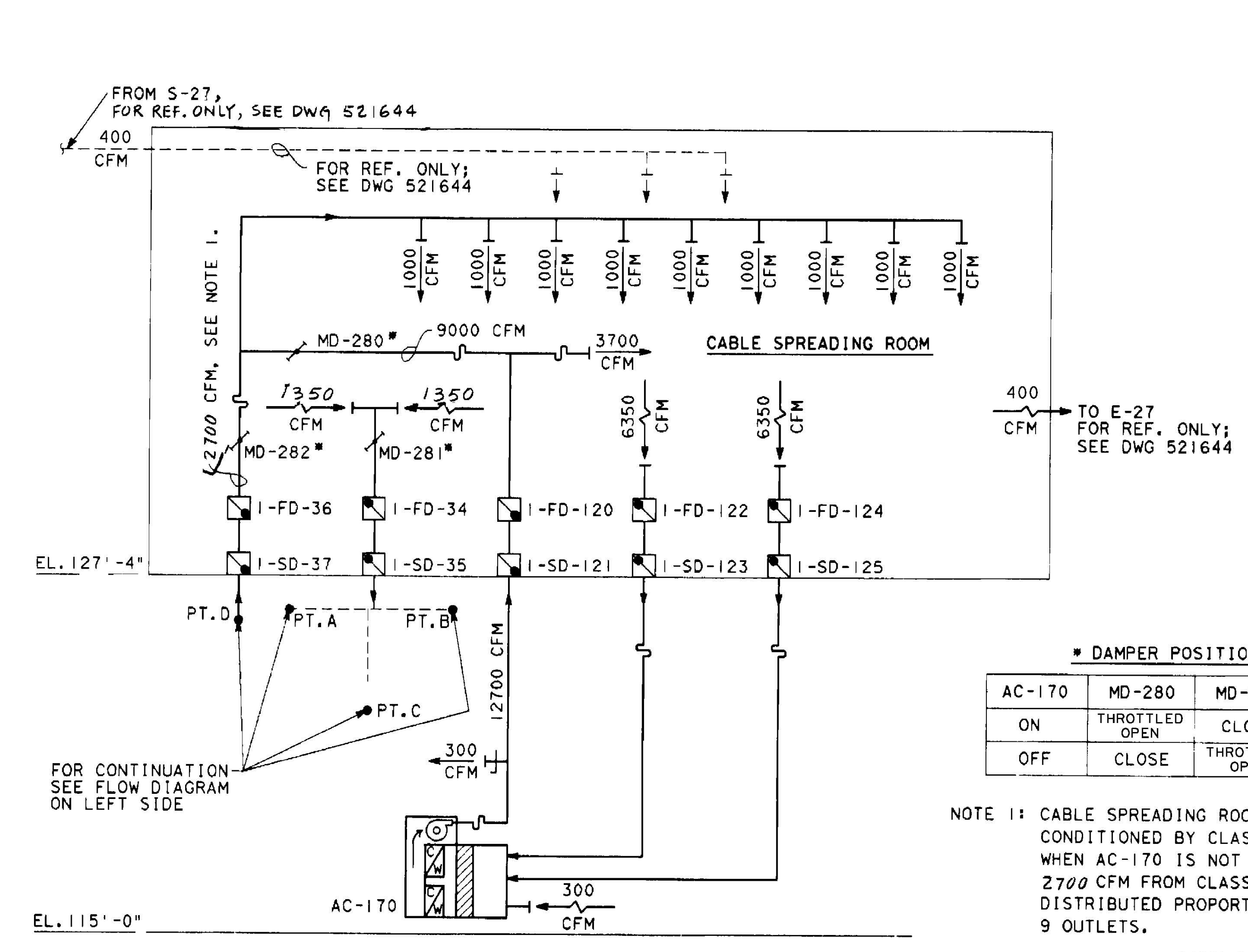
FLOW DIAGRAM FOR INVERTER ROOMS & 480V SWITCHGEAR ROOMS IN AUXILIARY BLDG (UNIT 1)
(SCHEMATIC ONLY)



NOTES:

1. THE CFM FIGURES FOR THE ROOMS/AREAS ARE DESIGN VALUES FOR WHEN 2700 CFM IS SUPPLIED TO THE CABLE SPREADING ROOM BY THIS SYSTEM. FOR ACTUAL VALUES, SEE AIR BALANCE REPORT.

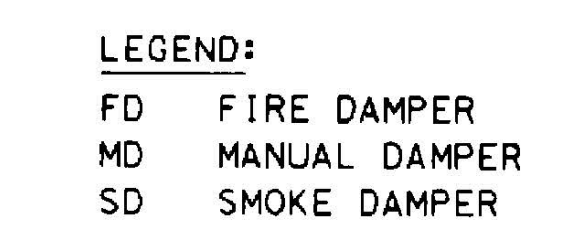
FLOW DIAGRAM FOR INVERTER ROOMS & 480V SWITCHGEAR ROOMS IN AUXILIARY BLDG (UNIT 2)
(SCHEMATIC ONLY)



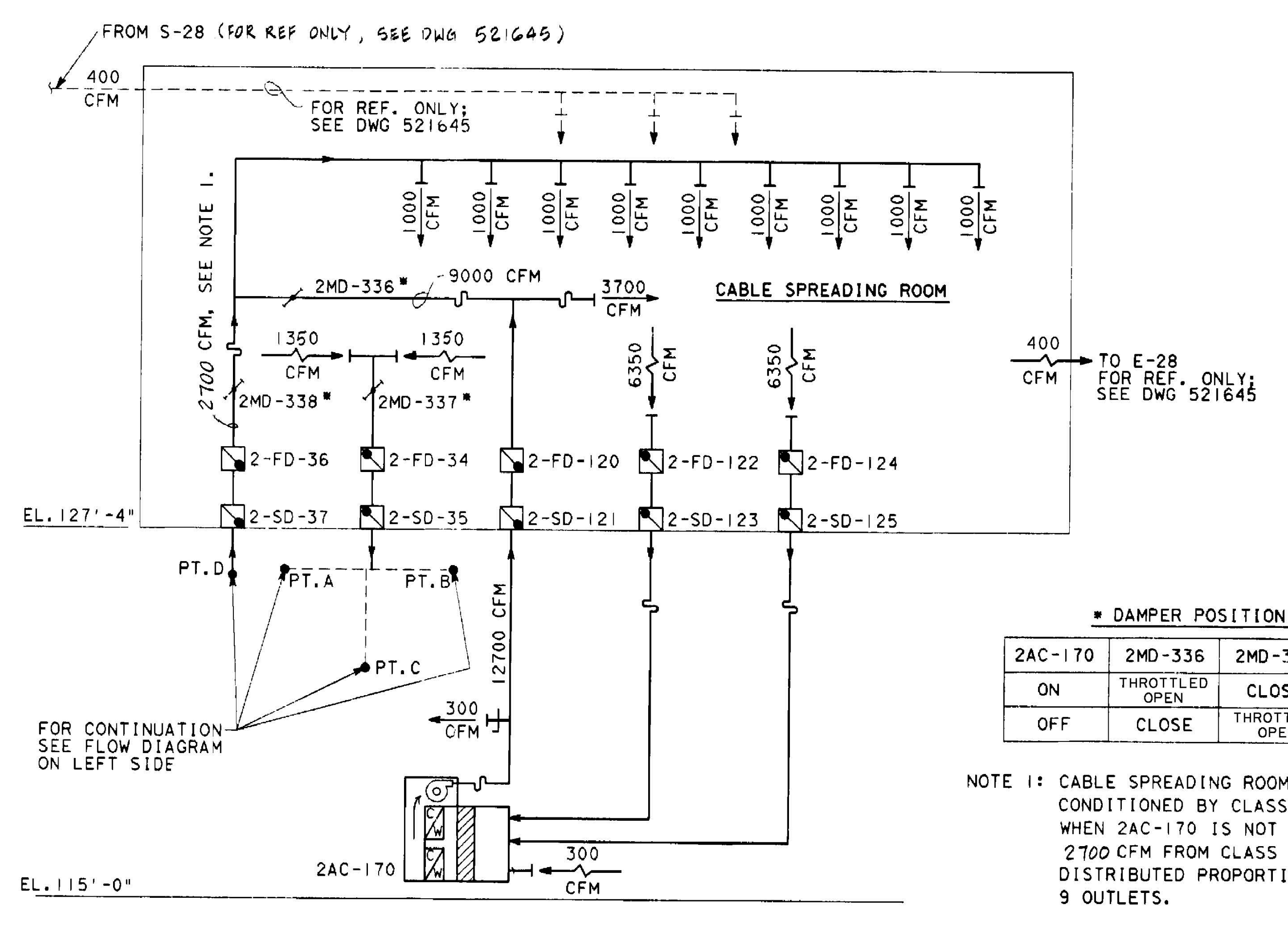
*** DAMPER POSITION TABLE**

AC-170	MD-280	MD-281	MD-282
ON	THROTTLED OPEN	CLOSE	CLOSE
OFF	CLOSE	THROTTLED OPEN	THROTTLED OPEN

NOTE 1: CABLE SPREADING ROOM IS NORMALLY AIR CONDITIONED BY CLASS II UNIT AC-170. WHEN AC-170 IS NOT IN OPERATION, 2700 CFM FROM CLASS I SYSTEM IS DISTRIBUTED PROPORTIONALLY THROUGH 9 OUTLETS.



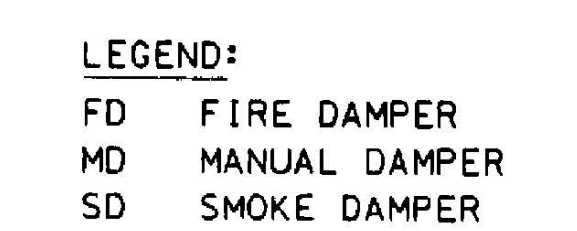
FLOW DIAGRAM FOR CABLE SPREADING ROOM (UNIT 1)
(SCHEMATIC ONLY)



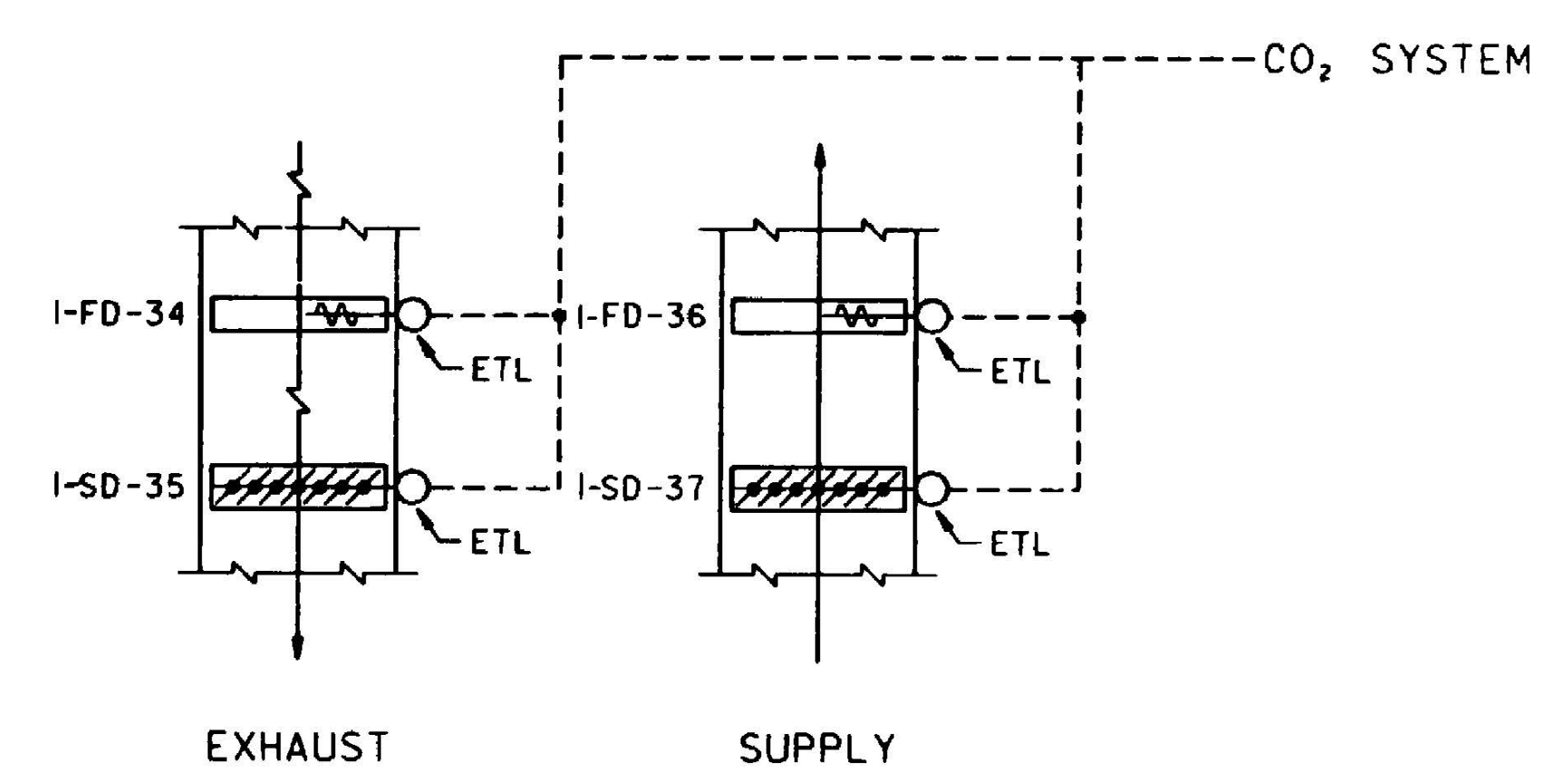
*** DAMPER POSITION TABLE**

2AC-170	2MD-336	2MD-337	2MD-338
ON	THROTTLED OPEN	CLOSE	CLOSE
OFF	CLOSE	THROTTLED OPEN	THROTTLED OPEN

NOTE 1: CABLE SPREADING ROOM IS NORMALLY AIR CONDITIONED BY CLASS II UNIT 2AC-170. WHEN 2AC-170 IS NOT IN OPERATION, 2700 CFM FROM CLASS I SYSTEM IS DISTRIBUTED PROPORTIONALLY THROUGH 9 OUTLETS.



FLOW DIAGRAM FOR CABLE SPREADING ROOM (UNIT 2)
(SCHEMATIC ONLY)



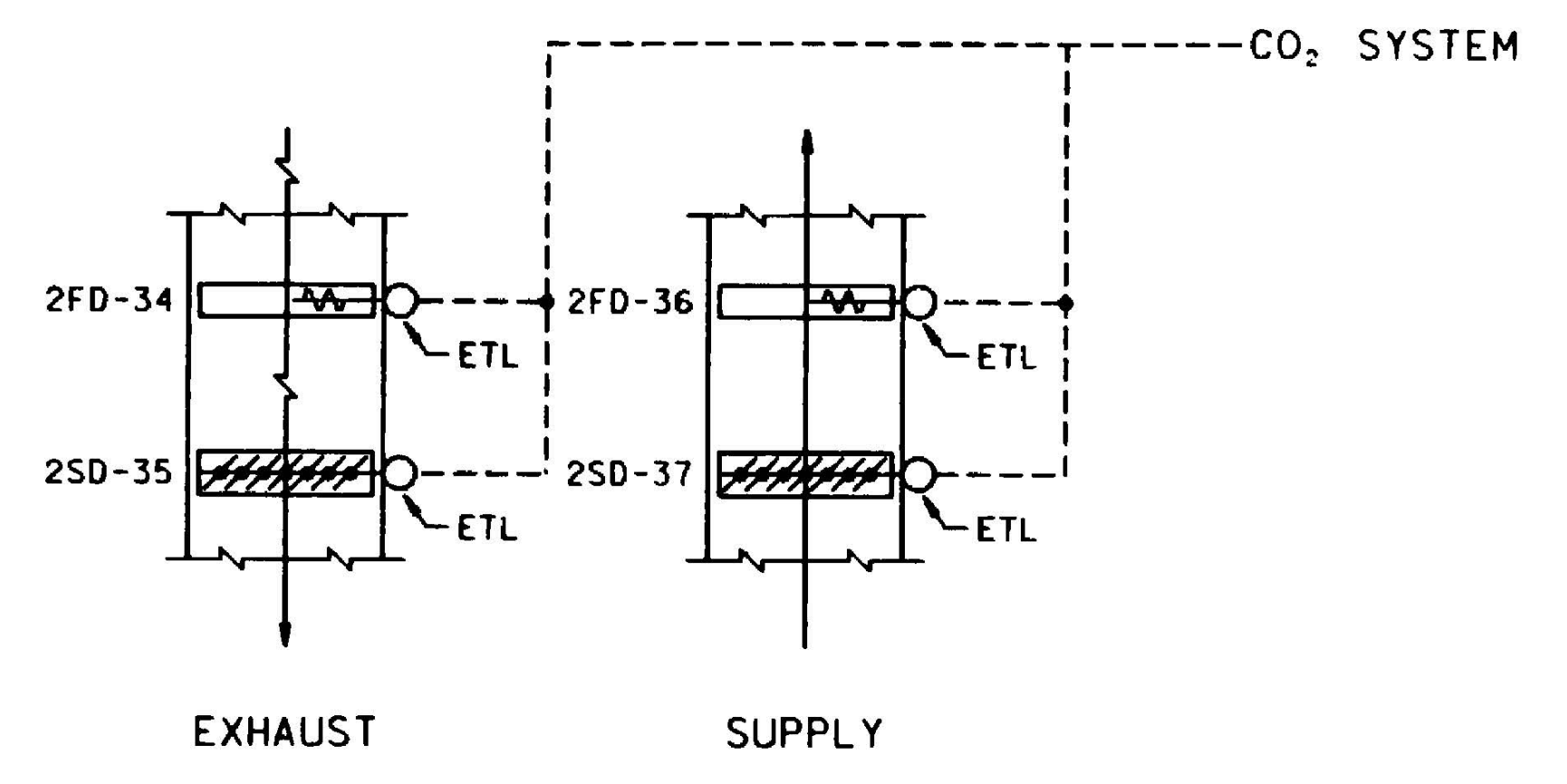
FIRE & SMOKE DAMPER CONTROLS (UNIT 1)

NOTES:

- FOR LOCATION OF DAMPERS, SEE DWG 59347.
- FOR ELECTRICAL SCHEMATIC DIAGRAM AND LOCATION DRAWINGS, SEE DWG 338213 AND 57612.

OPERATION PROCEDURES:

- A SIGNAL FROM THE CO₂ SYSTEM WILL CLOSE THE FIRE DAMPERS AND SMOKE DAMPERS IN THE SUPPLY AND EXHAUST DUCT. NO AIR WILL BE SUPPLIED/EXHAUSTED INTO/FROM THE CABLE SPREADING ROOM.
- RESETTING OF THE FIRE AND SMOKE DAMPERS WILL BE DONE MANUALLY.



FIRE & SMOKE DAMPER CONTROLS (UNIT 2)

NOTES:

- FOR LOCATION OF DAMPERS, SEE DWG 59347.
- FOR ELECTRICAL SCHEMATIC DIAGRAM AND LOCATION DRAWINGS, SEE DWG 338213 AND 57612.

OPERATION PROCEDURES:

- A SIGNAL FROM THE CO₂ SYSTEM WILL CLOSE THE FIRE DAMPERS AND SMOKE DAMPERS IN THE SUPPLY AND EXHAUST DUCT. NO AIR WILL BE SUPPLIED/EXHAUSTED INTO/FROM THE CABLE SPREADING ROOM.
- RESETTING OF THE FIRE AND SMOKE DAMPERS WILL BE DONE MANUALLY.

RASTER=516103-1-0.dgn
 DGN=516103-1-0.dgn
 CAD User=ZNS4 Date=11-28-2017

DATE 11-28-2017	REVISION DESCRIPTION Revised Per DFT-74259	DWG SCALE BILL OF MATL SUPDS: DRAWN BY SHEET PAGE REV
D.D. ZNS4		
R.E. FXC2		
I.V. N/A		
P.E. N/A		

MECHANICAL
VENTILATION FLOW DIAGRAMS

DIABLO CANYON POWER PLANT
PACIFIC GAS AND ELECTRIC COMPANY
SAN FRANCISCO, CALIFORNIA

UNIT 1 & 2
516103 1 0 16