

A

B

C

D

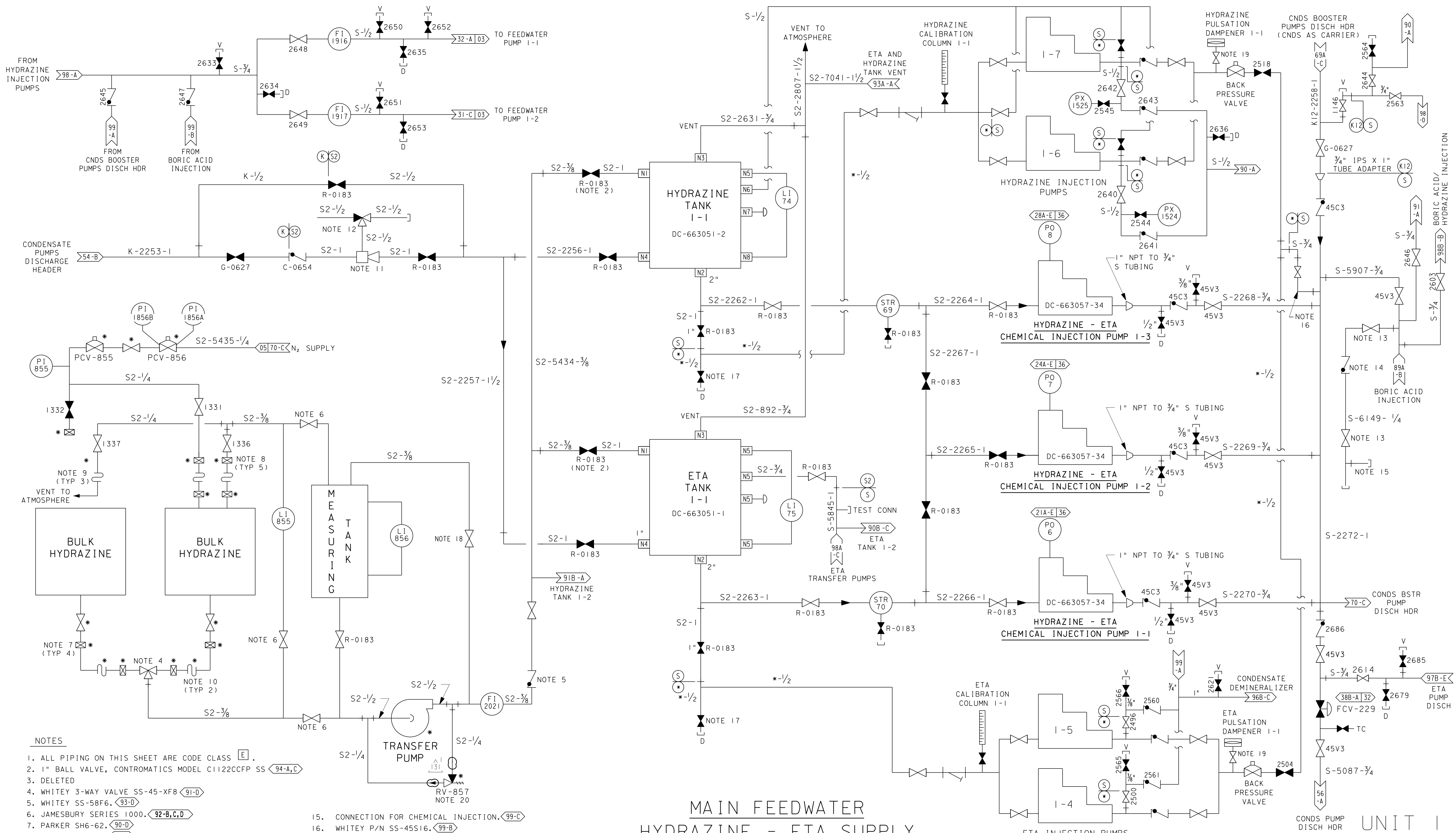
A

B

C

D

E



MAIN FEEDWATER
HYDRAZINE - ETA SUPPLY

UNIT I

DIABLO CANYON POWER PLANT - PG&E CO.
CONDENSATE SYSTEM

DRAWING	SHEET	PAGE	REV
102002	9	0	13

- NOTES
- ALL PIPING ON THIS SHEET ARE CODE CLASS [E].
 - 1" BALL VALVE, CONTROMATICS MODEL C1122CCFP SS (94-A,C)
 - DELETED
 - WHITEY 3-WAY VALVE SS-45-XF8 (91-D)
 - WHITEY SS-58F6. (93-D)
 - JAMESBURY SERIES 1000. (92-B,C,D)
 - PARKER SH6-62. (90-D)
 - PARKER SH2-62. (90-C)
 - 1/4" DIAMETER POLY TUBING. (90-C)
 - 1/2" TEFLON HOSE WITH SS BRAIDING. (91-D)
 - ETA AND HYDRAZINE EDUCTOR (PENBERTHY #63A). (92-B)
 - SS 45 F X 8 (WHITEY). (92-A)
 - NUPRO P/N SS-4P4T1. (99-B) (99-C)
 - NUPRO P/N SS-4C4-10. (99-B)
 - CONNECTION FOR CHEMICAL INJECTION. (99-C)
 - WHITEY P/N SS-45S16. (99-B)
 - APOLLO #76-103 (94-B) (94-D)
 - PBM P/N SPH-31-SW2/F0 (93-C)
 - CONBRACO P/N 76-103-01 (98-A)
 - ACCEPTABLE ALTERNATIVE:
SWAGelok SS-RL4M8F8 - SEE NMOD 60110292 (93-E)

01-09-2020	ZNS4	FXC2	N/A	NOT REQUIRED PER CF3.1D5	-	-	-	Revised Per DFT-7*5071
DATE	DWN	RE	IV	PROFESSIONAL ENGINEER	PE DISC.	PE#	PE EXP.	

RASTER=102002-9-0.dgn
 DGN=102002-9-0.dgn
 CAD User: ZNS4 Date: 01-09-2020