

A

A

B

B

C

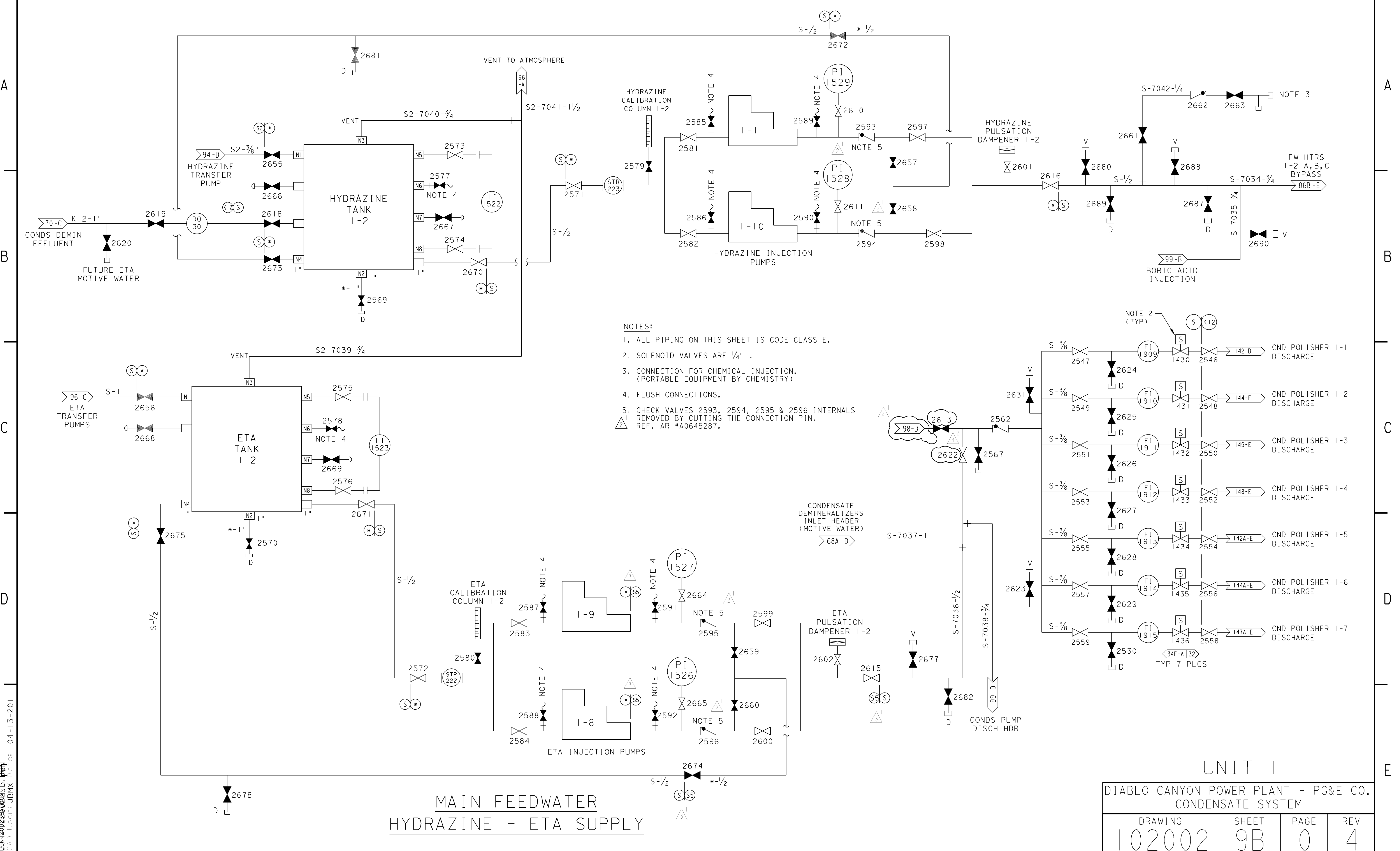
C

D

D

E

E



NOTES:
 1. ALL PIPING ON THIS SHEET IS CODE CLASS E.
 2. SOLENOID VALVES ARE 1/4" .
 3. CONNECTION FOR CHEMICAL INJECTION. (PORTABLE EQUIPMENT BY CHEMISTRY)
 4. FLUSH CONNECTIONS.
 5. CHECK VALVES 2593, 2594, 2595 & 2596 INTERNALS REMOVED BY CUTTING THE CONNECTION PIN. REF. AR #A0645287.

MAIN FEEDWATER
HYDRAZINE - ETA SUPPLY

UNIT I			
DIABLO CANYON POWER PLANT - PG&E CO. CONDENSATE SYSTEM			
DRAWING	SHEET	PAGE	REV
102002	9B	0	4

CAD User: A02002084005
 DWG No: 102002-9B
 CAD User: JBMX Date: 04-13-2011