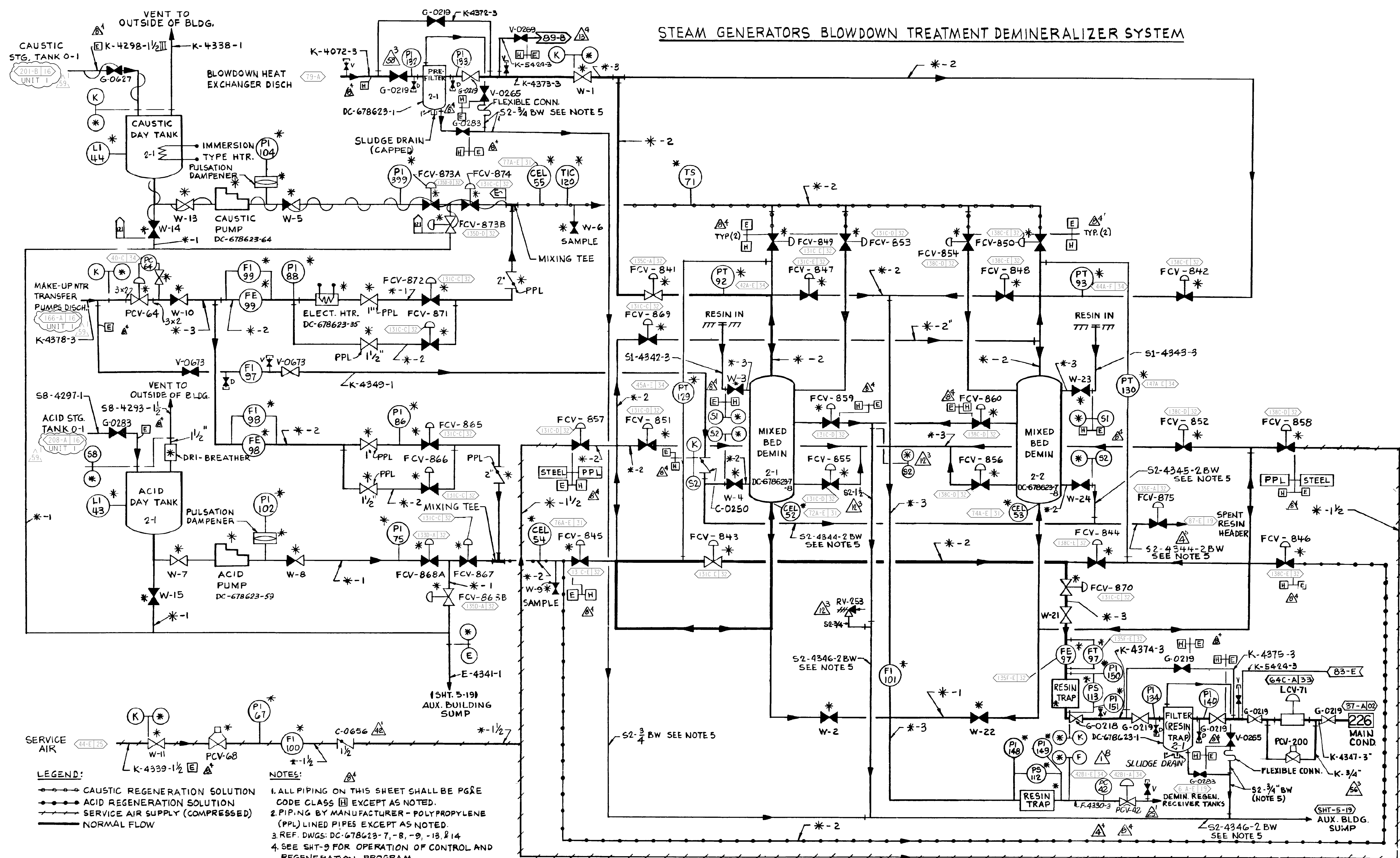


STEAM GENERATORS BLOWDOWN TREATMENT DEMINERALIZER SYSTEM



LEGEND:
 - - - CAUSTIC REGENERATION SOLUTION
 - - - ACID REGENERATION SOLUTION
 - - - SERVICE AIR SUPPLY (COMPRESSED)
 - - - NORMAL FLOW

NOTES:
 1. ALL PIPING ON THIS SHEET SHALL BE PG&E CODE CLASS [H] EXCEPT AS NOTED.
 2. PIPING BY MANUFACTURER - POLYPROPYLENE (PPL) LINED PIPES EXCEPT AS NOTED.
 3. REF. DWGS: DC-678623-7, -8, -9, -13, & 14.
 4. SEE SHT-9 FOR OPERATION OF CONTROL AND REGENERATION PROGRAM.
 5. BW-DENOTES BUTTWELDED. LINES WITH THIS NOTE SHALL HAVE BUTTWELDED JOINTS TO AVOID ENTRAPMENT OF RESIN. (83E, 84B, 85A, 88A/B)

POST SEAL 02-11-13-01-02 BUTTERFLY VALVE WITH IM GEAR OPERATOR 487-1

UNIT 2

DIABLO CANYON POWER PLANT - PG&E CO.			
DRAWING	SHEET	PAGE	REV
108004	8	0	59

02-01-2006	MIBF	KJD3	FRANCIS C. LING	MECHANICAL	M 16098	12/31/2007	REVISED PER FCT-030760
DATE	DWN	RE	PROFESSIONAL ENGINEER	PE DISC.	PE#	PE EXP.	

RASTER=108004sb.dgn
 DGN=108004sb.dgn
 CAD User: MIBF Dgl et: 02-01-2006