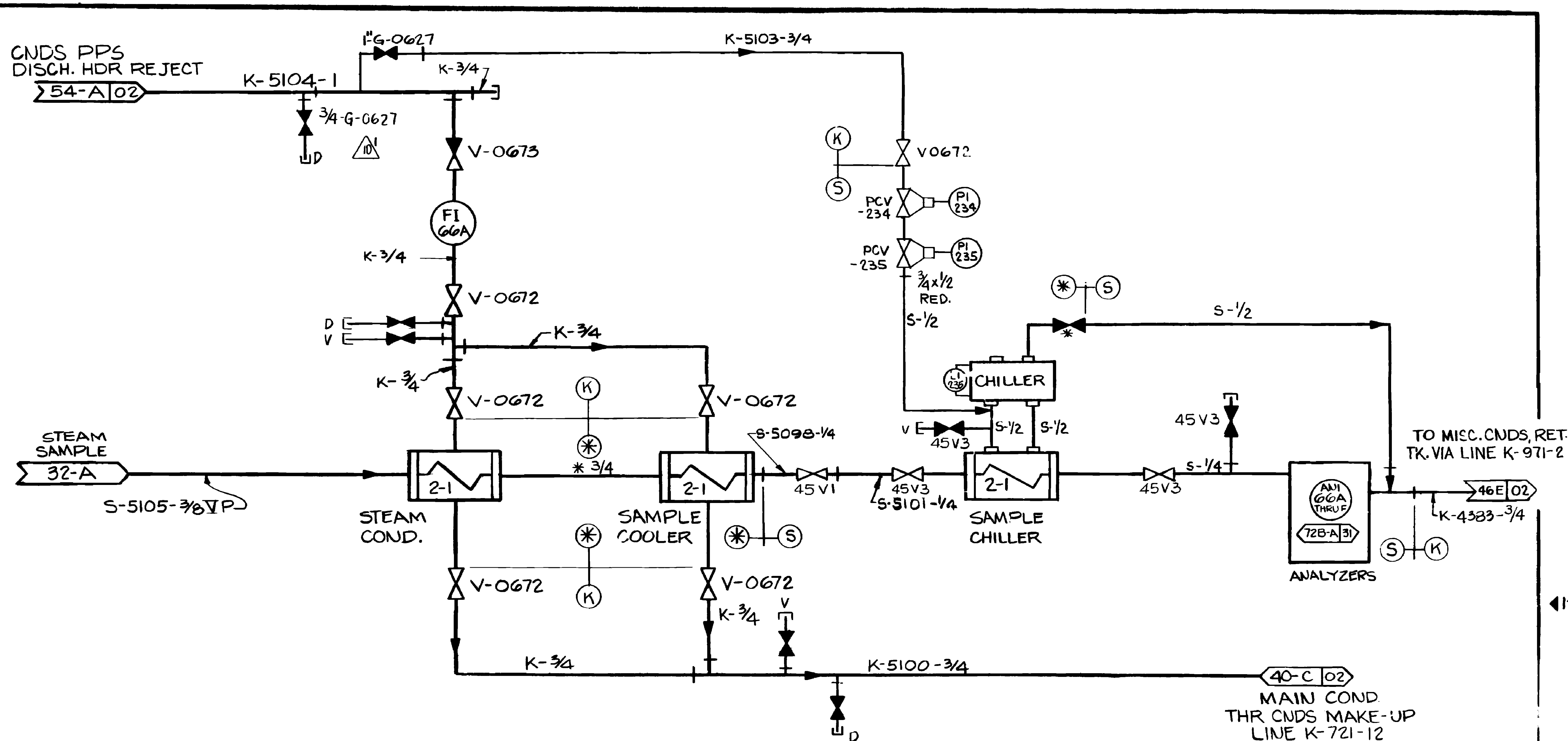


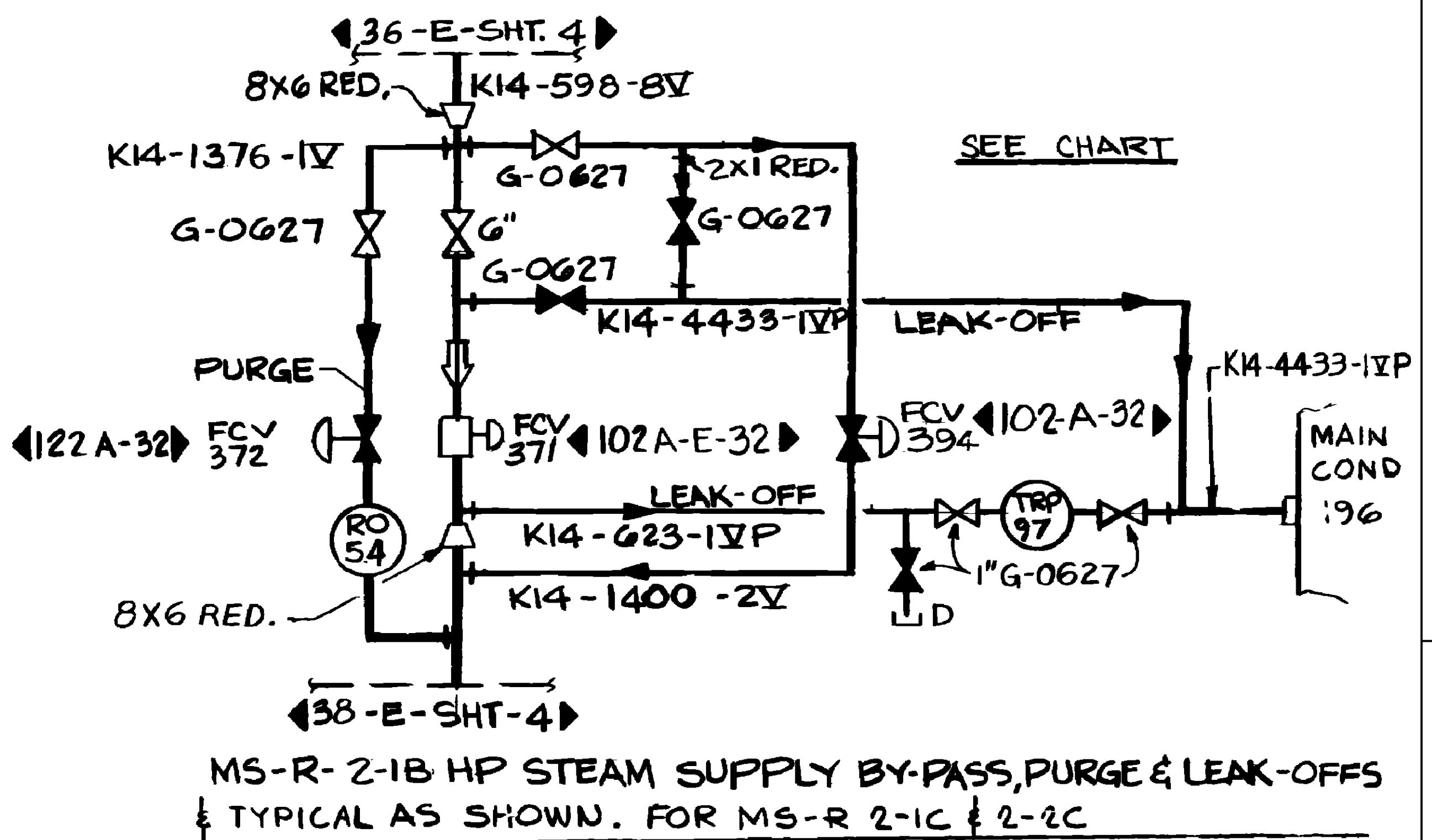
| MOISTURE SEPARATOR - REHEATER HP STEAM SUPPLY |           |                  |      |  |                 |      |            |             |     |                 |    |         |
|---|-----------|------------------|------|--|-----------------|------|------------|-------------|-----|-----------------|----|---------|
| NO  | COORD     | SUPPLY           |      |  | BY-PASS         |      | LEAK-OFF   |             |     | PURGE           |    |         |
|   |           | FCV              | LINE | SHUT OFF VALVES                          | FCV             | LINE | LINE NO    | COND NOZ NO | TRP | FCV             | RO | LINE NO |
| 2-1A  | 34-E-SH 4 | 100A-E-32<br>399 | 597  | ITEM-7 SPEC 8762                         | 101-A-32<br>393 | 1394 | 4432 & 622 | 196         | 96  | 121-A-32<br>400 | 72 | 1334    |
| 2-1B  | 36-E-SH 4 | 102A-E-32<br>371 | 598  | ITEM-7 SPEC 8762                         | 102-A-32<br>394 | 1400 | 4433 & 623 | 196         | 97  | 122-A-32<br>372 | 54 | 1376    |
| 2-1C  | 38-E-SH 4 | 103A-E-32<br>375 | 599  | ITEM 1 SPEC 2547<br>(REF. SAPN 50913340) | 104-A-32<br>395 | 1402 | 4434 & 624 | 196         | 98  | 124-A-32<br>376 | 76 | 1380    |
| 2-2A  | 34-B-SH6  | 105A-E-32<br>401 | 601  | ITEM 1 SPEC 2547<br>(REF. SAPN 50913340) | 105-A-32<br>396 | 1405 | 4435 & 625 | 227         | 99  | 125-A-32<br>402 | 73 | 1335    |
| 2-2B  | 36-B-SH6  | 106A-E-32<br>373 | 602  | ITEM 1 SPEC 2547<br>(REF. SAPN 50913340) | 107-A-32<br>397 | 2156 | 4436 & 639 | 196         | 100 | 127-A-32<br>374 | 55 | 1378    |
| 2-2C  | 38-B-SH6  | 108A-E-32<br>377 | 603  | ITEM-7 SPEC 8762                         | 108-A-32<br>398 | 2284 | 4437 & 640 | 196         | 101 | 128-A-32<br>378 | 77 | 1382    |

MS-R 2-1A & 2-2B  
FOR 2-2B NOS SEE TABULATION

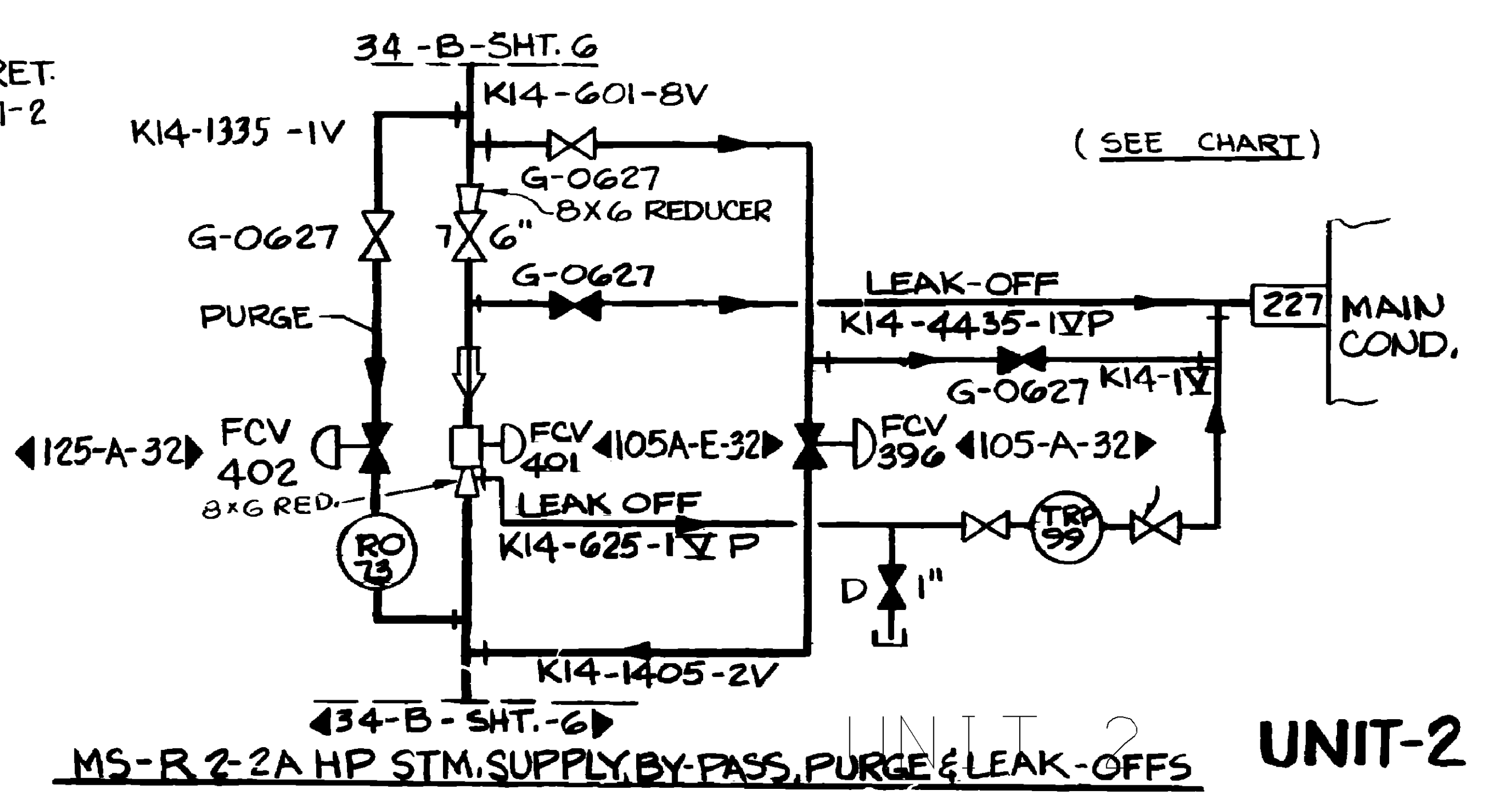
MS-R 2-1A HP STEAM SUPPLY, BYPASS, PURGE & LEAK-OFFS, TYPICAL FOR MS-R-2-2B



MAIN STEAM PURITY ANALYZER



MS-R-2-1B HP STEAM SUPPLY BY-PASS, PURGE & LEAK-OFFS  
TYPICAL AS SHOWN. FOR MS-R 2-1C & 2-2C



MS-R 2-2A HP STM. SUPPLY BY-PASS, PURGE & LEAK-OFFS

|                                      |       |      |     |
|--------------------------------------|-------|------|-----|
| DIABLO CANYON POWER PLANT - PG&E CO. |       |      |     |
| TURBINE STEAM SUPPLY SYSTEM          |       |      |     |
| DRAWING                              | SHEET | PAGE | REV |
| 108004                               | 10    | 0    | 23  |

RASTER=108004s10p0.dgn  
 DGN=108004s10p0.dgn  
 CAD User: ZNS4 Date: 08-10-2017