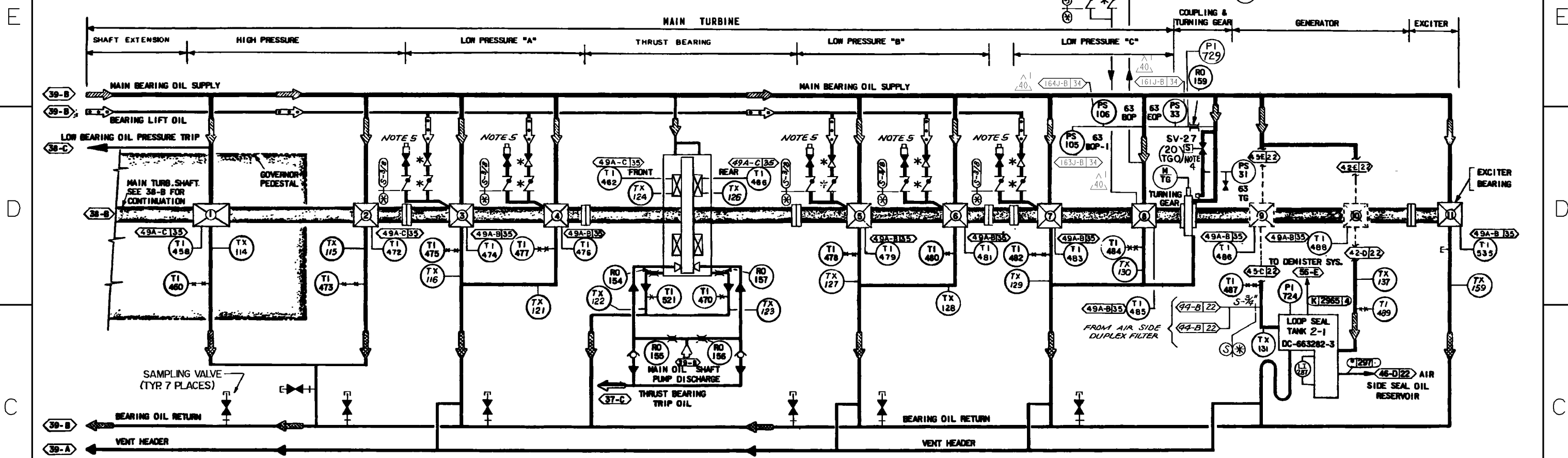
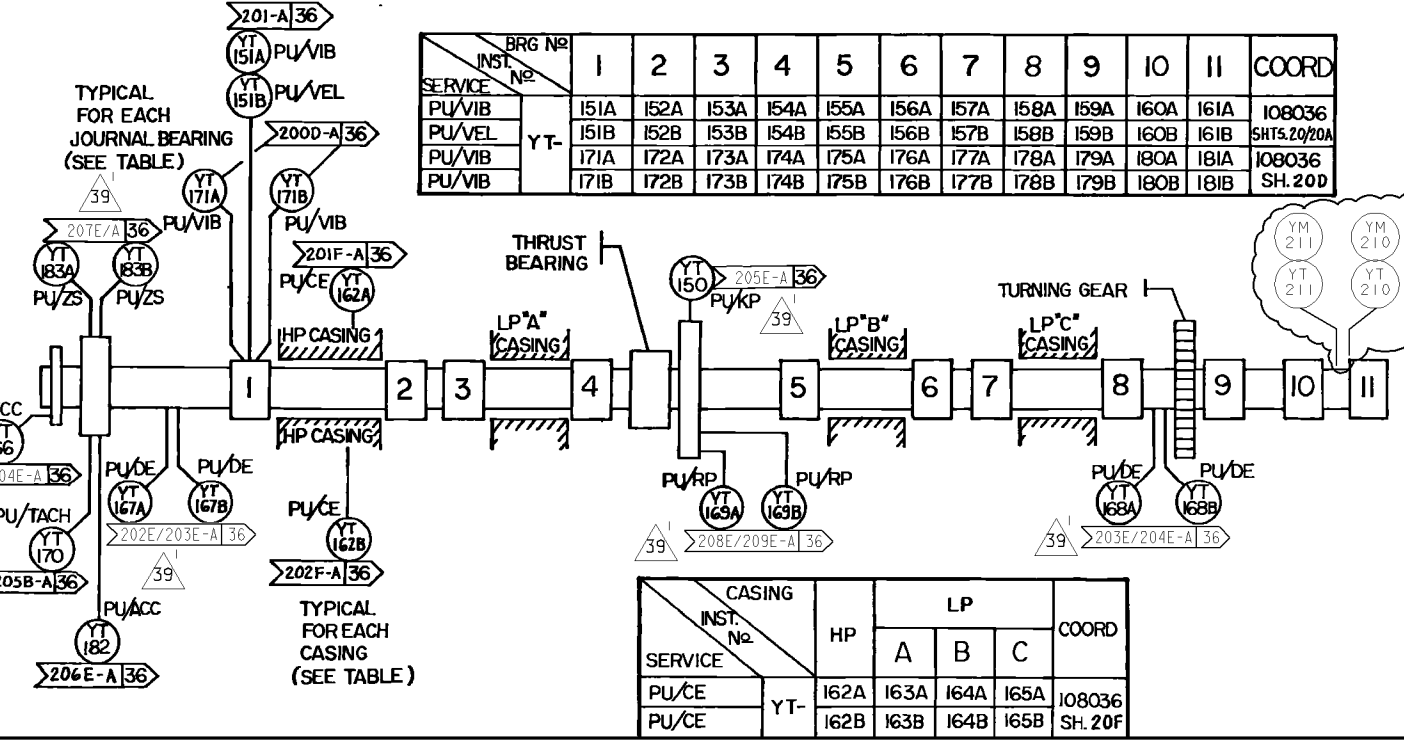
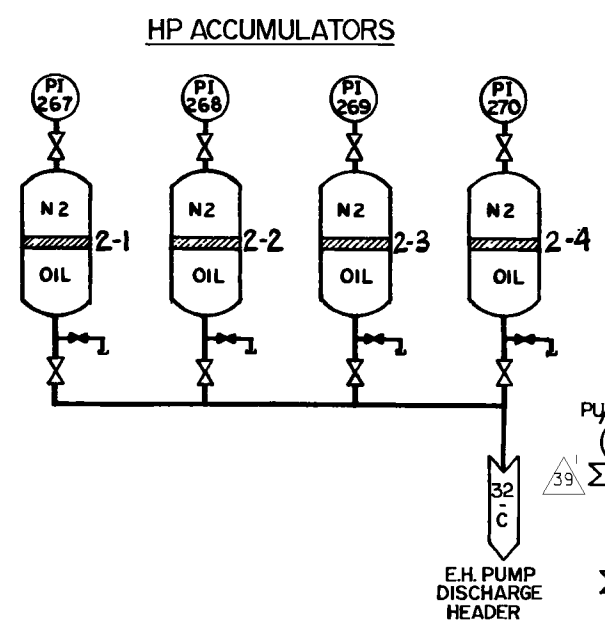


MAIN TURBINE-GENERATOR BEARING LUBRICATION SYSTEM



TURBINE SUPERVISORY INSTRUMENTATION



BRG No	1	2	3	4	5	6	7	8	9	10	11	COORD
SERVICE	151A	152A	153A	154A	155A	156A	157A	158A	159A	160A	161A	108036
PU/VIB	151B	152B	153B	154B	155B	156B	157B	158B	159B	160B	161B	SHTS.20/20A
PU/VEL	171A	172A	173A	174A	175A	176A	177A	178A	179A	180A	181A	108036
PU/VIB	171B	172B	173B	174B	175B	176B	177B	178B	179B	180B	181B	SH.20D

SERVICE	INST. No	LP			COORD	
		HP	A	B		C
PU/CE	YT-	162A	163A	164A	165A	108036
		162B	163B	164B	165B	SH.20F

- NOTES:
- FOR BEARING SEQUENCE SEE DNG. NO. 663280-17 AND WESTINGHOUSE INSTRUCTION BOOK DC-663280-37, TAB 2.
 - FOR PIPING OIL CLEARANCES & EQUIPMENT LOCATION SEE DC-663282-4
 - ALL PIPING & INSTRUMENTS BY (M), UNLESS OTHERWISE NOTED.
 - SOLENOID VALVE WITH MANUAL OPERATOR, C.W. ROTATION FOR MANUAL OPENING, C.C.W. FOR ELECTRIC OPERATION (47-D)
 - END CONNECTION IS A GREASE FITTING FOR MANUALLY PUMPED LIFT OIL, DC-663282-90 (42/46-D) (46/47-E)

UNIT 2

DIABLO CANYON POWER PLANT - PG&E CO.			
LUBE OIL DISTRIBUTION AND PURIFICATION SYSTEM			
DRAWING	SHEET	PAGE	REV
108020	4	0	41

RASTER=1080204.dgn
 DGN=1080204.dgn
 CAD User: MIBF Date:05-31-2006