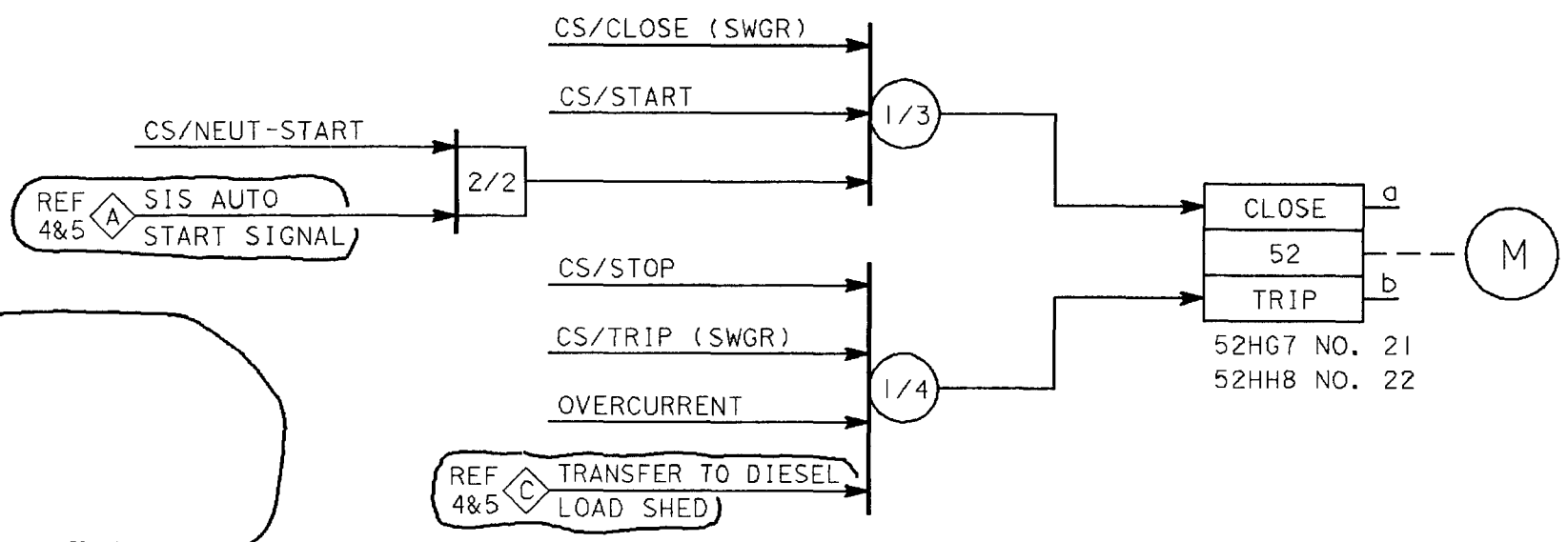
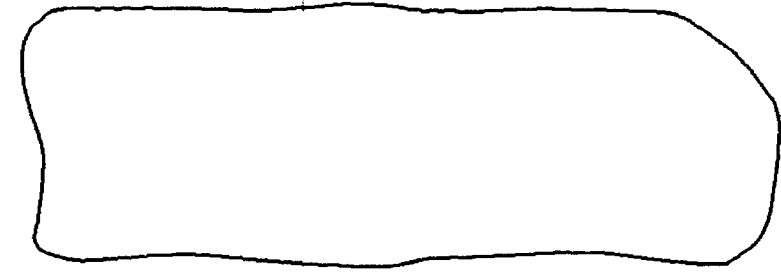


1 2 3 4 5 6 7 8 9 10

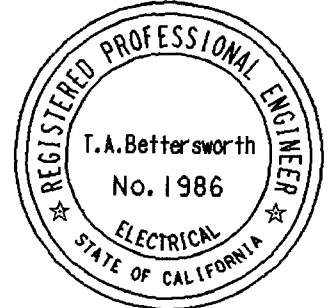
102795

DRAWING SOURCE [A] 70  
 CADD [C] 60  
 MAN HOURS [ ] 59  
 DD CODE [GD] 56  
 MISC [ ] 53  
 DIVISION NAME [B] 52  
 INSTALLATION TYPE [L] 51  
 PROJECT LOCATION [DIABLO] 48-50  
 UNIT NO. [2] 42-44  
 DRAWING TITLE [CONTAINMENT SPRAY PUMPS] 16-44  
 DWG TYPE [4] 14



REFERENCES	DWG NO.
1. SCH DIAG CONTAINMENT SPRAY.	441307
2. LOGIC DIAG SYMBOLS	19425
3. SLM&R DIAG 4KV BUS G & H	441230
4. LOGIC DIAG 4KV BUS G AUTO TRANSFER	441297
5. LOGIC DIAG 4KV BUS H AUTO TRANSFER	441337

RM INDEXED REV. 2



COAST VALLEYS DIVISION

MICROFILM 3

BILL OF MATL

DWG LIST

SUPSDS

SUPSD BY

SHEET NO. SHEETS

102795 3

# NUCLEAR SAFETY RELATED

UNIT 2

LOGIC DIAGRAM  
CONTAINMENT SPRAY PUMPS

DIABLO CANYON

DEPARTMENT OF ENGINEERING  
PACIFIC GAS AND ELECTRIC COMPANY  
SAN FRANCISCO, CALIFORNIA

3	M. Basu	<i>[Signature]</i>	R12314	12/31/94
REV	REGISTERED ENGINEER	SIGNATURE	CA REG NO.	EXP DATE

KEY DWG--SECTION 3

NO.	DATE	DESCRIPTION	GM/SPEC	DWN	CHKD	SUPV	APVD BY
3	1-14-94	REDRAWN; REV LOGIC; DEL NOTE; ADD REF 4 & 5 (FCT-16395)		DWL	wg	LD	mt NP
2	3-2-83	RES LOGIC INPUT CNT SPRAY (DC2-EE-4377) SAN 281	169972	WC	LCV	JC	JEH SA
1	9-30-75	APPROVED FOR CONSTRUCTION	169972		EZ		LRW

REVISIONS

APPROVED BY	GM 169972
	SUPV H. HERTING
LRW	DSGN E. ZEITER
	DWN
DN	CHKD EZ
	OK HH DPJ
JWC	DATE 9-23-75
TAB	SCALES NONE