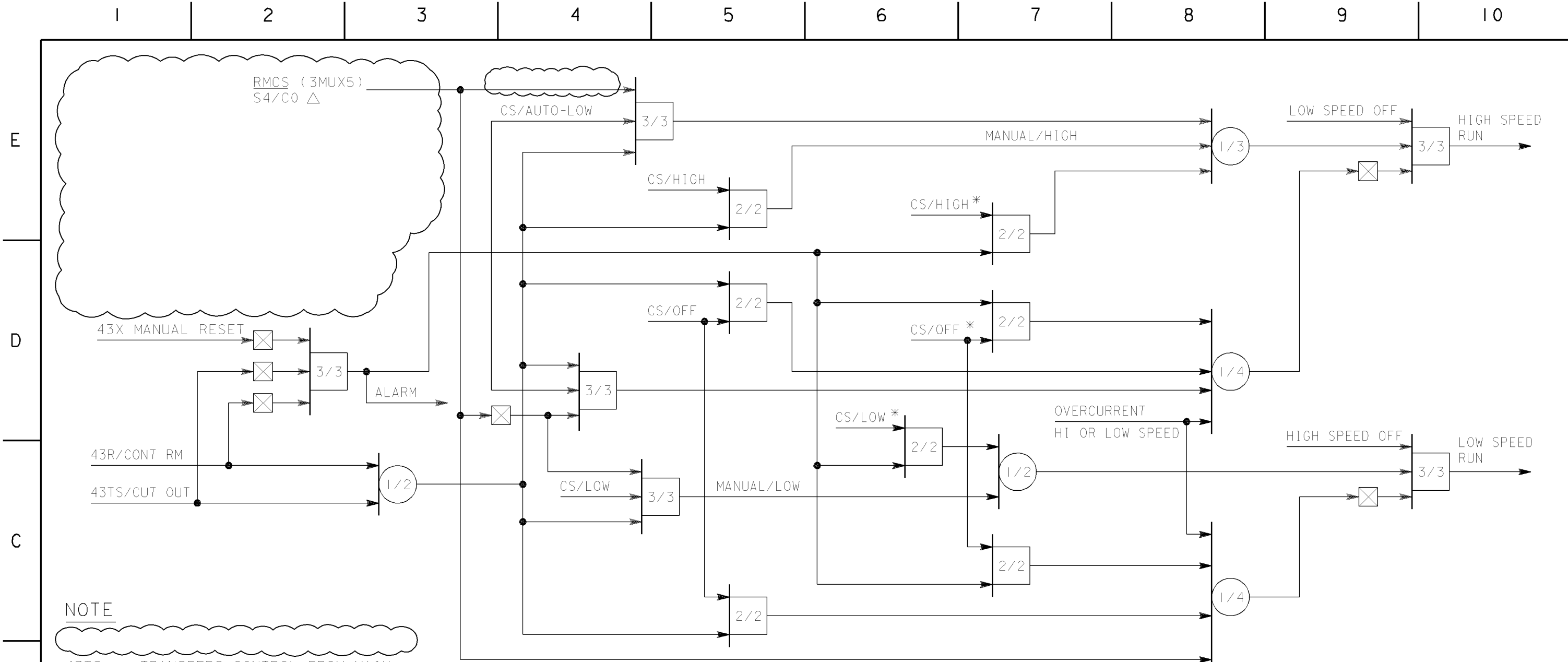


RASTER=19414.dgn
 DGN=19414.dgn
 CAD User:RXG2 Date:06-11-2007



NOTE

43TS - TRANSFERS CONTROL FROM MAIN OR CONTROL BOARD TO HOT SHUT-DOWN PANEL (HSP) 43R LOCATED AT HSP, 43/TS LOCATED AT MCC

* - CS LOCATED AT HOT SHUT DOWN PANEL

△ - SIGNAL FROM RMCS-RNARB PLC OUTPUT S4/C0.

REFERENCE

- CHEMICAL & VOLUME CONTROL SYS _____ 437597
- SCH DIAG RC M-U SYST _____ 437596

DWG NO.

NUCLEAR SAFETY RELATED

KEY DWG. SECTION 3

UNIT I

A	DATE 06-11-2007			REVISION DESCRIPTION REVISED PER DCI-SE-049779-00		ELECTRICAL LOGIC DIAGRAM BORIC ACID TRANSFER PUMPS DIABLO CANYON POWER PLANT PACIFIC GAS AND ELECTRIC COMPANY SAN FRANCISCO, CALIFORNIA				DWG SCALE:			
	D.D.	RxG2		BILL OF MATL:									
	R.E.	FxC2		SUPSDS:									
	I.V.			SUPSD BY:									
	P.E.	RWB7		DRAWING 19414	SHEET 1					PAGE 0	REV 3		