

60B

61B

62B

63B

64B

65B

66B

67B

68B

69B

E

D

C

B

A

E

D

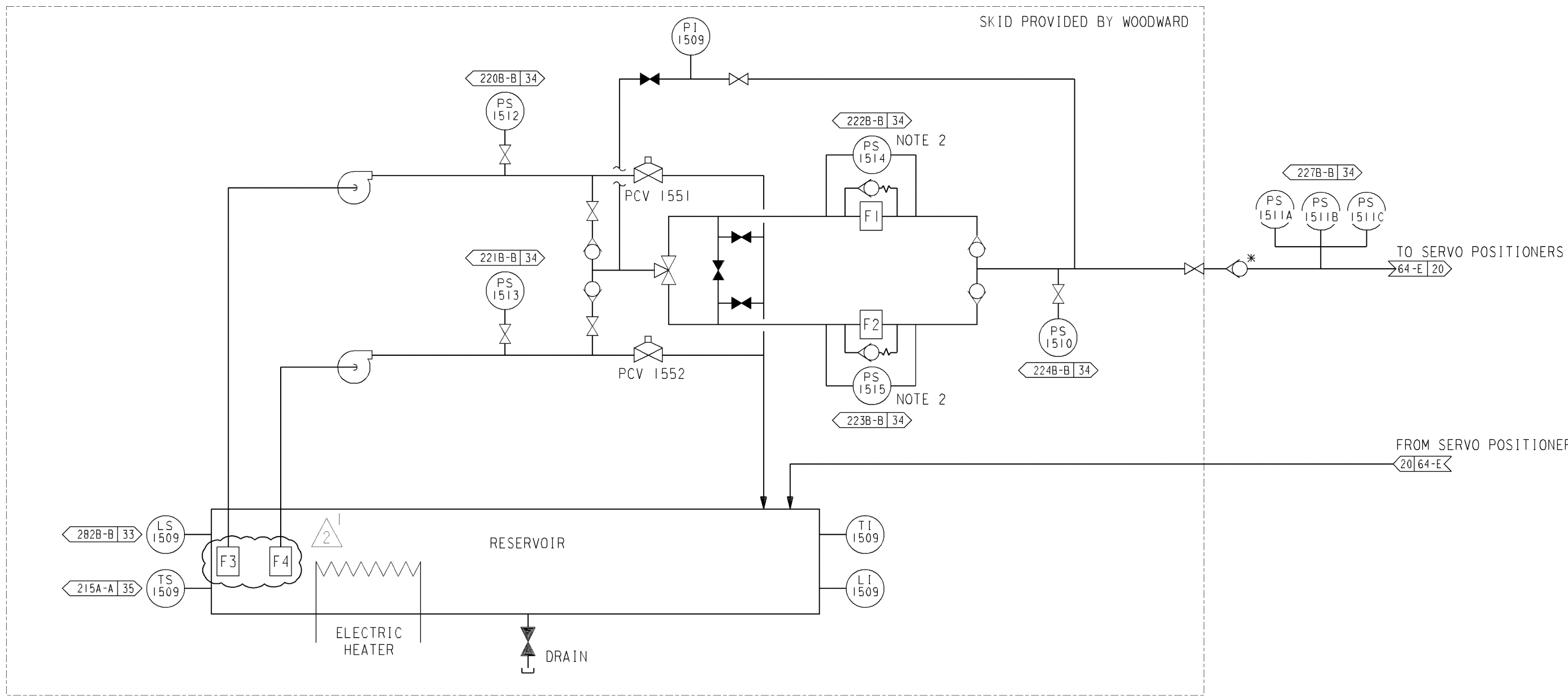
C

B

A

INSTR CLASS II

SKID PROVIDED BY WOODWARD



FWP 2-1 HYDRAULIC POWER UNIT

NOTES:

- 1. FWP 2-1 IS SHOWN. FOR FWP 2-2 INSTRUMENT NUMBERS SEE TABLE ON SH. 7.
- 2. BYPASS AND DIFFERENTIAL PRESS SWITCH ARE PART OF FILTER HOUSING.
- \* PROVIDED BY WOODWARD

UNIT 2

DIABLO CANYON POWER PLANT - PG&E CO.			
LUBE OIL DISTRIBUTION AND PURIFICATION SYSTEMS			
DRAWING	SHEET	PAGE	REV
108020	6B	0	2

RASTER=108020.s6B.dgn  
 DGN=108020.s6B.dgn  
 CAD User: ZNS4 Date:07-01-2015

INPGIC  
1 Size

07-01-2015	ZNS4	FxC2	KJD3	NOT REQUIRED PER CF3.ID5	-	-	-	REVISED PER DFT-7*3177
DATE	DWN	RE	IV	PROFESSIONAL ENGINEER	PE DISC.	PE#	PE EXP.	