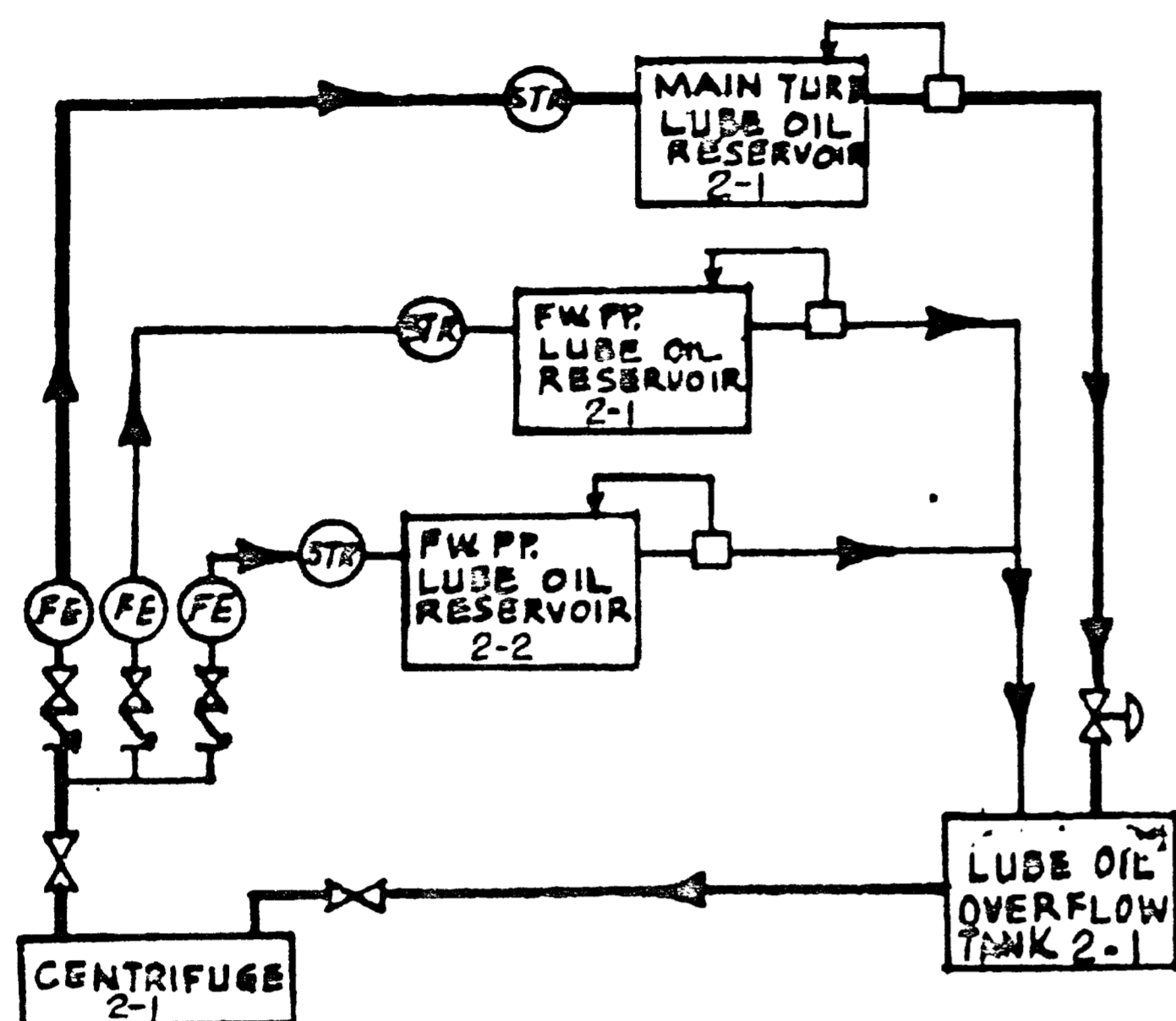


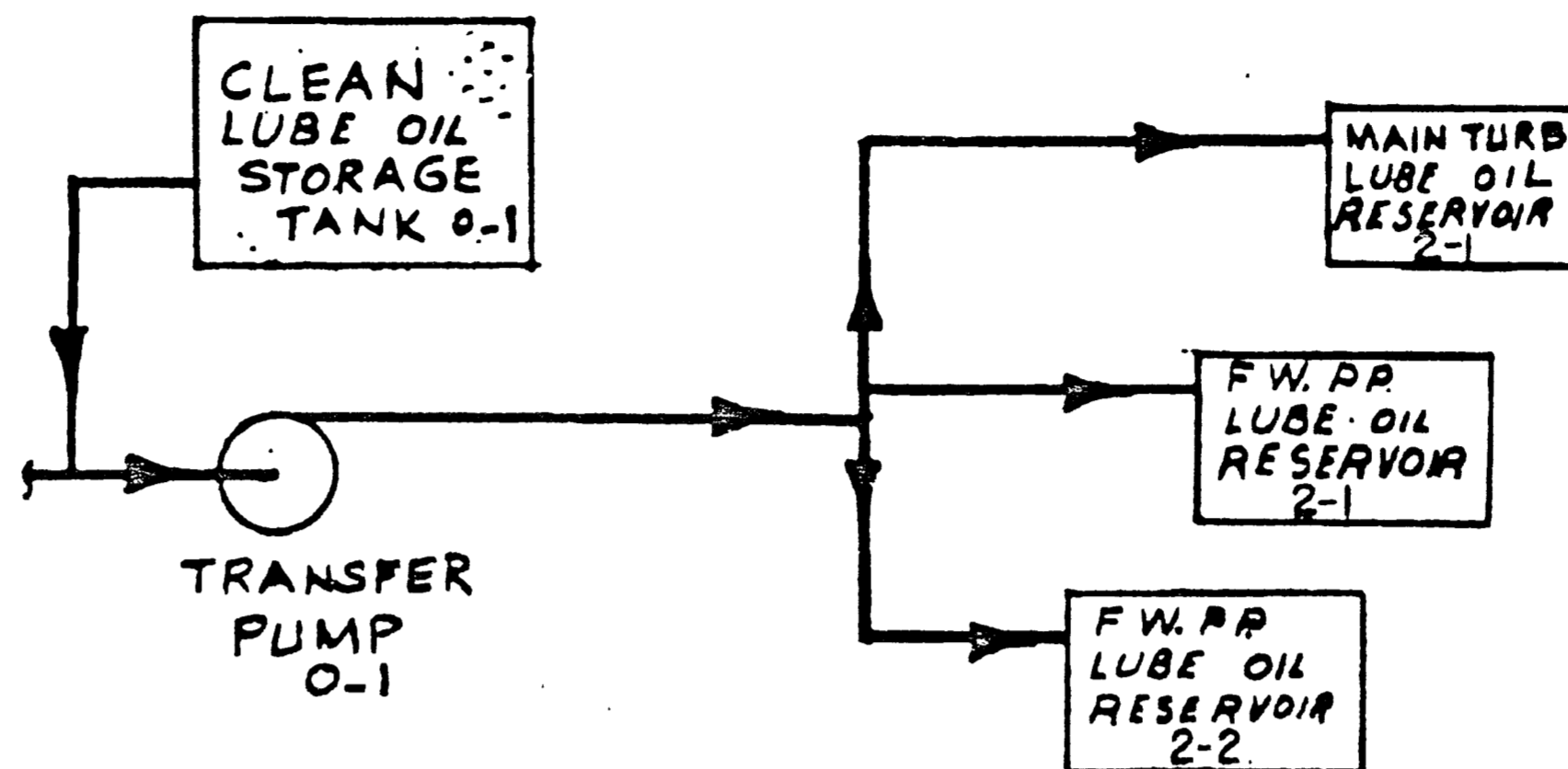
1 NORMAL OPERATION

CENTRIFUGE SYSTEM CONTINUOUSLY RECIRCULATES AND CLEANS LUBE OIL THRU THE 3 RESERVOIRS.



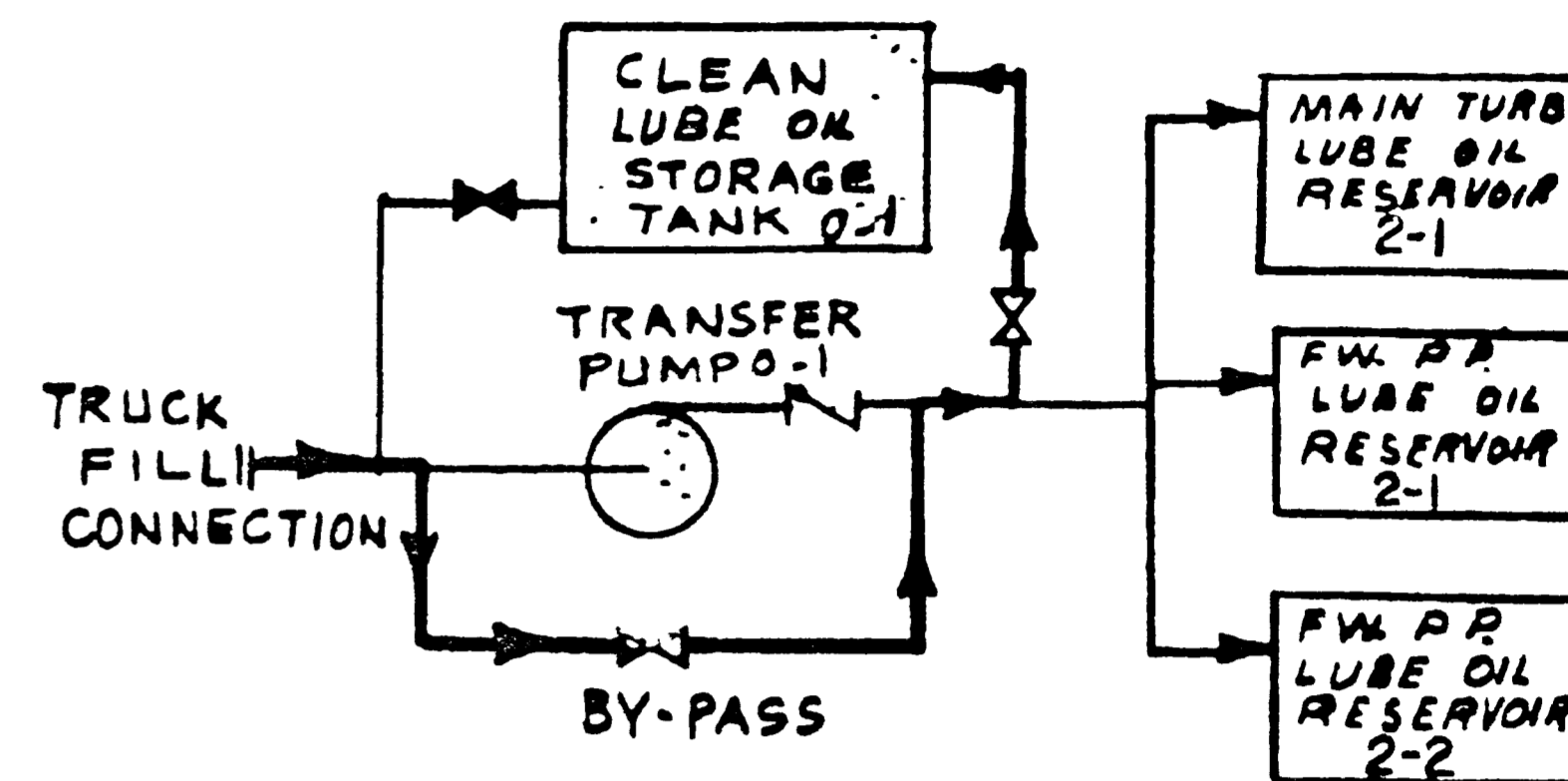
3 START UP

FILL MAIN TURBINE & FW.P.P. LUBE OIL RESERVOIRS FROM CLEAN OIL TANK, USING TRANSFER PUMP.



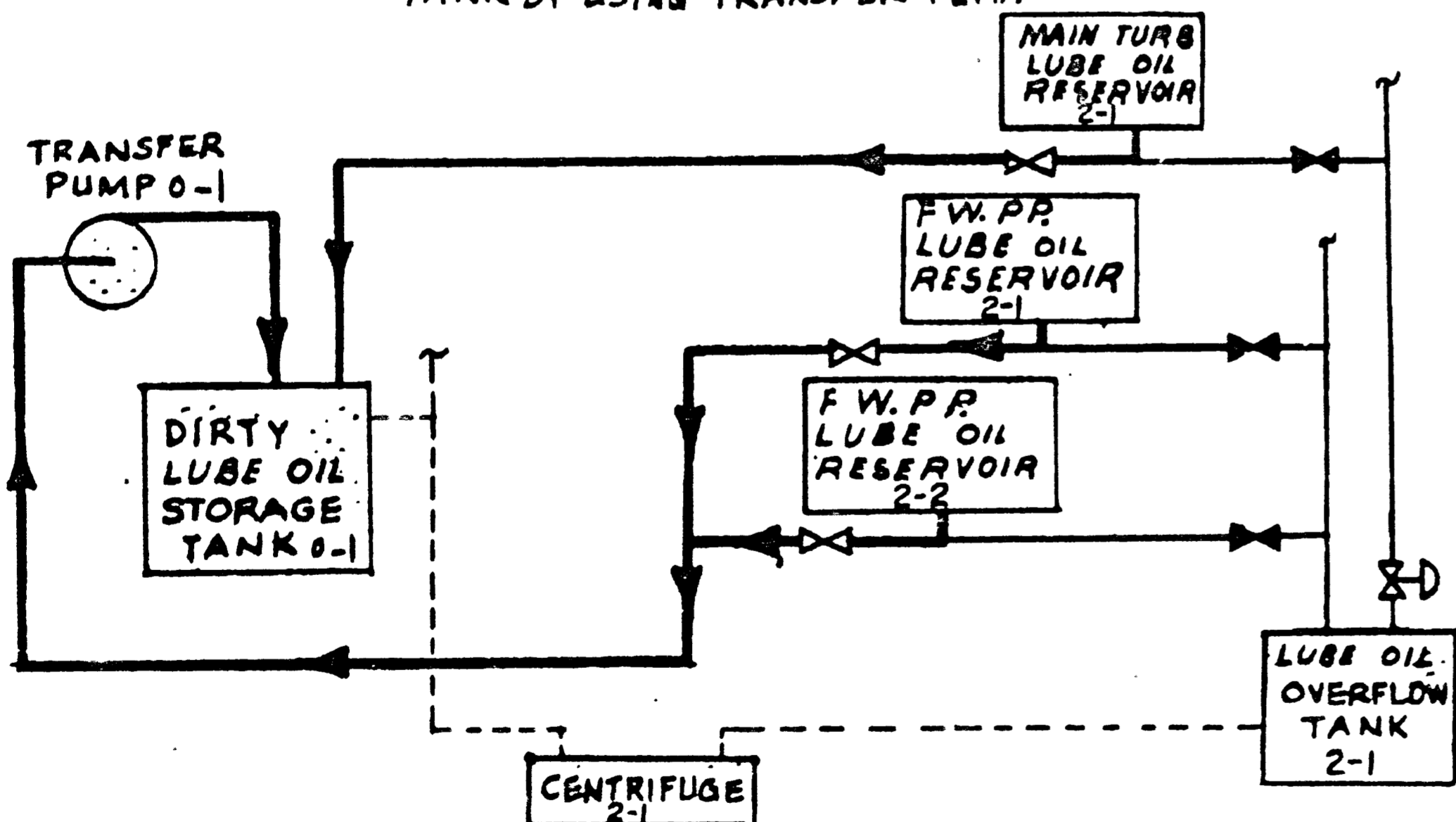
5 TRUCK FILL

USE BY-PASS AROUND TRANSFER PUMP WHEN TRUCK PUMP IS USED. TRANSFER PUMP MAYBE USED AS AN ALTERNATE TO TRUCK PUMP.



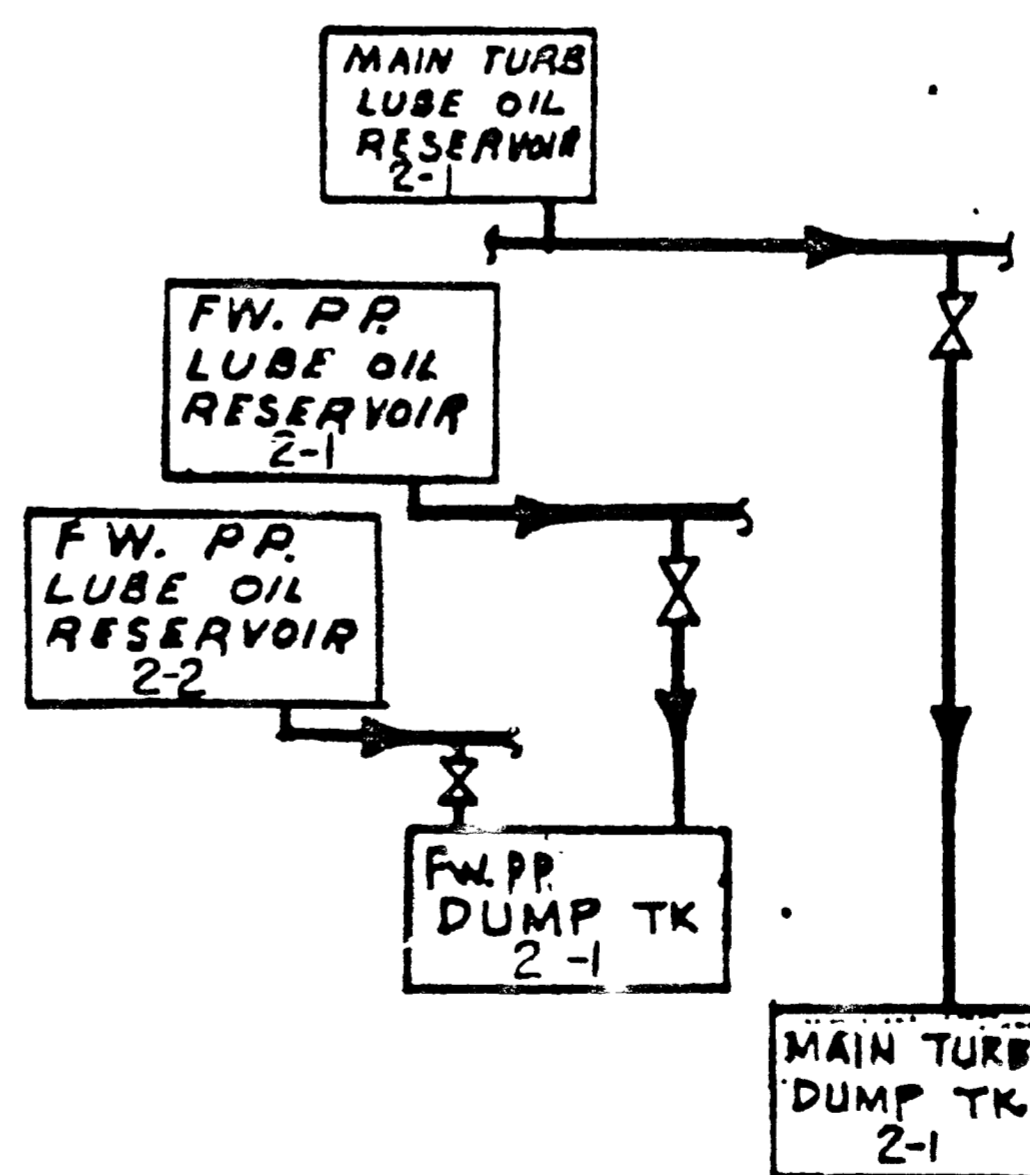
2 DRAIN RESERVOIRS

DRAIN MAIN TURBINE LUBE OIL RESERVOIR TO DIRTY LUBE OIL TANK BY GRAVITY. DRAIN FW.P.P. RESERVOIRS TO DIRTY LUBE OIL STORAGE TANK BY USING TRANSFER PUMP.



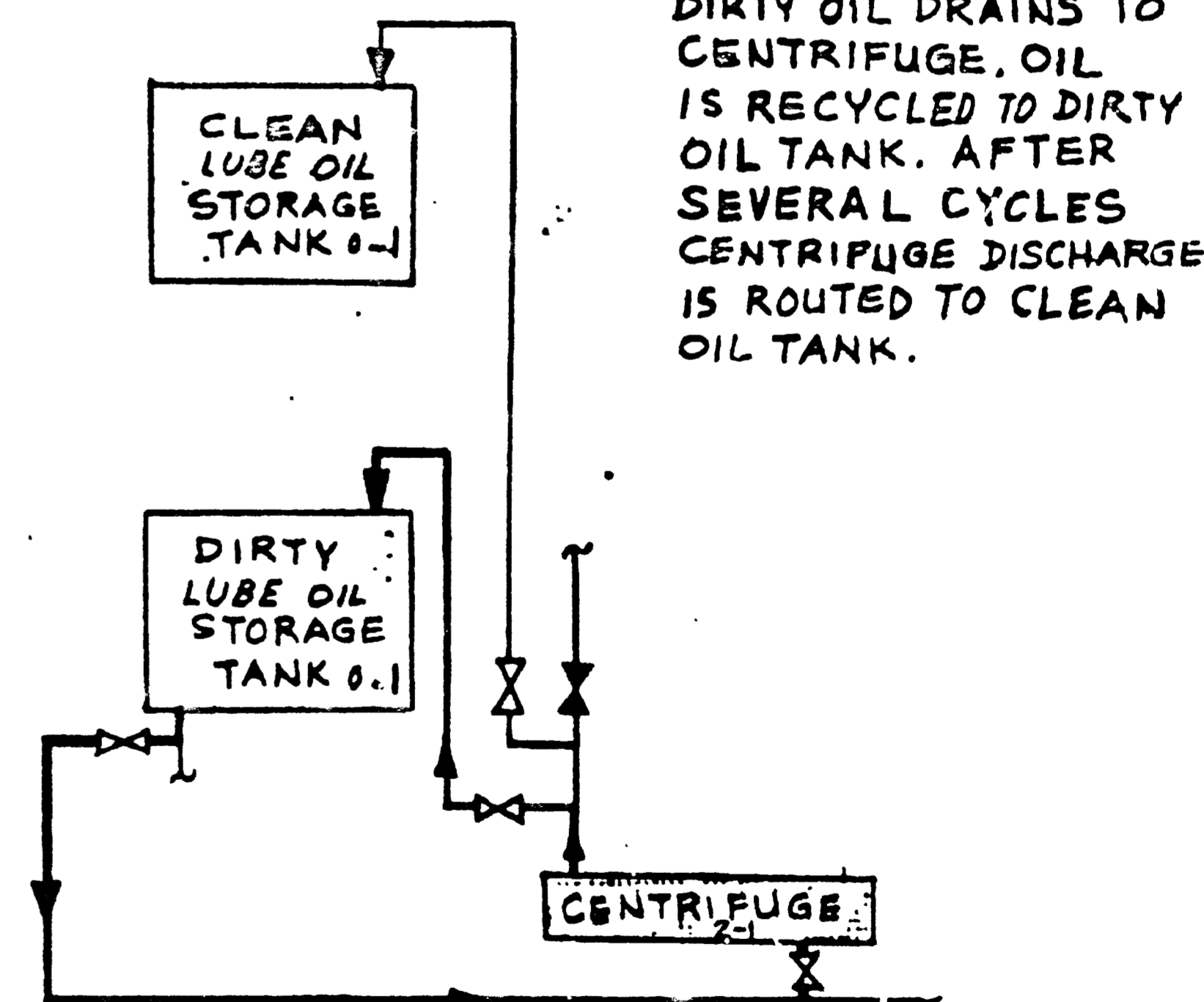
4 EMERGENCY DUMP

MANUALLY OPEN DRAIN VALVES TO DUMP TANKS



6 CLEANING DIRTY OIL

DIRTY OIL DRAINS TO CENTRIFUGE, OIL IS RECYCLED TO DIRTY OIL TANK. AFTER SEVERAL CYCLES CENTRIFUGE DISCHARGE IS ROUTED TO CLEAN OIL TANK.



UNIT - 2

P.G. & E. CO.		DRAWING NUMBER	REVISION
SHEET 11 OF 10 SHEETS		108020	10

RM INDEXED REV. 10

MICROFILM 10

SCANNED 10

SCAN 10

THIS DRAWING HAS BEEN REPRODUCED WITHOUT CHANGE FROM ORIGINAL DRAWING CHANGE NO. DATE APPROVED