

# PLANT VENT EXHAUST & MONITORS

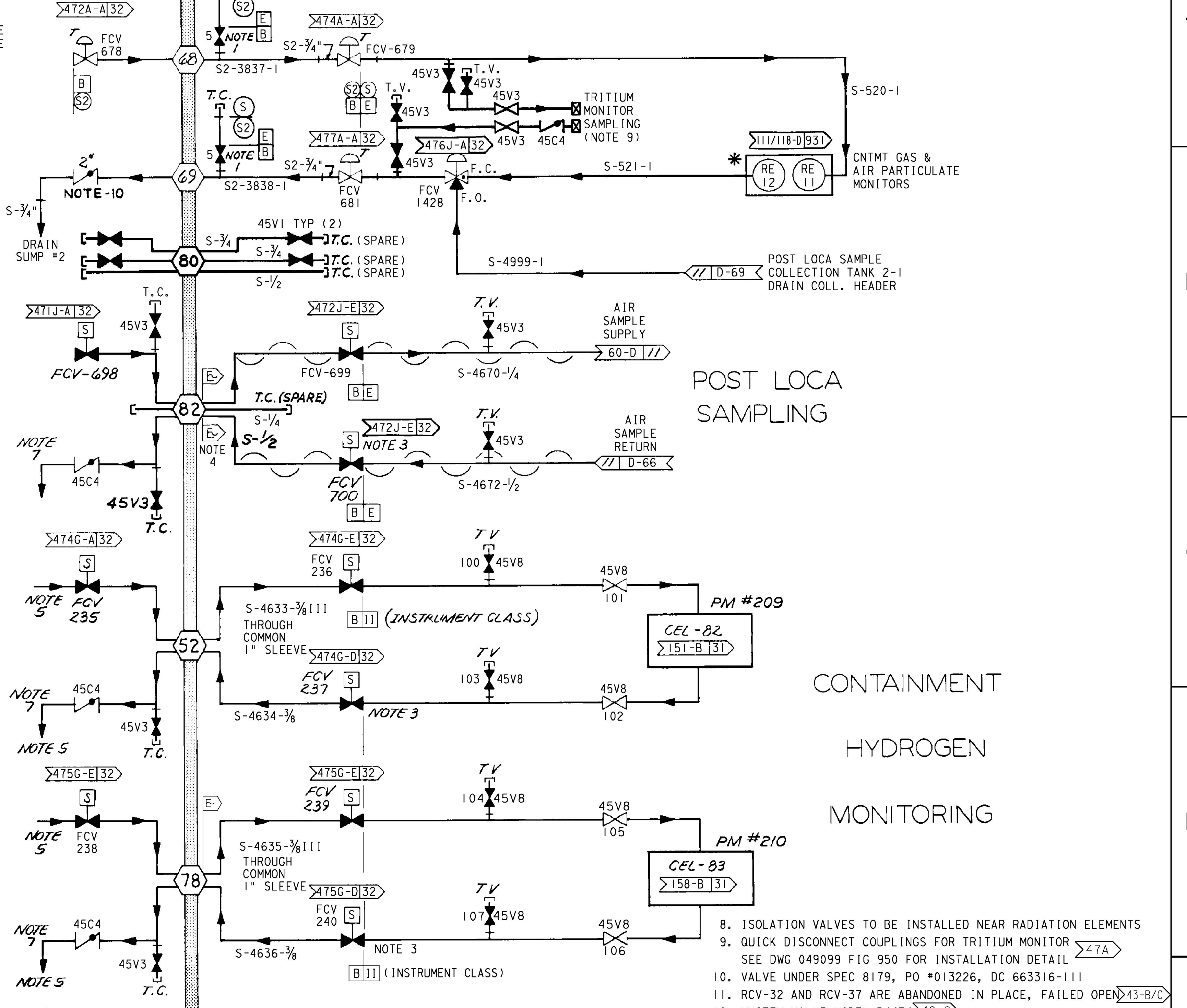
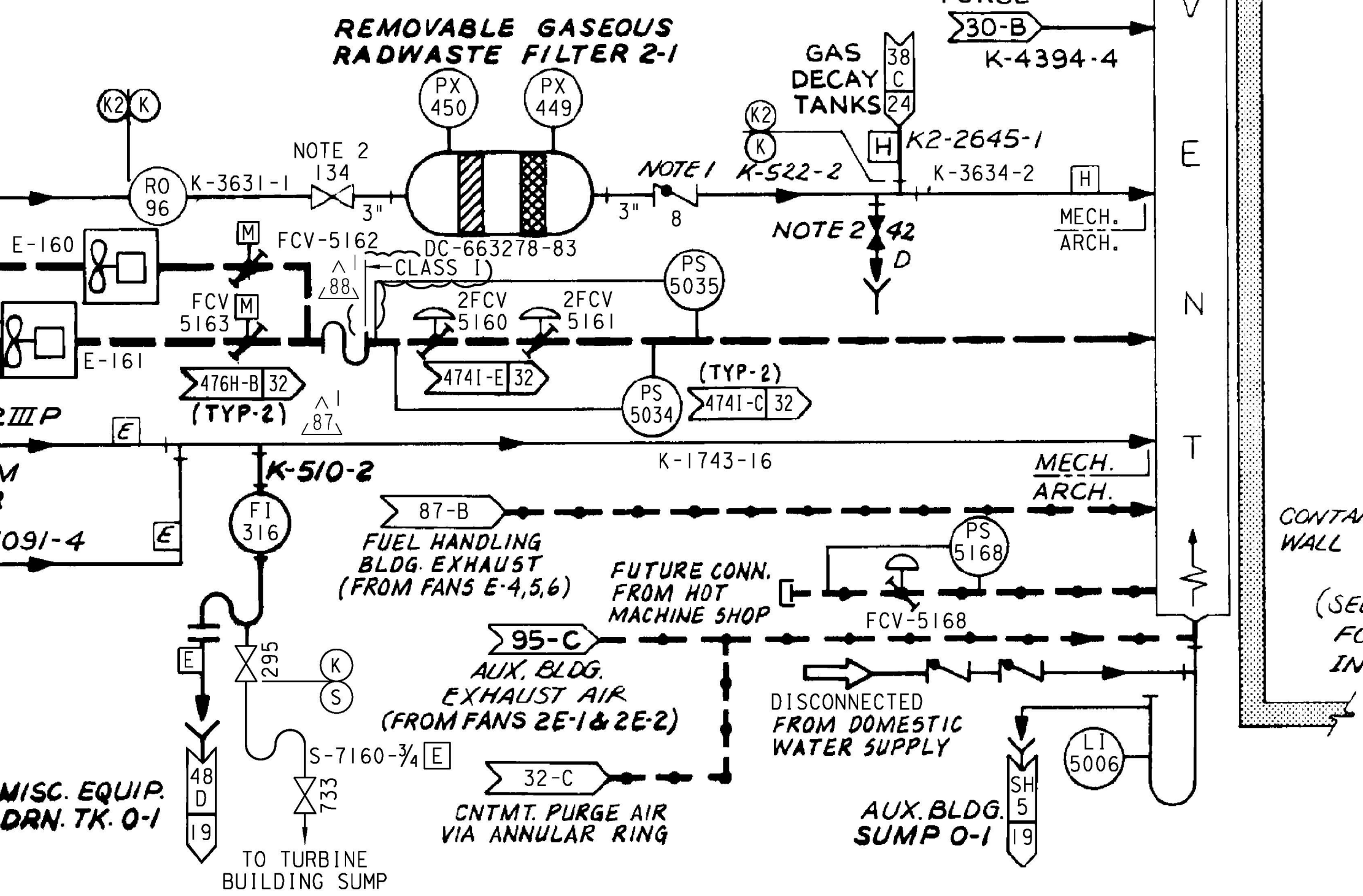
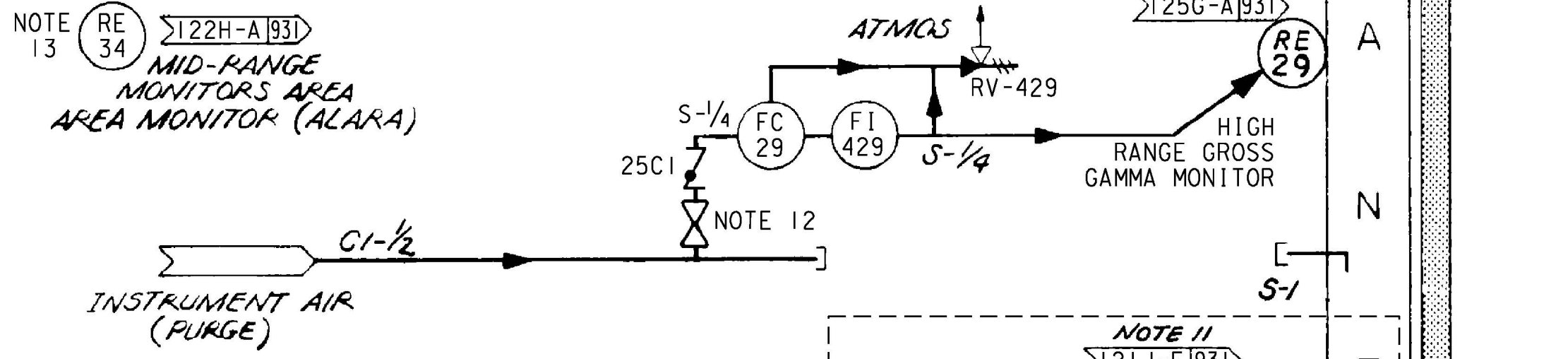
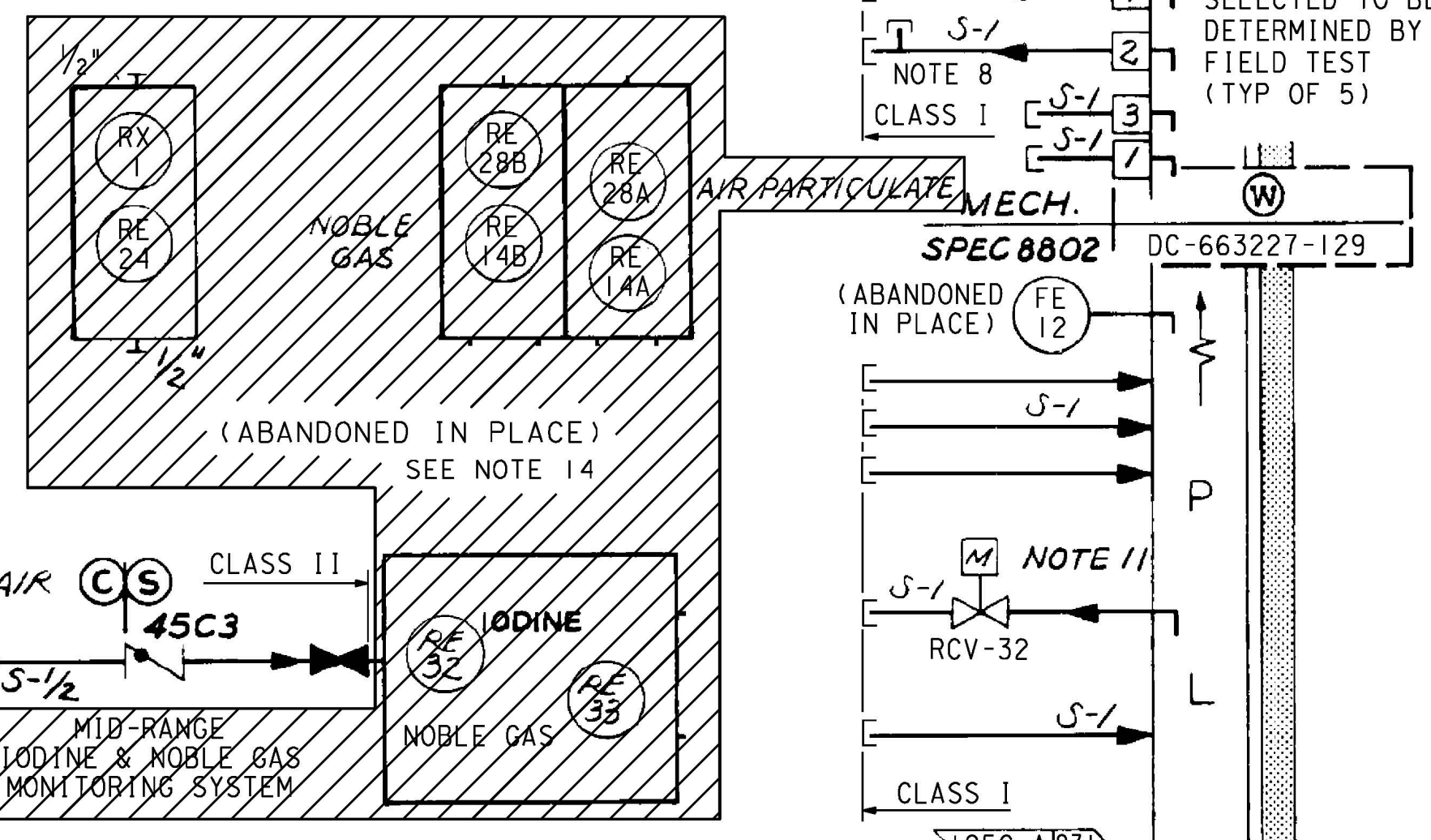
# CONTAINMENT ATMOSPHERE MONITORS & SAMPLING

A AIR PARTICULATE & NOBLE GAS MONITORING

B HIGH LEVEL RADIATION MONITORING

C CONTAINMENT HYDROGEN MONITORING

D PLANT MISC. EXHAUST



- 8. ISOLATION VALVES TO BE INSTALLED NEAR RADIATION ELEMENTS
- 9. QUICK DISCONNECT COUPLINGS FOR TRITIUM MONITOR SEE DWG 049099 FIG 950 FOR INSTALLATION DETAIL
- 10. VALVE UNDER SPEC 8179, PO #013226, DC 663316-1111
- 11. RCV-32 AND RCV-37 ARE ABANDONED IN PLACE, FAILED OPEN
- 12. WHITEY VALVE MODEL B44F4
- 13. INSTRUMENT IS PIMS SYS 39
- 14. RE-24, RE-28A/B, RE-14A/B, RE-32 & RE-33 ARE ABANDONED IN PLACE. REFER TO DWG. 049099 SH.7A, 7B & 11.

- NOTES:
1. VALVE UNDER SPEC 0722, SEE PG&E DWG 102039
  2. VALVE UNDER SPEC 8729, SEE PG&E DWG 102039
  3. INSTALLED IN REVERSE TO NORMAL FLOW DIRECTION TO MEET CONTAINMENT ISOLATION REQUIREMENTS
  4. CONTAINMENT AIR SAMPLE & RETURN TUBING SHALL PASS THROUGH A COMMON 2" SLEEVE SEE DWG 501915 FOR DETAILS, DWG 501035 FOR A COMPREHENSIVE LISTING OF MECHANICAL & ELECTRICAL PENETRATIONS
  5. END PROVISION FOR LEAK RATE TESTING
  6. DELETED
  7. ELBOW TURNED DOWN (KEEP, CLEAR)

UNIT 2

DIABLO CANYON POWER PLANT - PG&E CO. VENTILATION & AIR CONDITIONING SYSTEMS

DRAWING	SHEET	PAGE	REV
108023	4	0	88