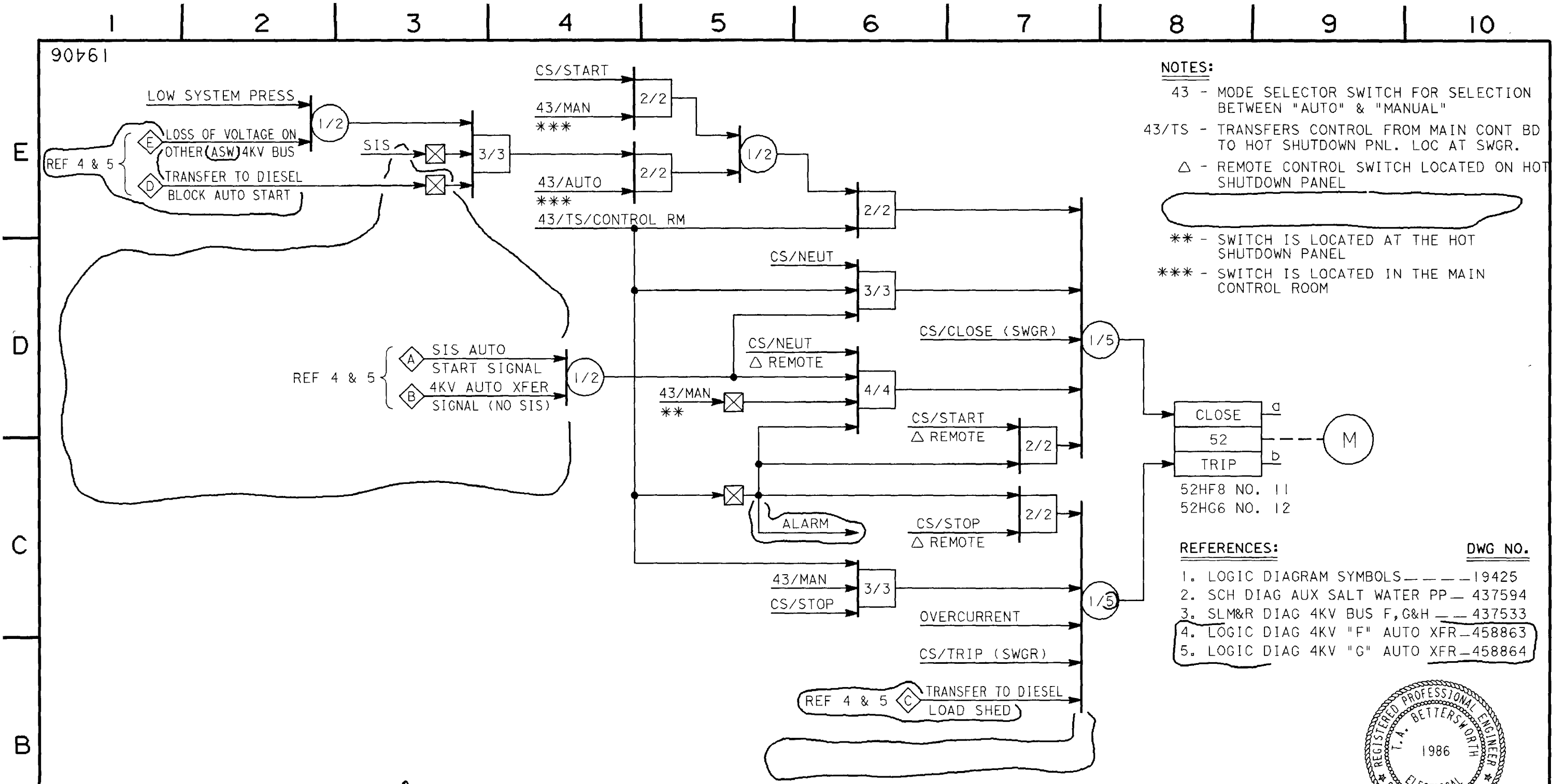


90761



**NOTES:**  
 43 - MODE SELECTOR SWITCH FOR SELECTION BETWEEN "AUTO" & "MANUAL"  
 43/TS - TRANSFERS CONTROL FROM MAIN CONT BD TO HOT SHUTDOWN PNL. LOC AT SWGR.  
 Δ - REMOTE CONTROL SWITCH LOCATED ON HOT SHUTDOWN PANEL  
 \*\* - SWITCH IS LOCATED AT THE HOT SHUTDOWN PANEL  
 \*\*\* - SWITCH IS LOCATED IN THE MAIN CONTROL ROOM

- REFERENCES:**
- |    | DWG NO.                              |
|----|--------------------------------------|
| 1. | LOGIC DIAGRAM SYMBOLS — 19425        |
| 2. | SCH DIAG AUX SALT WATER PP — 437594  |
| 3. | SLM&R DIAG 4KV BUS F, G&H — 437533   |
| 4. | LOGIC DIAG 4KV "F" AUTO XFR — 458863 |
| 5. | LOGIC DIAG 4KV "G" AUTO XFR — 458864 |



4	M. Brown	<i>[Signature]</i>	C12314	12/31/94
REV	REGISTERED ENGINEER	SIGNATURE	CA REG NO	EXP DATE

KEY ELEC SECT 3  
 RM INDEXED REV 3

**NUCLEAR SAFETY RELATED**  
 UNIT 1

COAST VALLEYS DIVISION

NO.	DATE	DESCRIPTION	GM	DWN.	CHKD.	SUPV.	APVD.
4	1-19-94	REDRAWN; REV LOGIC & NOTES; ADD REF 4 & 5 (FCT-16395)	WAA	WJ	WJ	WJ	WJ
3	12-1-92	REV AS PER LOGIC DIAGRAM (FCT-14621, DCI-EE-47591 & -47593)	MS	VAL	DSW		MB
1	2-16-73	MISC CHGS APPROVED FOR CONSTRUCTION(M)		EZ		LRW	DN

APPROVED BY	GM 167027
LRW	SUPV. H. HERTING
JBG/DN	DSGN. E. ZEITER
JWC	DWN. E.Z.
TAB	CHKD. GVZ/HH
	O.K. EZ HH
	DATE 11-25-69
	SCALES NONE

LOGIC DIAGRAM  
 AUXILIARY SALT WATER PUMPS  
 DIABLO CANYON  
 DEPARTMENT OF ENGINEERING  
**PACIFIC GAS AND ELECTRIC COMPANY**  
 SAN FRANCISCO, CALIFORNIA

MICROFILM	4
BILL OF MATL	
DWG LIST	
SUPSDS	
SUPSD BY	
SHEET NO.	19406
SHEETS	4
REV.	4

19406D.E62 01-18-94 DWL

DWG TYPE	4	DWG SUBJECT	15	DRAWING TITLE	AUXILIARY SALT WATER PUMPS	UNIT NO.	#1	PROJECT LOCATION	DIABLO	INSTALLATION TYPE	L	DIVISION NAME	B	MISC	DD CODE	MAN HOURS	CADD	DRAWING SOURCE	ISCAN			
	14		15		16		21		16-44		45-50		52		53	55-56		57-59		60		70