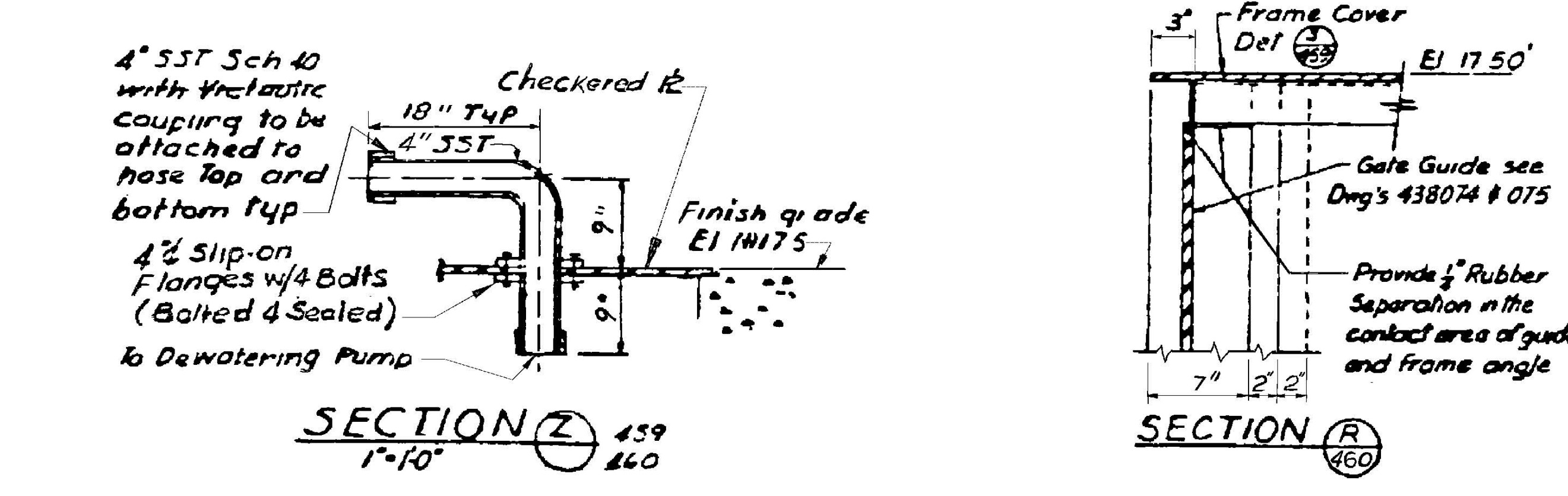
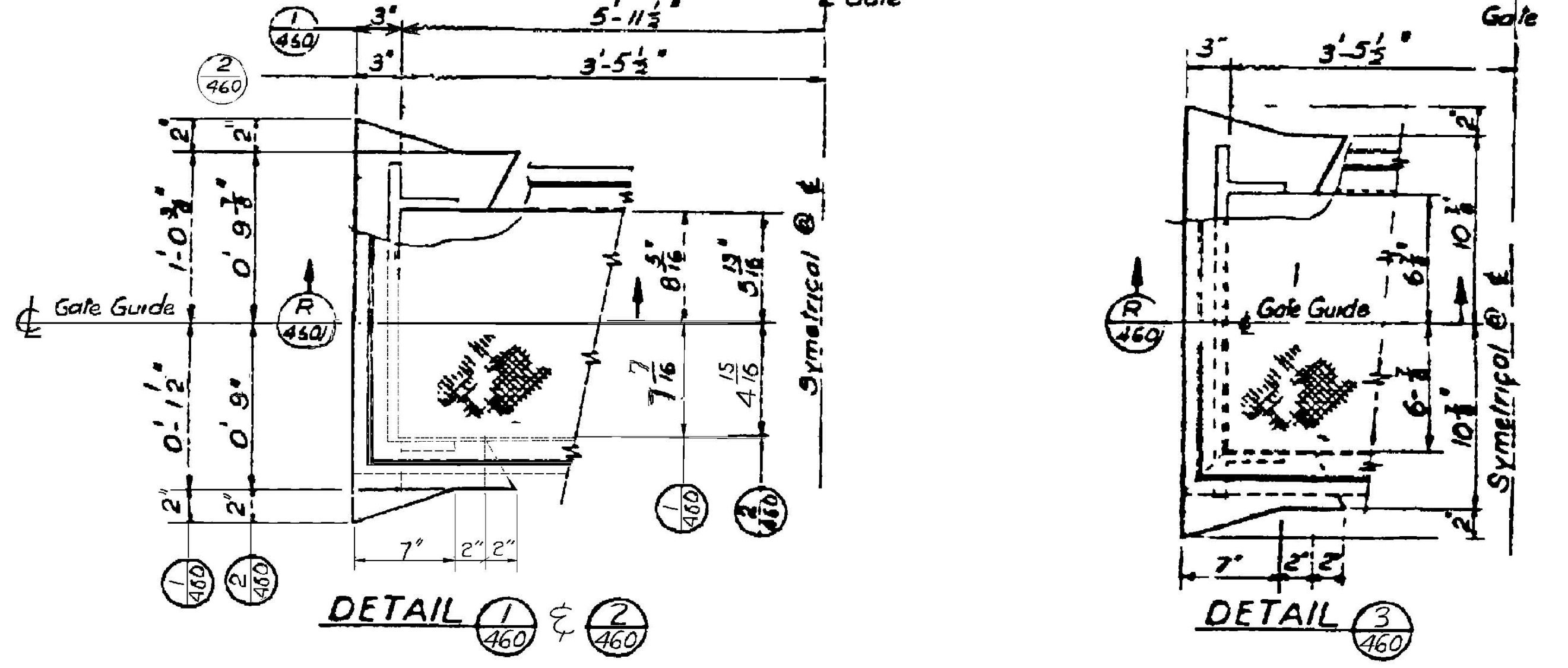
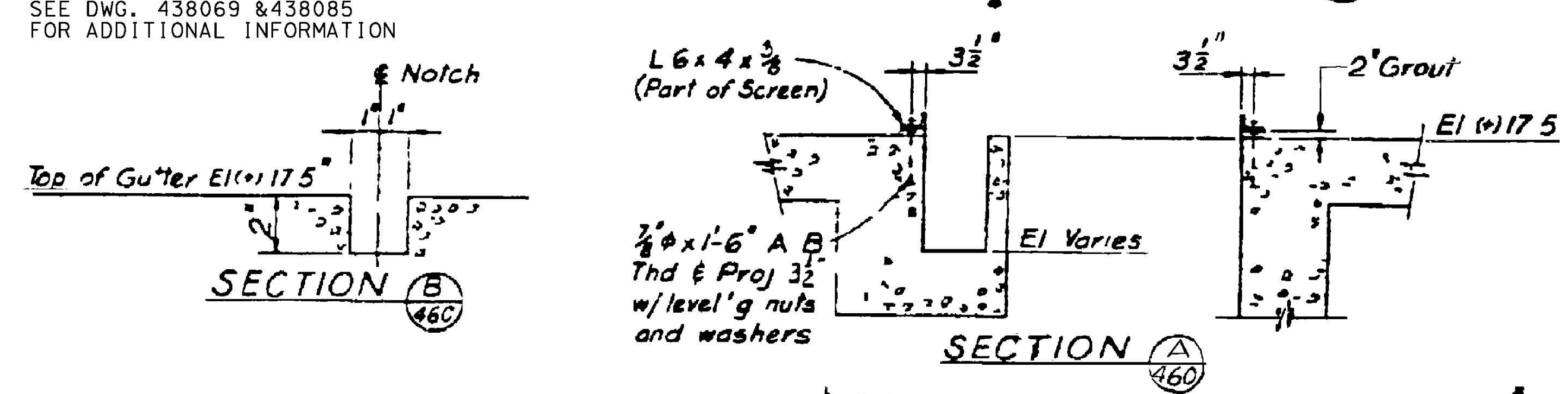
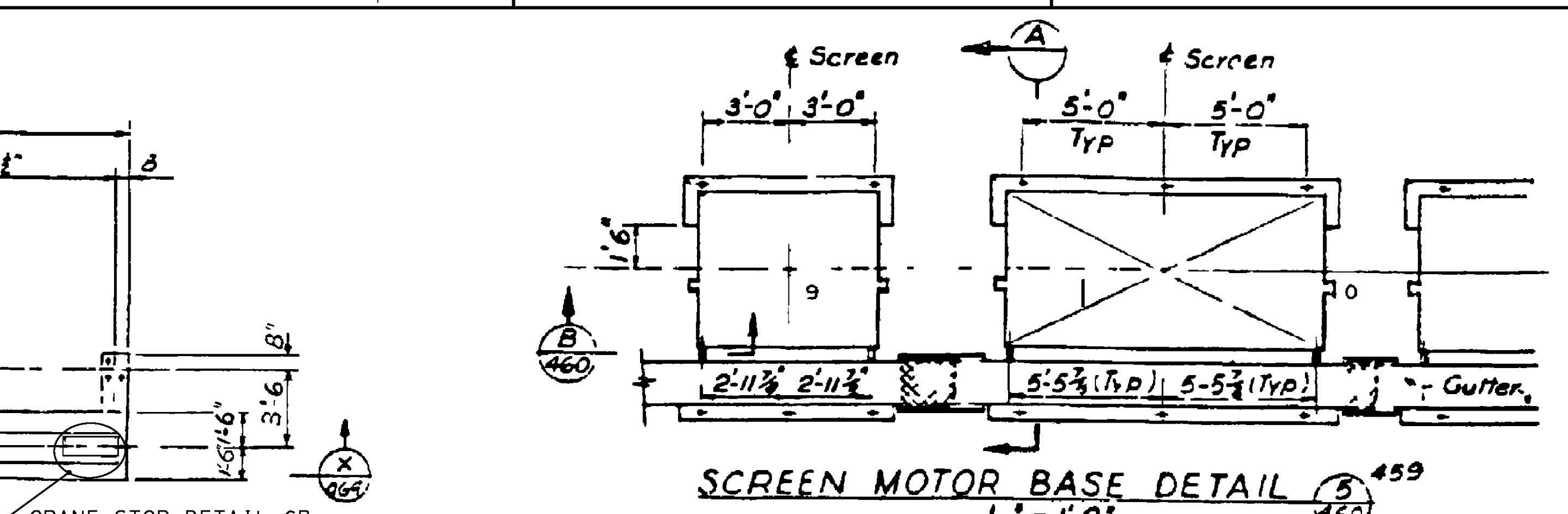


AREA No 1 AREA No 2  
See Dwg 59459

PLAN - TOP DECK AREA 2



- NOTES**
- 100 denotes Cathodic Protection Junction Box (See Electrical Dwg 500816 & 500817)
- REFERENCES**
- Requirements for Gates - 438073
  - Miscellaneous Metal Details and Notes - 438085
  - Drainage Plan - 438087
  - Cathodic Protection - 438075
  - Plan top Deck Area 2, Reinforcing - 59466
  - Conduit and Lighting Layout - 500816
  - Miscellaneous Concrete Sections and details - 438082
  - Bar Rack Details - 438077
  - Retaining Walls - 438069-070
  - For Additional Reference Dwg's, see Drawing list - 438050
  - For embedded steel see Dwg - 501034
  - Standard Mech'l Drawing - 053093
  - Concrete Lift - 683864 - 57A Thru 58B, 65A, 255 Thru 559, 315 Thru 317E, 317F, 323 Thru 326A, 399A
  - Rebar - 66330-59 Thru 62, 6, 6669, 70 75 Thru 79, 1040, 1191, Thru 1219, 1252 Thru 1266, 1312 Thru 1377, 1464, 1465, 1473 Thru 1515
  - Embedded Metal - 683864-57 Thru 58B, 65A, 255 Thru 259, 315 Thru 317F, 323 Thru 326A, 678606, 35 Thru 37 B Thru 3, 9293, 98
  - INTAKE STRUCTURE MOD. - 061338
  - PE-0-T-2-06 & ALIKE RIGGING PADEYES I.D. NO. SEE DWG. 4004960
  - FOR TSFB EMBEDDED ANODES SEE DWG 061338-76 THRU 97
  - HANDRAILS AT BAR RACK OPENINGS - 6023229-99
  - SEAWALL EMBEDDED ANODES - 393127

- REFERENCE DRAWINGS CONT**
- Ventilation shaft modification - structural steel and reinforce concrete, unit 1 - 468490 & 468491
  - Ventilation shaft modification - structural steel and reinforce concrete unit 2 - 468494 & 468495
  - KELP CRANE & Grating modification - DC6003727 SHTS 6 & 7
  - UPGRADE HATCHES - 061339 SHTS 21 Thru 27

DATE 10-21-2019	REVISION DESCRIPTION Revised Per DFT-74964	DWG SCALE BILL OF MAT'L SUPPDS SHEET PAGE REV
D.D. AJFJ	CIVIL CONCRETE OUTLINE PLAN AT TOP DECK AREA INTAKE STRUCTURE	DWG SCALE BILL OF MAT'L SUPPDS SHEET PAGE REV
R.E. FXC2	DIVISION OF POWER PLANT PACIFIC GAS AND ELECTRIC COMPANY SAN FRANCISCO, CALIFORNIA	59460
I.V. N/A		1
P.E. N/A		0

RASTER: 59460-1-0.dgn  
 DGN: 59460-1-0.dgn  
 CAD User: AJFJ Date: 10-21-2019