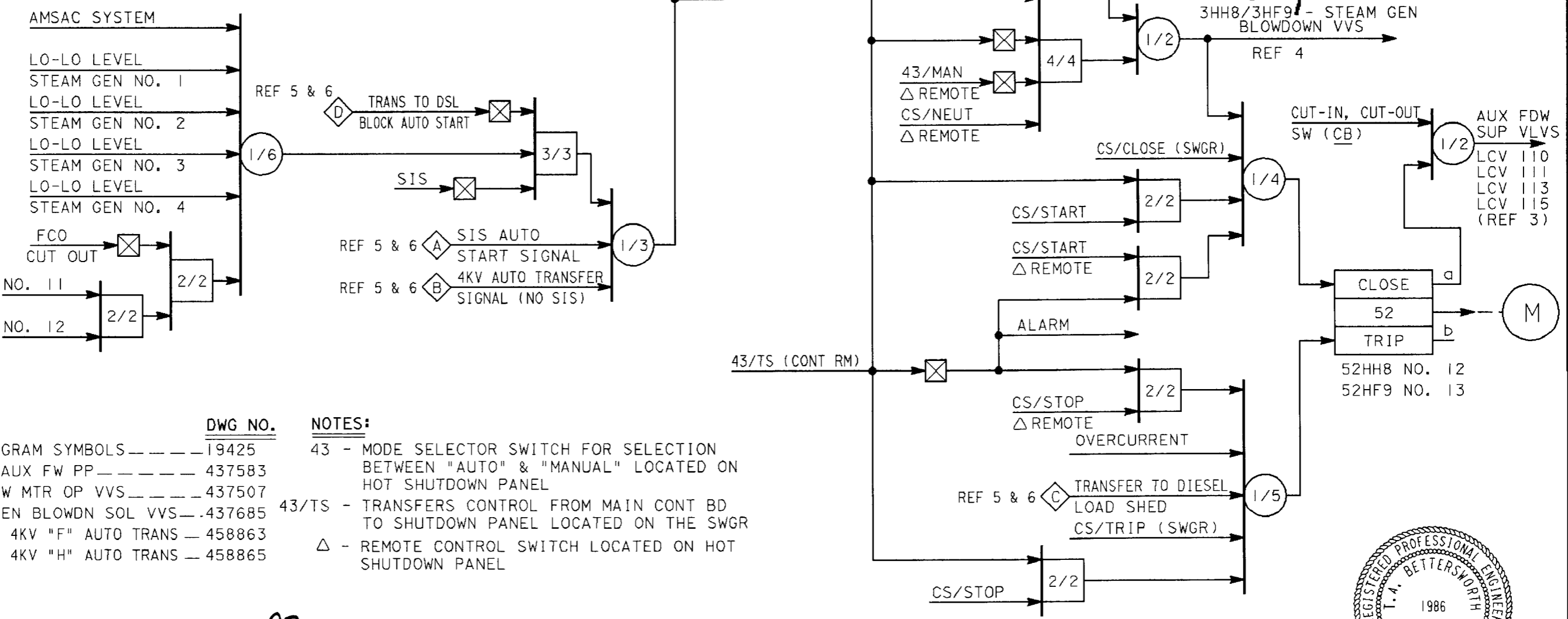


60461

E
D
C
B
A



REFERENCES:

- 1. LOGIC DIAGRAM SYMBOLS _____ 19425
- 2. SCH DIAG AUX FW PP _____ 437583
- 3. S/D AUX FW MTR OP VVS _____ 437507
- 4. S/D STM GEN BLOWDN SOL VVS _____ 437685
- 5. LOGIC DIAG 4KV "F" AUTO TRANS _____ 458863
- 6. LOGIC DIAG 4KV "H" AUTO TRANS _____ 458865

DWG NO.

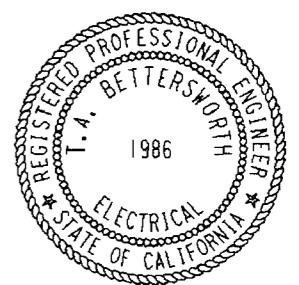
NOTES:

- 43 - MODE SELECTOR SWITCH FOR SELECTION BETWEEN "AUTO" & "MANUAL" LOCATED ON HOT SHUTDOWN PANEL
- 43/TS - TRANSFERS CONTROL FROM MAIN CONT BD TO SHUTDOWN PANEL LOCATED ON THE SWGR
- Δ - REMOTE CONTROL SWITCH LOCATED ON HOT SHUTDOWN PANEL

| | | | | |
|-----|---------------------|-----------|------------|----------|
| 9 | M. Basu | Signature | C 12314 | 12/31/94 |
| REV | REGISTERED ENGINEER | SIGNATURE | CA REG NO. | EXP DATE |

KEY DWG--SECT 3

NUCLEAR SAFETY RELATED



COAST VALLEYS DIVISION

UNIT I

LOGIC DIAGRAM
AUXILIARY FEEDWATER PUMPS

DIABLO CANYON

DEPARTMENT OF ENGINEERING
PACIFIC GAS AND ELECTRIC COMPANY
SAN FRANCISCO, CALIFORNIA

MICROFILM 9

BILL OF MATL

DWG LIST

SUPSDS

SUPSD BY

SHEET NO. SHEETS

19409 9

| NO. | DATE | DESCRIPTION | GM | DWN. | CHKD. | SUPV. | APVD. |
|-----|---------|--|-----|------|-------|-------|-------|
| 9 | 5-5-94 | REV 3HH8 TO 3HH8/3HF9 (FCT-17116) | --- | WAA | WY | JAN | MB |
| 8 | 1-20-94 | REDRAWN; DEL STAR NOTE; ADD REF'S 5 & 6; REV LOGIC (FCT-16395) | --- | WAA | WG | KS | MB |
| 7 | 12-1-92 | REV AS PER LOGIC DIAGRAM (FCT-14621) (DCI-EE-47591, -47594) | --- | MS | VAL | DSW | MB |

| | |
|-------------|------------------|
| APPROVED BY | GM 167027 |
| LRW | SUPV. H. HERTING |
| DN | DSGN. E. ZEITER |
| JWC | DWN. R. D. SMITH |
| TAB | CHKD. EZ |
| | O.K. GVZ HH |
| | DATE 11-25-69 |
| | SCALES NONE |

19409D.E62 04-27-94 WAA

| | | | | | | | | | | | |
|----------|-------------|---------------------------|----------|------------------|-------------------|---------------|------|---------|-----------|------|----------------|
| DWG TYPE | DWG SUBJECT | DRAWING TITLE | UNIT NO. | PROJECT LOCATION | INSTALLATION TYPE | DIVISION NAME | MISC | DD CODE | MAN HOURS | CADD | DRAWING SOURCE |
| 4 | 15 | AUXILIARY FEEDWATER PUMPS | #1 | DIABLO | L | B | | GD | | C | A |

SCAN 9 IC 9