

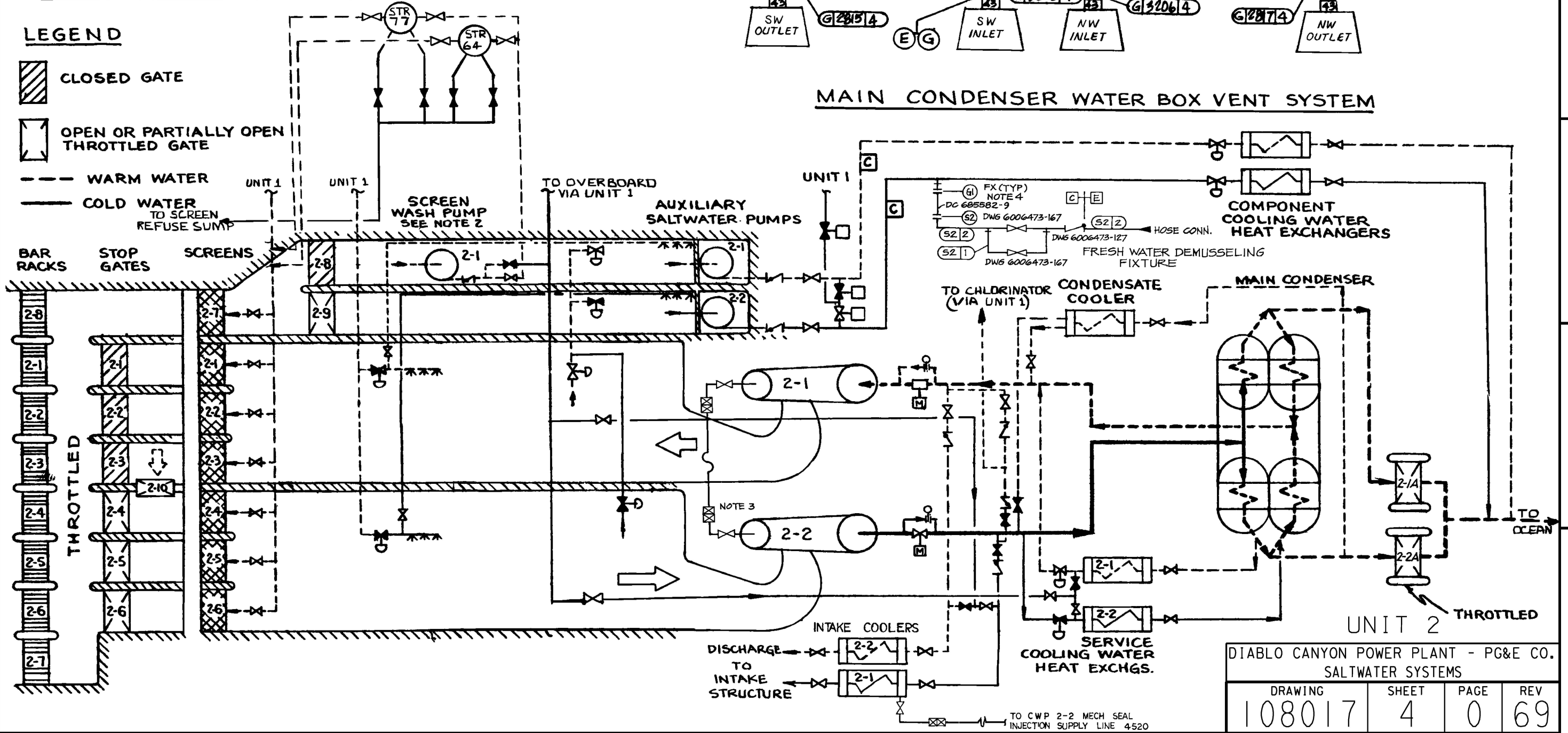
NOTES:

1. ALL PIPING ON THIS SHEET IS PG&E CLASS E UNLESS OTHERWISE NOTED.
2. DEMUSSELING PROCEDURE STARTS AFTER THE SCREENS OF BOTH UNITS HAVE BEEN WASHED. (42-C)
3. SEAL INJECTION 3/4" FLEXHOSE CROSS TIE. (44-B)
4. TEMPORARY CONNECTION INSTALLED AT FX FOR FRESH WATER DEMUSSELING PROCESS, WHICH IS USED AS ALTERNATIVE TO HT DEMUSSELING. (46-C)
5. COMPLIES WITH "S" SPECIFICATION EXCEPT FLANGES ARE 2" 150# FFSW A182 GR 304. (45,46,47,48-E)
6. CHECK VALVES ARE NUPRO SS-CHS12-10. (45,48-E/D)
7. BALL VALVES ARE WHITEY SS-63TS12. (45,48-E/D)

DEMUSSELING FLOW SCHEME

LEGEND

- CLOSED GATE
- OPEN OR PARTIALLY OPEN THROTTLED GATE
- WARM WATER
- COLD WATER



RASTER=108017-4-0.dgn
 DGN=108017-4-0.dgn
 CAD User: ZNS4 Date: 12-05-2019

DIABLO CANYON POWER PLANT - PG&E CO.			
SALTWATER SYSTEMS			
DRAWING	SHEET	PAGE	REV
108017	4	0	69

12-05-2019	ZNS4	FXC2	N/A	NOT REQUIRED PER CF3.ID5	-	-	-	Revised Per DDT-4*1774
DATE	DWN	RE	IV	PROFESSIONAL ENGINEER	PE DISC.	PE#	PE EXP.	DDT-4*1544

INPGIC
 1 Size