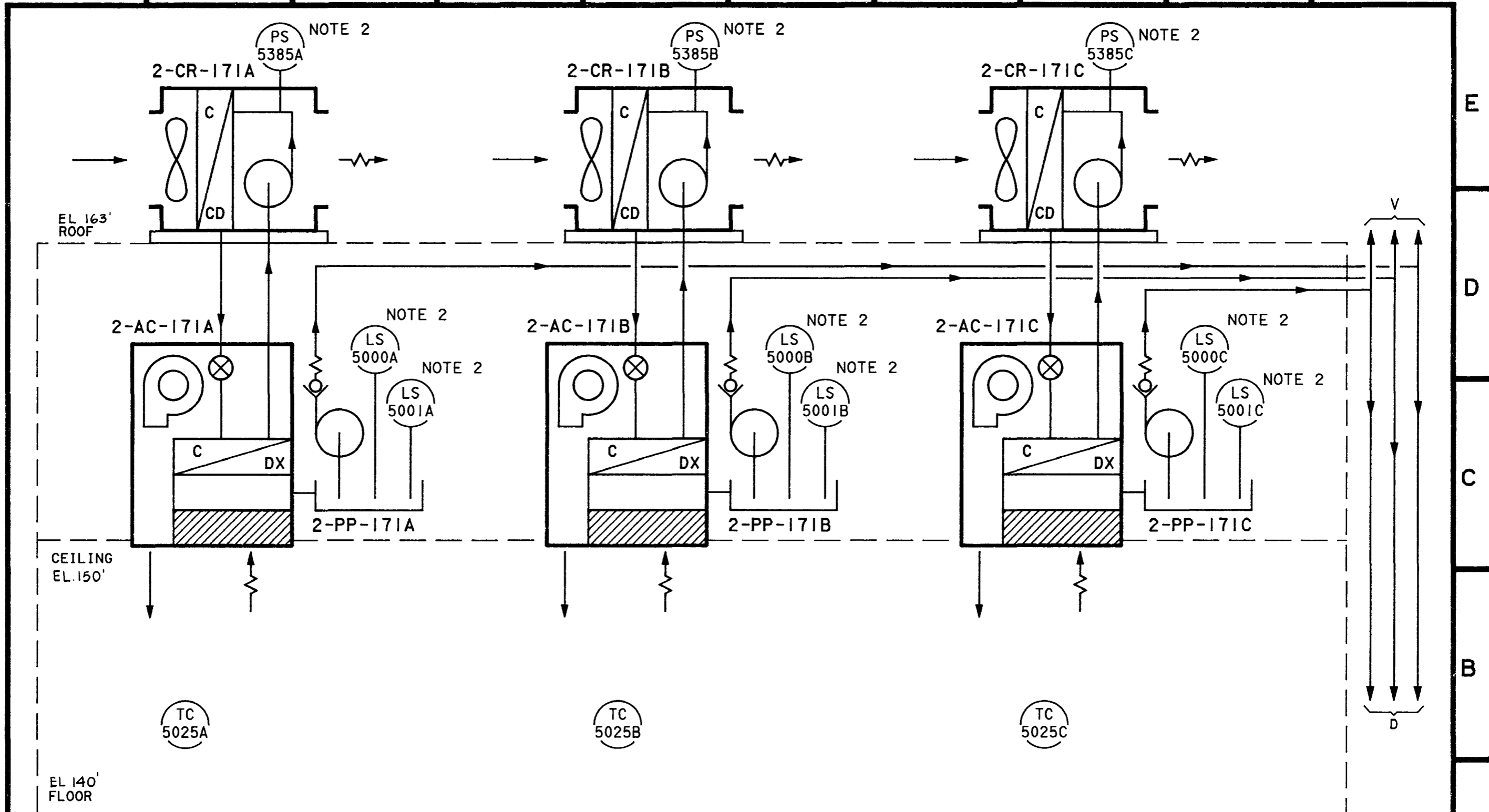


170B | 171B | 172B | 173B | 174B | 175B | 176B | 177B | 178B | 179B



SOUTH OR UNIT-2 SIDE

NOTE

1. COMPUTER ROOM IS LOCATED IN CONTROL ROOM ON SHEET 16 AT 168-A/B
2. INSTRUMENT INTEGRAL TO EQUIPMENT

2023S17B.M01 5-30-90 03:10 ROA

HP1SZSH2.FMT

CONTROL ROOM COMPUTER ROOM
(ELEVATION)

COMMON (UNIT 1&2)



PG & E CO.	102023	REV 50
SHEET 17B OF SHEETS		
	MICROFILM	

SCHEM 50 IC