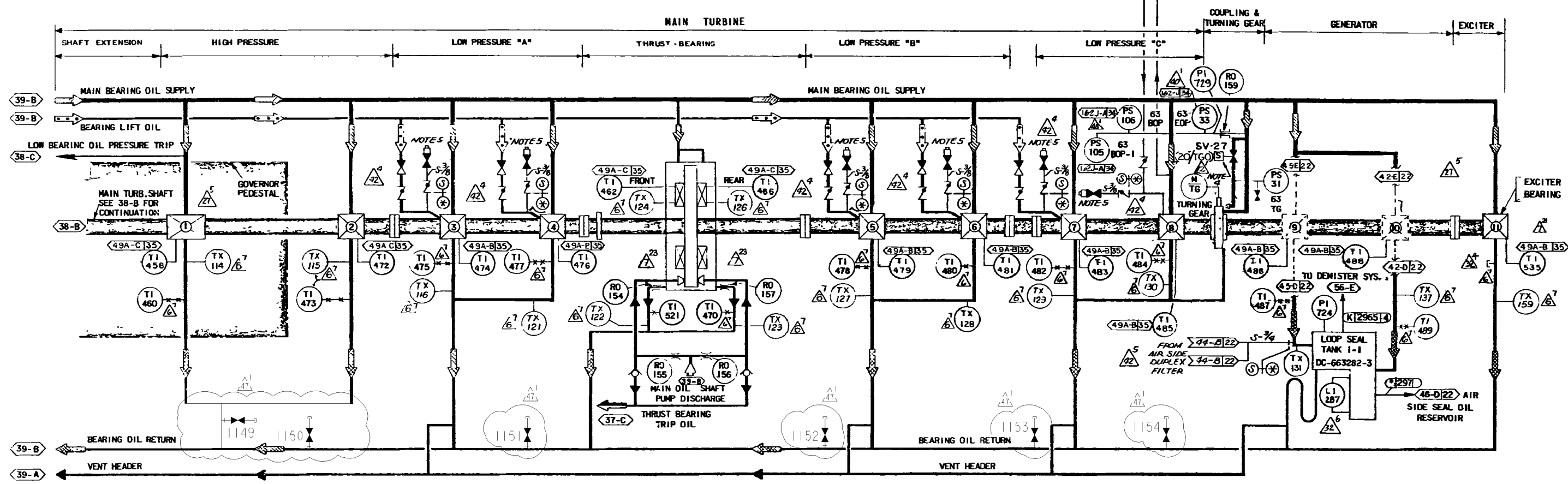
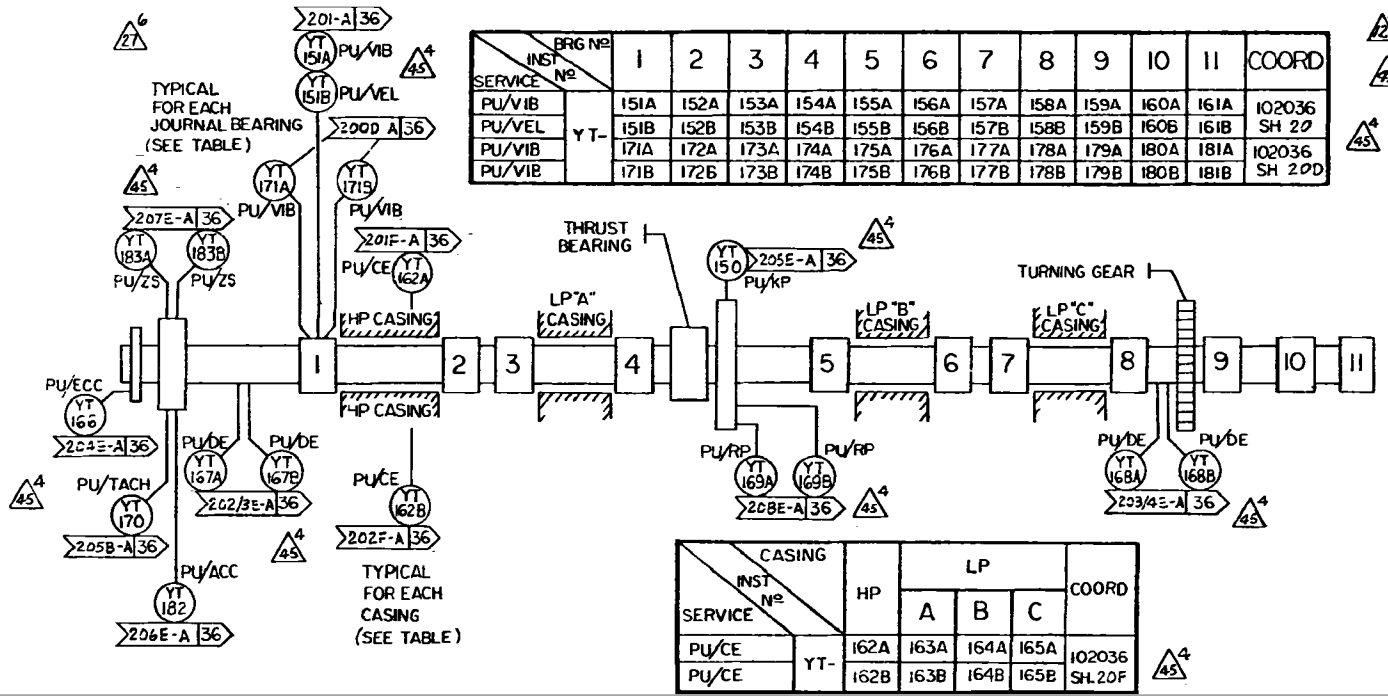
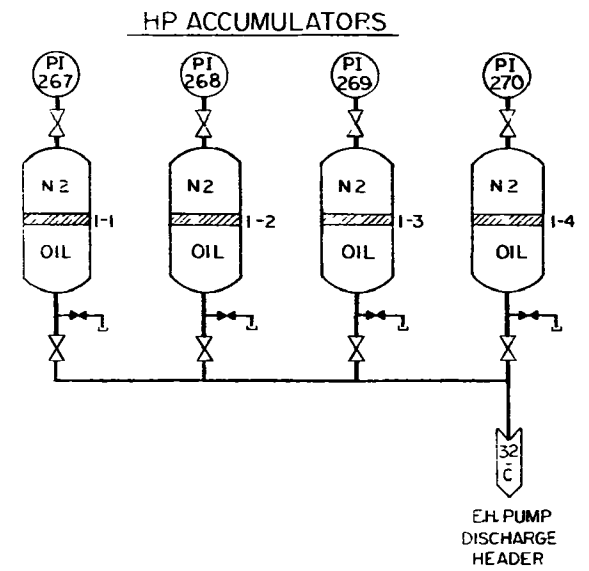


### MAIN TURBINE-GENERATOR BEARING LUBRICATION SYSTEM



### TURBINE SUPERVISORY INSTRUMENTATION



- NOTES:
- FOR BEARING SEQUENCE SEE DWG. NO. 663280-17 AND WESTINGHOUSE INSTRUCTION BOOK DC-663280-37, TAB 2.
  - FOR PIPING OIL CLEARANCES & EQUIPMENT LOCATION SEE DC-663282-4
  - ALL PIPING & INSTRUMENTS BY (M), UNLESS OTHERWISE NOTED.
  - SOLENOID VALVE WITH MANUAL OPERATOR. C.W. ROTATION FOR MANUAL OPENING C.W.K FOR ELECTRIC OPERATION (E.T.D)
  - END CONNECTION IS A BUTT HEAD GREASE FITTING FOR MANUALLY PUMPED LIFT OIL, DC-663282-83 (92M7-D)

UNIT I

DIABLO CANYON POWER PLANT - PG&E CO.			
LUBE OIL DISTRIBUTION AND PURIFICATION SYSTEMS			
DRAWING	SHEET	PAGE	REV
102020	4	0	47

RASTER=102020.s4.dgn  
 DGN=102020.s4.dgn  
 CAD User: ADMI Date:03-20-2009

INPGIC	03-20-2009	ADMI	Fxc2	KERSI J. DALAL	MECHANICAL	M 16690	3/31/2010	REVISED PER DDT-4*162
Size	DATE	DWN	RE	PROFESSIONAL ENGINEER	PE DISC.	PE#	PE EXP.	