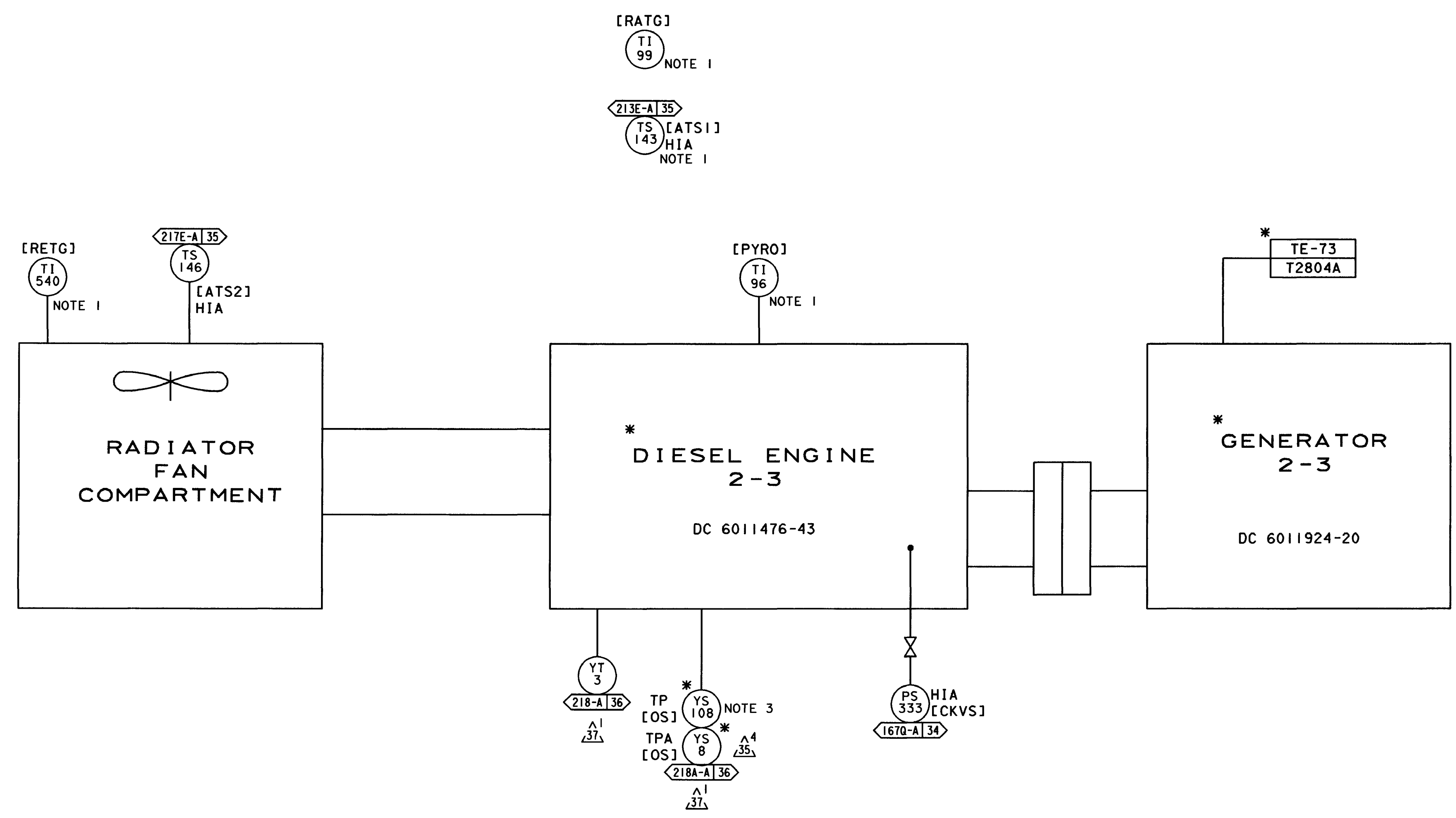


- NOTES:
1. MOUNTED ON ENGINE CONTROL PANEL
  2. \* DENOTES MANUFACTURER SUPPLIED INSTRUMENTS AND EQUIPMENT. IT IS ACCEPTABLE TO REPLACE MANUFACTURER SUPPLIED INSTRUMENT TUBING WITH PG&E SUPPLIED S-SPEC STAINLESS STEEL TUBING
  3. YS-108 IS MECHANICAL OVERSPEED TRIP DEVICE. (95B-D)



MISC. INSTRUMENTS FOR ENGINE GENERATOR 2-3

UNIT 2

P.G.&E. CO.	DRAWING NUMBER	REV
	108021	39
SHEET 9B OF SHEETS	MICROFILM	