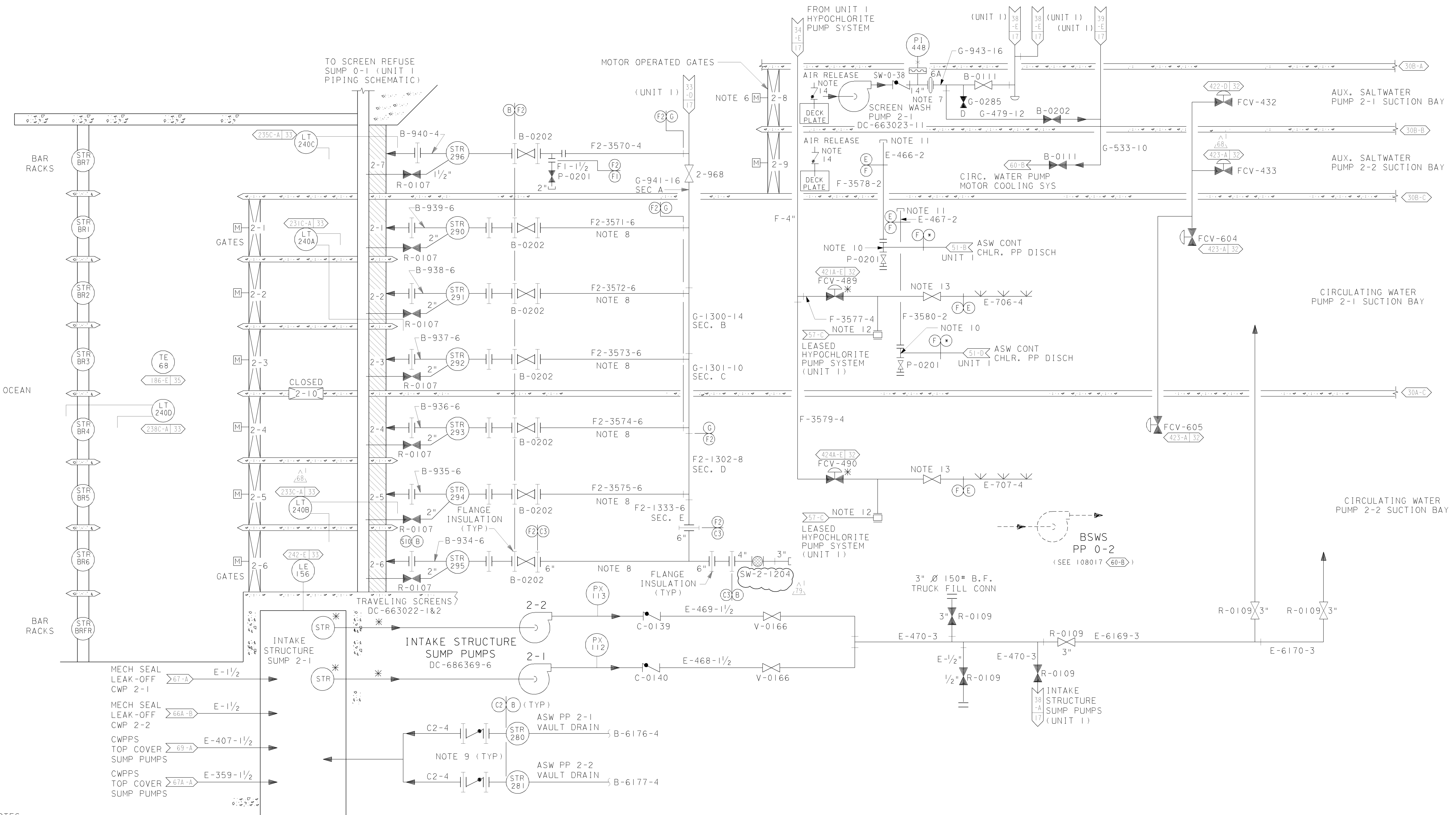


A
B
C
D
E



- NOTES**
- ALL PIPES ON THIS SHEET ARE P.G.&E. CLASS 'E', UNLESS OTHERWISE NOTED.
 - VALVES WITH ITEM NOS. FALL UNDER SPEC. 8729, UNLESS REFERRED TO NOTE 3.
 - VALVES REFERRED TO THIS NOTE FALL UNDER SPEC. 0722.
 - VALVES IN THE INTAKE STRUCTURE WITH P.G.&E. MARK NOS. ARE FURNISHED BY SPEC. 8749, UNLESS OTHERWISE NOTED.
 - NOT USED
 - ASW GATE MOTOR IS REMOTELY OPERATED FROM INTAKE. (35-A)
 - FOR RUBBER EXPANSION JOINTS SEE P.G.&E. RECORD NO. DC-663323-2 (36-A)
 - PORTIONS OF THIS PIPING MAY INCLUDE PIPE SPEC. "C3", SEE PIPING ISOMETRIC FOR DETAILS (34-B THRU C)
 - SWING CHECK VALVE, EAGLE SERIES 10, AL-BR OR STAINLESS STEEL (33-E)
 - PVDF SPACER WITH PORTING TO ALLOW CHLORINATION BY EITHER INTERMITTANT OR CONTINUOUS SUPPLY VIA 2" PIPE AND 1/2" TUBING RESPECTIVELY; 1/2" HASTELLOY TUBING IS INSIDE 2" PIPE BETWEEN SPACER AND (-) 4 EL. (36-B)
 - 1/2" HASTELLOY TUBING RUNS ADJACENT TO 2" PVC IN BAY TEN 1/2" DIA HOLES IN 2" PIPE SEE NOTE 10 (36-A/B)
 - 2" THICK PVDF SPACER/INJECTOR (35-B/C)
 - 4"-150# FLANGED DIAPHRAGM VALVE DOW MODEL #373 (36-B/C)
 - 2" GOLDEN ANDERSON, AIR RELEASE/VACUUM VALVE (35-A)

UNIT 2

DIABLO CANYON POWER PLANT - PG&E CO.
SALTWATER SYSTEMS

DRAWING	SHEET	PAGE	REV
108017	3	0	79

03-20-2013	MNRU	FxC2	KJD3	NOT REQUIRED	N/A	N/A	N/A	REVISED PER DFT-7*2012
DATE	DWN	RE	IV	PROFESSIONAL ENGINEER	PE DISC.	PE#	PE EXP.	

RASTER=eruo9572.dgn
 DGN=eruo9572.dgn
 CAD User: MNRU Dgt: 03-20-2013