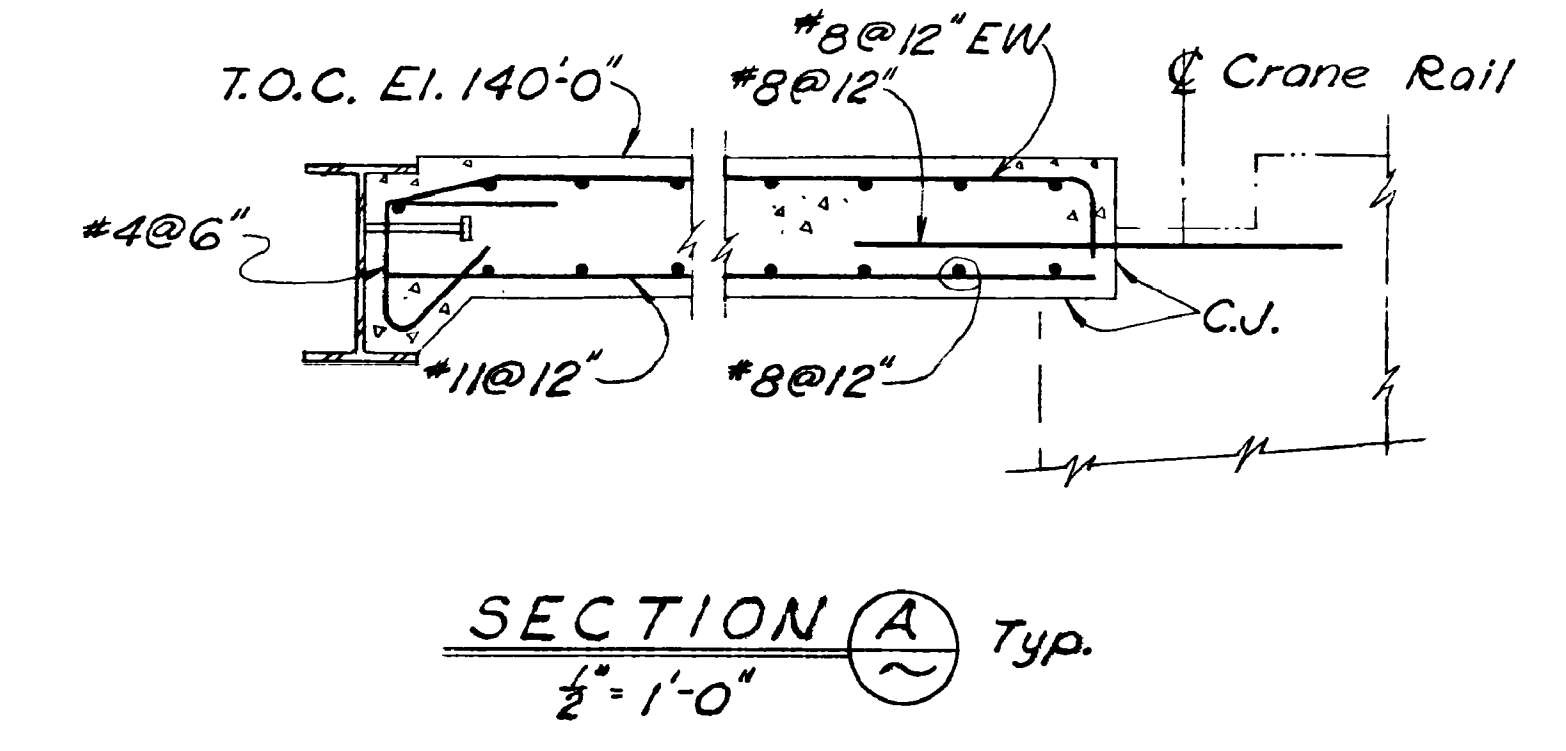
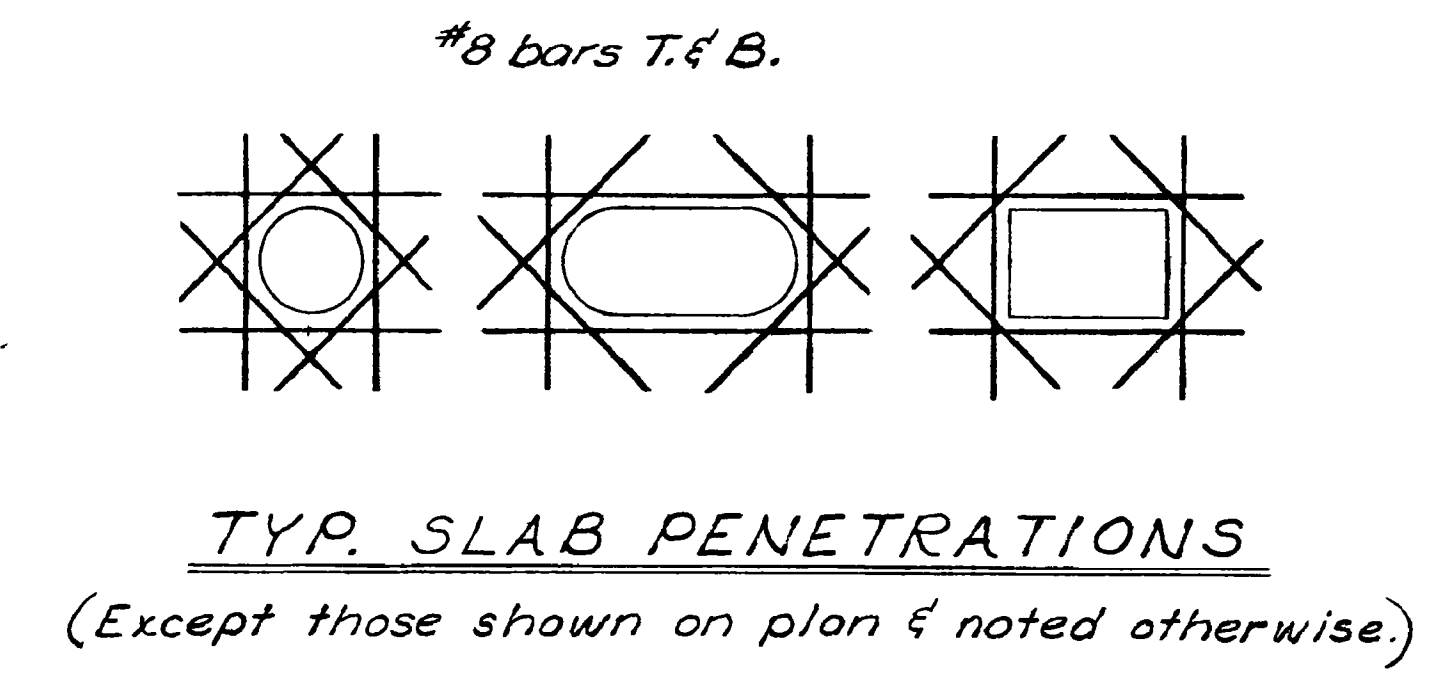
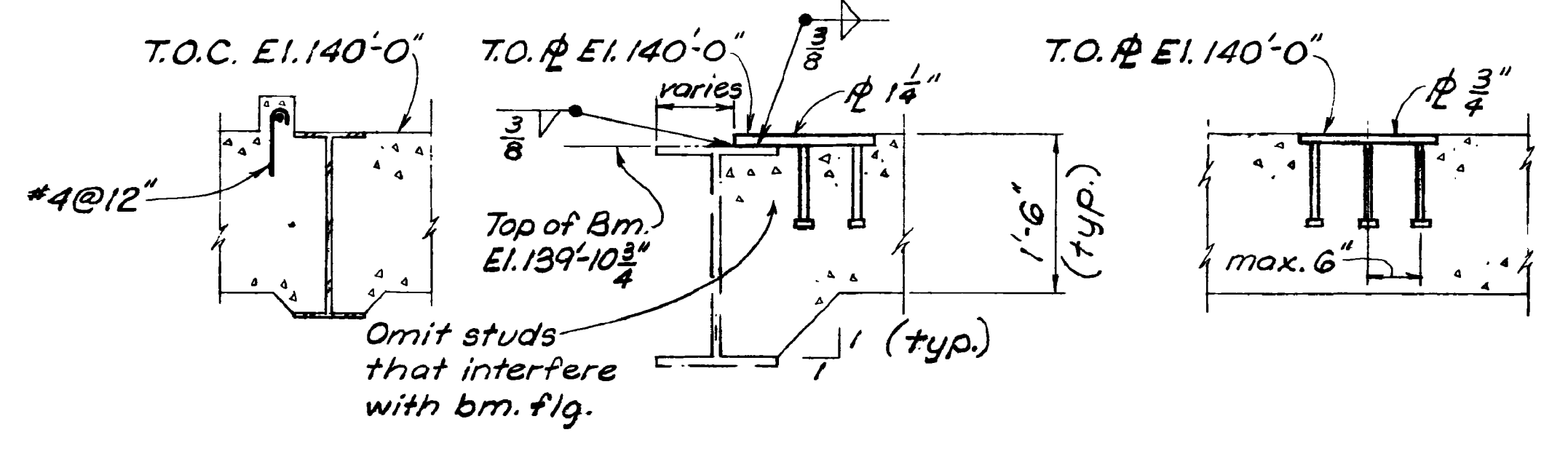


NOTE:
1. All welded studs are 3/4" x 8".
2. All #8s - 3/8" thick, except plates overlapping steel beam flanges 1/4" thick



SECTION (A) TYP.
1/2" = 1'-0"

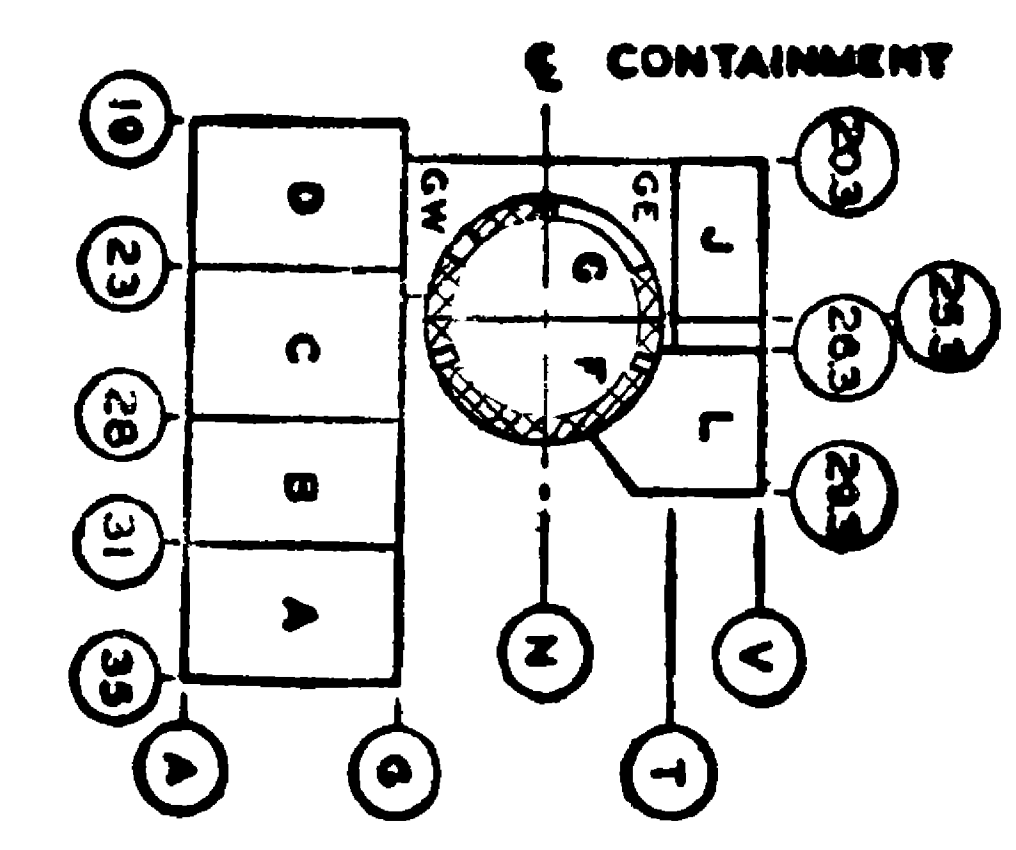


SECTION (D) TYP.
1/4" = 1'-0"

SECTION (B) TYP.
1/4" = 1'-0"

SECTION (C) TYP.
1/4" = 1'-0"

- REFERENCE DRAWINGS**
- Annulus Platform Framing El. 140'-0" 443373
 - Interior Concrete Outline 443252
 - Openings, Sleeves, & Surface Inserts at Annulus Platform - El. 140'-0" 56339-40
 - RCP Vibration Monitoring System. 061333 SHTS. 40 THRU 46
 - CFCU ANCHORAGE WELD AS-BUILT 663079 SHTS. 125 THRU 140



IT IS ACCEPTABLE TO STORE (2) EA. S.S. BOXES IN THIS LOCATION DURING MODES 1-6. NO TIE-DOWNS ARE REQUIRED. FLOOR LOADING PER DWG. 496742 SHALL NOT BE EXCEEDED FOR THE AREA.

See dwg 443252 for area within this line

Note: For location & size of openings & sleeves, see dwgs 56339 & 56340

See dwg. 061333 sheets 40 thru 46 for more information

Trim #8s if they interfere with opening embedment

Beam location varies

Steel framing

#8 bars T.&B.

TYP. SLAB PENETRATIONS

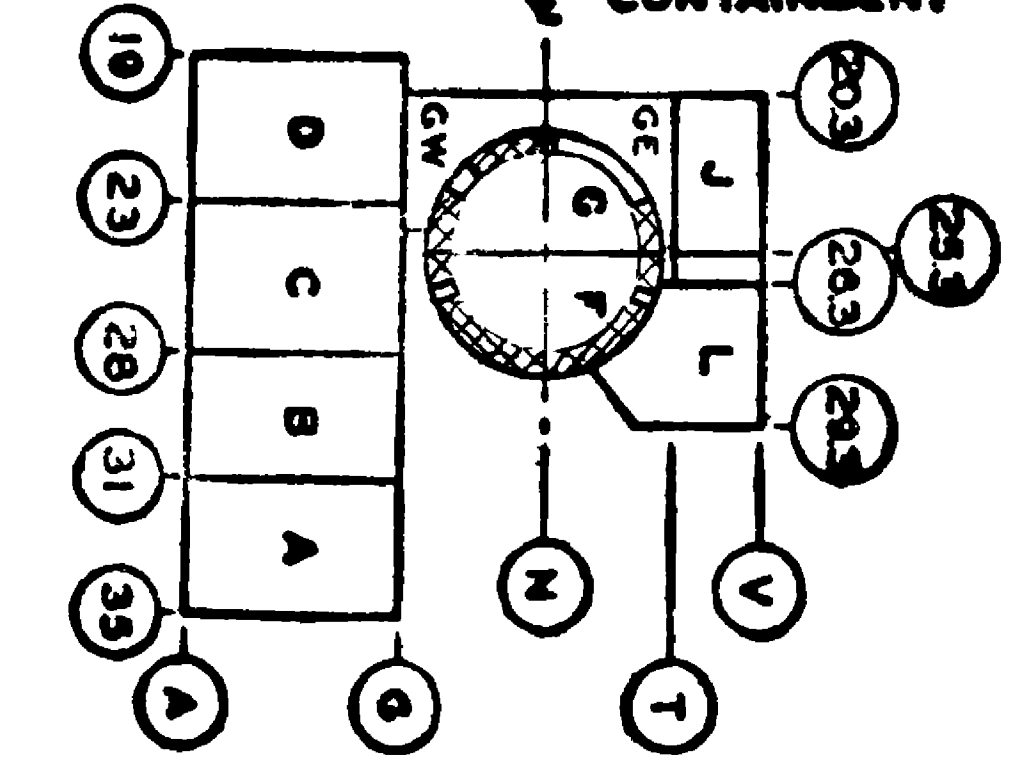
(Except those shown on plan & noted otherwise.)

NOTE:
1. All welded studs are 3/4" x 8".
2. All #8s - 3/8" thick, except plates overlapping steel beam flanges 1/4" thick

REFERENCE DRAWINGS

- Annulus Platform Framing El. 140'-0" 443373
- Interior Concrete Outline 443252
- Openings, Sleeves, & Surface Inserts at Annulus Platform - El. 140'-0" 56339-40
- RCP Vibration Monitoring System. 061333 SHTS. 40 THRU 46
- CFCU ANCHORAGE WELD AS-BUILT 663079 SHTS. 125 THRU 140

CONTAINMENT



DATE	REVISION DESCRIPTION	DWG SCALE:
10-24-2013	REVISED PER DFT-742290	BILL OF MAT'L
D.D. MNRU		SUPPDS
R.E. FAZI		SUPPDS BY
I.V. KJDI		DRAWING
P.E. N/A		SHEET
		PAGE
		REV