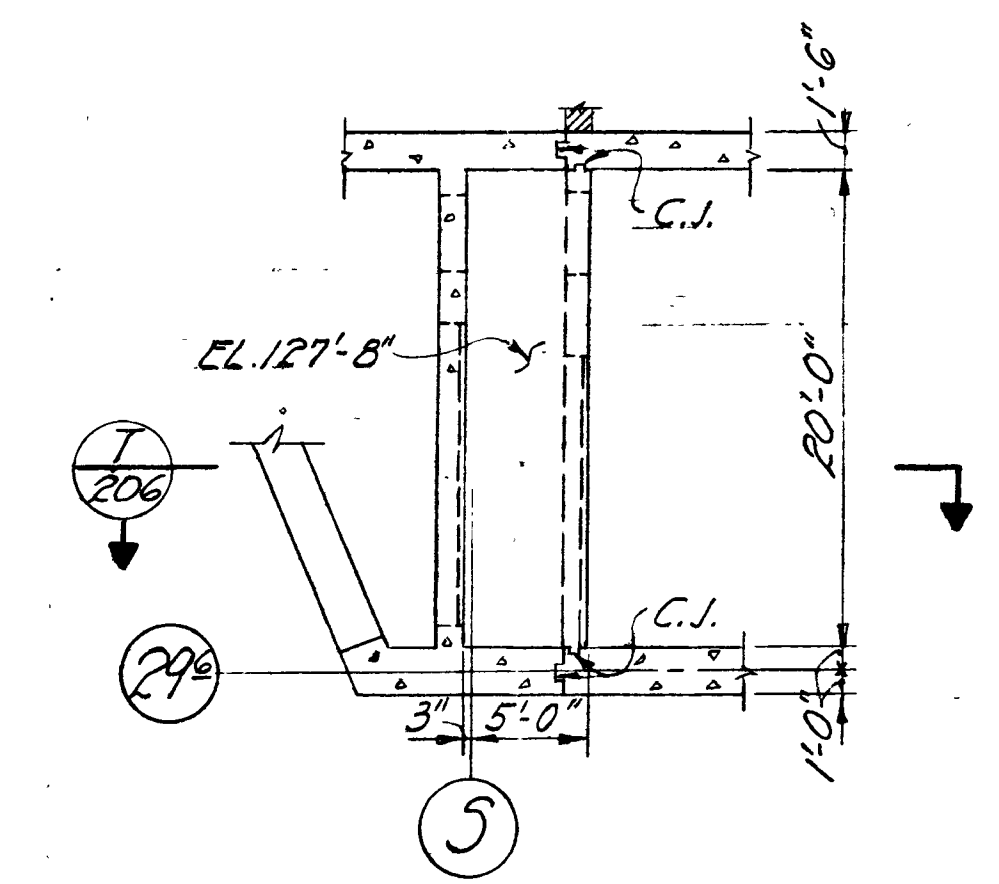
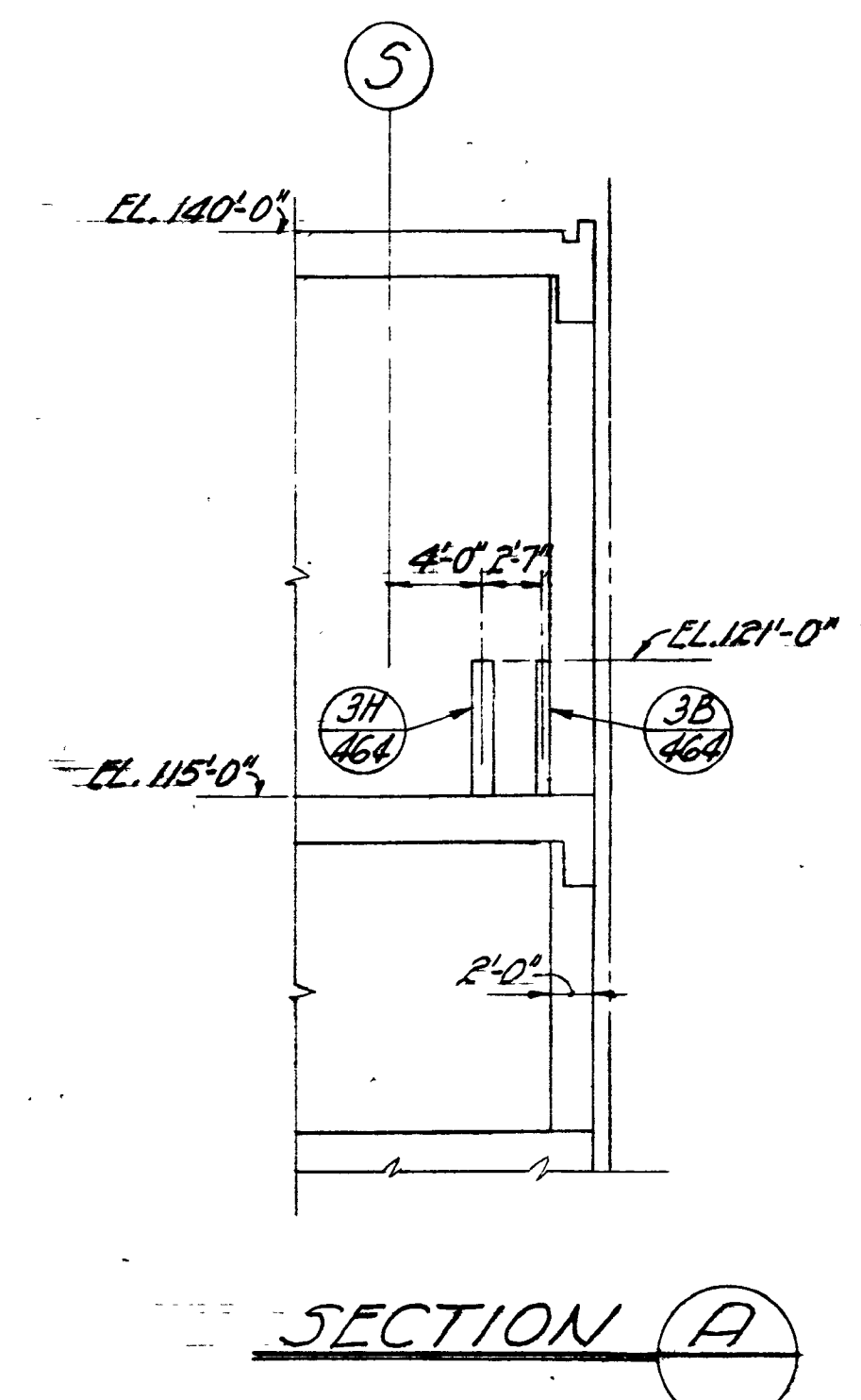


PLAN @ EL. 140'-0"

PLAN @ EL. 115'-0"



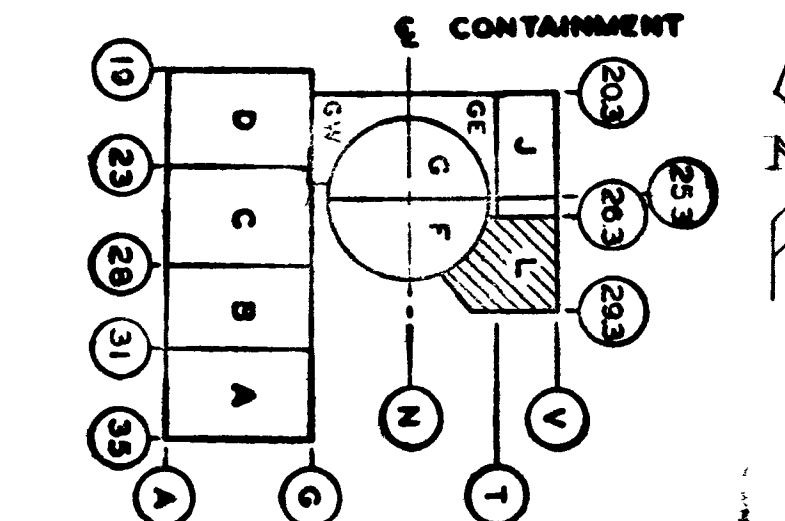
PLAN @ EL. 127'-8"



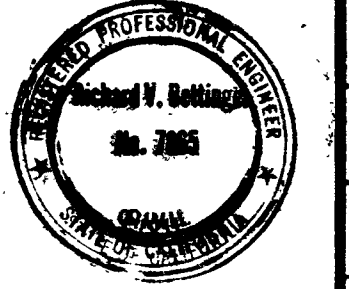
SECTION A

REFERENCE DRAWINGS

- Drawing List Notes & Legend - 438425
- Conc. Reinforcing Plan EL. 115'-0" & 140'-0" - 443216
- Openings & Steeves Dwg. Area "L" - 444254
- Openings & Steeves Dwg. Area "L" - 444558



REV 5 ON SEE
DWG. 069618
FOR APPROVER'S
STAMP.



D. C. 683860

CHANGES APPROVED BY SUPERVISING ENGINEER

CHANGES APPROVED BY SUPERVISING ENGINEER

COORDINATED APPROVAL FOR CONSTRUCTION									
GROUP	CHG. 1	CHG. 2	CHG. 3	CHG. 4	CHG. 5	CHG. 6	CHG. 7	CHG. 8	CHG. 9
DESIGN	DESIGN	DESIGN	DESIGN	DESIGN	DESIGN	DESIGN	DESIGN	DESIGN	DESIGN
ARCH.									
CIVIL									
ELEC.									
MECH.									

TABLE OF CHANGES									
NO.	DATE	DESCRIPTION	GM	BY	CH.	APPD.	NO.	DATE	DESCRIPTION
1	9/30/72	AS BUILT PER PGT 1816					1	12/27/72	AS BUILT PER PGT 1816
2	10/2/72	AS BUILT BY 6-295K, G-296A					2	11/27/72	APPROVED FOR CONST. SPEC. 883
3	10/2/72	AS BUILT BY 6-295K, G-296A					3	12/27/72	ISS. 3RD PLAN & MISC. PROC. ONLY
4	11/8/72	REV. DOOR DIM @ LINE ST 2 & 3					4		
5	12/1/72	APPROVED FOR CONST. SPEC. 883					5		
6	12/1/72	ISS. 3RD PLAN & MISC. PROC. ONLY					6		

UNIT 2 SCAN 6 ICI 5

CONCRETE OUTLINE
FLOOR PLANS EL. 115'-0" & 140'-0"
AUXILIARY BUILDING - AREA L

DIABLO CANYON
DEPARTMENT OF ENGINEERING
PACIFIC GAS AND ELECTRIC COMPANY
SAN FRANCISCO, CALIFORNIA

BILL OF MATERIAL
DRAWING LIST 050940
SUPERSEDED BY
SHEET NO. SHEETS
DRAWING NUMBER
443205 6
SCALE 1/8" = 1'-0"