

40A

41A

42A

43A

44A

45A

46A

47A

48A

49A

A

B

C

D

E

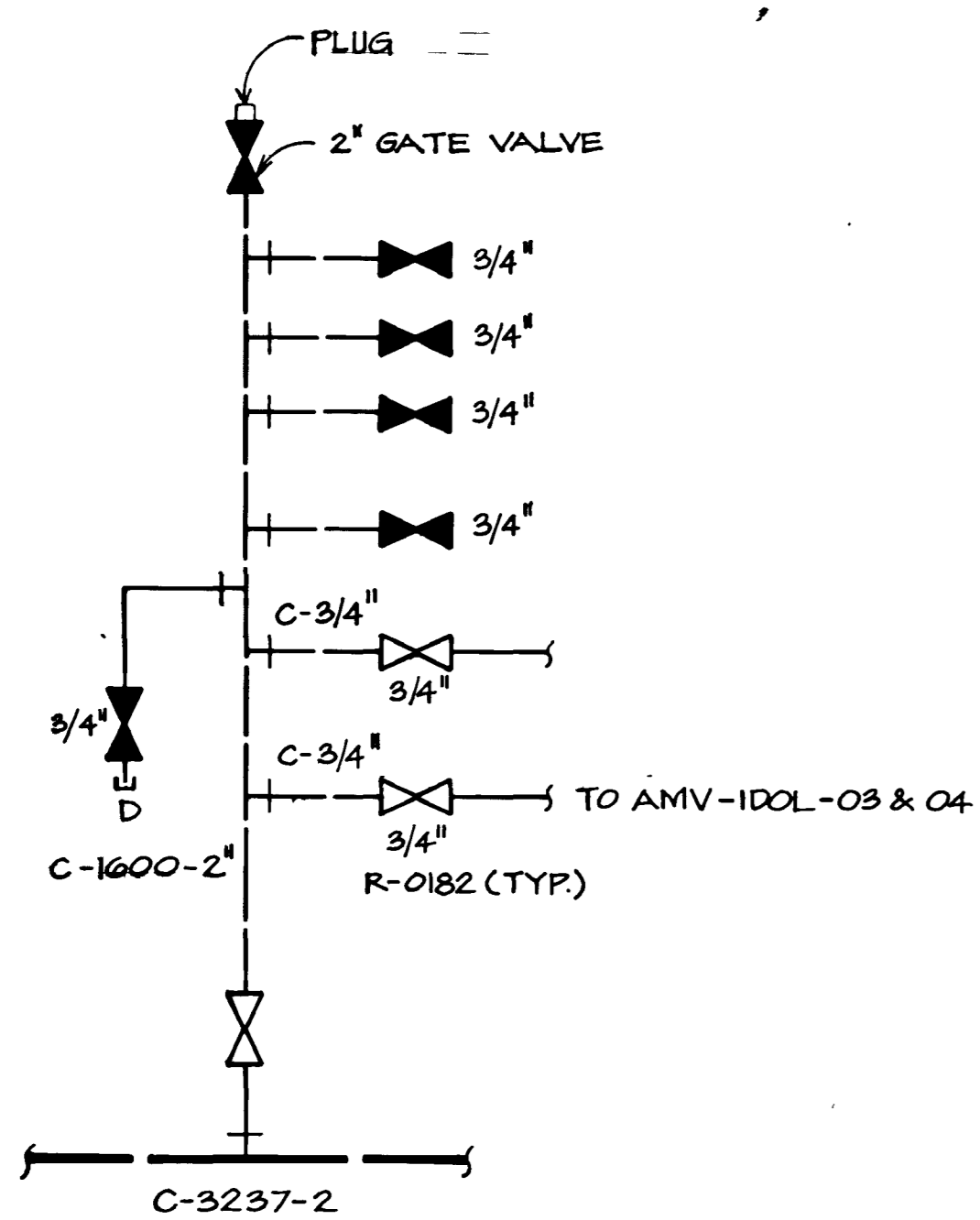
A

B

C

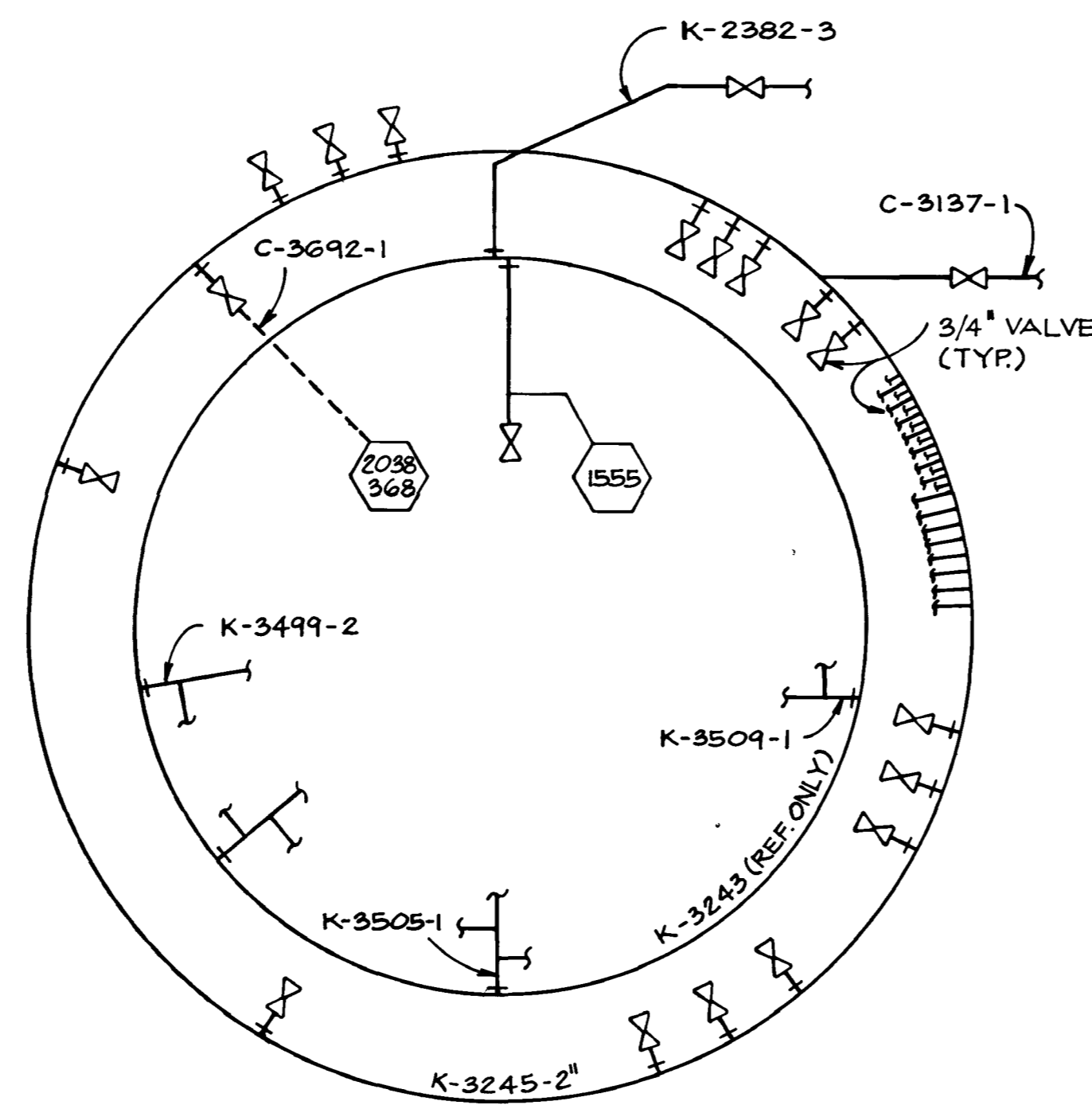
D

E



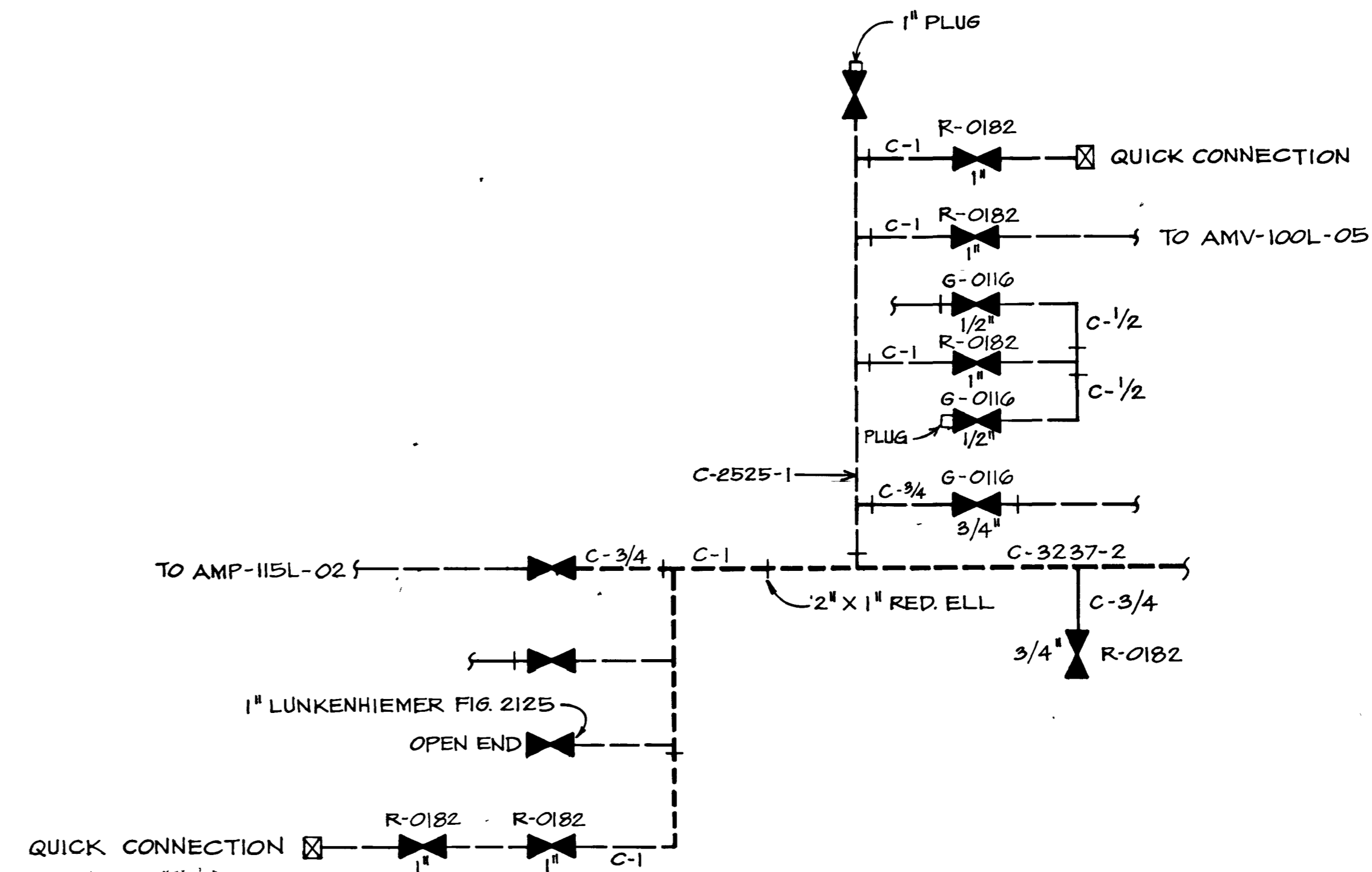
DETAIL "A"

41-E



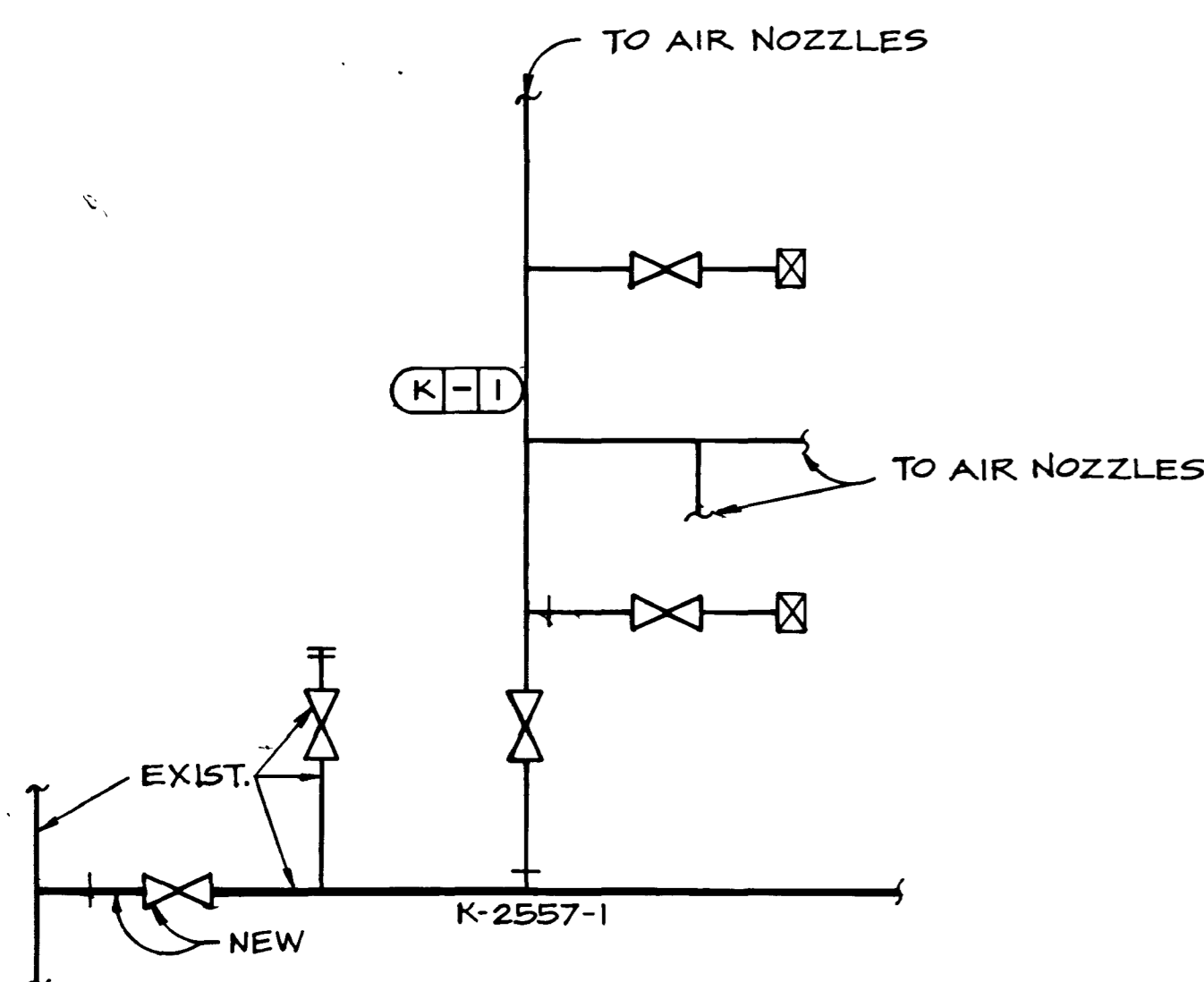
DETAIL "B"

40/41-C/D



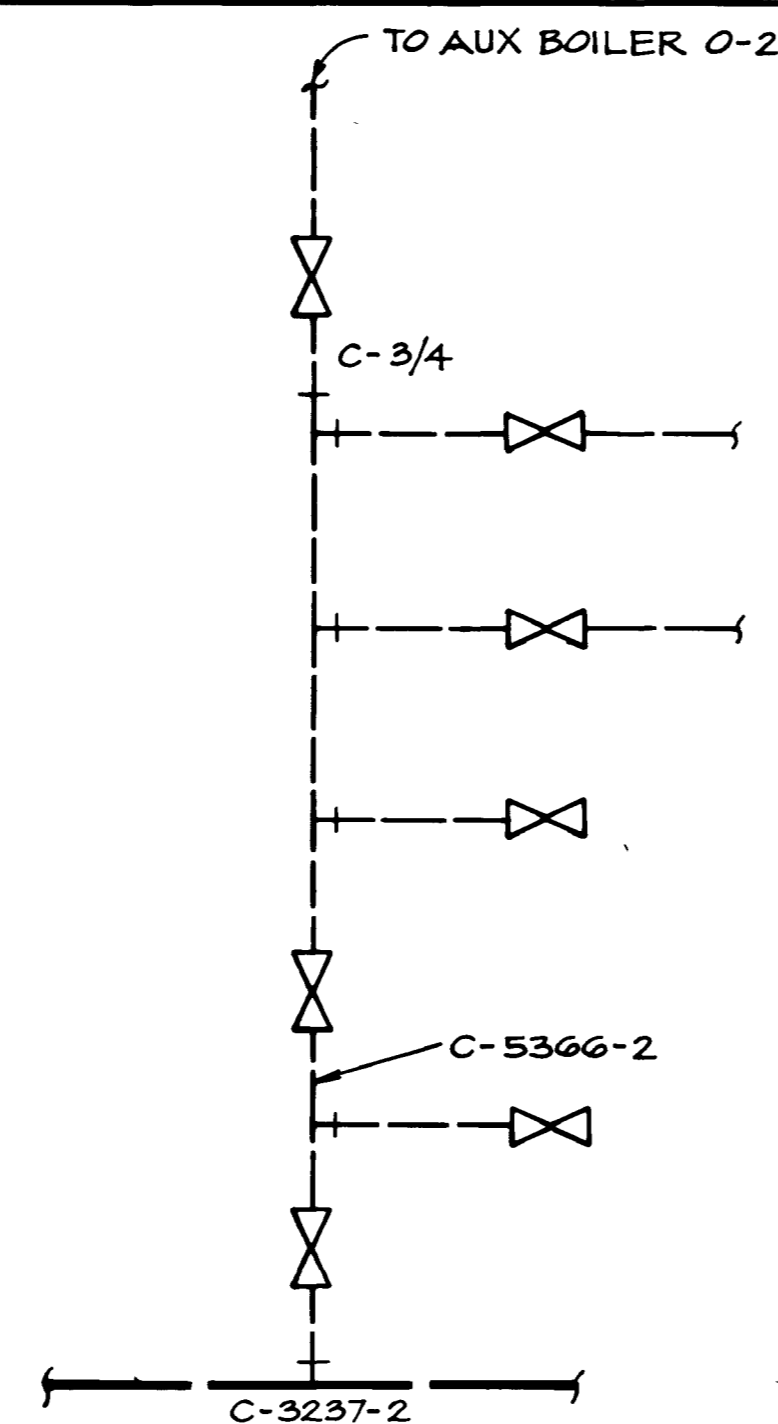
DETAIL "C"

41-E



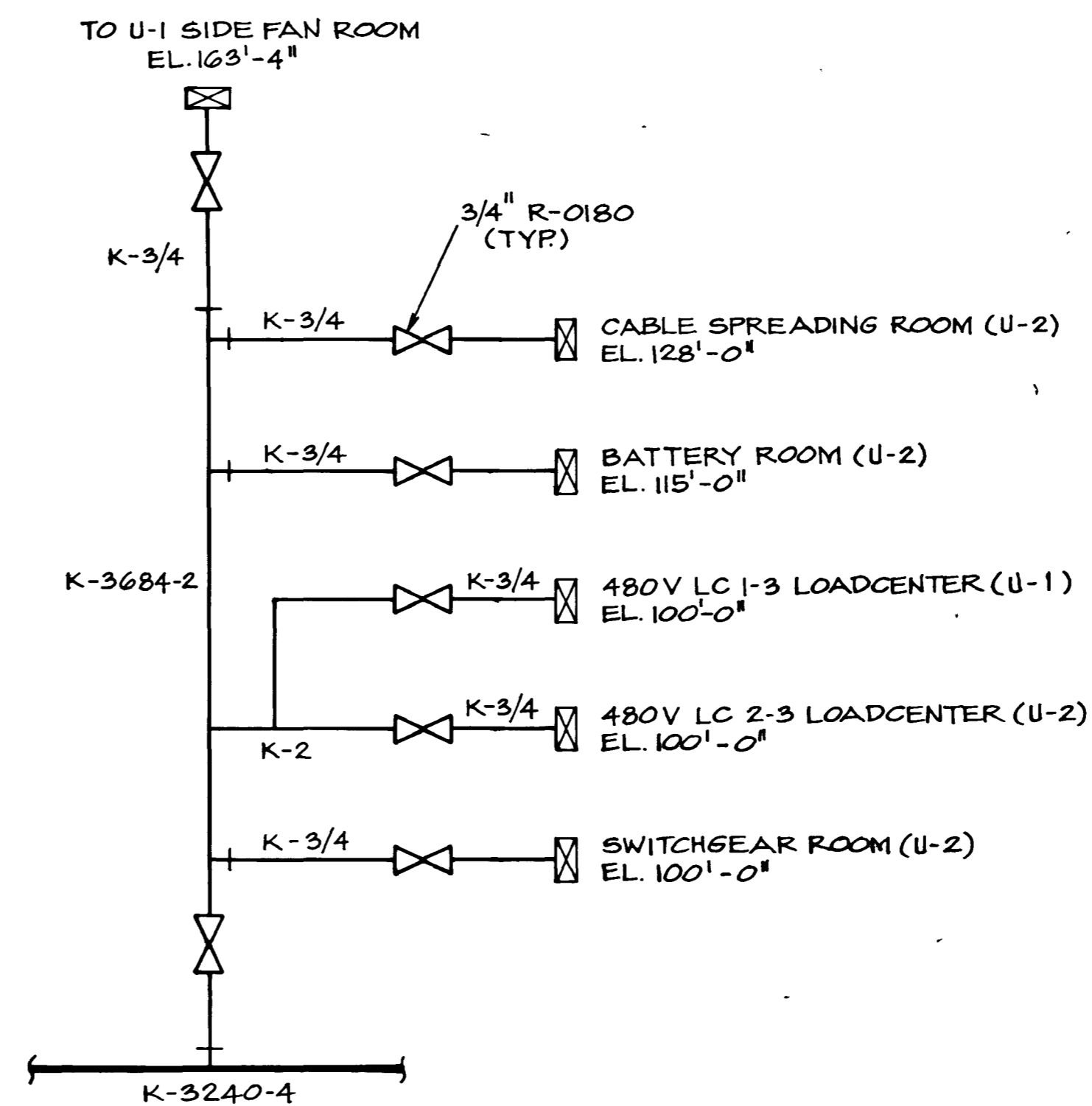
DETAIL "D"

43-E



DETAIL "E"

41-E



DETAIL "F"

63/64-A/B

UNIT 1

31

| | | |
|--------------------|----------------|-----------|
| P.G.&E. CO. | DRAWING NUMBER | REV |
| | 102025 | 31 |
| SHEET 4A OF SHEETS | | MICROFILM |

RMS INDEXED REV

SCAN 31 IC