

210

211

212

213

214

215

216

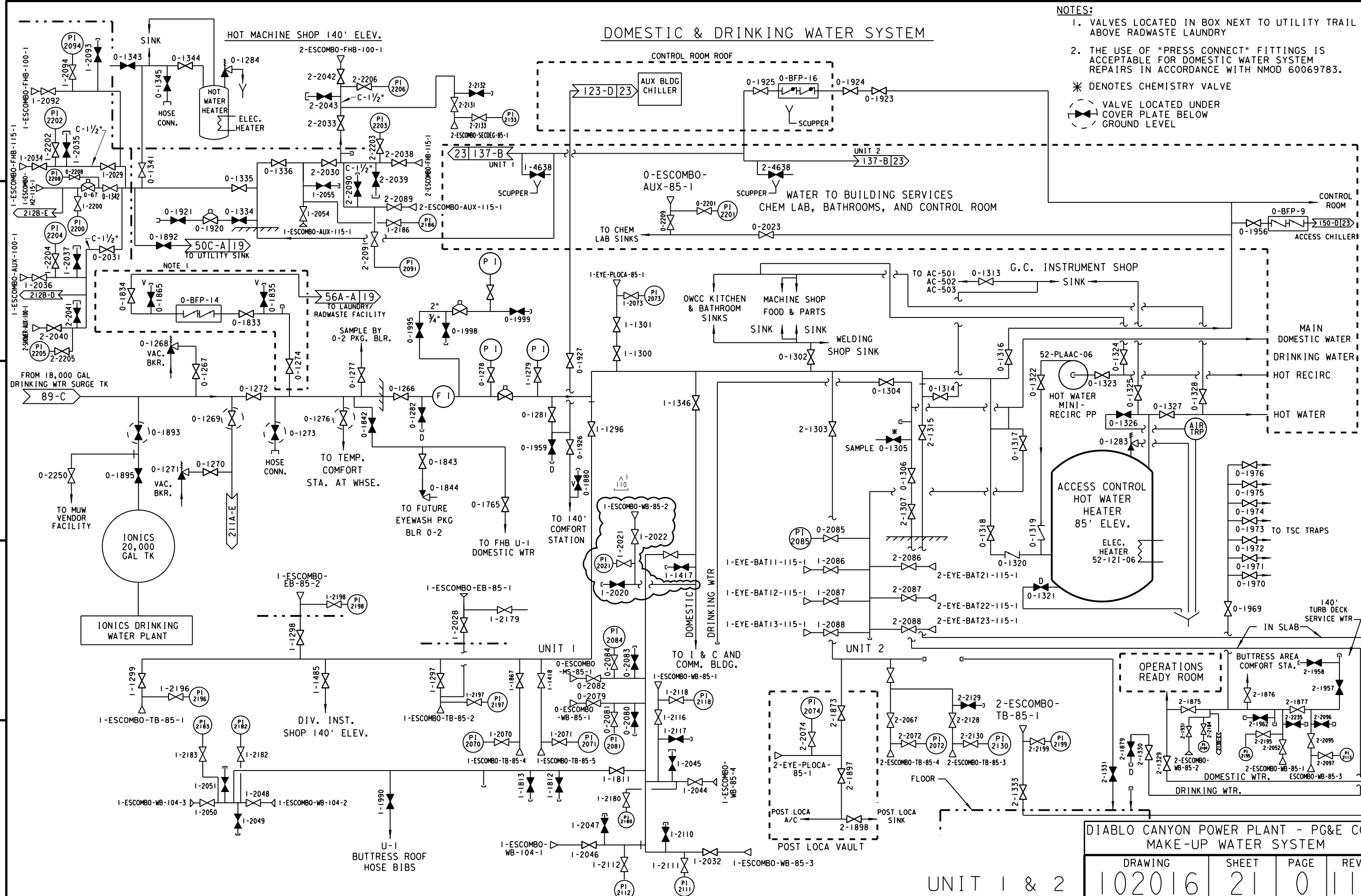
217

218

219

DOMESTIC & DRINKING WATER SYSTEM

- NOTES:**
1. VALVES LOCATED IN BOX NEXT TO UTILITY TRAIL ABOVE RADWASTE LAUNDRY
 2. THE USE OF "PRESS CONNECT" FITTINGS IS ACCEPTABLE FOR DOMESTIC WATER SYSTEM REPAIRS IN ACCORDANCE WITH NM069783.
- * DENOTES CHEMISTRY VALVE
- ⊞ VALVE LOCATED UNDER COVER PLATE BELOW GROUND LEVEL



RASTER=102016-21-0.dgn
 DGN=102016-21-0.dgn
 CAD User: ZNS4 Date: 12-05-2019

DIABLO CANYON POWER PLANT - PG&E CO.
MAKE-UP WATER SYSTEM

DRAWING	SHEET	PAGE	REV
102016	21	0	110

UNIT 1 & 2

12-05-2019	ZNS4	FXC2	N/A	NOT REQUIRED PER CF3.ID5	-	-	-	Revised Per DFT-7*4979
DATE	DWN	RE	IV	PROFESSIONAL ENGINEER	PE DISC.	PE#	PE EXP.	

INPGIC
I Size