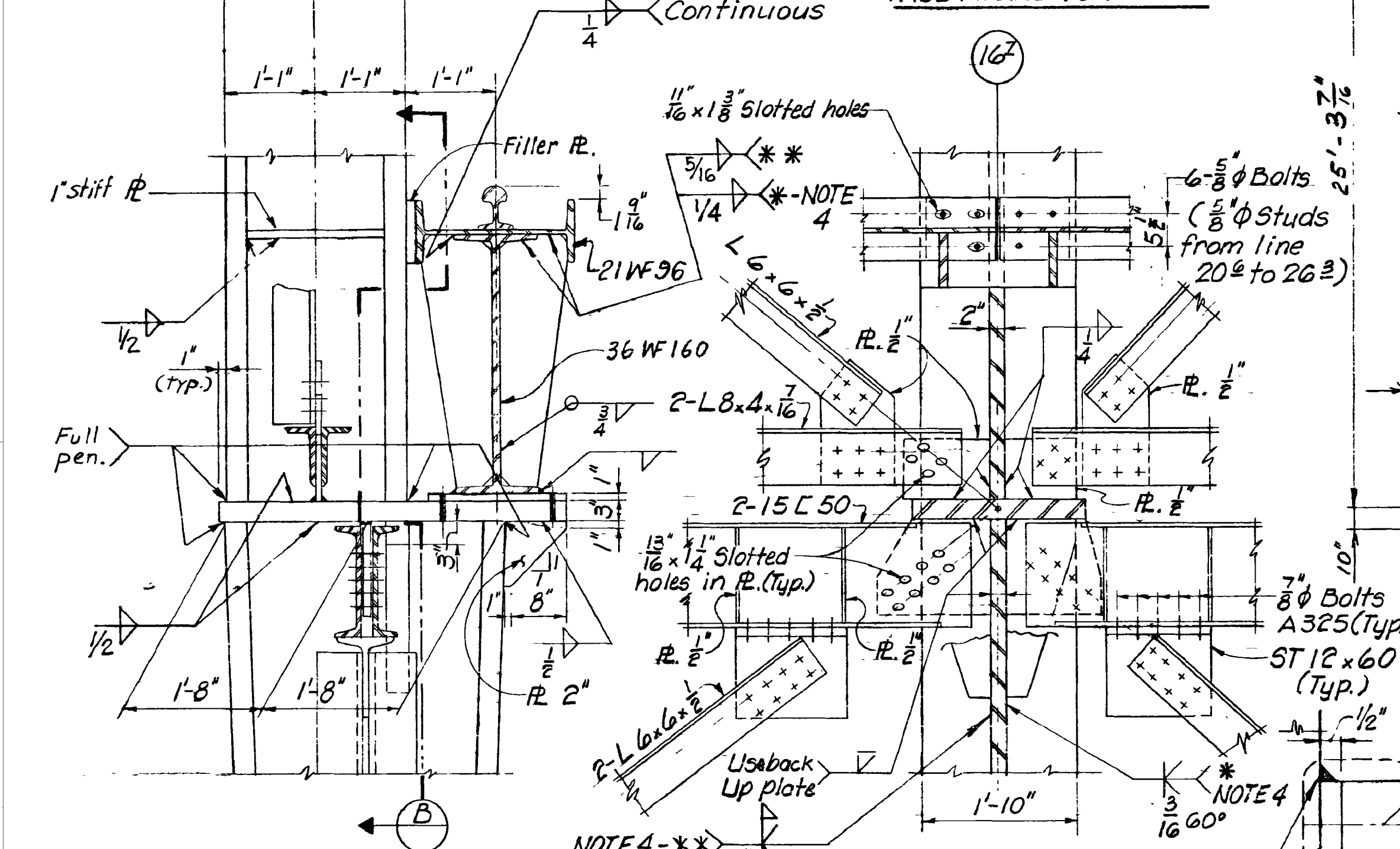


**DETAIL 1**  
Scale 3/4" = 1'-0"  
SEE DET 8 - DWG 468140,  
DET 22 - DWG 468153 AND  
DET 33 - DWG 468154  
1982 MODIFICATION

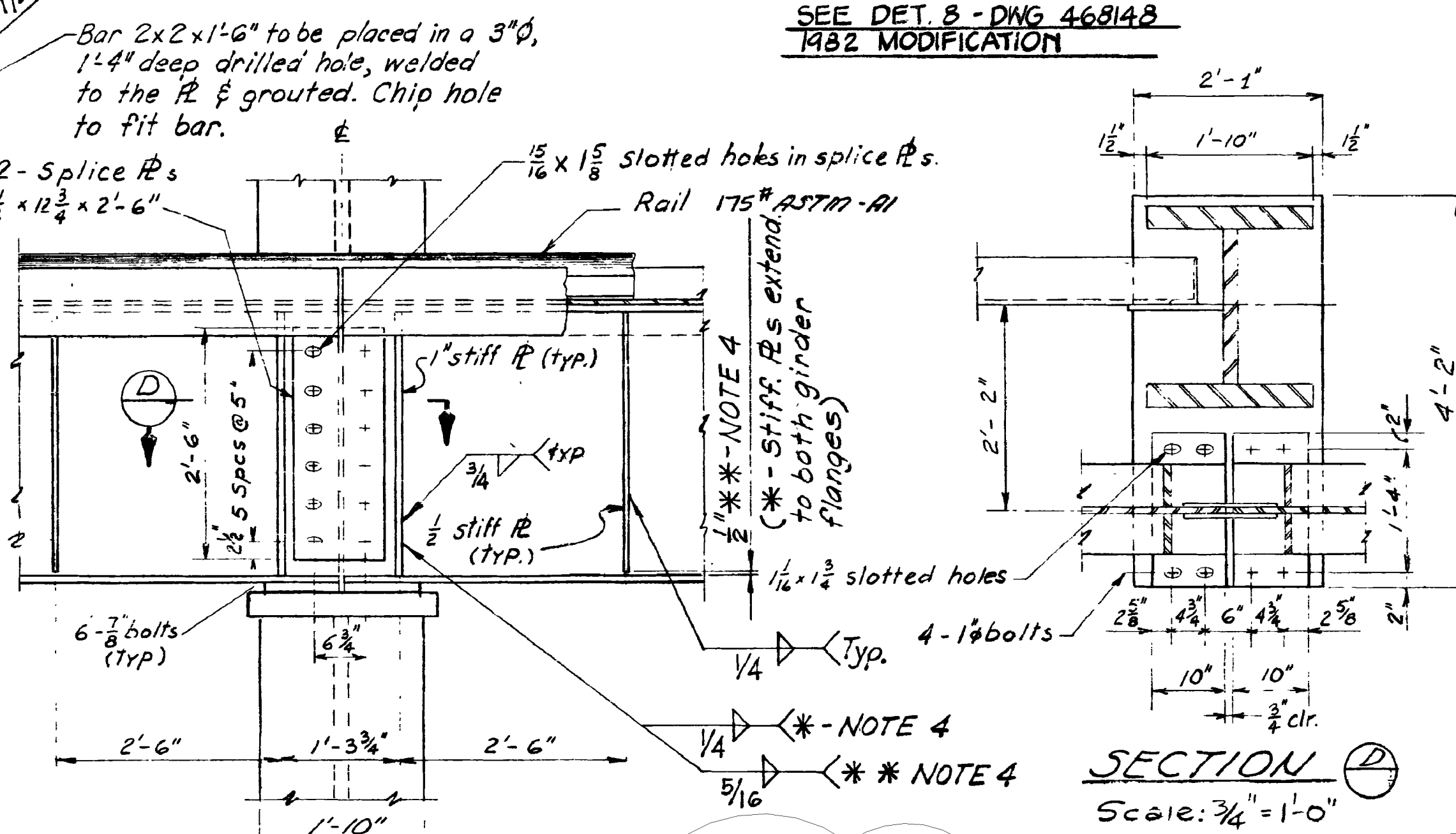
**SECTION E TYPICAL**  
Scale 3/8" = 1'-0"  
Note: All bolts in sway frames shall be 3/8" φ

**SECTION H**  
Scale 3/8" = 1'-0"



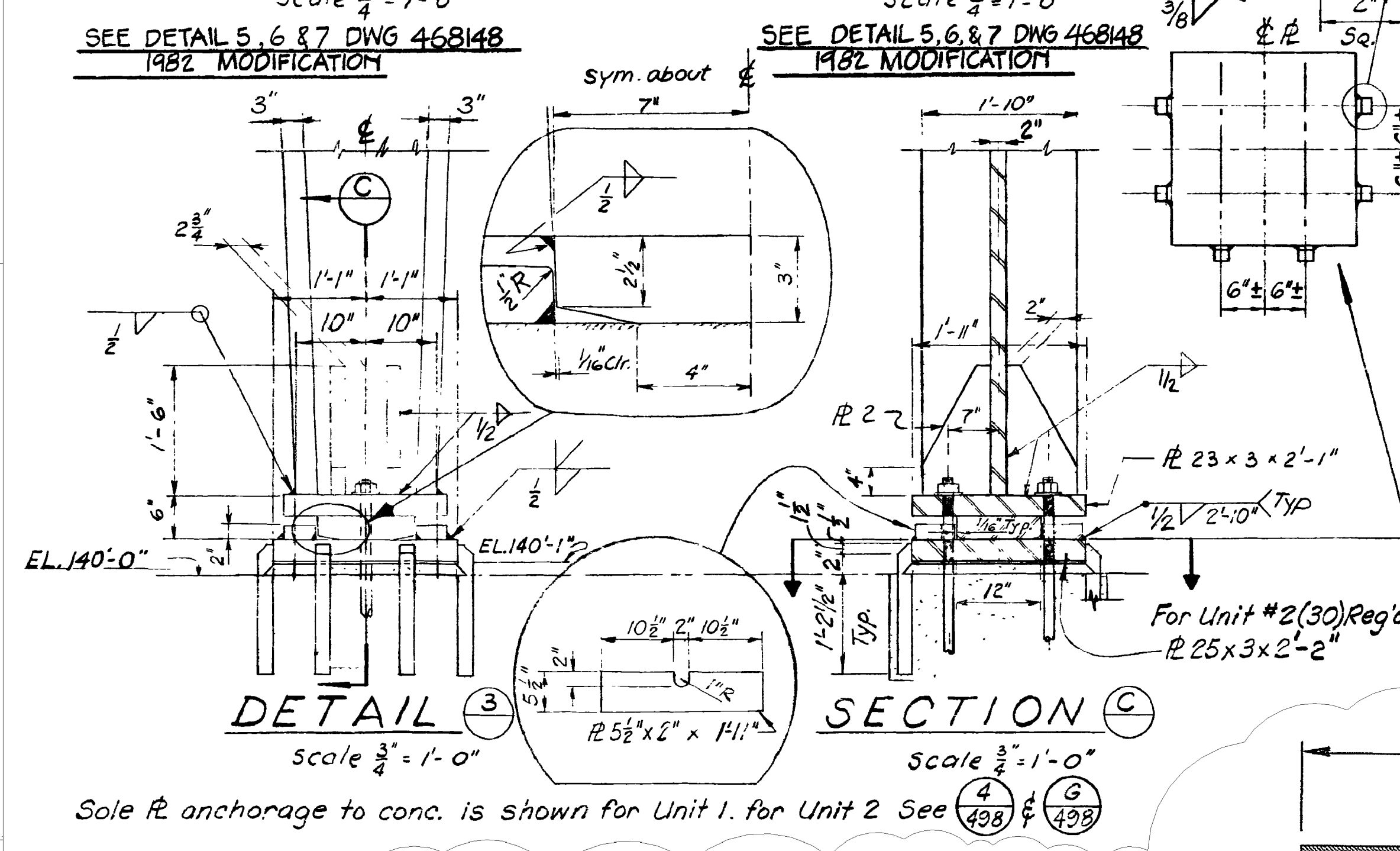
**DETAIL 2**  
Scale 3/4" = 1'-0"  
SEE DETAIL 5, 6 & 7 DWG 468148  
1982 MODIFICATION

**SECTION B**  
Scale 3/4" = 1'-0"  
SEE DETAIL 5, 6 & 7 DWG 468148  
1982 MODIFICATION



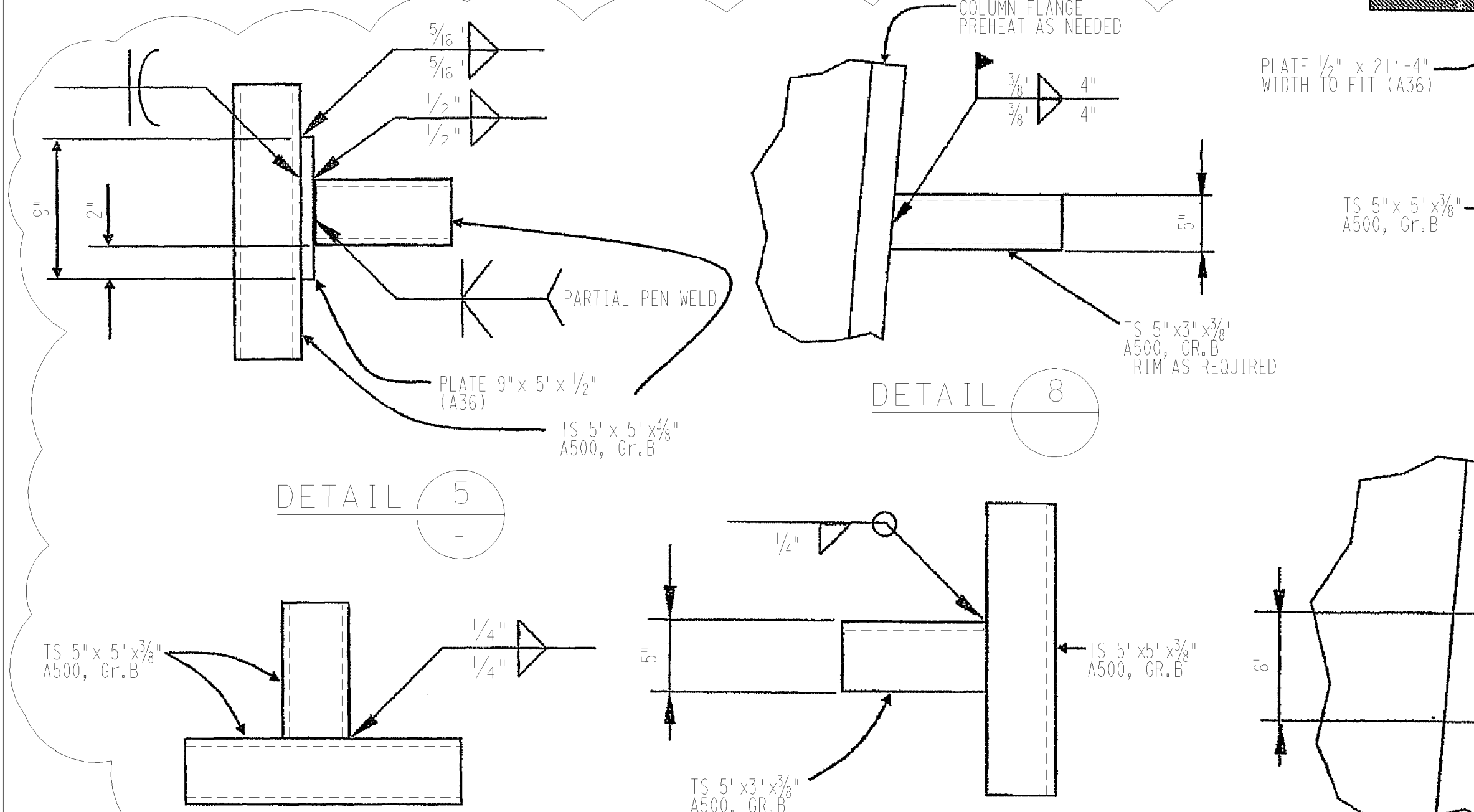
**DETAIL 3**  
Scale 3/4" = 1'-0"

**SECTION C**  
Scale 3/4" = 1'-0"



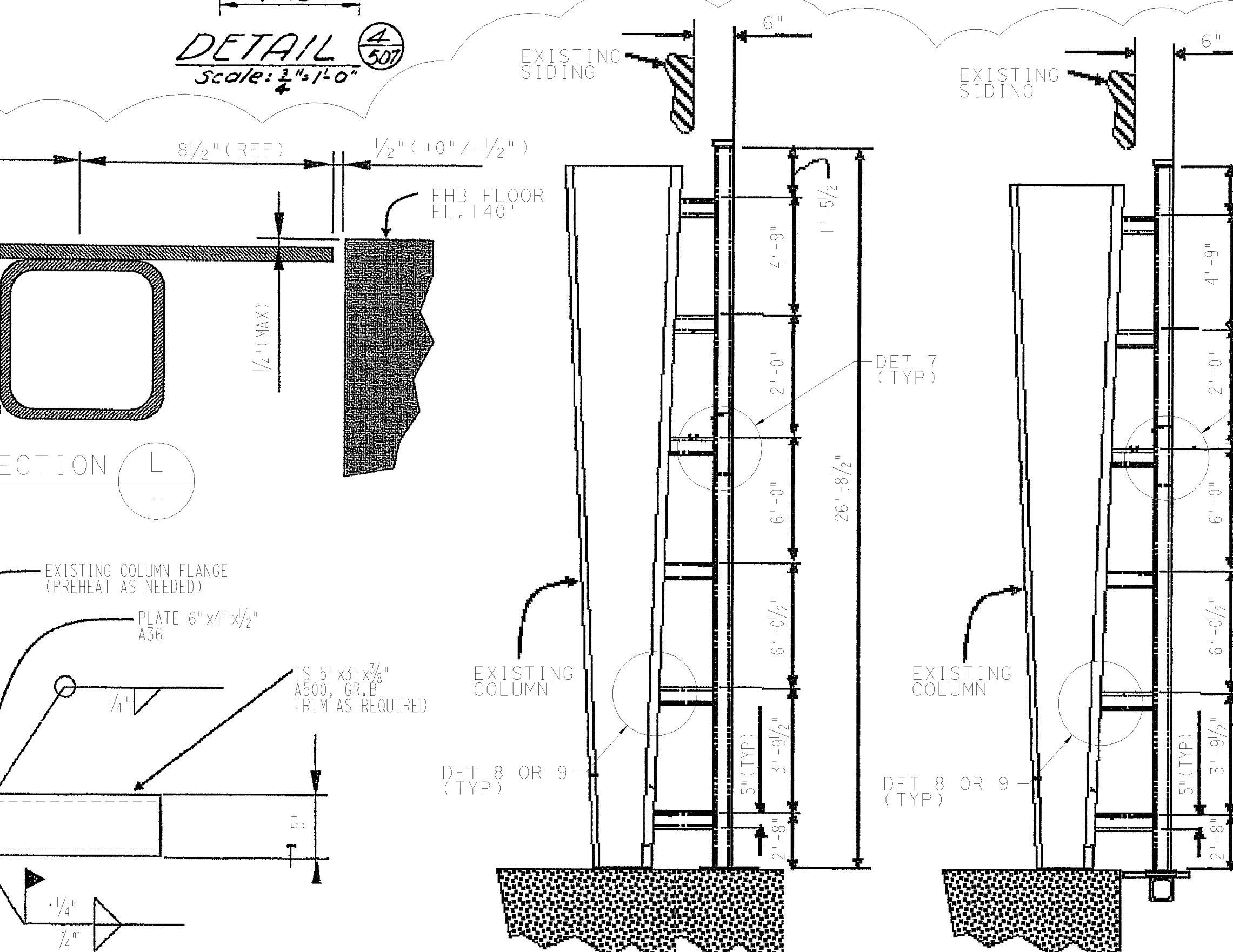
**DETAIL 4**  
Scale 3/4" = 1'-0"

**SECTION D**  
Scale 3/4" = 1'-0"



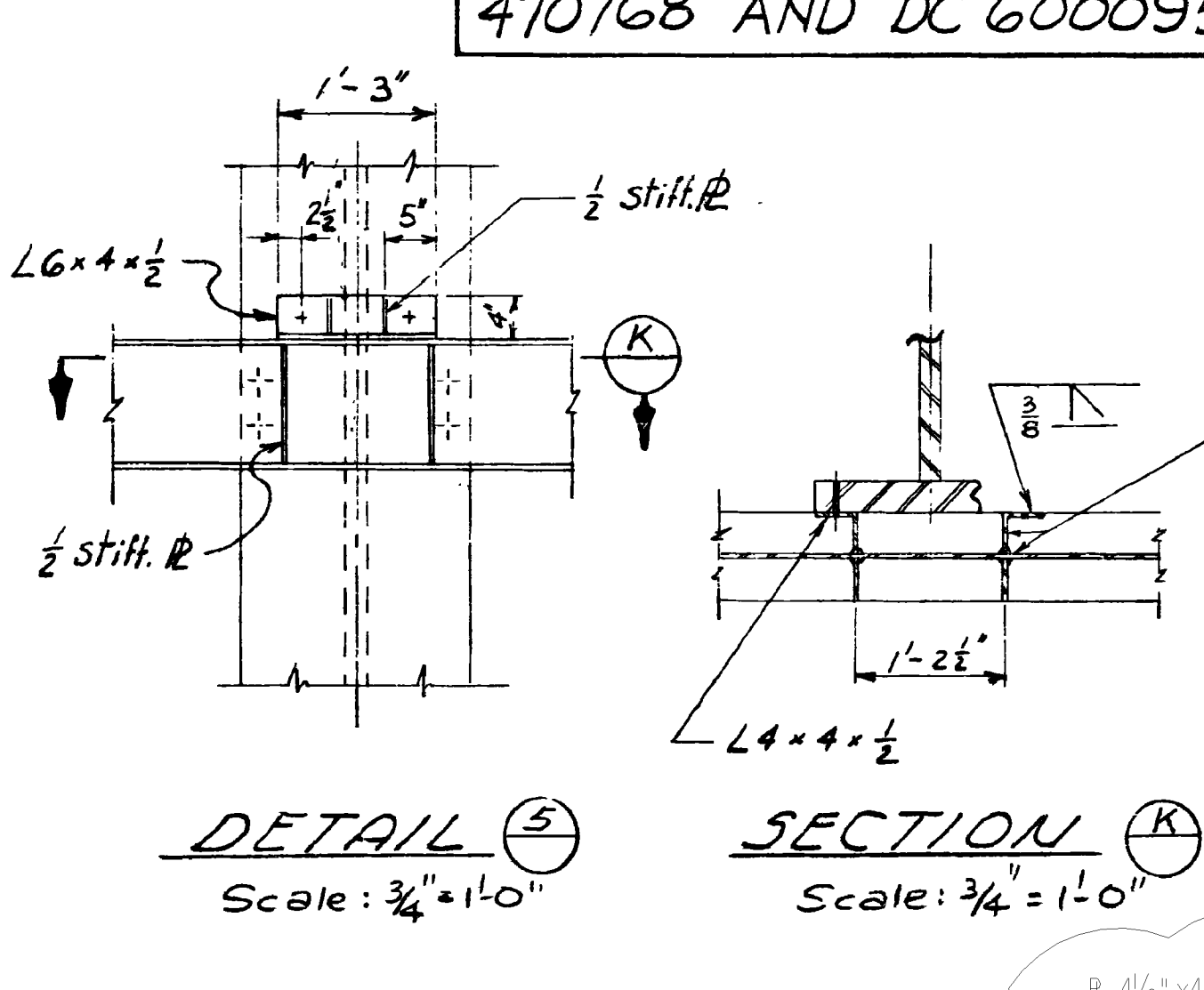
**DETAIL 5**  
Scale 3/4" = 1'-0"

**DETAIL 7**  
Scale 3/4" = 1'-0"



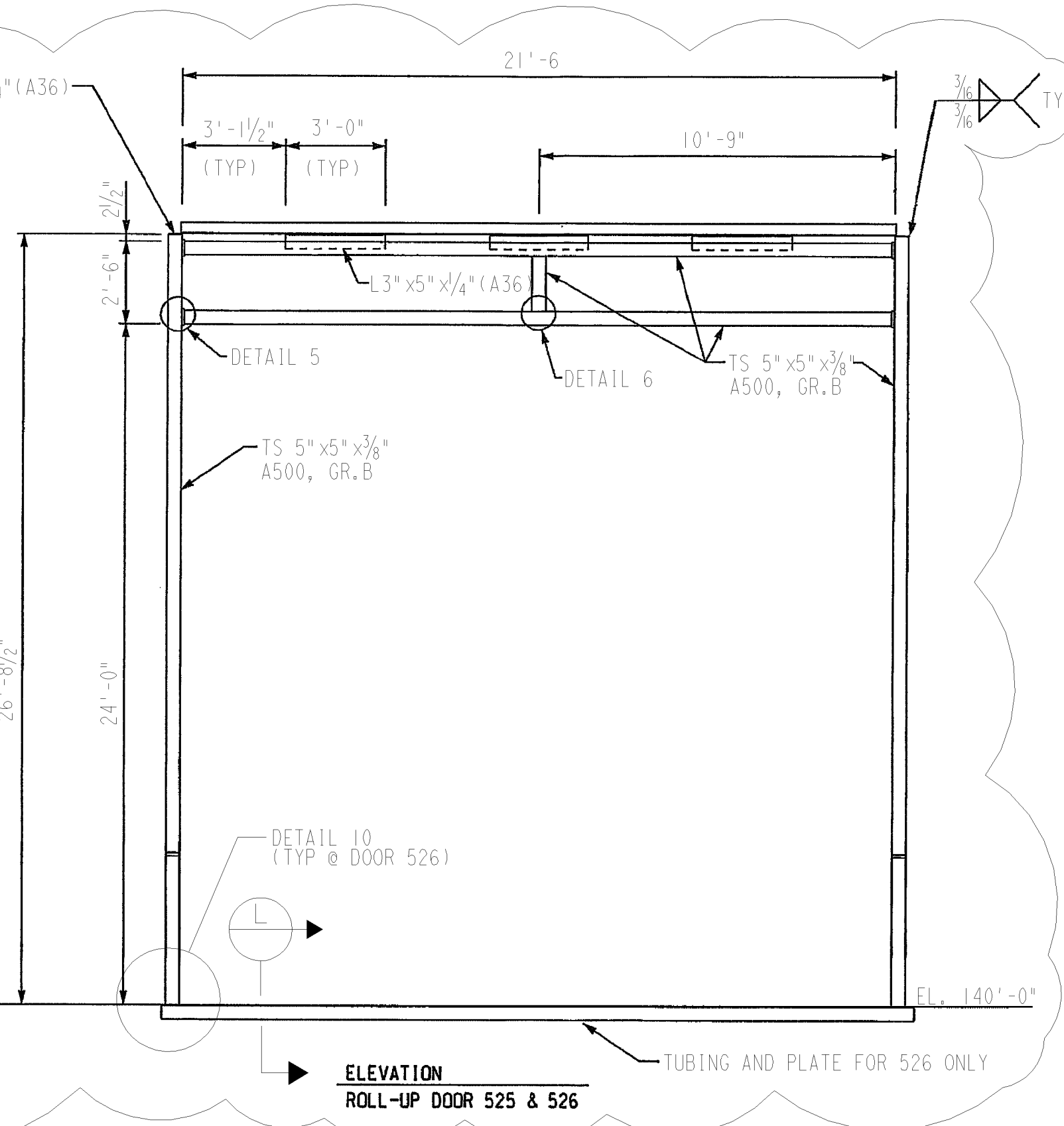
**SECTION L**  
Scale 3/4" = 1'-0"

**SECTION G**  
Scale 3/4" = 1'-0"



**DETAIL 5**  
Scale 3/4" = 1'-0"

**SECTION K**  
Scale 3/4" = 1'-0"



**SECTION F**  
Scale 3/4" = 1'-0"

FOR AS BUILT CONDITIONS  
SEE DWGS 470766, 470767,  
470768 AND DC 6000955.

**REFERENCES:**  
For References See Dwg. 439505

**NOTES:**  
1. REFER TO 663092-495 FOR AS-FOUND RAIL ALIGNMENT  
2. DELETED  
3. For additional notes see Dwg. 439505.  
4. All notations indicate this:  
\* - Structure from col. line 92 up to and including col. line 202  
\*\* - Structure from col. line 202 to col. line 262

FOR 1982 MODIFICATION SEE  
DWG 468145 THRU 468155

RASTER=439507.rsl, 6/09  
CAD User=AJFJ Date: 10-29-2009

DATE  
10-29-2009  
D.D. AJFJ  
R.E. JTS6  
I.V.  
P.E. SXMH

REVISION DESCRIPTION  
REVISED PER DFC-3+195,  
DF7+449, & DAS-6+175

CIVIL  
TYPICAL SECTIONS AND DETAILS  
CRANE SUPPORT STRUCTURE  
AUXILIARY BUILDING  
AREAS J & K  
DIABLO CANYON POWER PLANT  
PACIFIC GAS AND ELECTRIC COMPANY  
SAN FRANCISCO, CALIFORNIA

DWG SCALE:  
BILL OF MATL:  
SUPDS:  
SUPDS BY:  
DRAWING SHEET PAGE REV  
439507 1 0 7