

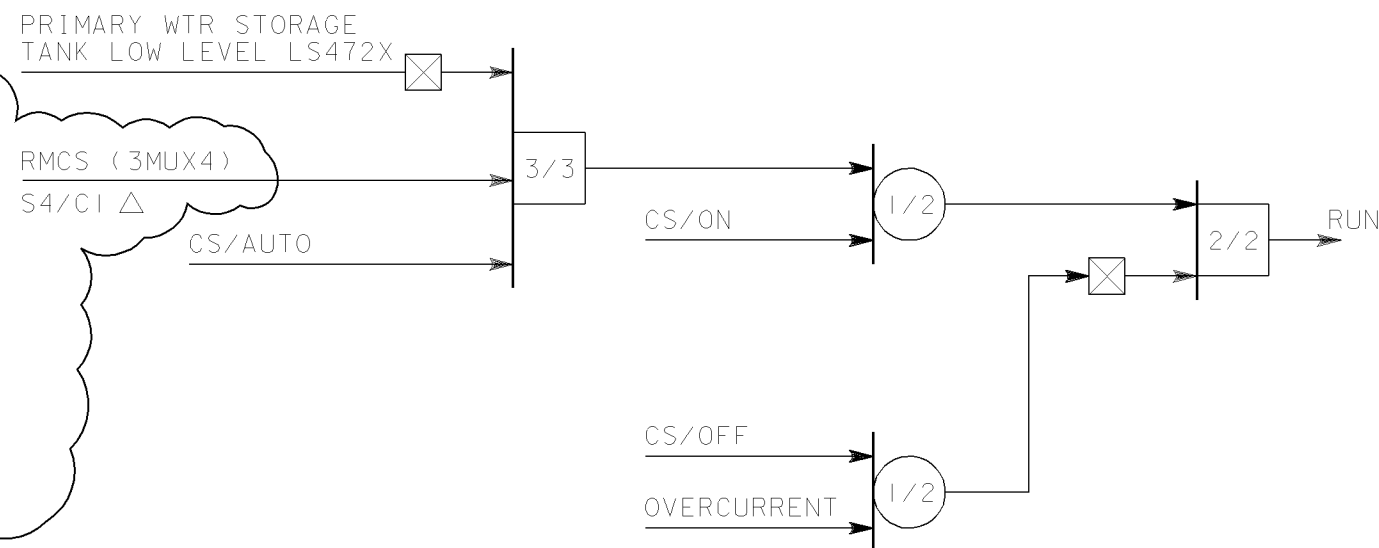
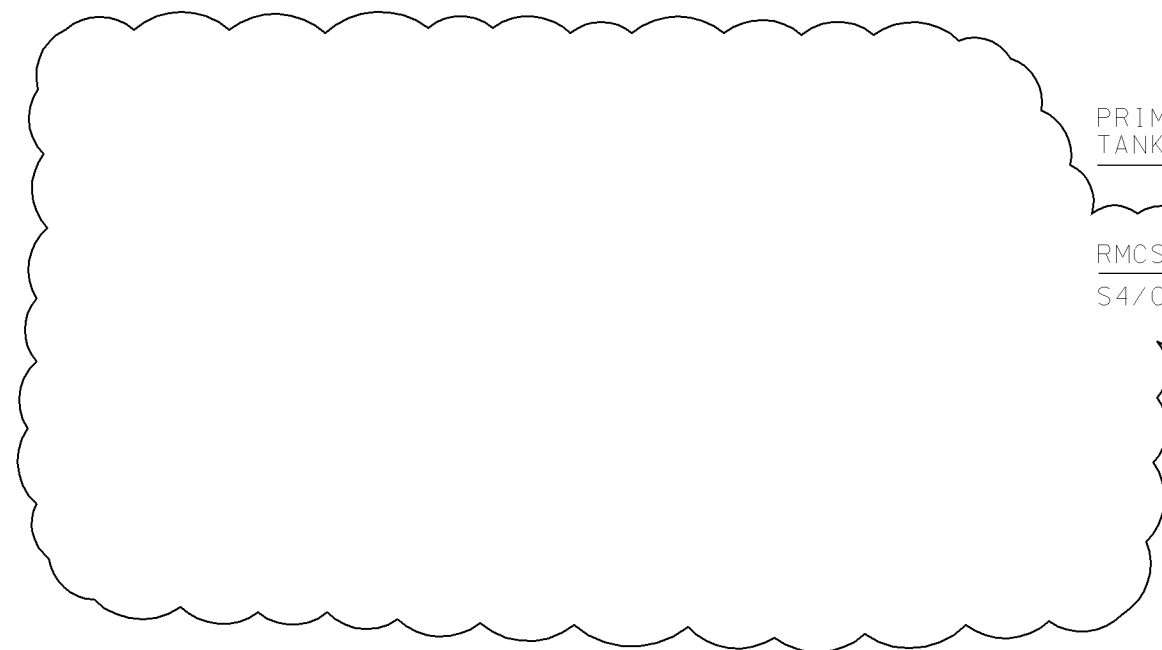
E

D

C

B

A



REFERENCE

DWG NO.

- 1. SCHEM DIAG CHEMICAL & VOLUME CONTROL SYS ----- 437597
- 2. SCHEM DIAG RC M-U SYS ----- 437596

NOTE

Δ - SIGNAL FROM RMCS-RNARB PLC OUTPUT S4/CI.

KEY DWG. SECTION 3

NUCLEAR SAFETY RELATED

UNIT 1

RASTER=19413.dgn
 DGN=19413.dgn
 CAD User:RXG2 Date:06-11-2007

DATE 06-11-2007			REVISION DESCRIPTION REVISED PER DCI-SE-049779-00		ELECTRICAL LOGIC DIAGRAM PRIMARY MAKE-UP WATER PUMPS DIABLO CANYON POWER PLANT PACIFIC GAS AND ELECTRIC COMPANY SAN FRANCISCO, CALIFORNIA			DWG SCALE:			
D. D.	RxG2		BILL OF MATL:								
R. E.	FxC2		SUPSDS:								
I. V.			SUPSD BY:								
P. E.	RWB7		DRAWING 19413	SHEET 1				PAGE 0	REV 3		