

E

D

C

B

A

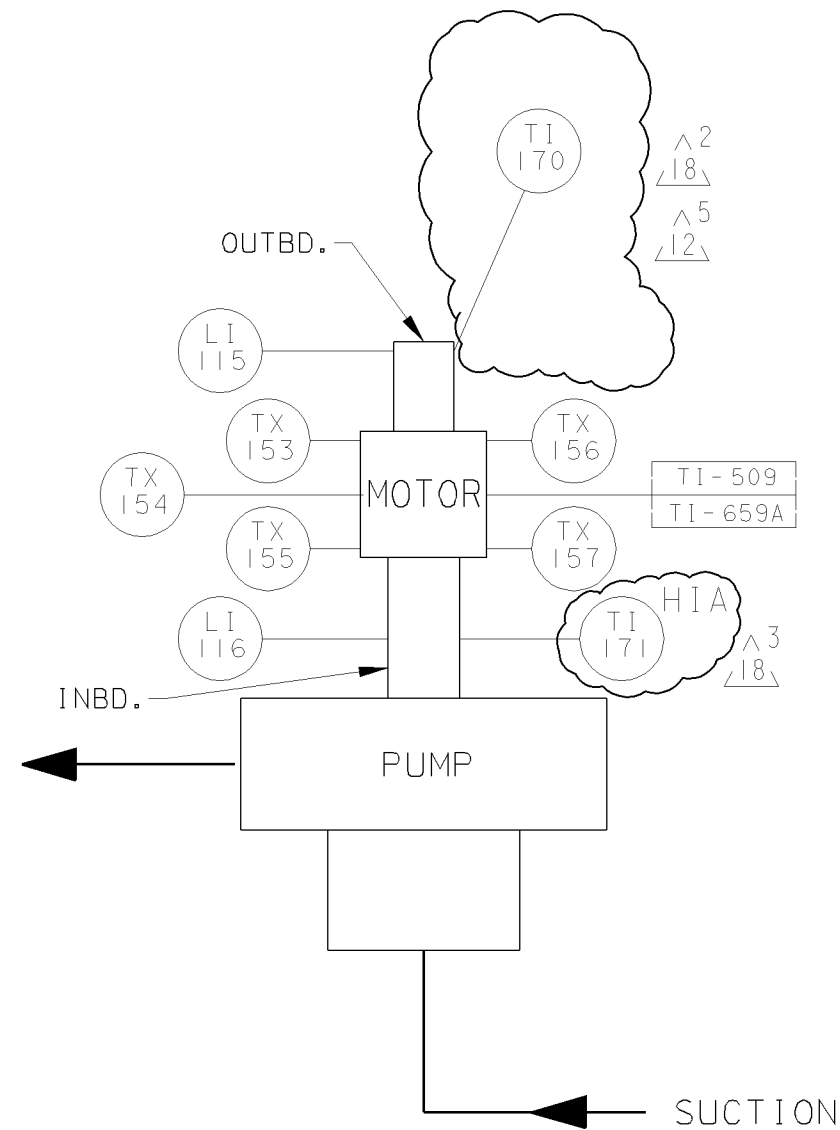
E

D

C

B

A



RESIDUAL HEAT REMOVAL
PUMP TYP.

SERVICE	PG&E INSTR. NO.	
	PUMP 1	PUMP 2
MOTOR OUTBD. BRG. TEMP. /COORD.	TI-170 148E-35	TI-172 148E-35
MOTOR INBD. BRG. TEMP.	TI-171 148E-35	TI-173
MOTOR OUTBD. L.O. GAGE	LI-115	LI-117
MOTOR INBD. L.O. GAGE	LI-116	LI-118
MOTOR STATOR TEMP.	TI-509 TO-659A	TI-514 TO-665A
MOTOR STATOR TEMP.	TX-153	TX-223
MOTOR STATOR TEMP.	TX-154	TX-224
MOTOR STATOR TEMP.	TX-155	TX-225
MOTOR STATOR TEMP.	TX-156	TX-226
MOTOR STATOR TEMP.	TX-157	TX-227

^{^3}
/17

REFERENCE DRAWING DC-663217-24

UNIT 2			
DIABLO CANYON POWER PLANT - PG&E CO. RESIDUAL HEAT REMOVAL SYSTEM			
DRAWING	SHEET	PAGE	REV
108010	5	0	18

RASTER=8010s5.dgn
DGN=8010s5.dgn
CAD User: MIBF Date:05-25-2006

INPG1C
1 Size

05-25-2006	MIBF	RMDI		KERSI J. DALAL	MECHANICAL	M 16690	3/31/2008	REVISED PER DC2-SJ-044087-00 AND DC2-SJ-048036-00
DATE	DWN	RE	IV	PROFESSIONAL ENGINEER	PE DISC.	PE#	PE EXP.	