

30B

31B

32B

33B

34B

35B

36B

37B

38B

39B

E

D

C

B

A

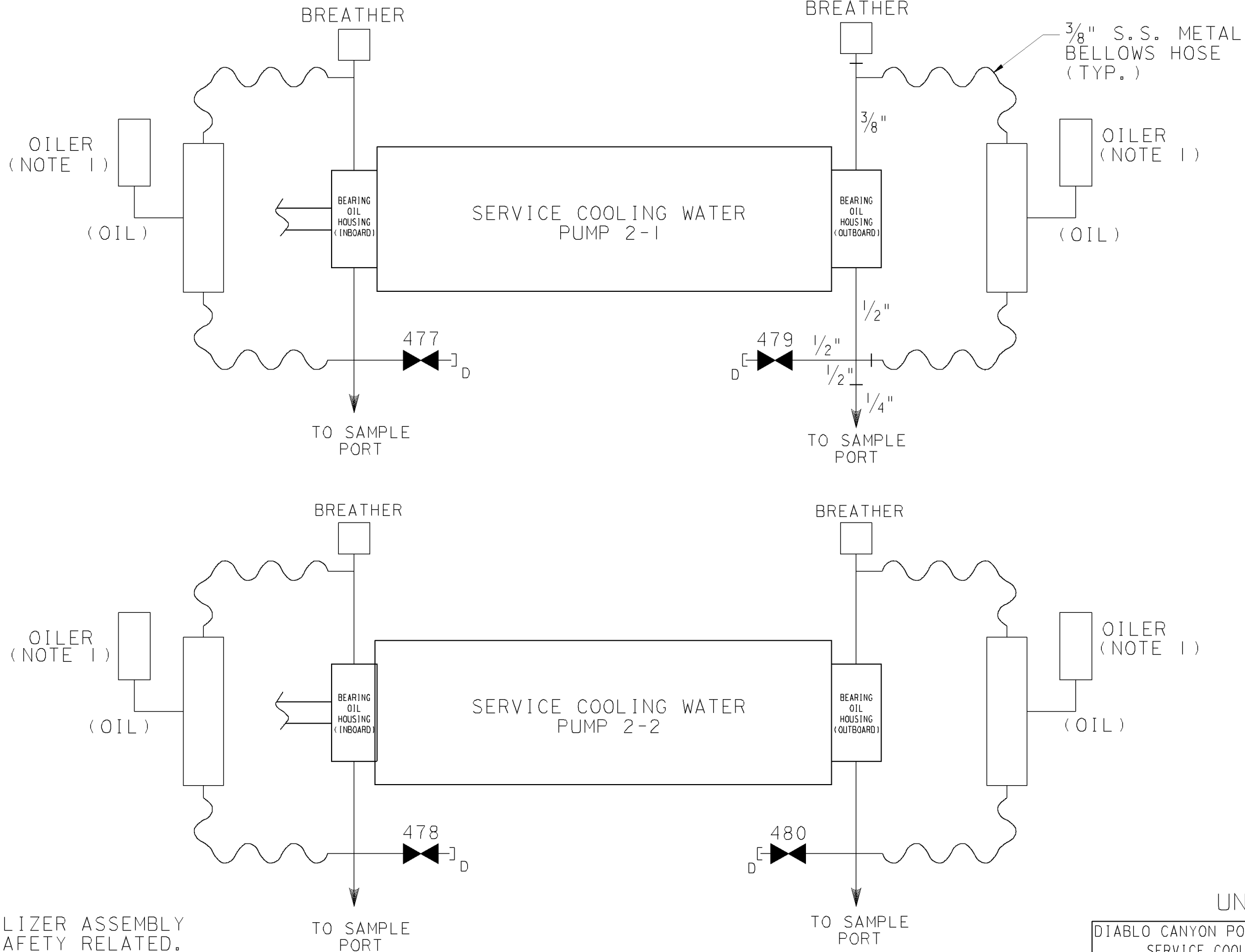
E

D

C

B

A



NOTES:

- 1. OIL LEVELIZER ASSEMBLY IS NON-SAFETY RELATED.
- 2. SEE DRAWING #068845-1 FOR ADDITIONAL DETAILS.

UNIT 2

DIABLO CANYON POWER PLANT - PG&E CO.
SERVICE COOLING WATER SYSTEM

DRAWING	SHEET	PAGE	REV
108015	3B	0	1

RASTER=108015s3B.dgn
DGN=108015s3B.dgn
CAD User: AJFJ Date: 05-25-2011

INPG1C
1 Size

05-25-2011	AJFJ	Fxc2		KERSI J. DALAL	MECHANICAL	M 16690	3/31/2012	INITIAL ISSUE PER DFT-7*1184
DATE	DWN	RE	IV	PROFESSIONAL ENGINEER	PE DISC.	PE#	PE EXP.	