

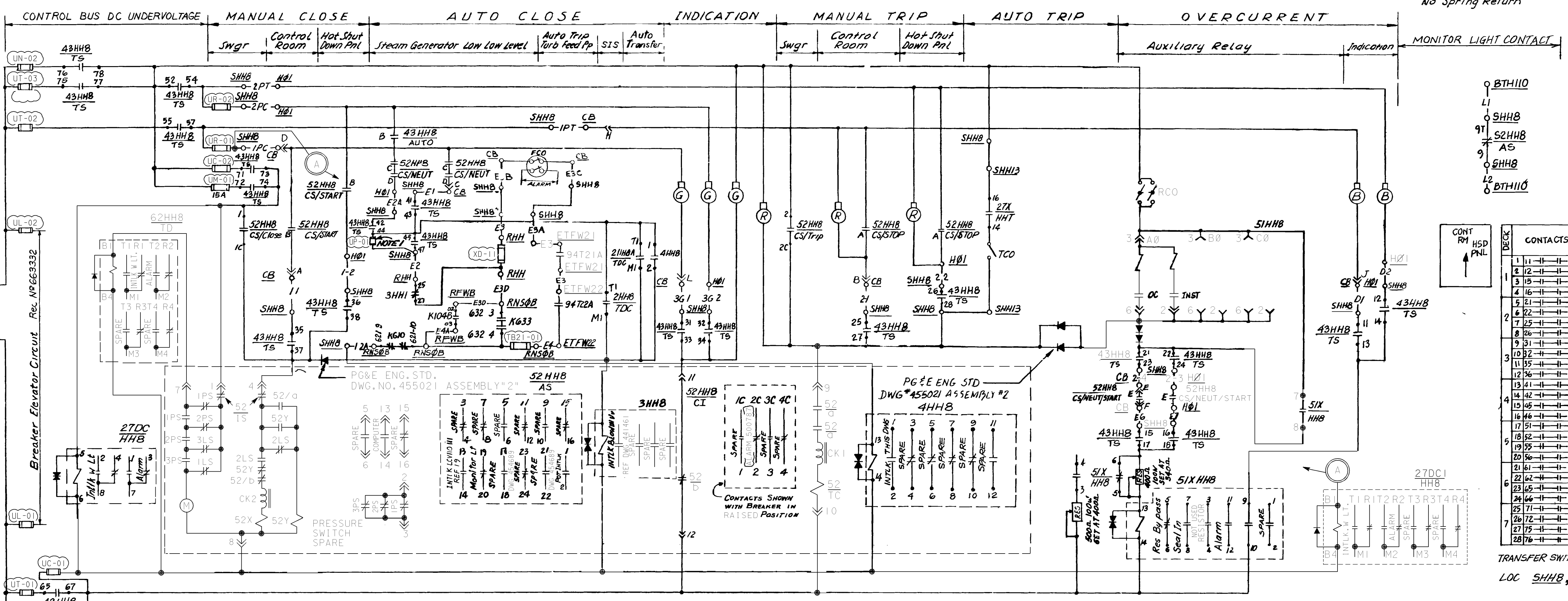
CONTACTS POSITION table with columns for A, INT, B, INT, C and rows for various contact sets.

CONTROL SWITCH table with columns for CONTACTS, POSITION (TRIP, AFTER, CLOSE), and REMARKS.

CONTROL SWITCH table with columns for CONTACTS, POSITION (STOP, NEUT, START), and REMARKS.

MODE SELECTOR SWITCH table with columns for CONTACTS, POSITION (AUTO, MANUAL), and REMARKS.

TABLE OF DEVICES listing device numbers, functions, ratings, manufacturers, and remarks.



CONTACTS POSITION table with columns for CONTACTS, POSITION (CONT, INT, HSD, PNL), and REMARKS.

125V DC CONTROL SCHEMATIC AUXILIARY FEEDWATER PUMP #22 CIRCUIT NO H08H00

AMSAC SYSTEM table with columns for MOTOR, MOTOR LOC, DEVICE, LOC, and various system parameters.

- NOTE: 1 FUSE PROVIDES ISOLATION FOR CABLE SPREADING ROOM FIRE WHEN TRANSFERRED TO HSD PANEL. EQUIPMENT LOCATION NUMBERS. REFERENCES.